



US00D387486S

United States Patent [19]

Jordan et al.

[11] Patent Number: **Des. 387,486**

[45] Date of Patent: ****Dec. 9, 1997**

- [54] **COMBINATION HAIR CLASP AND ORNAMENT HOLDER**
- [75] Inventors: **Gina M. Jordan; Tracie L. Eakin,**
both of Flower Mound; **Tomima L. Edmark,** Dallas, all of Tex.
- [73] Assignee: **The Topsytail Company,** Dallas, Tex.
- [**] Term: **14 Years**
- [21] Appl. No.: **26,161**
- [22] Filed: **Jul. 21, 1994**
- [51] LOC (6) Cl **28-03**
- [52] U.S. Cl. **D28/42**
- [58] Field of Search **D28/39-42; D11/201,**
D11/202; 132/273, 275-279; 24/3.1, 5,
6, 12

1,353,912	9/1920	Kelley .	
1,480,935	1/1924	Gleason	132/278
1,808,156	6/1931	Burns	132/275
1,863,878	6/1932	Riley	24/5
1,965,152	7/1934	Murray	24/6
2,047,825	7/1936	Johnson, et al.	24/6
2,272,514	2/1942	Davis .	
2,661,748	12/1953	Racho .	
4,991,607	2/1991	Chen	132/278
5,238,044	8/1993	Gilley et al. .	
5,259,405	11/1993	Hua-Chou	D28/42 X
5,318,054	6/1994	Neilson et al.	132/273
5,379,783	1/1995	Healzer et al.	132/275 X
5,398,705	3/1995	Hiltbrand et al.	132/275

[56] **References Cited**

U.S. PATENT DOCUMENTS

D. 26,504	1/1897	Postert	24/6 X
D. 39,554	9/1908	Farrell	D28/42
D. 93,176	8/1934	Murray	D11/75
D. 121,818	8/1940	Marrow	D11/143 X
D. 141,169	5/1945	Petitta	D29/39
D. 144,284	4/1946	Behr	D28/42
D. 178,226	7/1956	Ernhouse	D28/39
D. 343,508	1/1994	Jones	D2/606
D. 348,121	6/1994	Park	D28/40
381,692	4/1888	Graham	24/12 X
401,649	4/1889	Hackett .	
497,065	5/1893	Veal	24/12
565,884	8/1896	Emmons .	
651,764	6/1900	Mullinix	132/275
672,816	4/1901	Bassett	132/275
717,499	12/1902	Gouy .	
818,468	4/1906	Regan .	
926,450	6/1909	Yoemans .	
979,422	12/1910	Burke	132/280
1,007,586	10/1911	Martin	132/275
1,039,910	10/1912	Degenhart	132/275 X
1,055,428	3/1913	Stone	132/275 X
1,077,345	11/1913	Hines et al. .	
1,091,936	3/1914	Lange	132/275
1,221,172	4/1917	Hamilton	132/275 X
1,255,348	2/1918	Stone .	
1,316,981	9/1919	Singer .	

FOREIGN PATENT DOCUMENTS

396429	1/1909	France	132/275
472857	12/1914	France .	
537622	3/1922	France	132/275
543333	9/1922	France	132/275
2748601	5/1979	Germany	132/277
10831	5/1893	United Kingdom	24/12
200829	2/1924	United Kingdom .	

OTHER PUBLICATIONS

Newspaper article, John Taylor, "Woman's Barrette Has a Twist", Jan. 15, 1994, Omaha, Nebraska, World Herald, Morning Edition.

Primary Examiner—Catherine Tuttle
Attorney, Agent, or Firm—Baker & Botts, L.L.P.

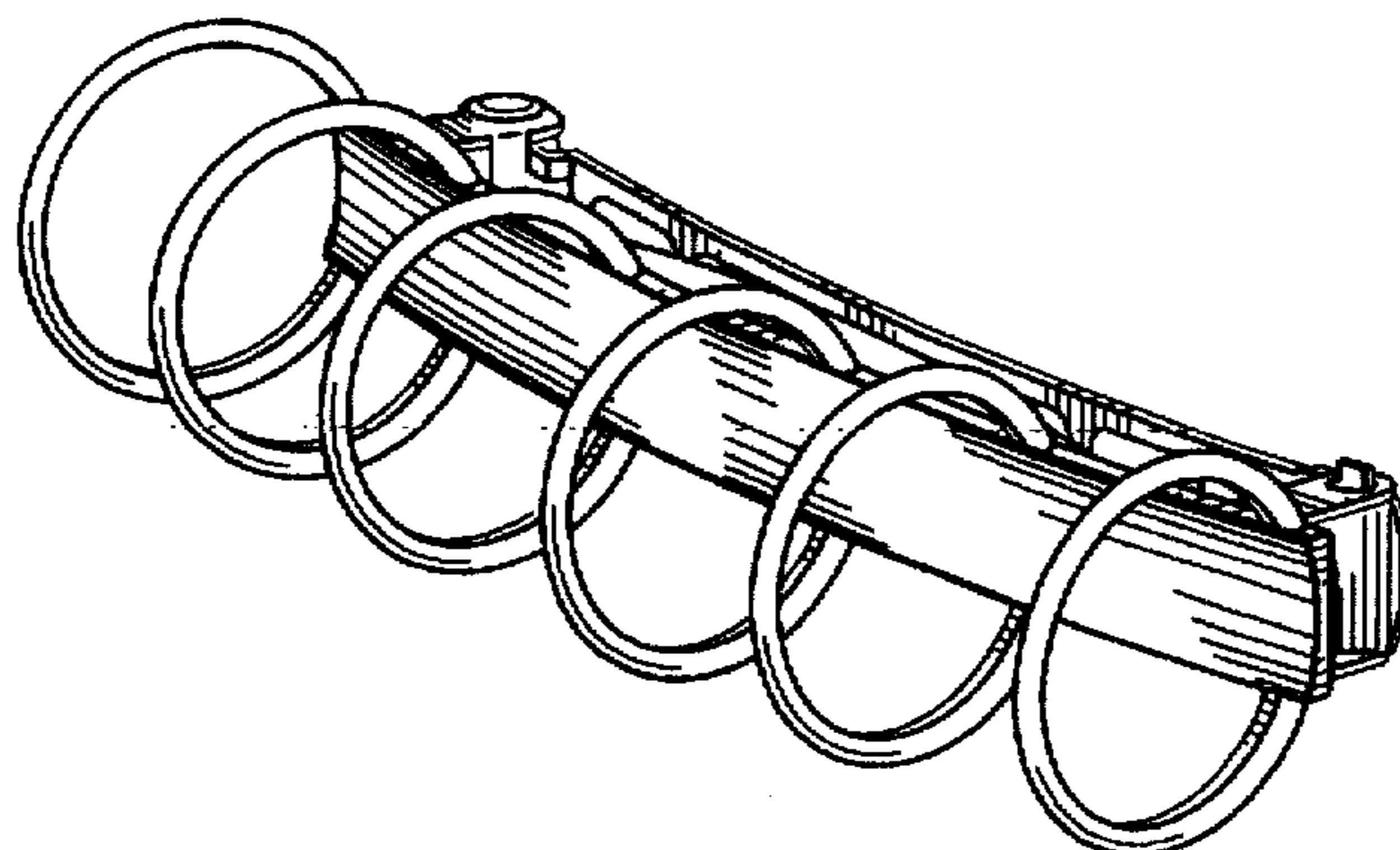
[57] **CLAIM**

The ornamental design for a combination hair clasp and ornament holder, as shown.

DESCRIPTION

FIG. 1 is a perspective view of a combination hair clasp and ornament holder showing our new design;
FIG. 2 is a side elevational view thereof;
FIG. 3 is a top plan view thereof;
FIG. 4 is an inverted elevational view of the opposite side of FIG. 2;
FIG. 5 is a left end elevational view thereof;
FIG. 6 is a right end elevational view thereof; and,
FIG. 7 is a bottom plan view thereof.

1 Claim, 1 Drawing Sheet



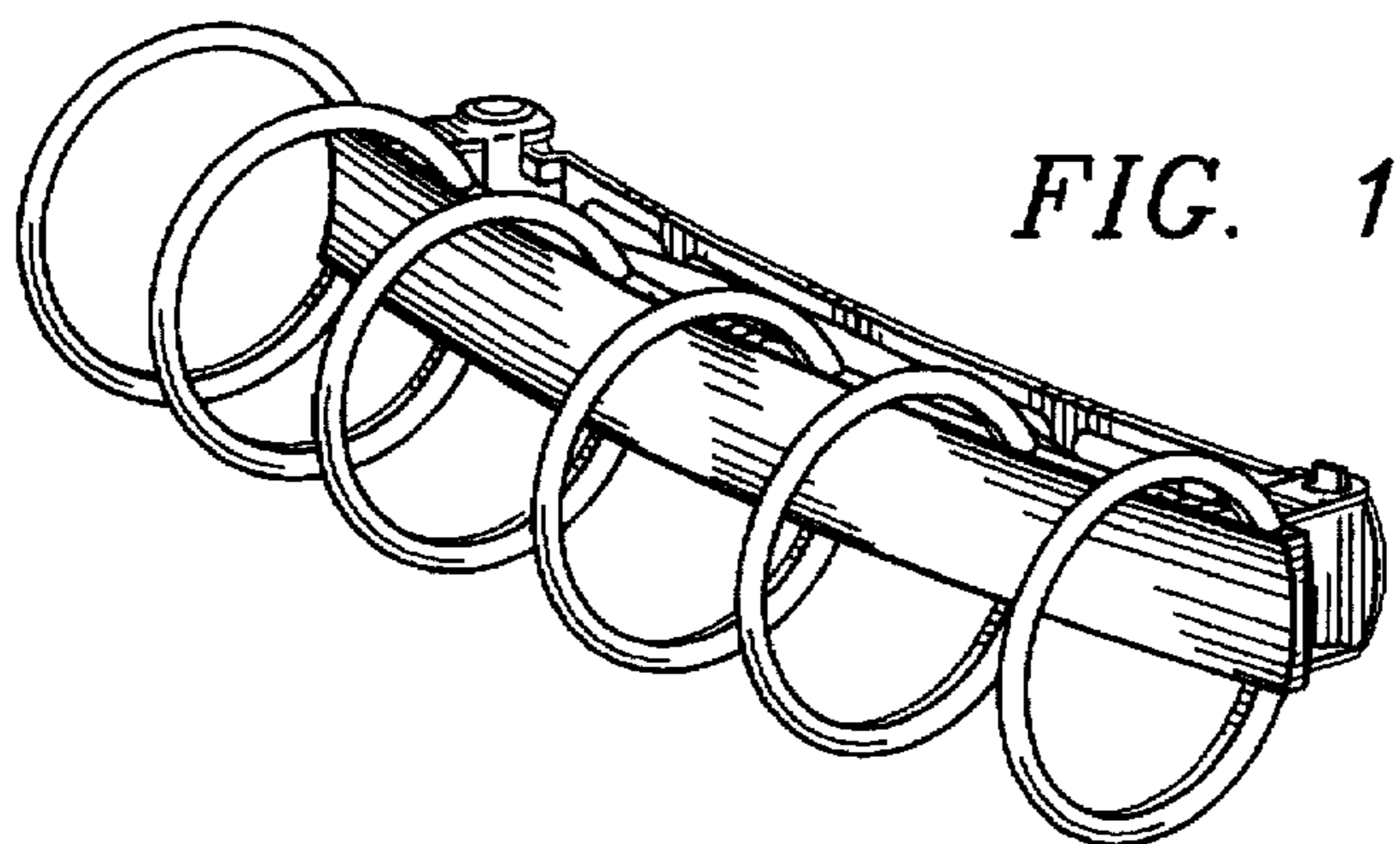


FIG. 1

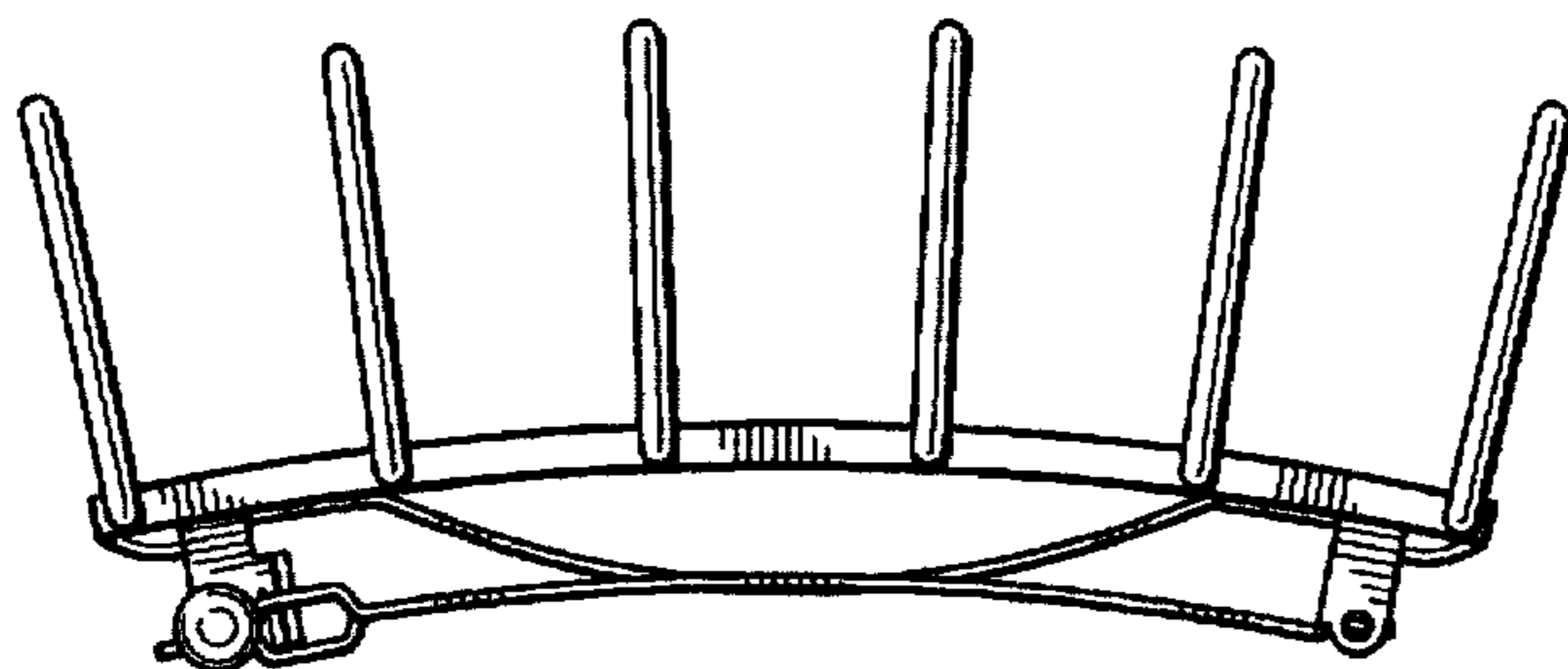


FIG. 2

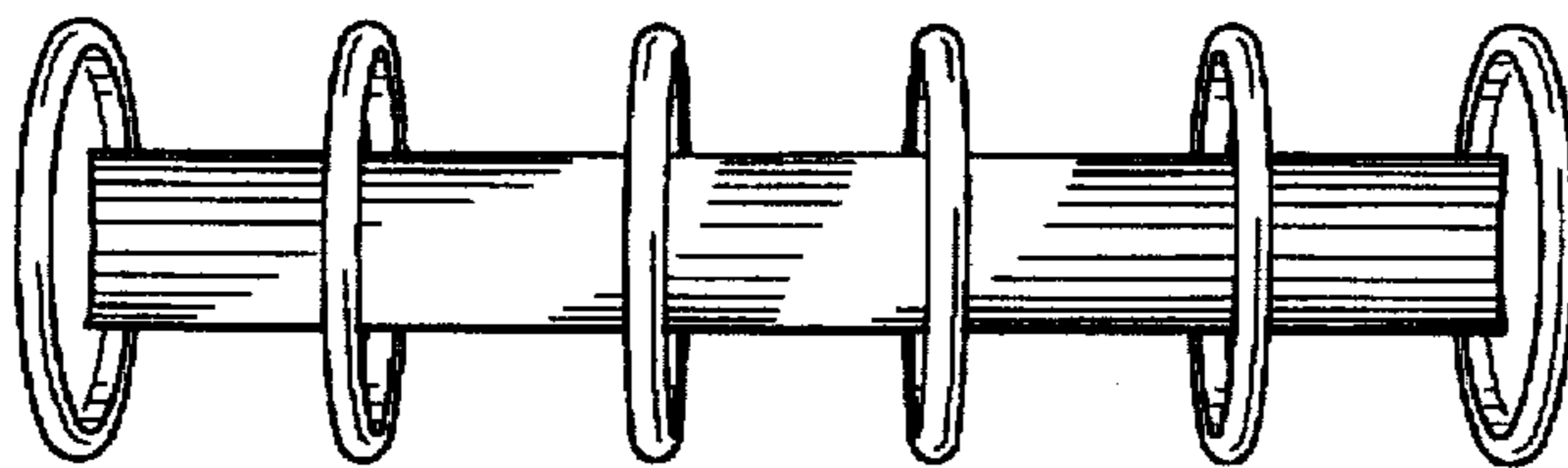


FIG. 3

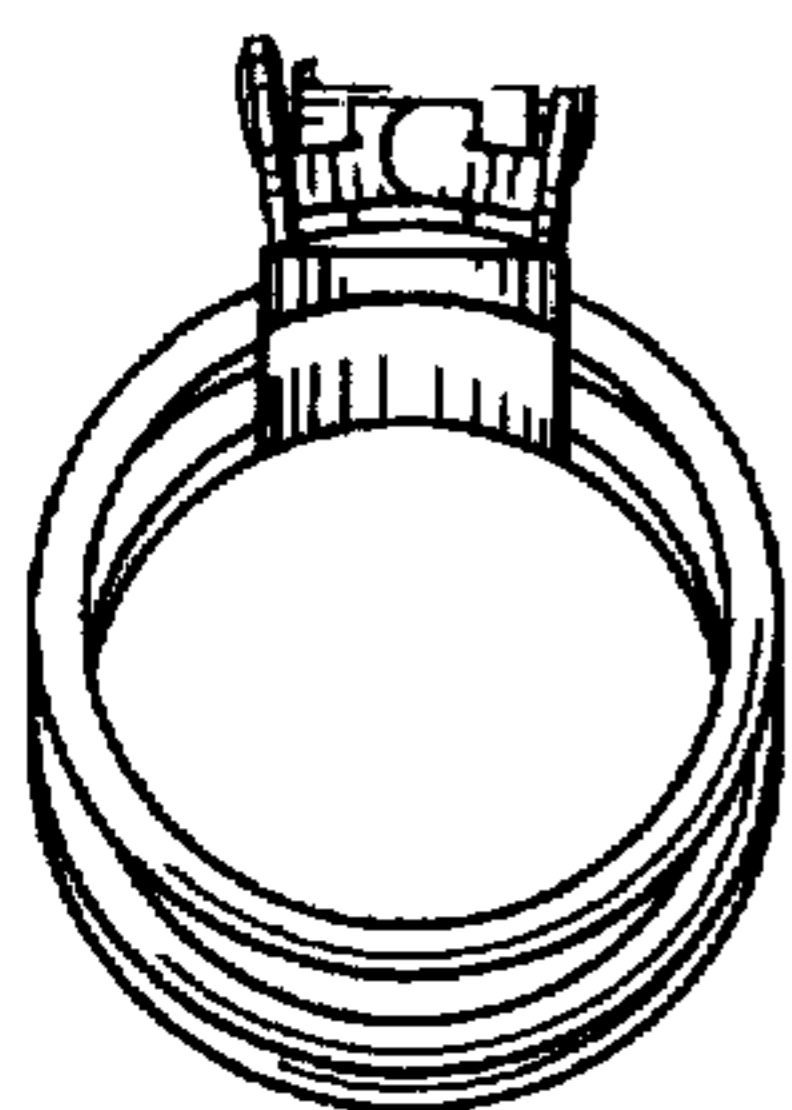


FIG. 5

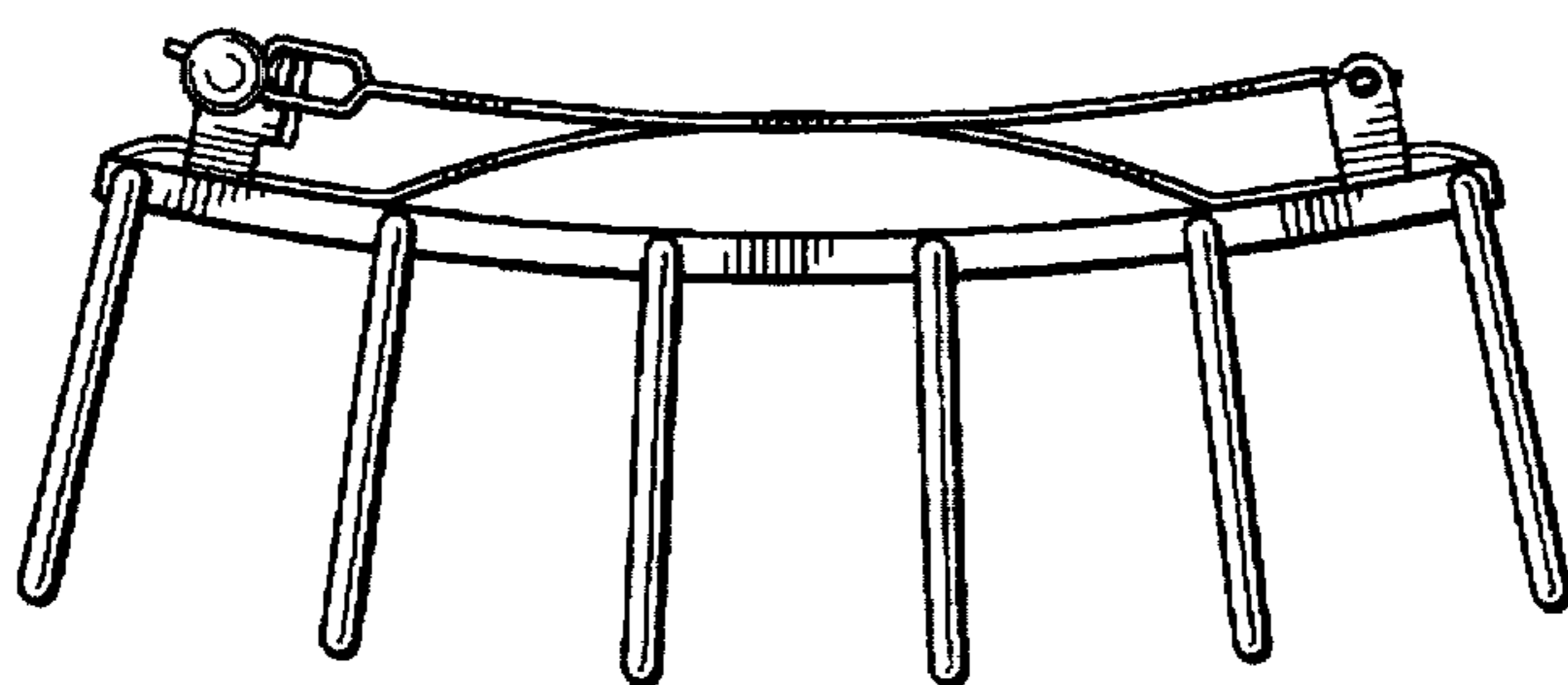


FIG. 4

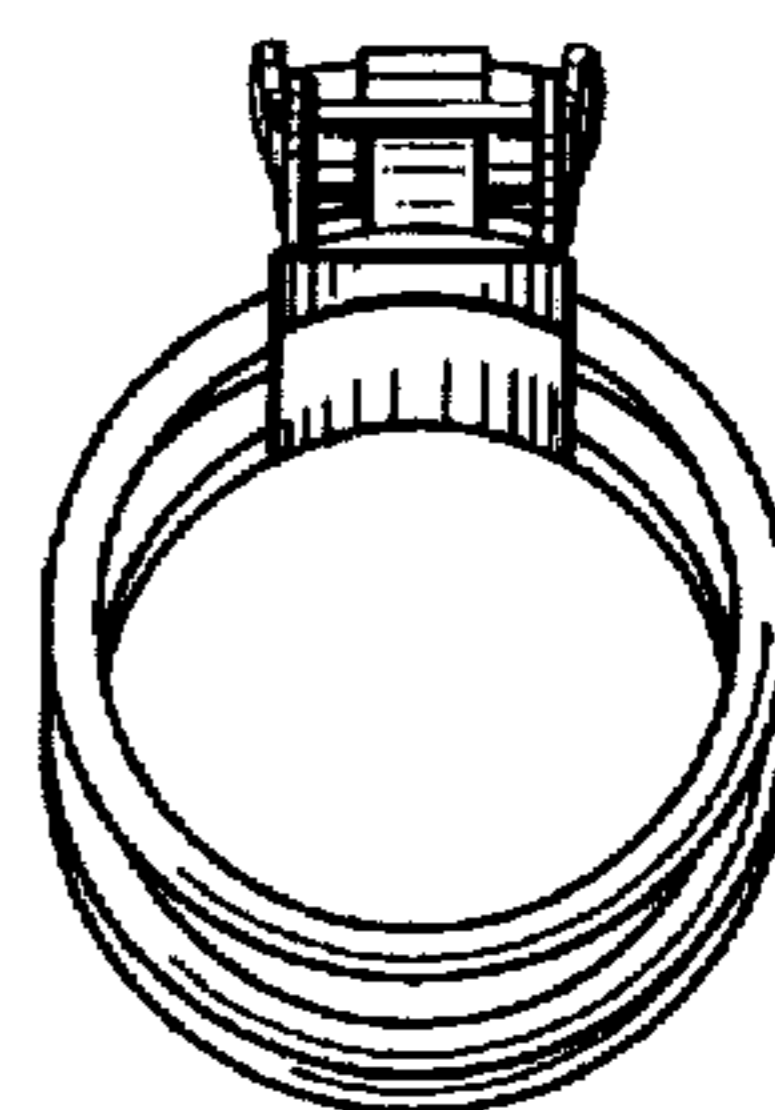


FIG. 6

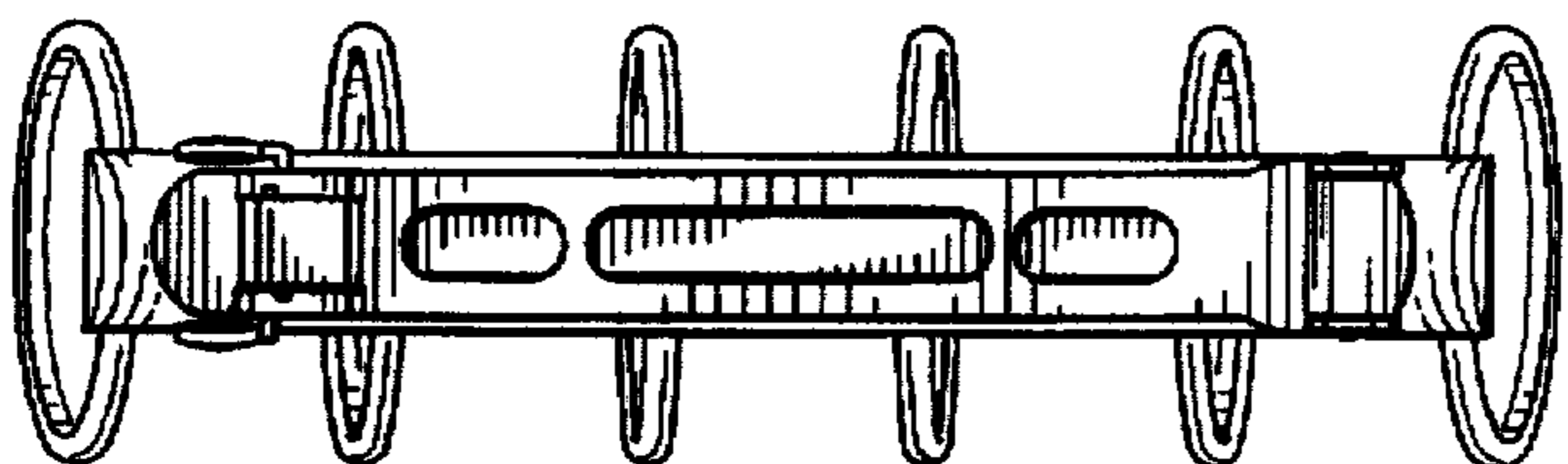


FIG. 7