



US00D387473S

United States Patent [19]

Angelakos

[11] Patent Number: **Des. 387,473**

[45] Date of Patent: ****Dec. 9, 1997**

[54] **ASHTRAY**

[76] Inventor: **Nicholas P. Angelakos, 885 White Birch La., Wantagh, N.Y. 11793**

[**] Term: **14 Years**

[21] Appl. No.: **62,184**

[22] Filed: **Nov. 8, 1996**

[51] LOC (6) CL **27-03**

[52] U.S. Cl. **D27/135**

[58] Field of Search **D27/102, 103, D27/134, 135, 129; 131/231, 240.1, 235.1**

[56] **References Cited**

U.S. PATENT DOCUMENTS

D. 217,942 6/1970 Angelakos D27/135

OTHER PUBLICATIONS

Cigar Ashtray, Brecks of Boston, p. 26, Cigars and Pipes Publication Box, 1970.

Primary Examiner—Susan J. Lucas
Assistant Examiner—Jennifer Register
Attorney, Agent, or Firm—Levine & Mandelbaum

[57] **CLAIM**

The ornamental design for an ashtray, as shown and described.

DESCRIPTION

FIG. 1 is a perspective view of an ashtray showing my new design;

FIG. 2 is a top view;

FIG. 3 is a side view with the opposite side being a mirror image;

FIG. 4 is a rear view;

FIG. 5 is a front view; and,

FIG. 6 is a bottom view.

1 Claim, 2 Drawing Sheets

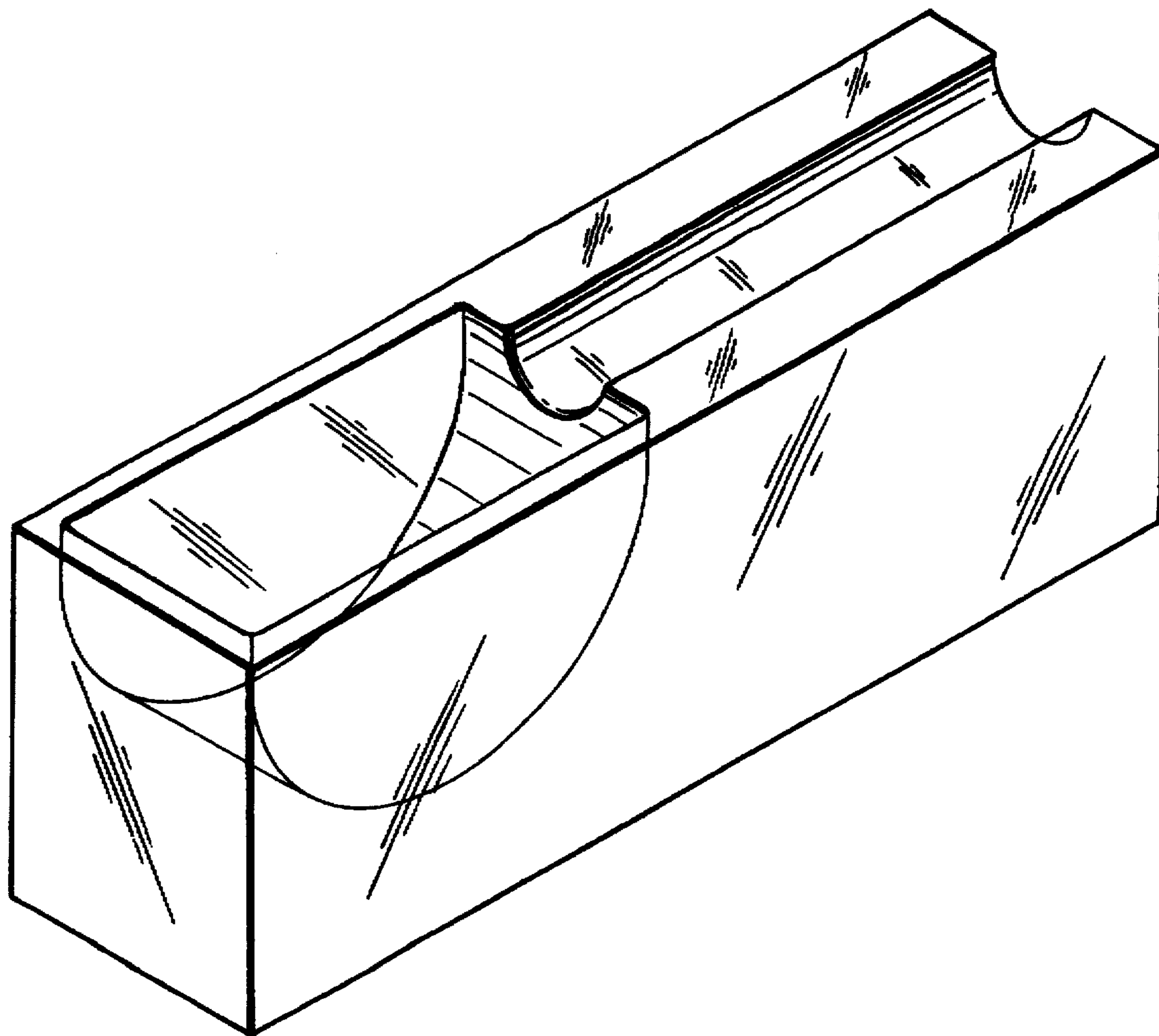


FIG. 1

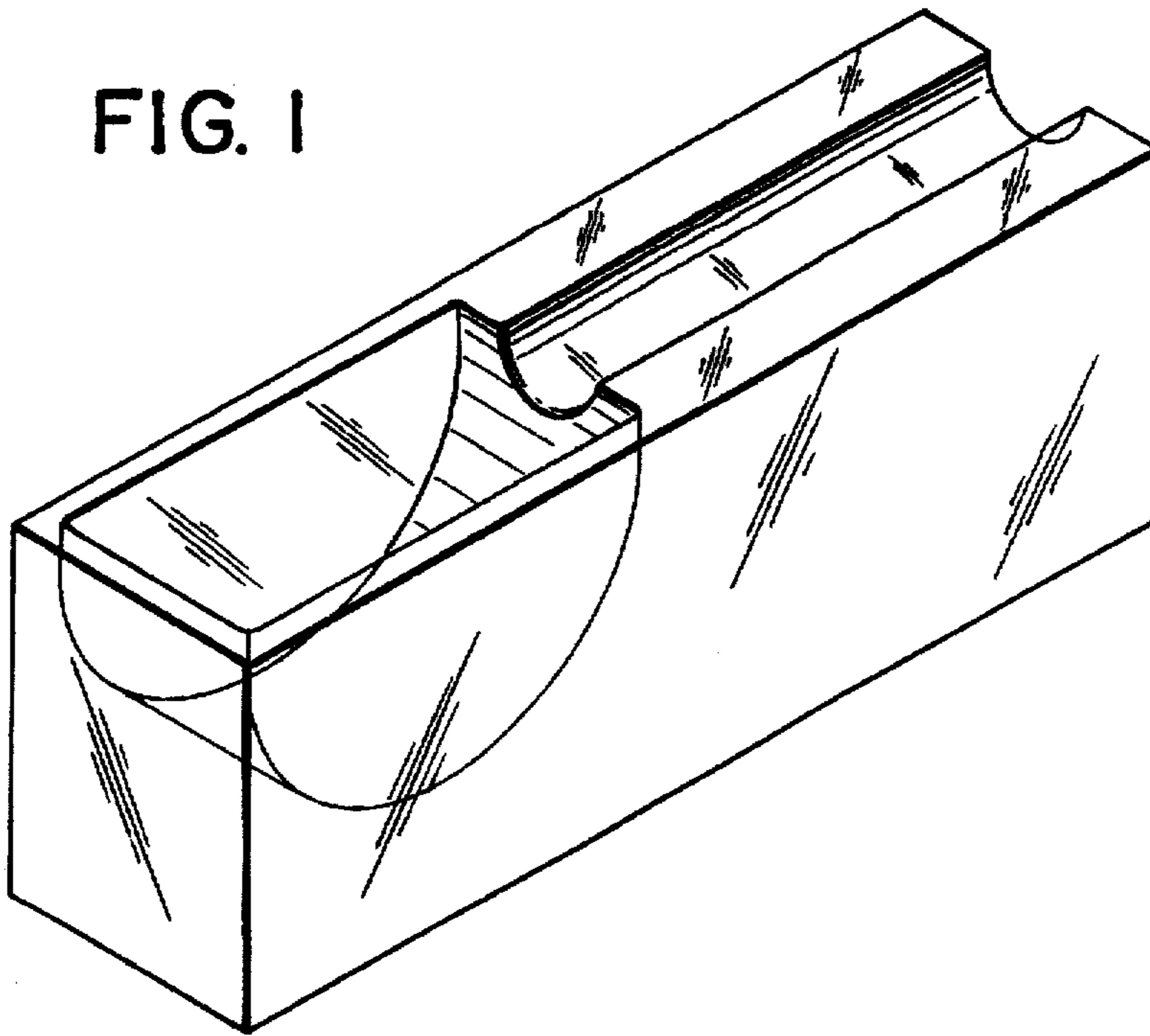


FIG. 2

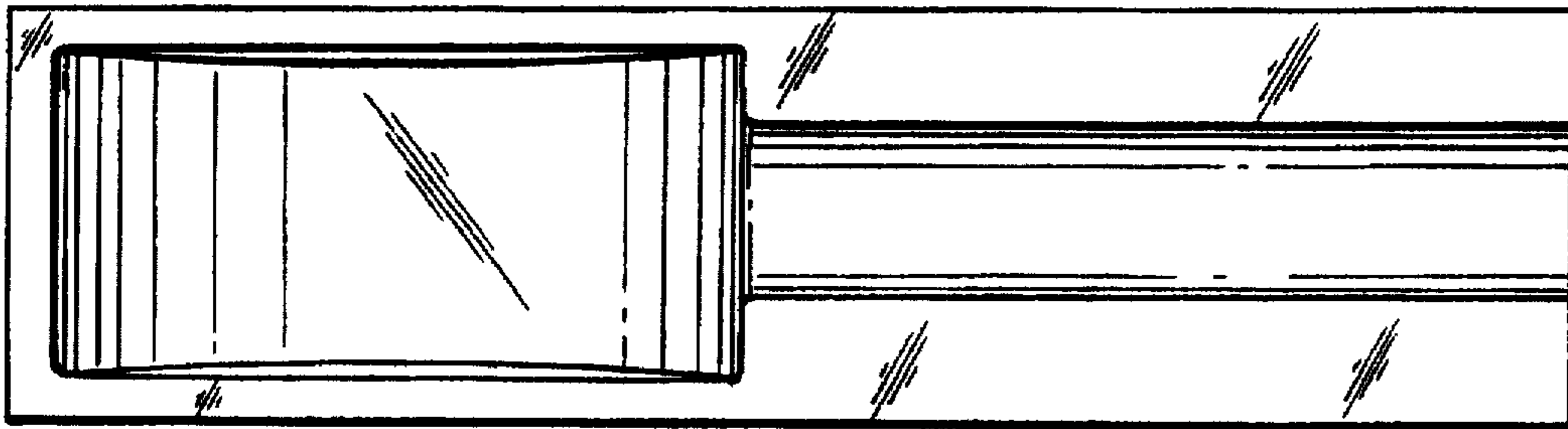
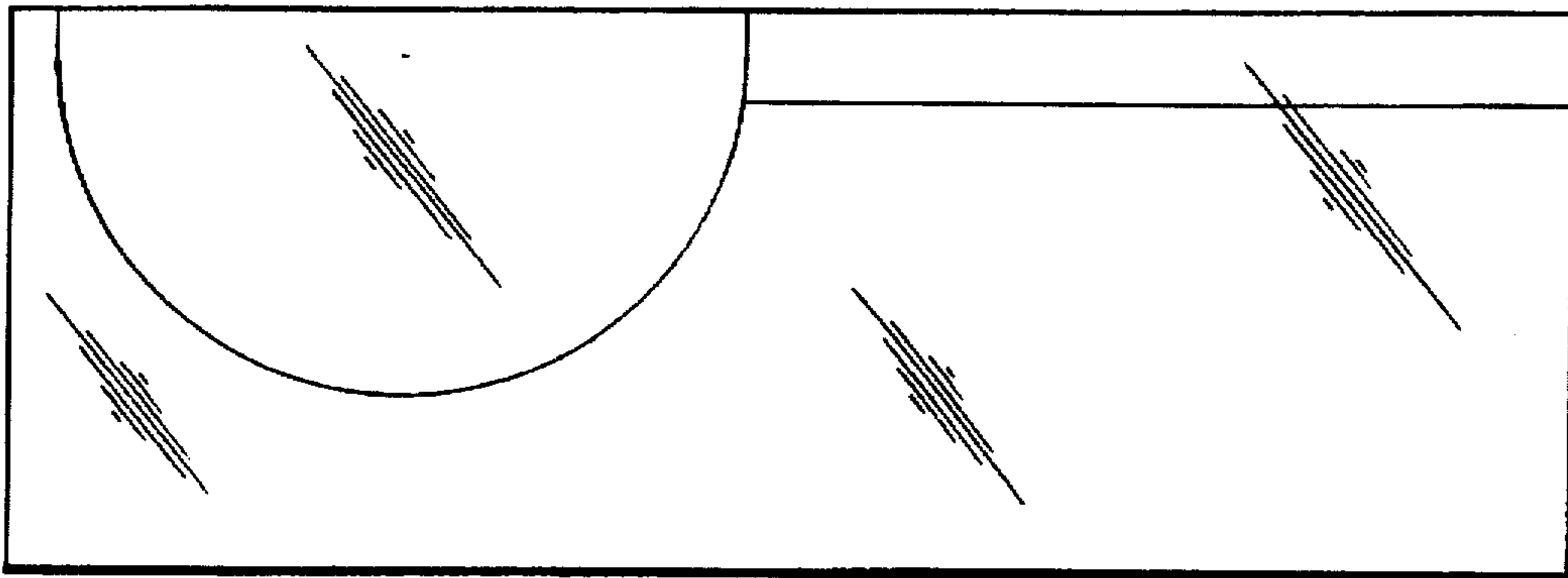


FIG. 3



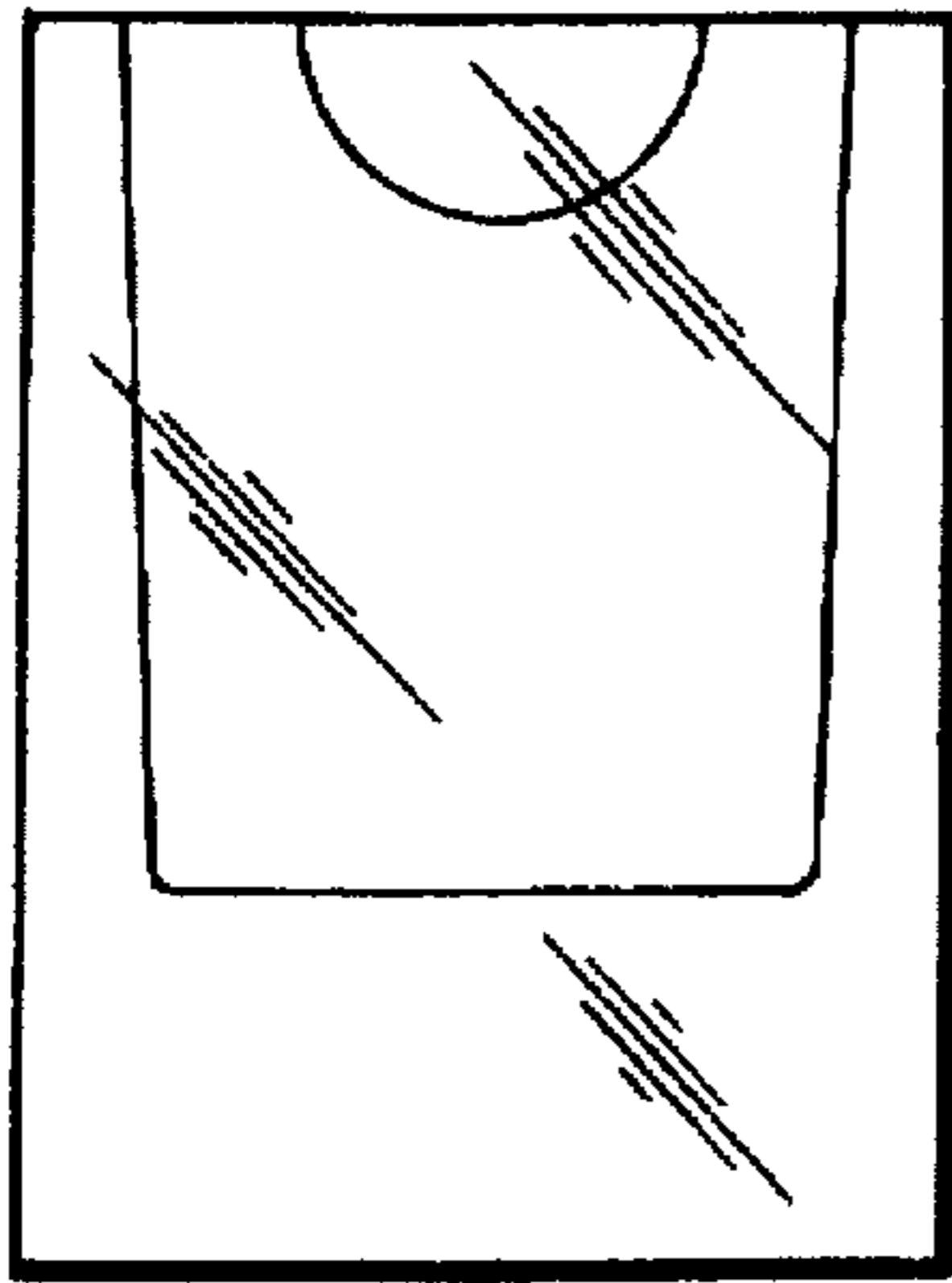


FIG. 4

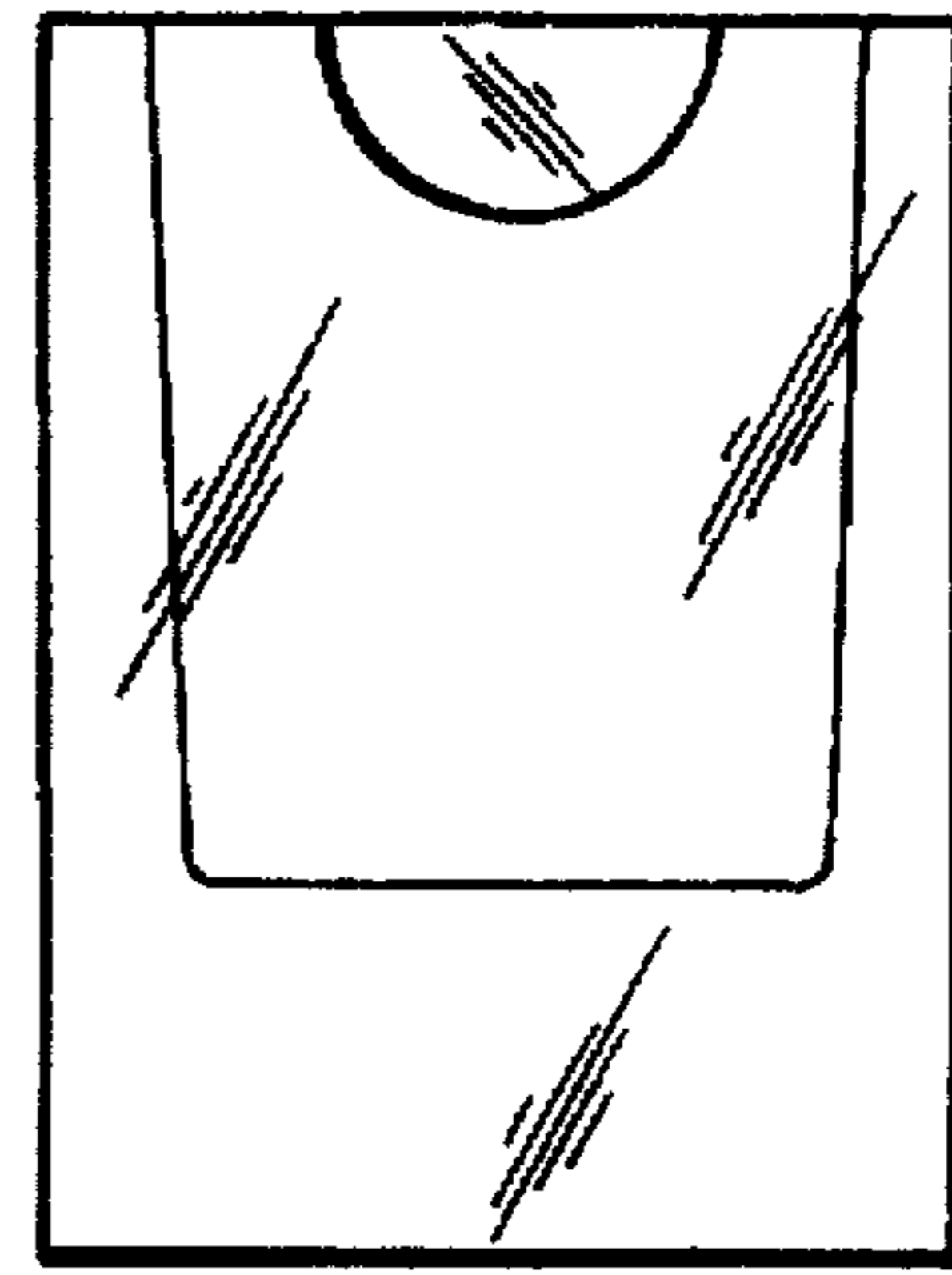


FIG. 5

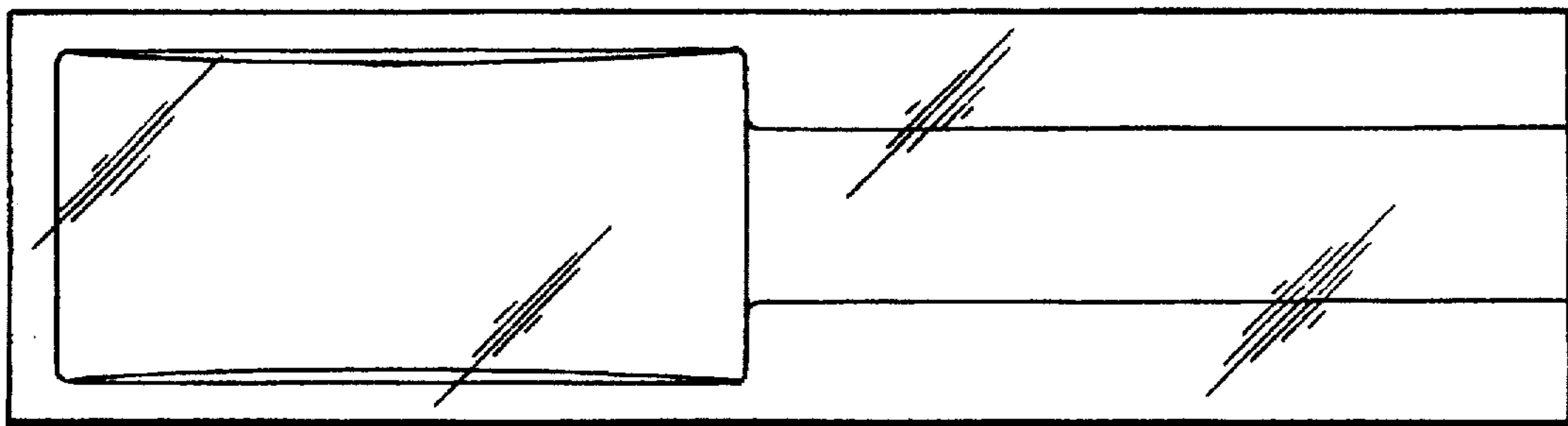


FIG. 6