



US00D387469S

United States Patent [19]

[11] Patent Number: **Des. 387,469**

Saleen

[45] Date of Patent: ****Dec. 9, 1997**

[54] **PAIR OF REAR TAIL LIGHT COVERS FOR CUSTOMIZED AUTOMOBILE BODY**

Primary Examiner—Marcus A. Jackson
Attorney, Agent, or Firm—Cislo & Thomas LLP

[76] Inventor: **Stephen M. Saleen**, 24307 Nan Ct.,
Diamond Bar, Calif. 91765

[57] **CLAIM**

[**] Term: **14 Years**

The ornamental design for a pair of rear tail light covers for customized automobile body, as shown and described.

[21] Appl. No.: **41,072**

DESCRIPTION

[22] Filed: **Jul. 5, 1995**

FIG. 1 is perspective view of a pair of rear tail light covers for customized automobile body showing my new design, with the broken line showing for illustrative purposes only and forming no part of the claimed design;

[51] LOC (6) CL **26-99**

[52] U.S. CL **D26/139**

[58] Field of Search D26/28-36, 120,
D26/121, 139; 362/61, 80, 80.1, 80.2, 82,
83, 83.2, 325, 342, 354, 376

FIG. 2 is a left side elevational view thereof;

FIG. 3 is a right side elevational view thereof;

FIG. 4 is a top plan view thereof;

FIG. 5 is a front elevational view thereof;

FIG. 6 is an enlarged top plan view thereof, with the left side shown for clarity of illustration only;

FIG. 7 is a left side elevational view thereof; and,

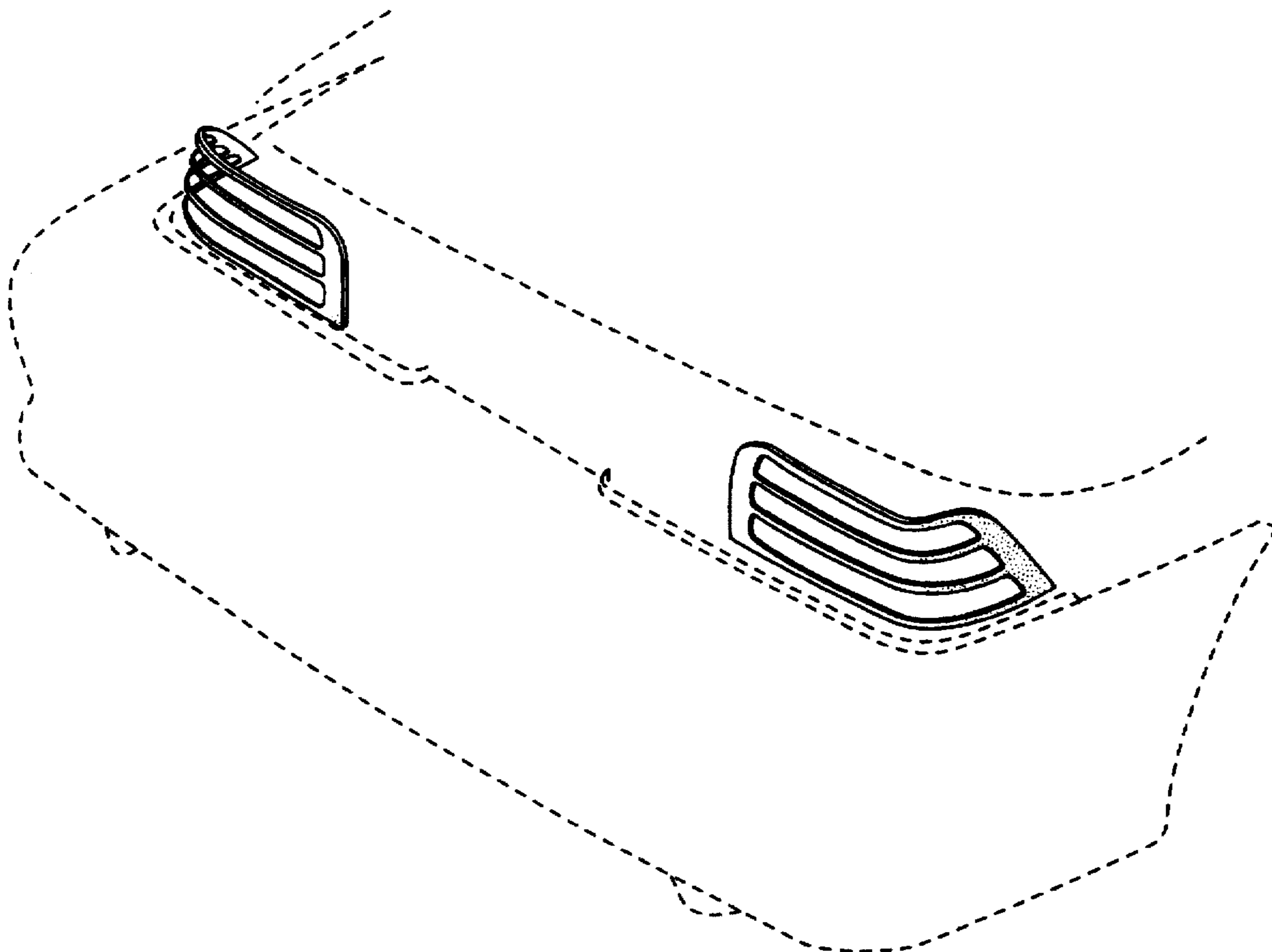
FIG. 8 is a front elevational view thereof.

[56] **References Cited**

U.S. PATENT DOCUMENTS

- D. 316,461 4/1991 McGlothlin D26/139
- D. 318,537 7/1991 Allman D26/139
- D. 364,704 11/1995 Alger D26/139

1 Claim, 3 Drawing Sheets



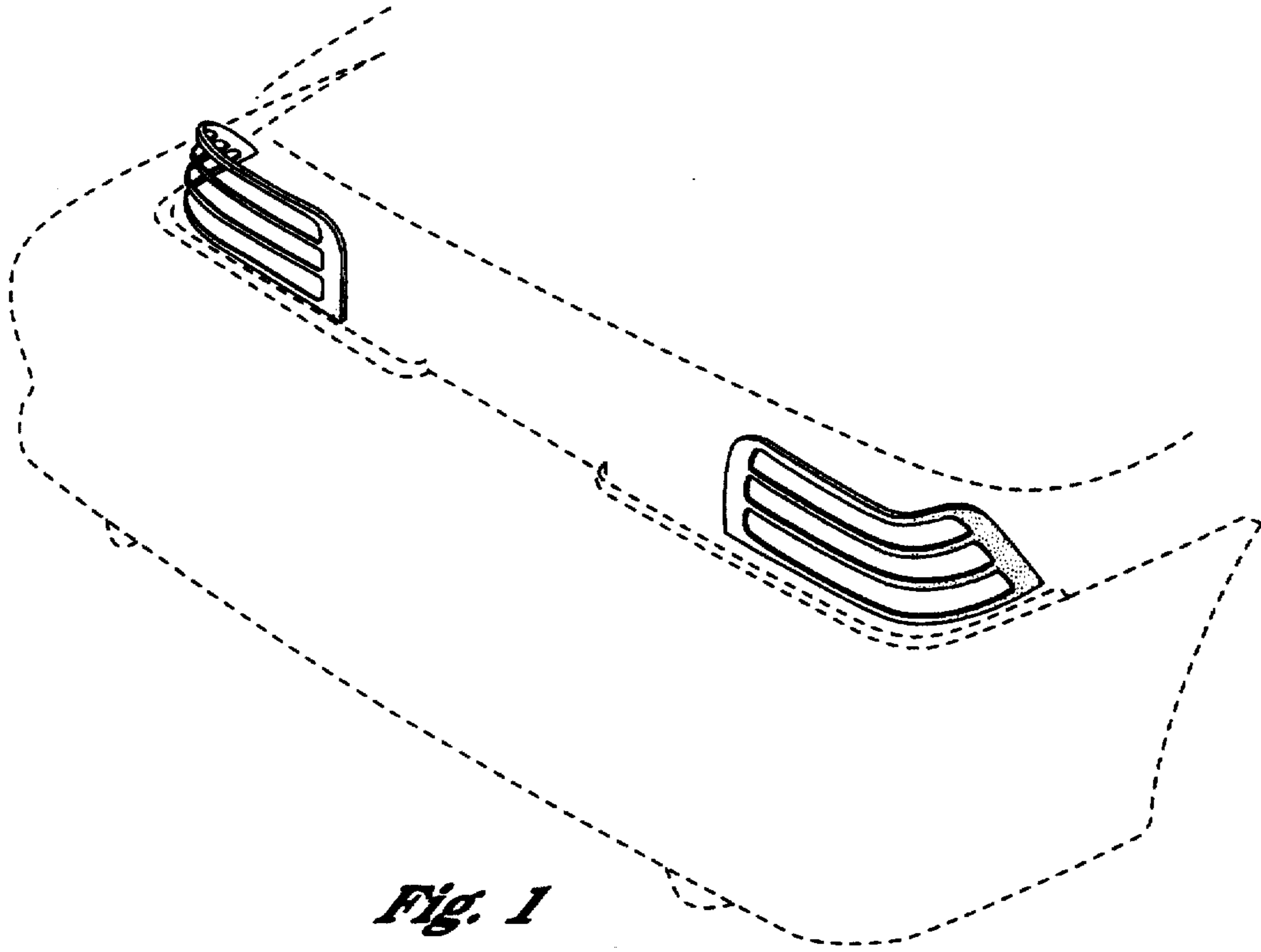


Fig. 1

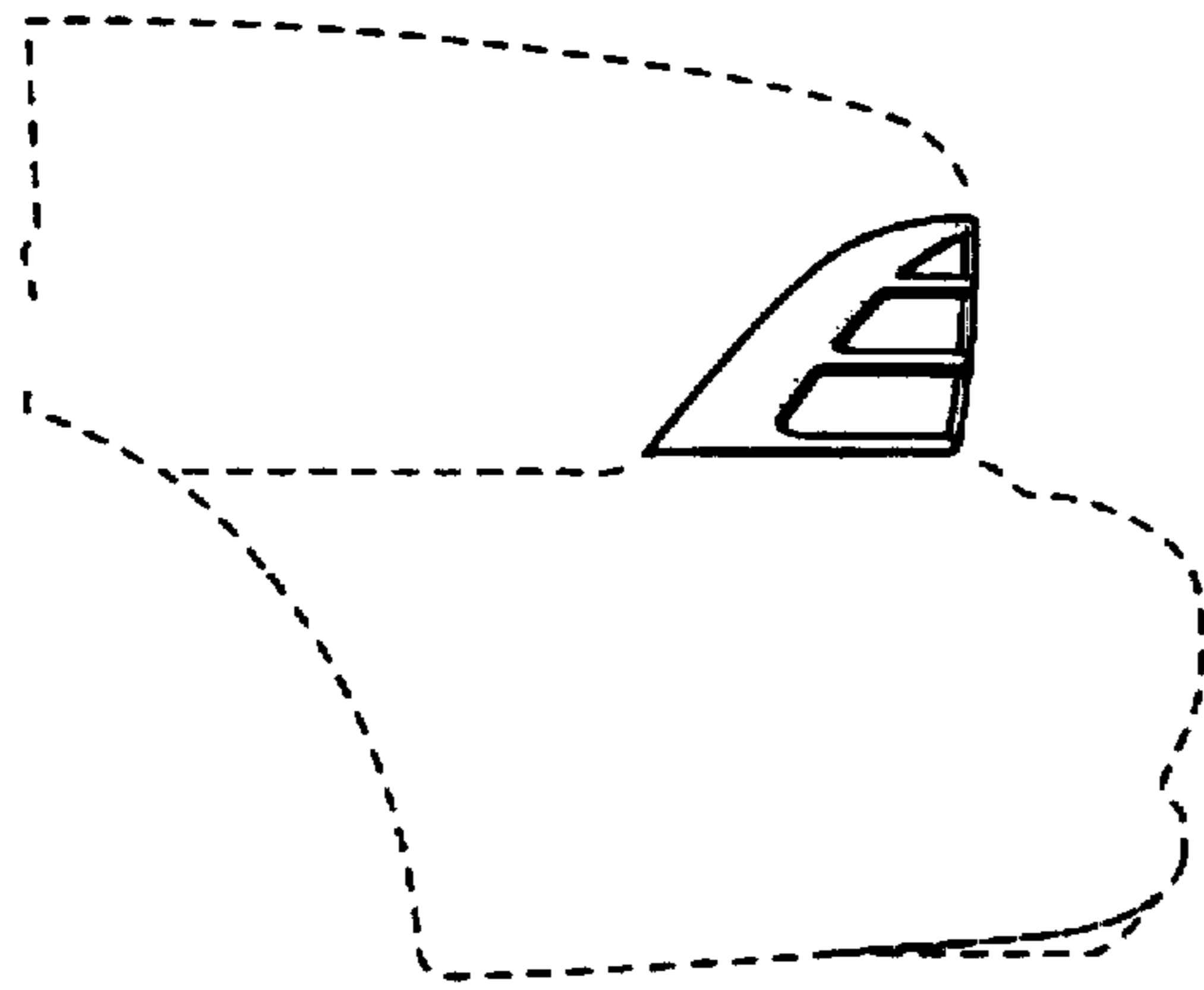


Fig. 2

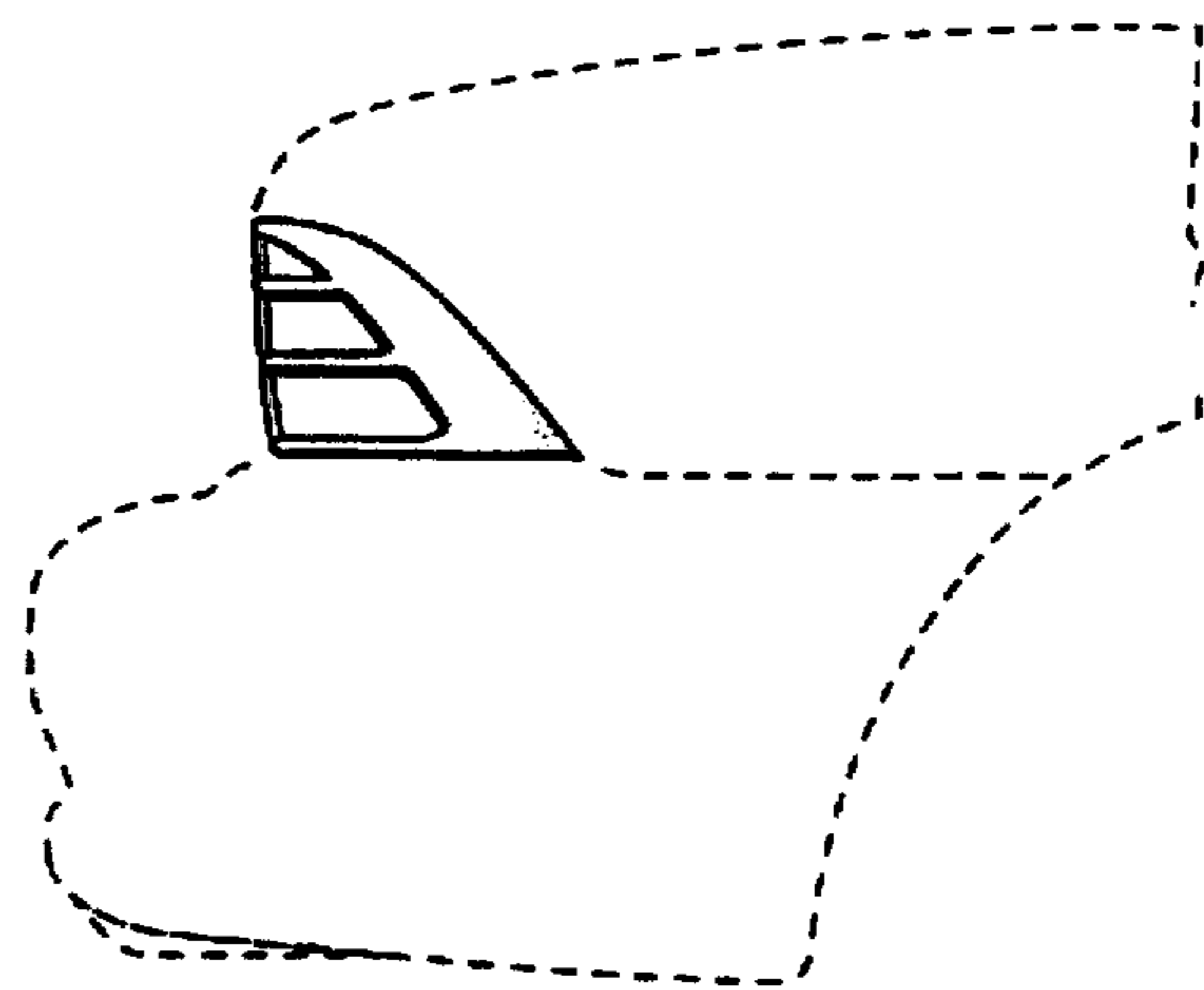


Fig. 3

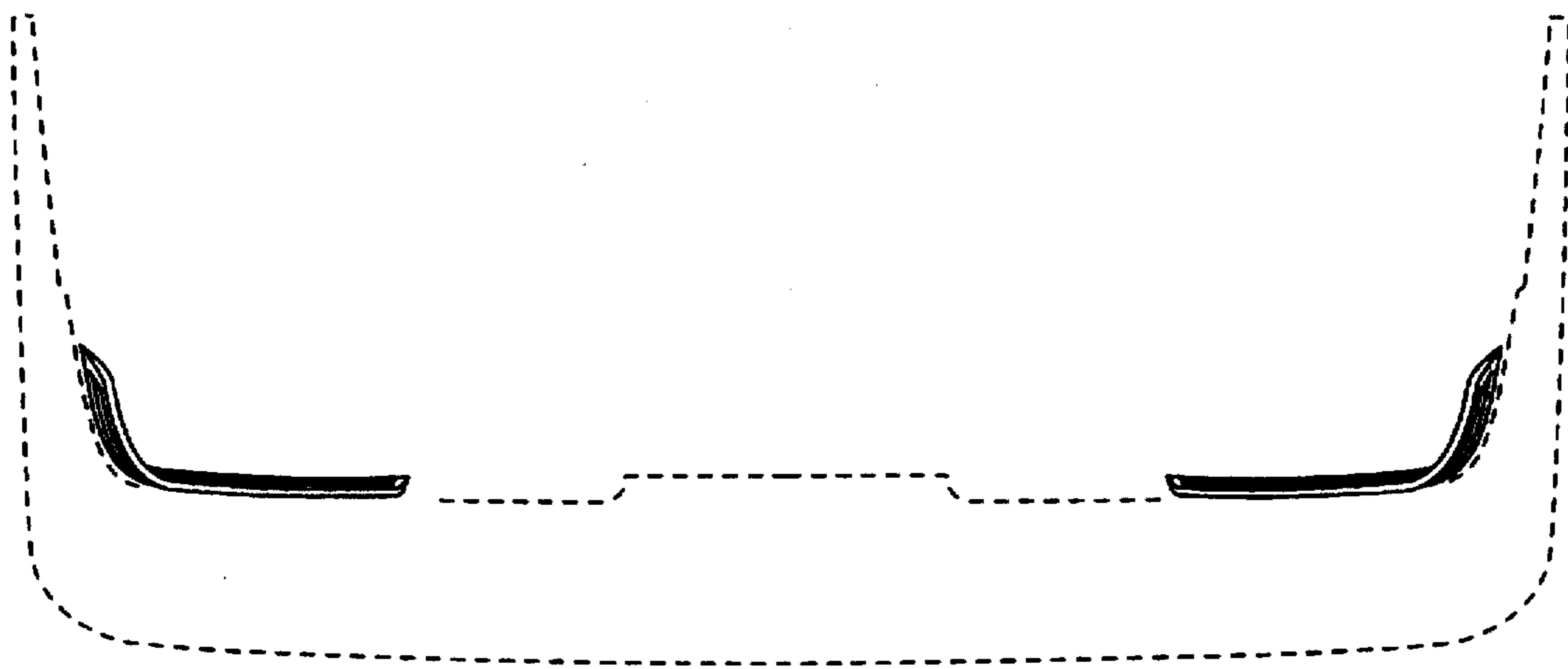


Fig. 4

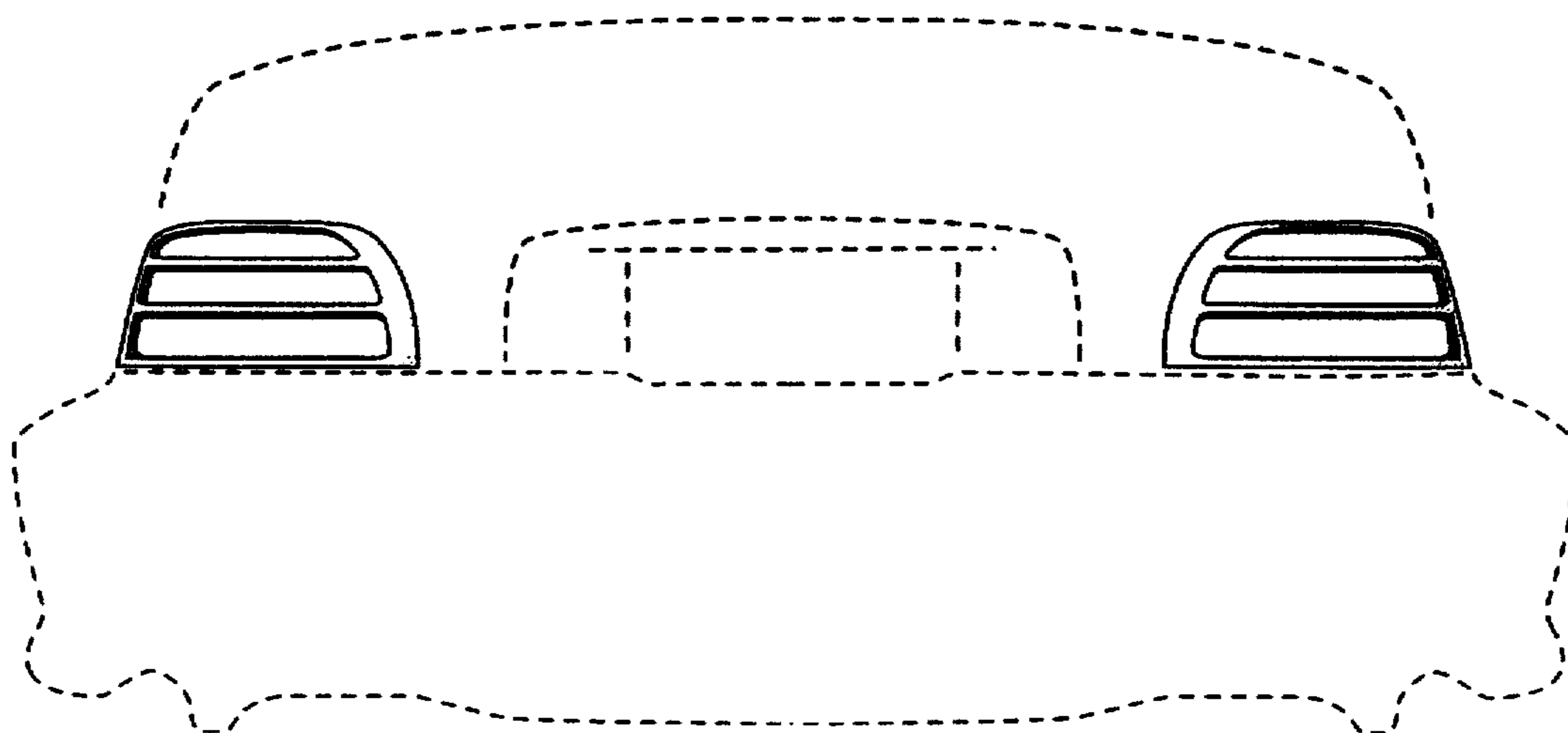


Fig. 5

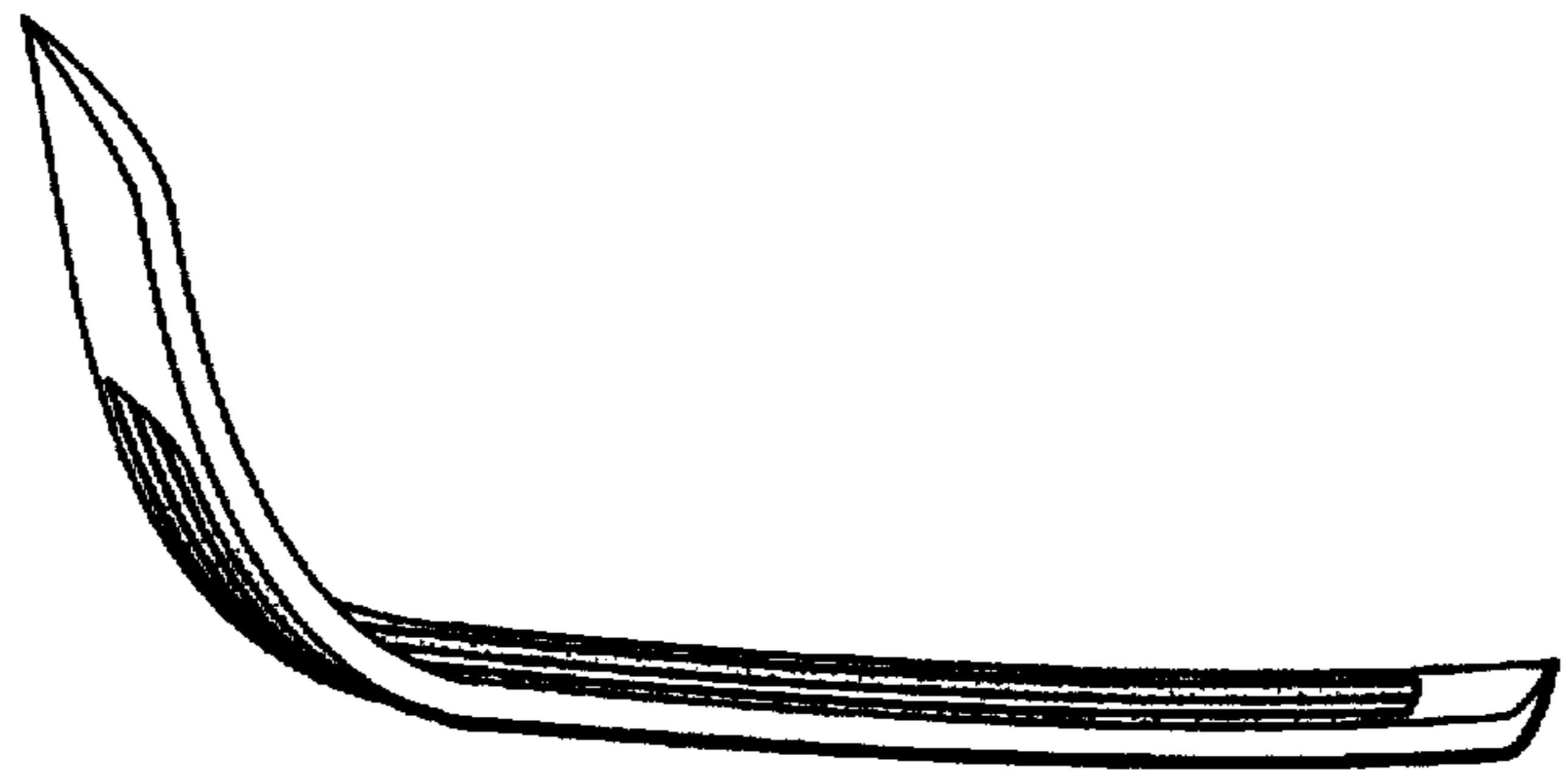


Fig. 6

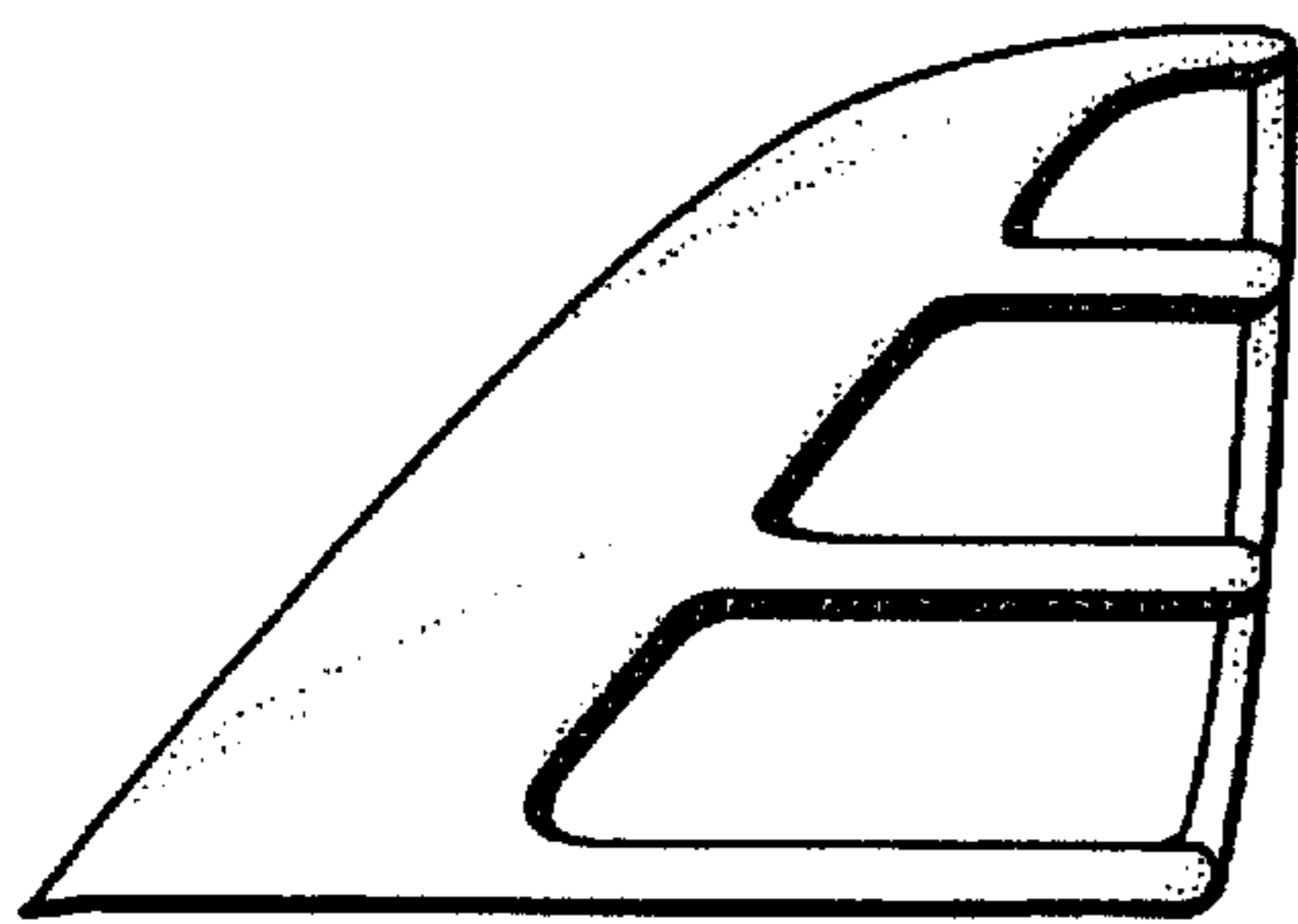


Fig. 7

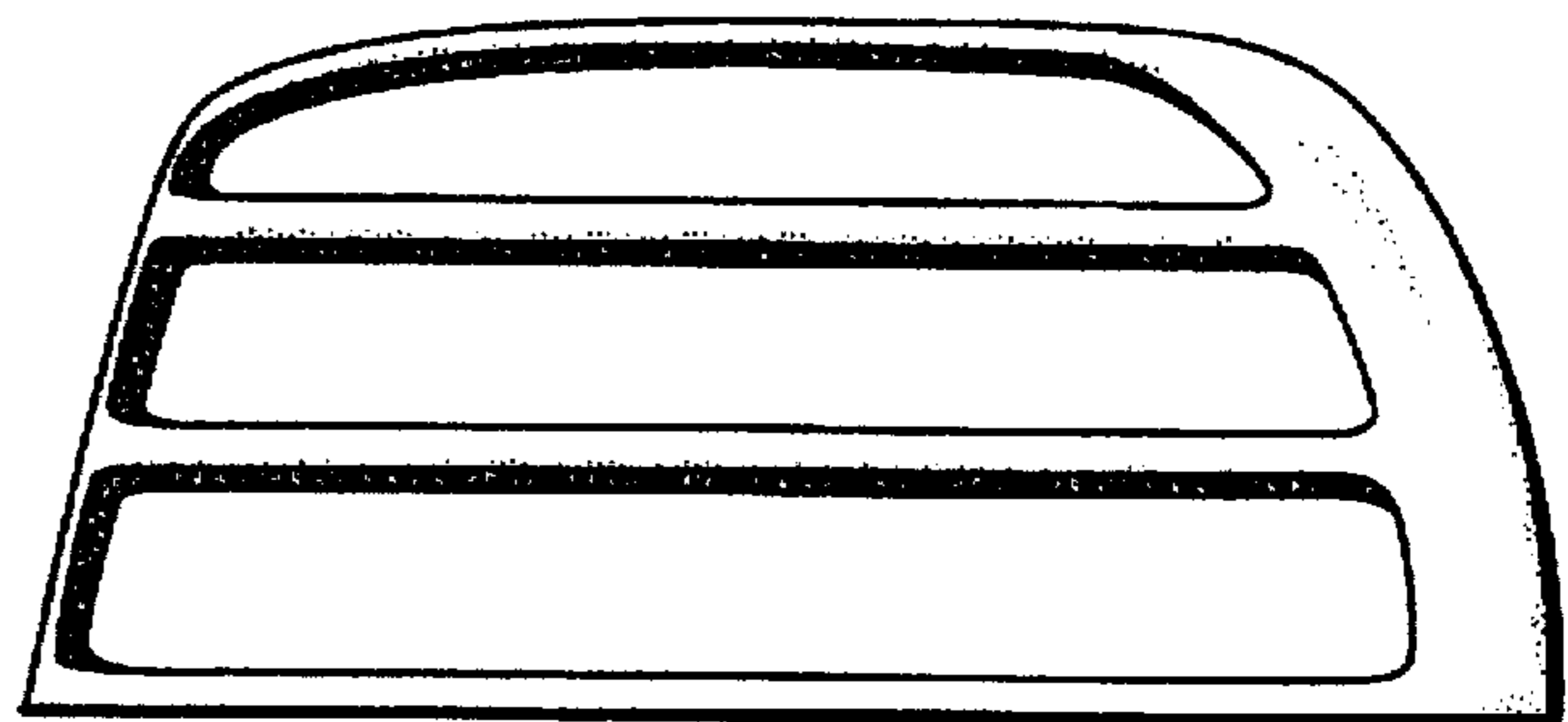


Fig. 8