



US00D387464S

United States Patent [19] Hoffman

[11] Patent Number: **Des. 387,464**

[45] Date of Patent: ****Dec. 9, 1997**

[54] LANTERN

[75] Inventor: **Michael D. Hoffman, Hanover, Pa.**

[73] Assignee: **Hoffman Products, Inc., Hanover, Pa.**

[**] Term: **14 Years**

[21] Appl. No.: **63,802**

[22] Filed: **Dec. 16, 1996**

[51] LOC (6) Cl. **26-05**

[52] U.S. Cl. **D26/87**

[58] Field of Search **D26/72, 80-92;
362/147, 404-408, 432, 367**

[56] **References Cited**

U.S. PATENT DOCUMENTS

D. 74,689	3/1928	Ludwig	D26/87
D. 76,367	9/1928	Aspinall	D26/87
D. 159,423	7/1950	Kushner	.	
D. 206,083	10/1966	Rosen	.	
D. 314,834	2/1991	Rottner	D26/87
D. 318,930	8/1991	Choi	.	

OTHER PUBLICATIONS

Home Lighting and Accessories, p. 43, wall lantern, top, right, Mar. 1995.

Home Lighting and Accessories, p. 44, Quorum Internatl. wall lantern, top, left, Mar. 1995.

Kichler Lighting catalog, p. 104, wall lantern #K-9724, ceiling lamp box 1990.

Primary Examiner—Susan J. Lucas

Attorney, Agent, or Firm—Samuel M. Learned, Jr.

[57] **CLAIM**

The ornamental design for a lantern, as shown and described.

DESCRIPTION

FIG. 1 is a left side elevational view of a lantern showing my new design, the right side thereof being a mirror image; FIG. 2 is a front elevational view thereof; FIG. 3 is a top plan view thereof; FIG. 4 is a bottom plan view thereof; and, FIG. 5 is a lower front left side quadrant perspective view thereof.

1 Claim, 4 Drawing Sheets

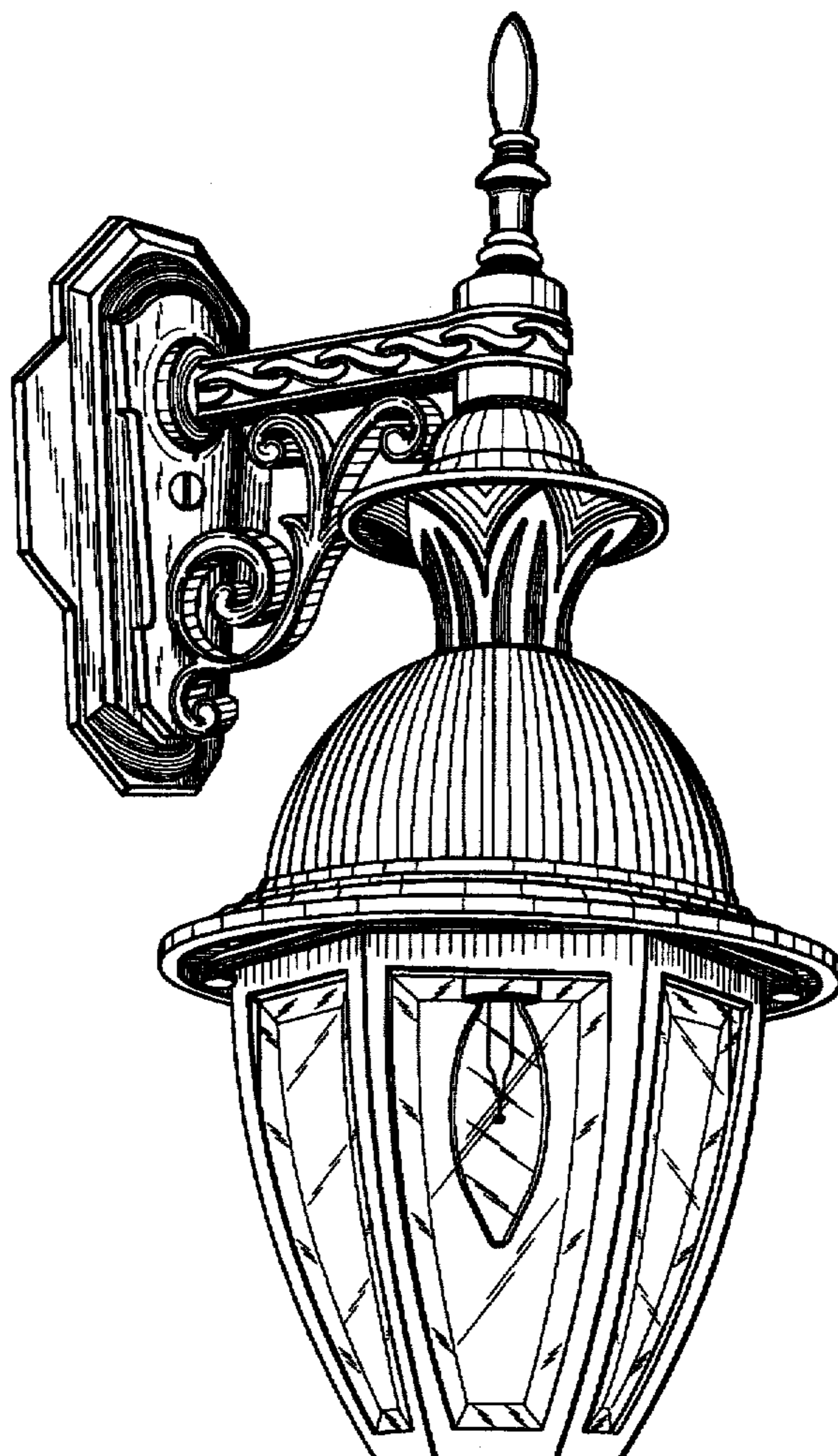


Fig. 1

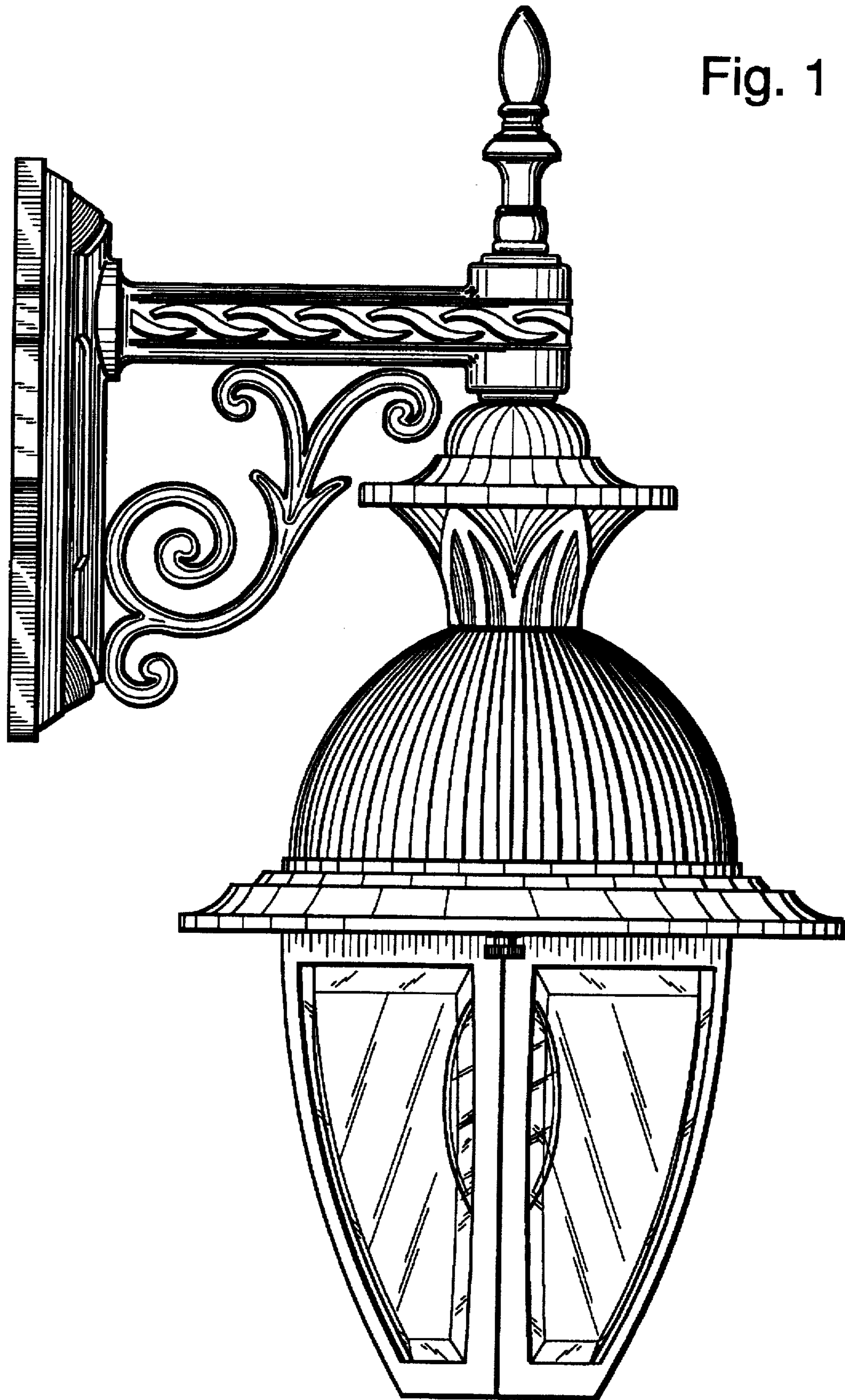


Fig. 2

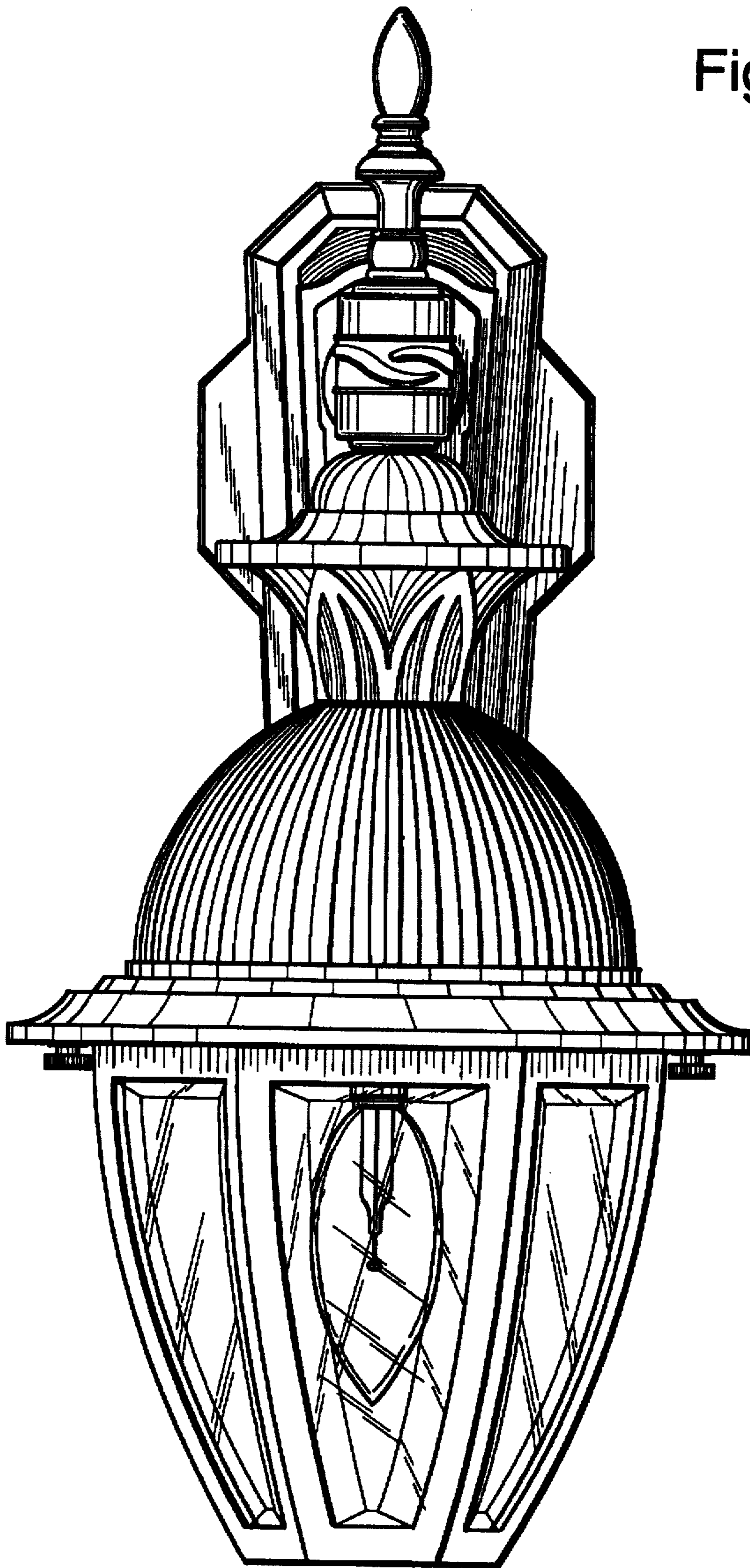


Fig. 3

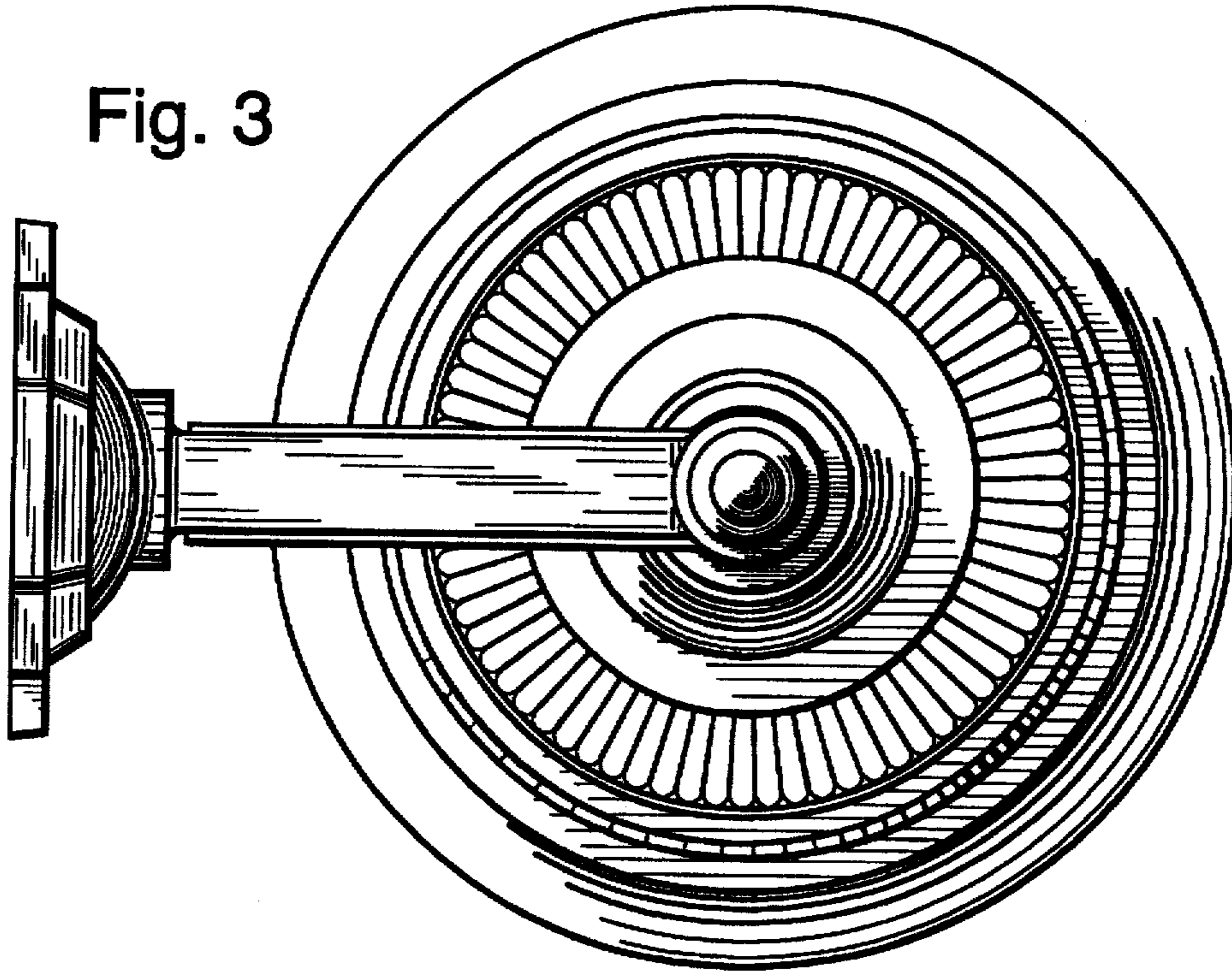


Fig. 4

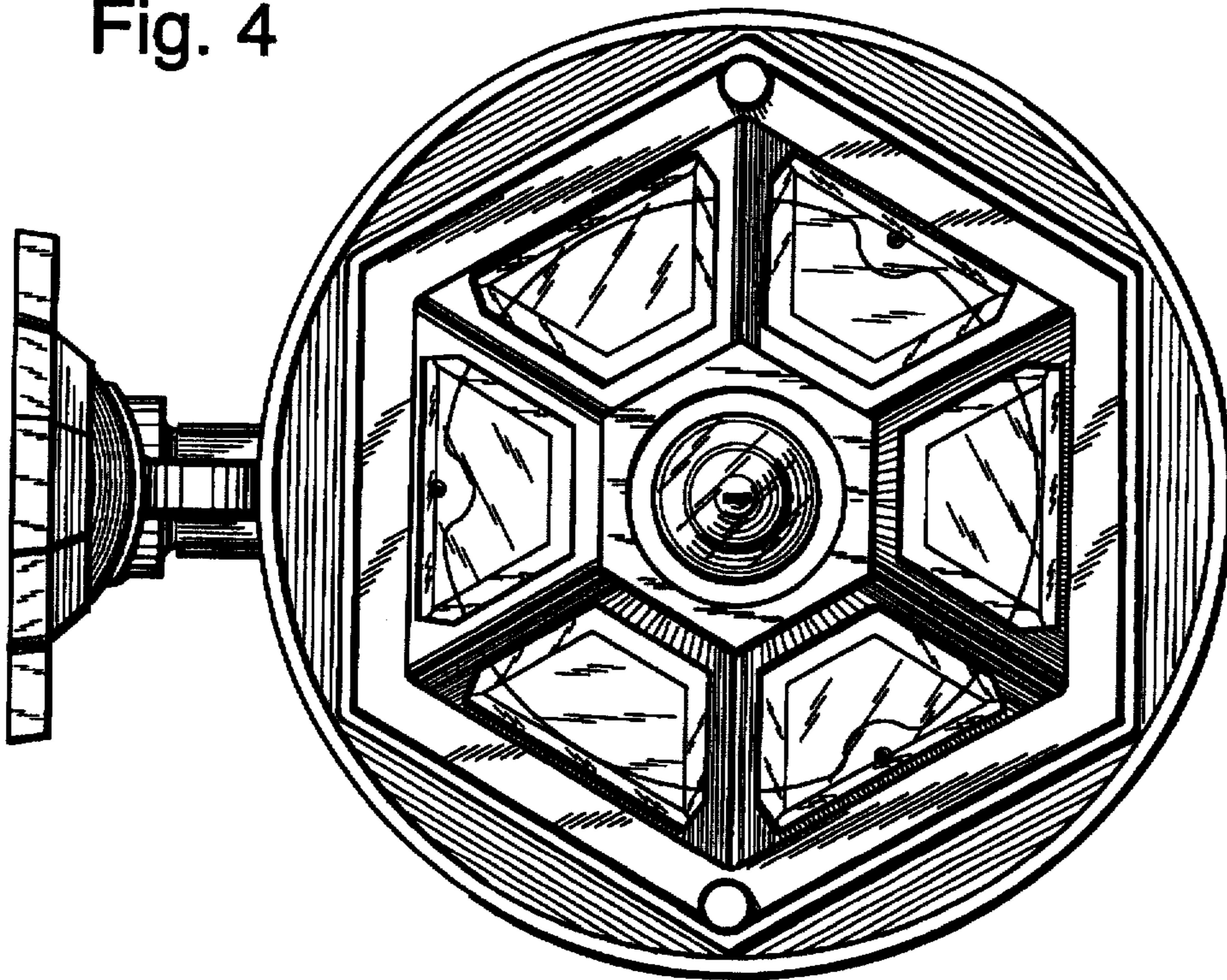


Fig. 5

