



US00D387461S

**United States Patent** [19]  
**Schadt**

[11] **Patent Number: Des. 387,461**

[45] **Date of Patent: \*\*Dec. 9, 1997**

[54] **FLUORESCENT LIGHTING FIXTURE**

[76] **Inventor: Hartmut Schadt, Kirchplatz 35, 82538 Geretsrieb, BRD, Germany**

[\*\*] **Term: 14 Years**

[21] **Appl. No.: 51,134**

[22] **Filed: Mar. 4, 1996**

[51] **LOC (6) Cl. .... 26-05**

[52] **U.S. Cl. .... D26/75; D26/78**

[58] **Field of Search ..... D26/75-78; 362/217, 362/220, 224, 225, 3, 11, 18**

[56] **References Cited**

**U.S. PATENT DOCUMENTS**

4,624,259	11/1986	Welt .....	362/220 X
4,782,428	11/1988	Lowell et al. ....	362/18 X
4,969,070	11/1990	Costa .....	362/217 X
5,149,184	9/1992	Hughes et al. ....	362/220 X

**OTHER PUBLICATIONS**

Aisleliter Flyer, (Sportlite Incorporated), pp. 1 & 2 Fluorescent light (3-Wide).

*Primary Examiner*—Susan J. Lucas  
*Attorney, Agent, or Firm*—Marshall, O'Toole, Gerstein, Murray & Borun

[57] **CLAIM**

The ornamental design for a fluorescent lighting fixture, as shown and described.

**DESCRIPTION**

FIG. 1 is a perspective view of a fluorescent lighting fixture showing my new design;

FIG. 2 is a front view thereof;

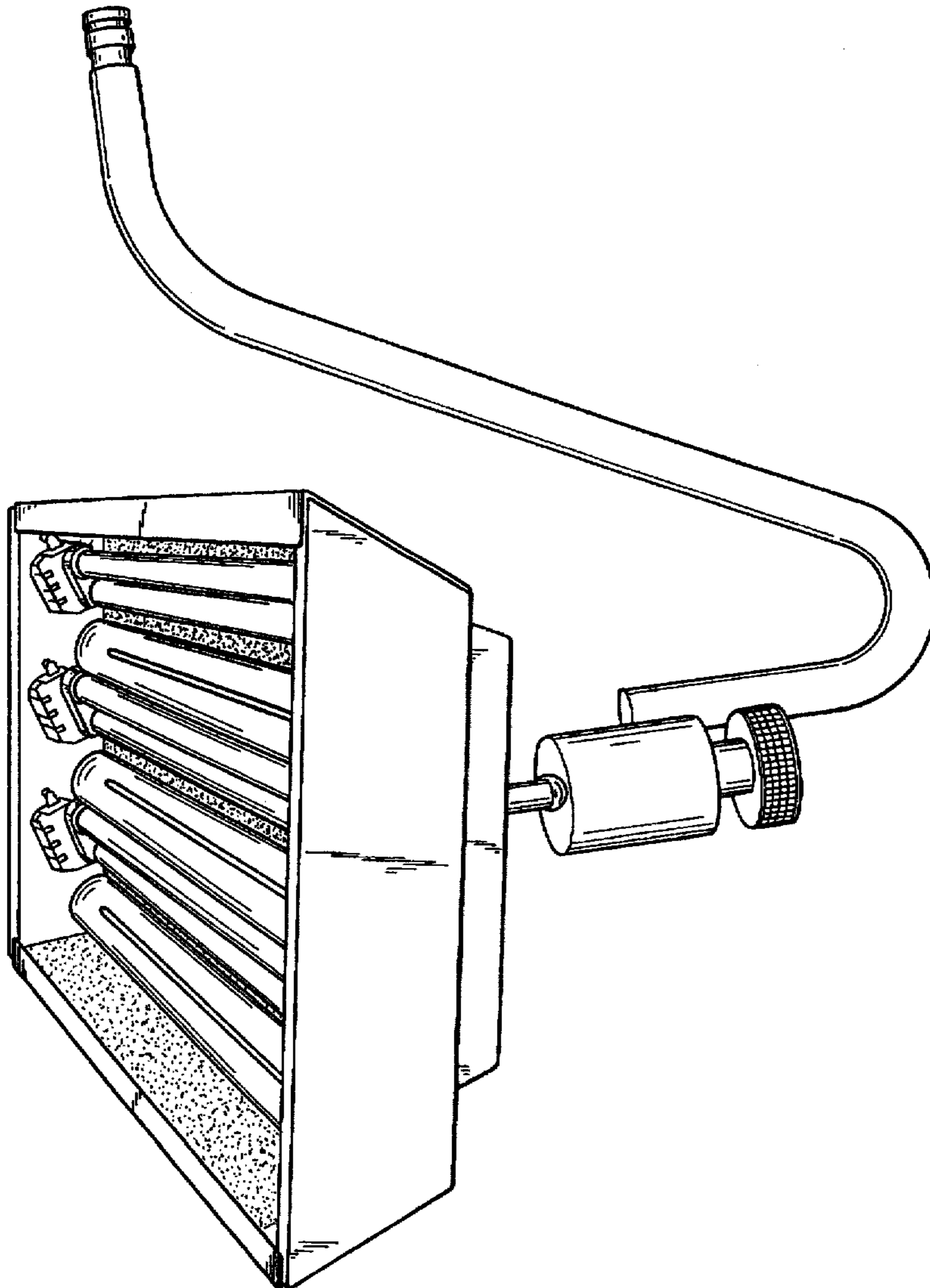
FIG. 3 is a rear elevational view thereof;

FIG. 4 is a left side elevational view thereof, the right side being a mirror image;

FIG. 5 is a bottom view thereof; and,

FIG. 6 is a top plan view thereof.

**1 Claim, 6 Drawing Sheets**



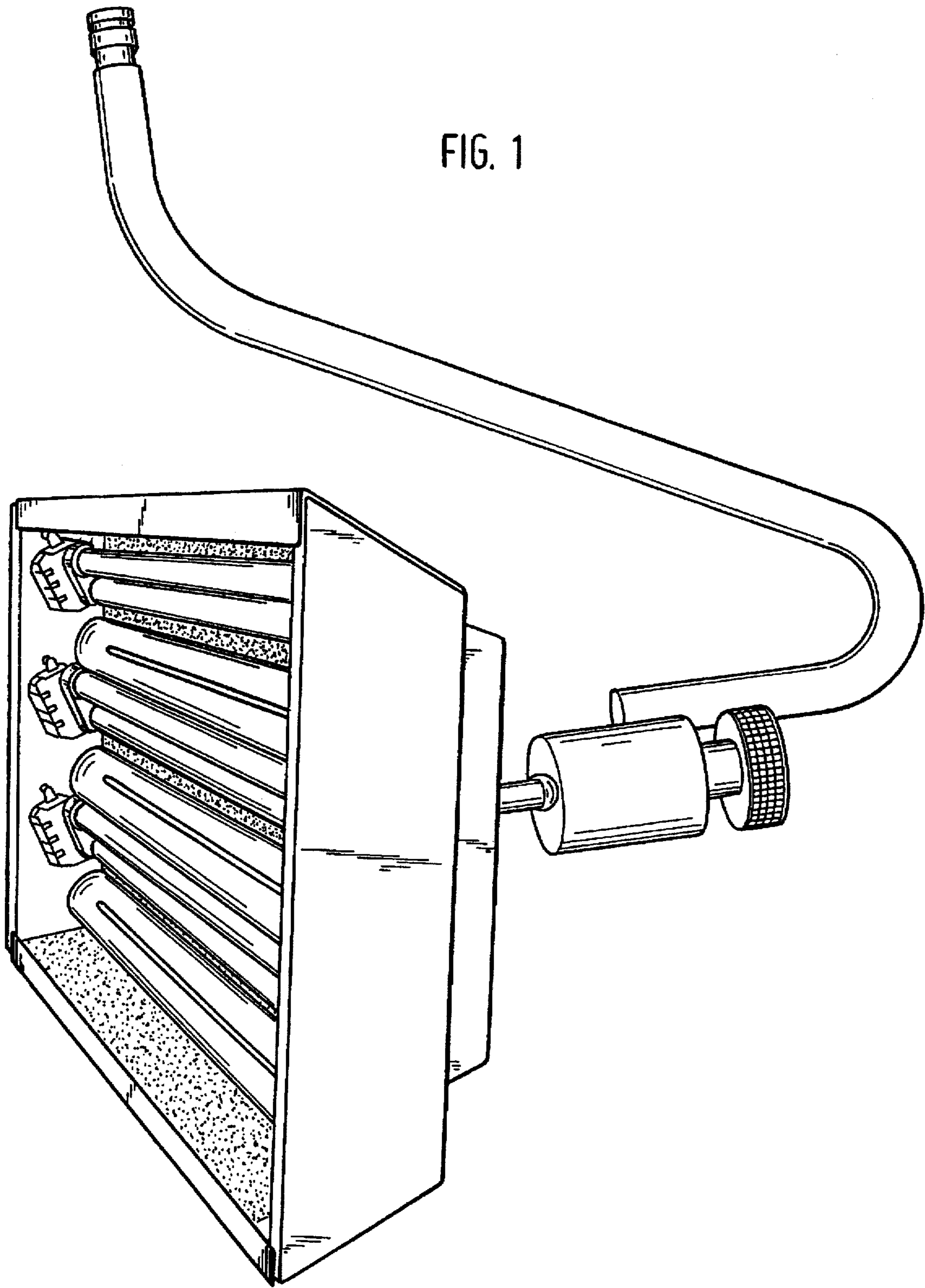


FIG. 1

FIG. 2

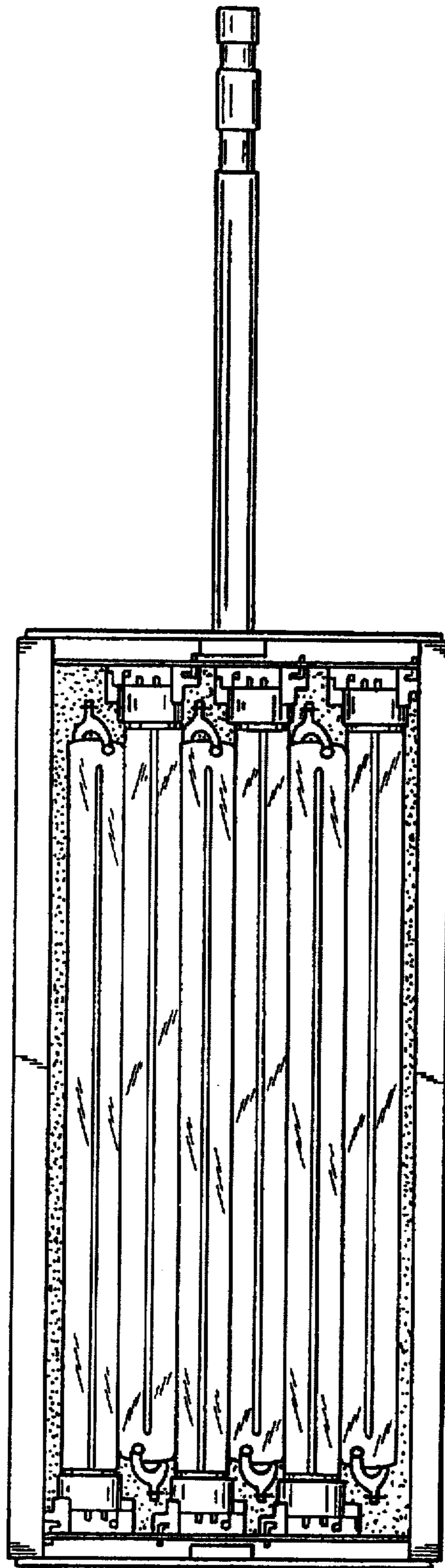


FIG. 3

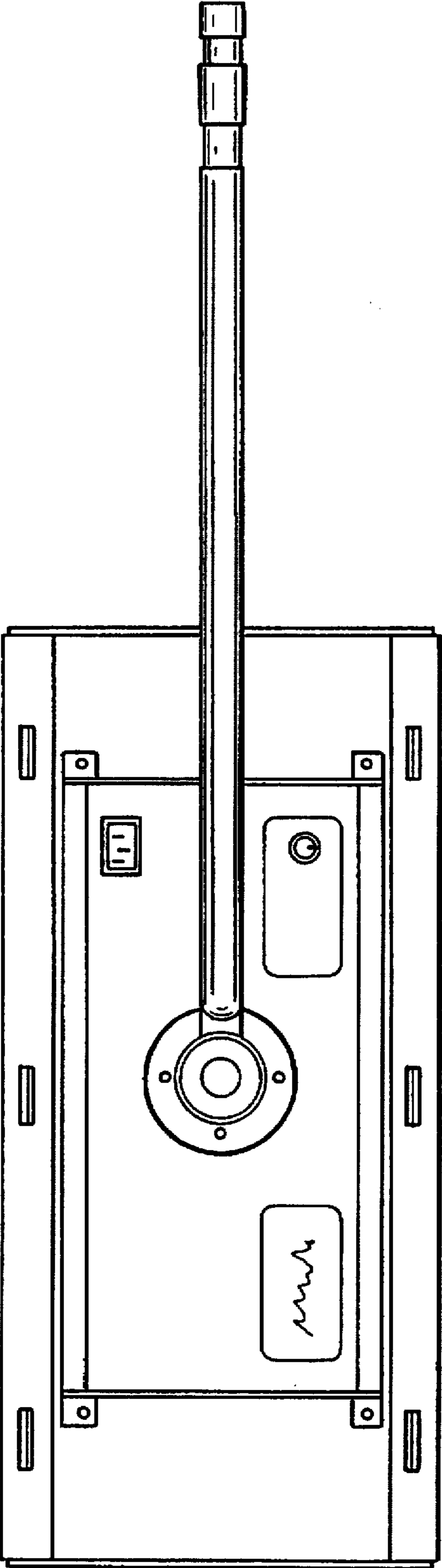


FIG. 4

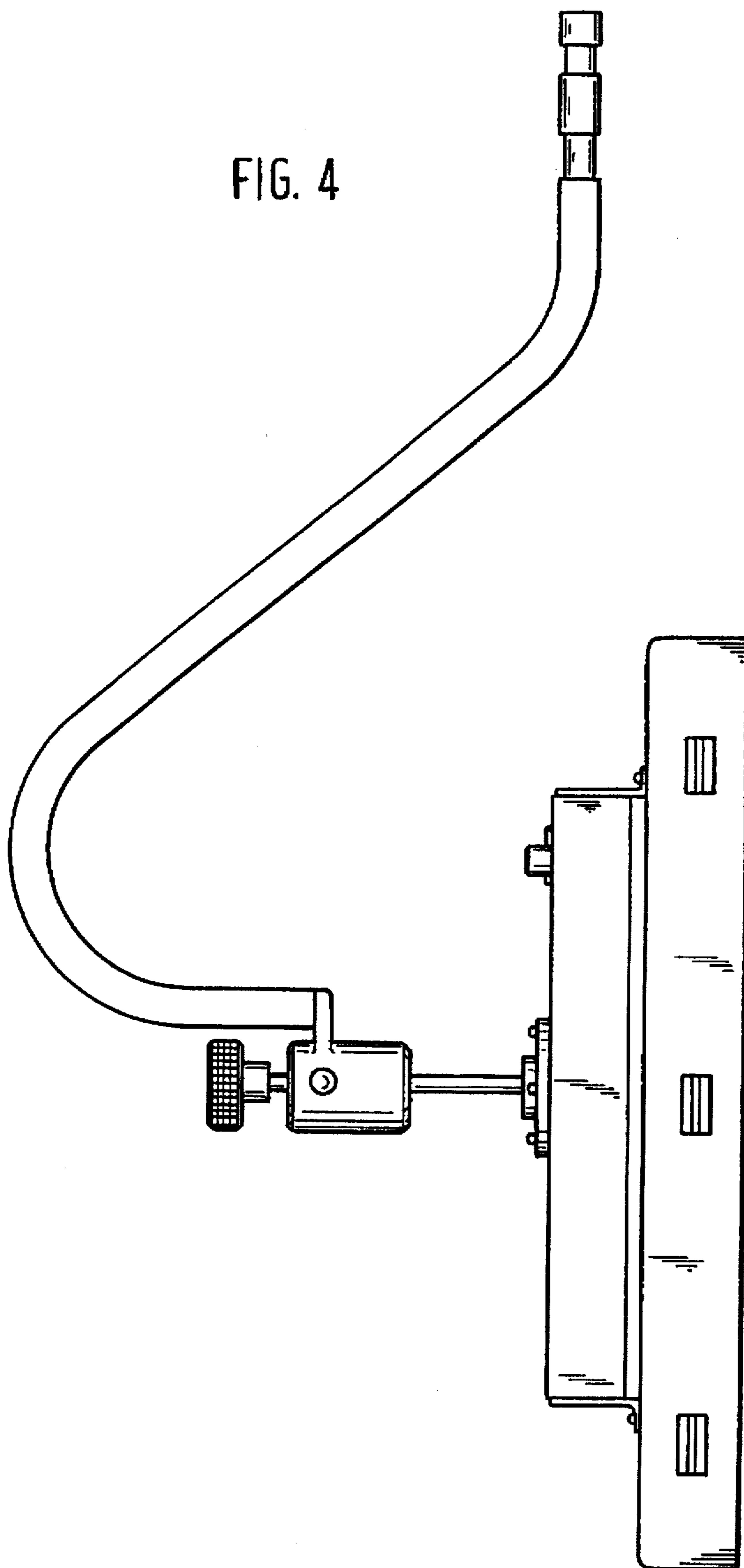


FIG. 5

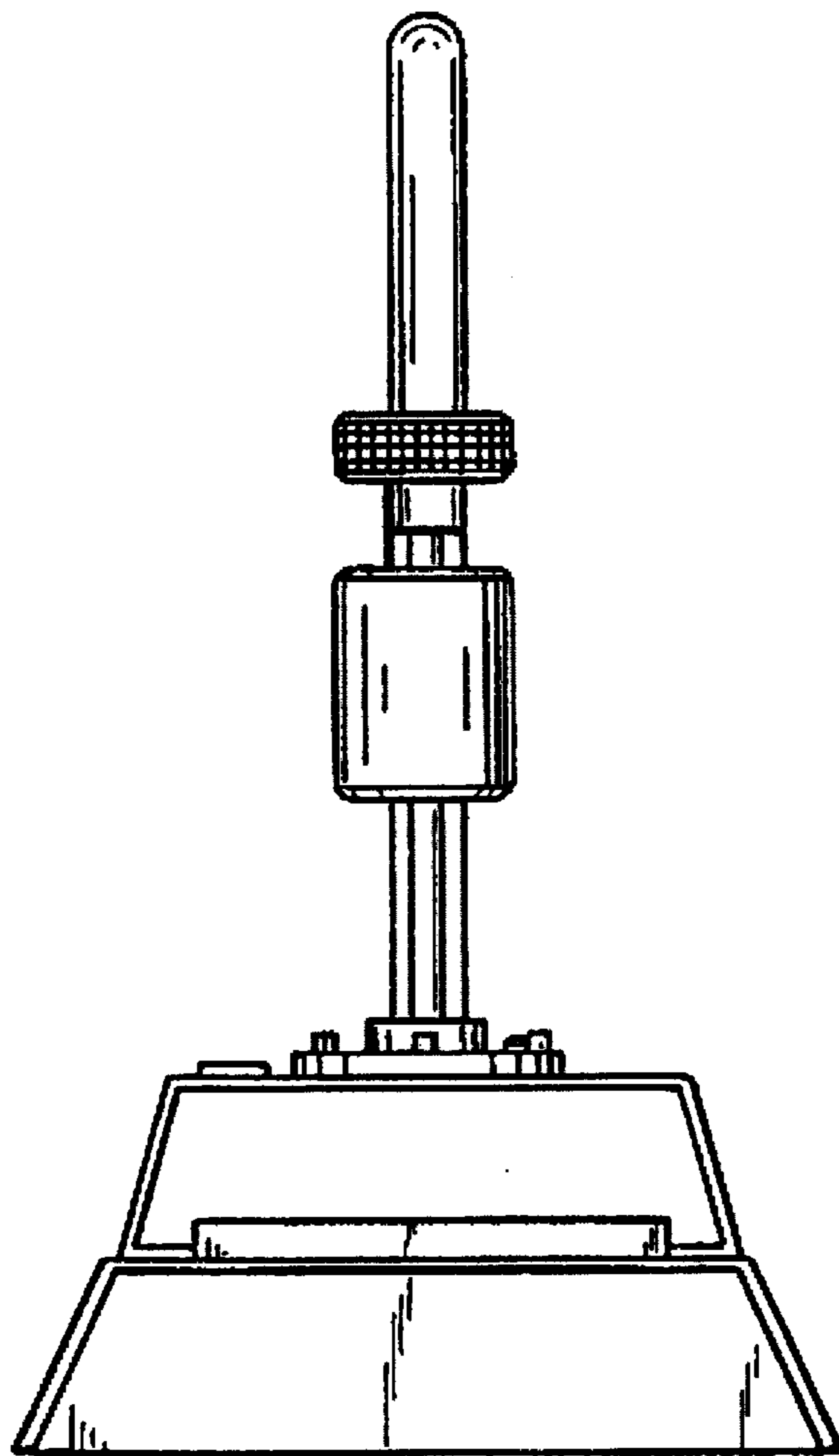


FIG. 6

