



US00D387458S

United States Patent [19]

Ruggles et al.

[11] Patent Number: Des. 387,458

[45] Date of Patent: **Dec. 9, 1997

[54] LANTERN

5,404,264 4/1995 Park 362/367 X
5,442,532 8/1995 Boulos et al. D26/87 X

[75] Inventors: Patrick H. Ruggles; James Hampshire, both of Solon, Ohio

OTHER PUBLICATIONS

[73] Assignee: Adjusta-Post Manufacturing Co., Norton, Ohio

Home Lighting & Accessories, Apr. 1993, p. 39, Post Lantern #13430.

[**] Term: 14 Years

Primary Examiner—Susan J. Lucas
Attorney, Agent, or Firm—Oldham & Oldham Co., LPA

[21] Appl. No.: 54,011

[57] CLAIM

[22] Filed: May 3, 1996

The ornamental design for a lantern, shown and described.

[51] LOC (6) Cl. 26-05

DESCRIPTION

[52] U.S. Cl. D26/67

[58] Field of Search D26/67-71, 72,
D26/85, 87, 91, 92; 362/147, 153, 153.1,
431, 432, 367

FIG. 1 is a perspective view of a new design for a lantern; FIG. 2 is a front elevational view of a second embodiment of the lantern of our design, the rear elevational view being a mirror image thereof;

FIG. 3 is a top view; and,

FIG. 4 is a right side elevational view, the left side elevational view being a mirror image thereof.

The first embodiment of the post lantern is identical to that of the second embodiment, but for the omission of the bottom cylindrical collar.

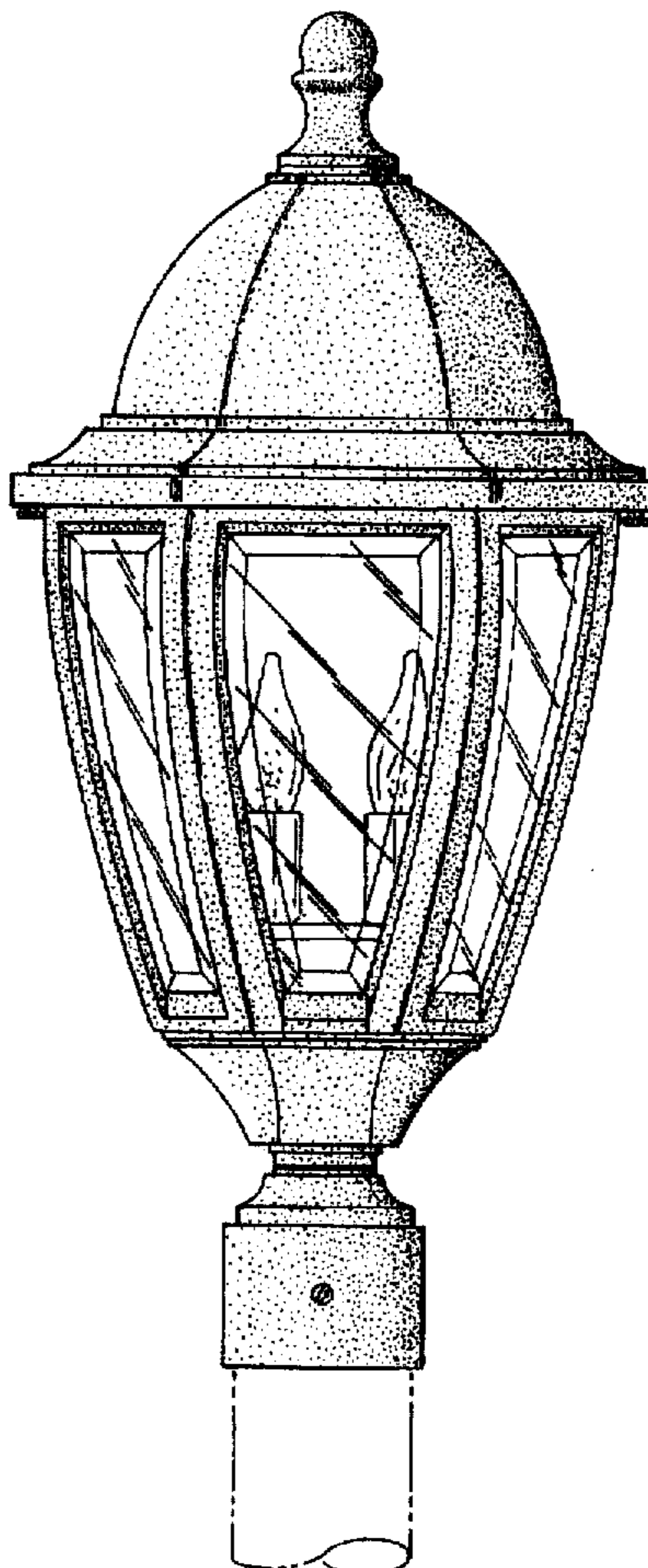
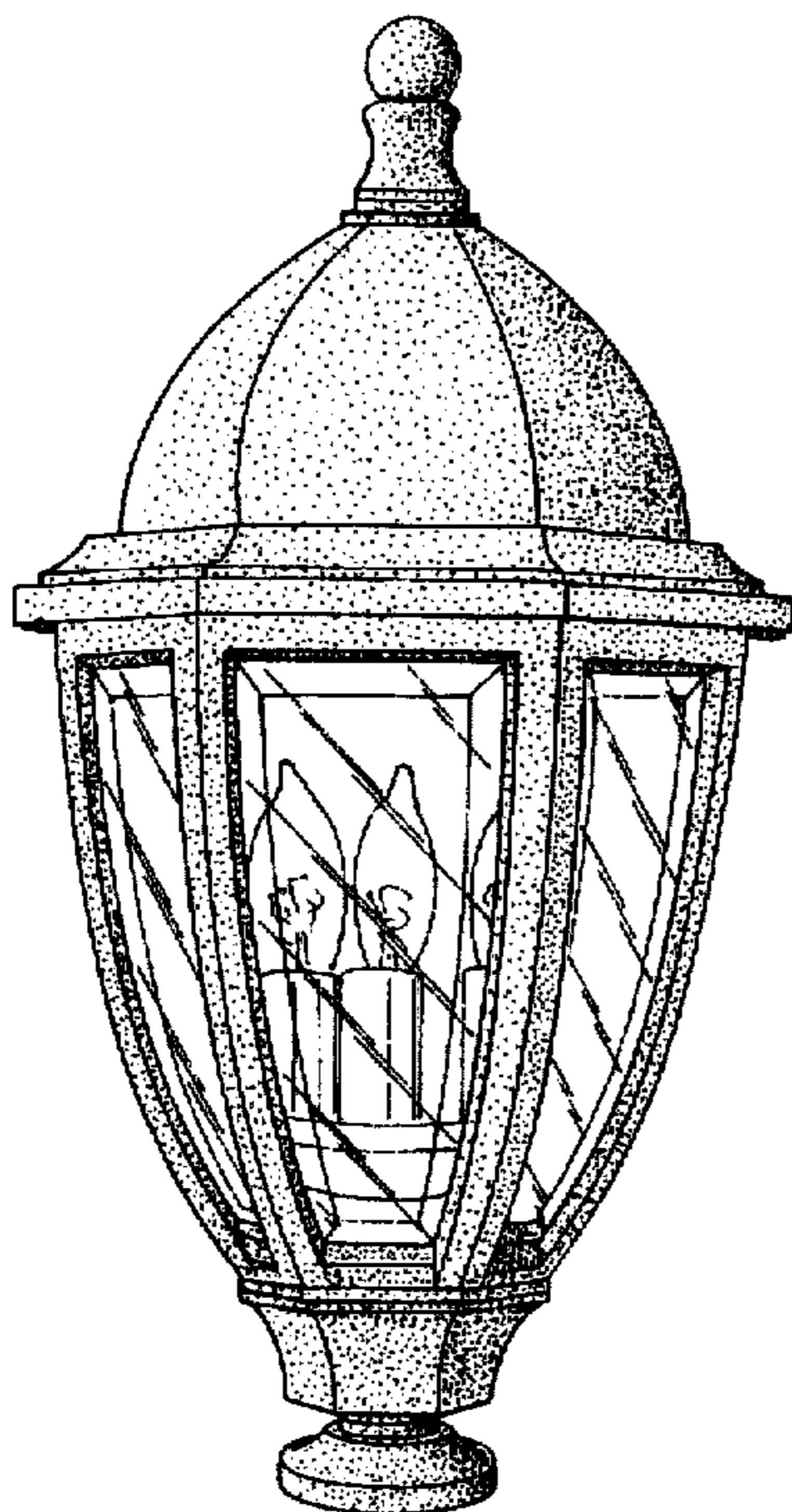
The post is shown in broken lines in FIGS. 2 and 4 for illustrative purposes only and forms no part of the claimed design.

[56] References Cited

U.S. PATENT DOCUMENTS

D. 66,189	12/1924	Jaeger	D26/87
D. 73,817	11/1927	Bardwell	D26/87
D. 73,937	11/1927	Lindsay	D26/87
D. 206,083	10/1966	Rosen et al.	D26/87
D. 318,930	8/1991	Choi	D26/87
D. 354,150	1/1995	Porter	D26/87 X
4,635,168	1/1987	Crowley	362/147

1 Claim, 2 Drawing Sheets



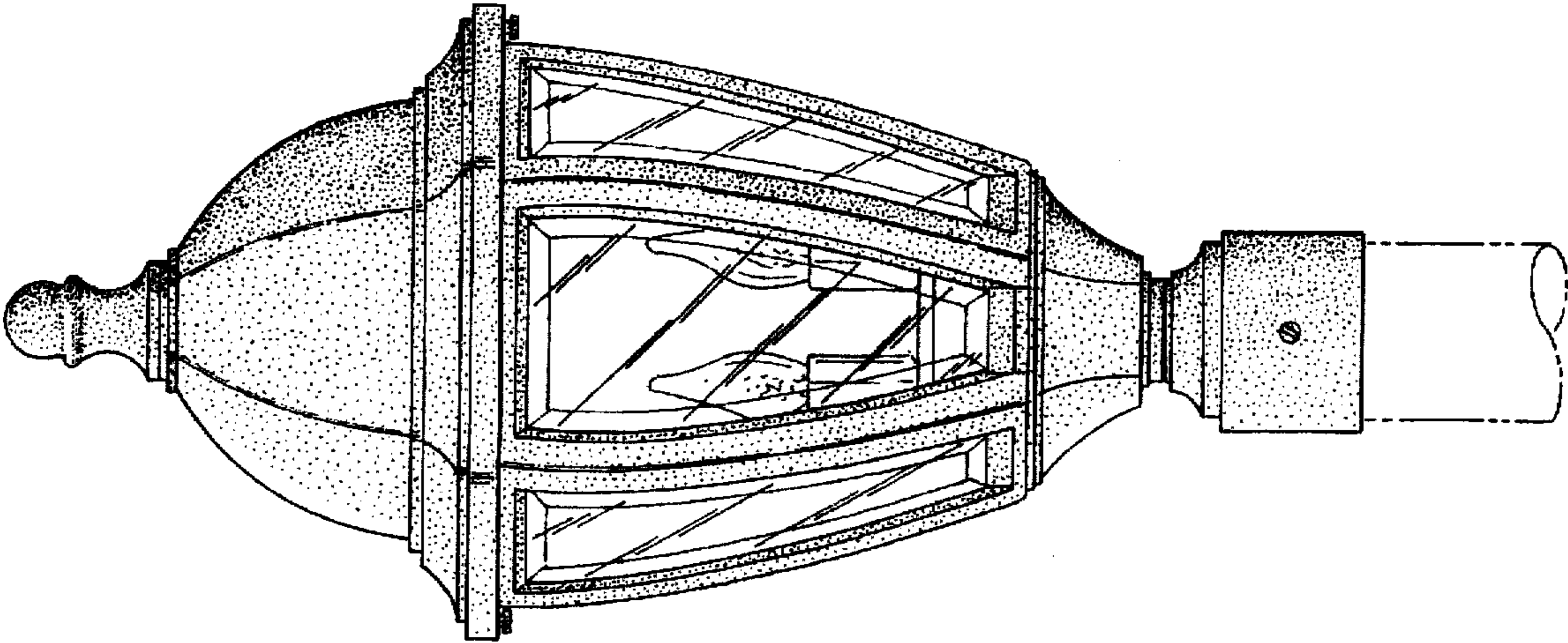


FIG.-2

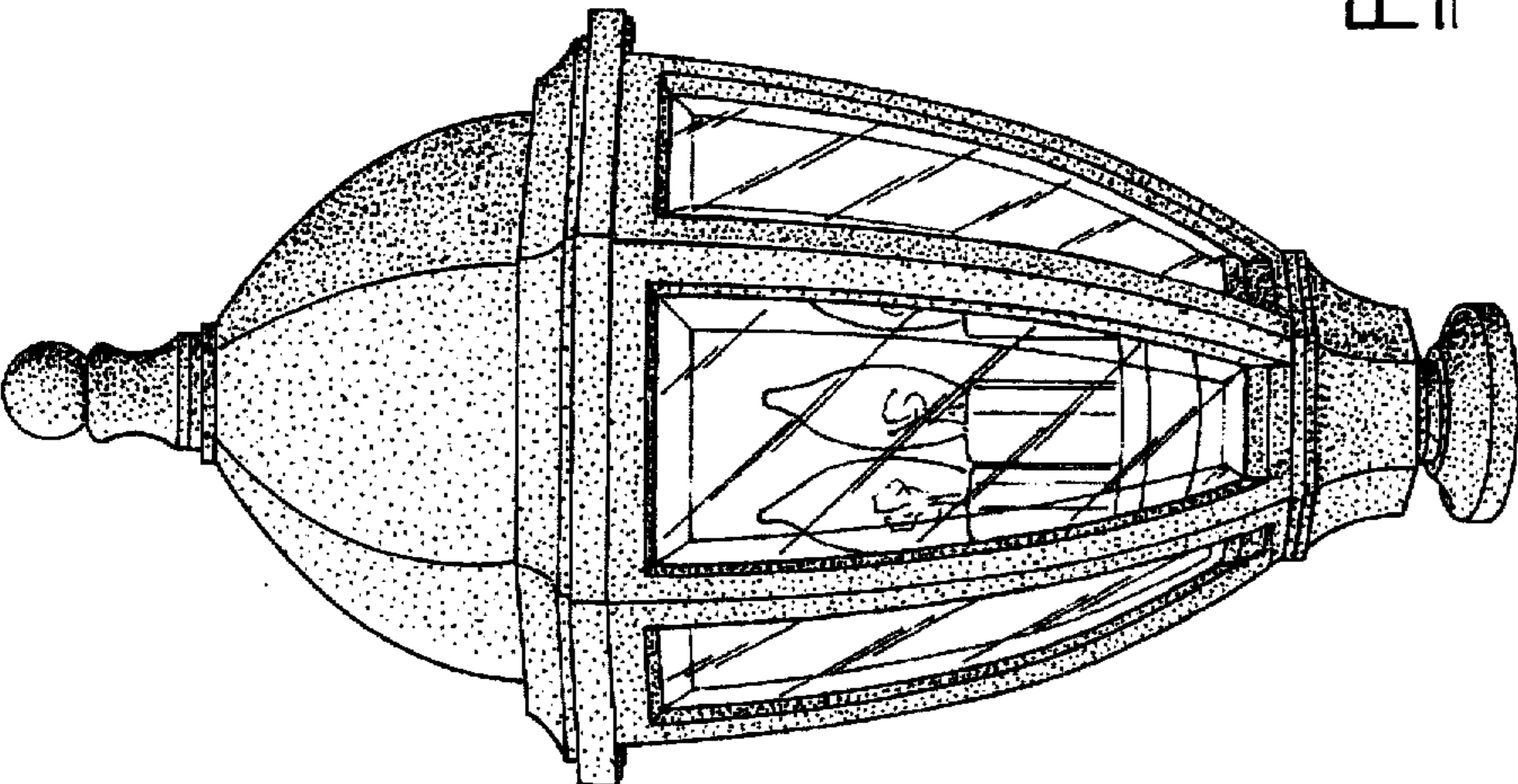


FIG.-1

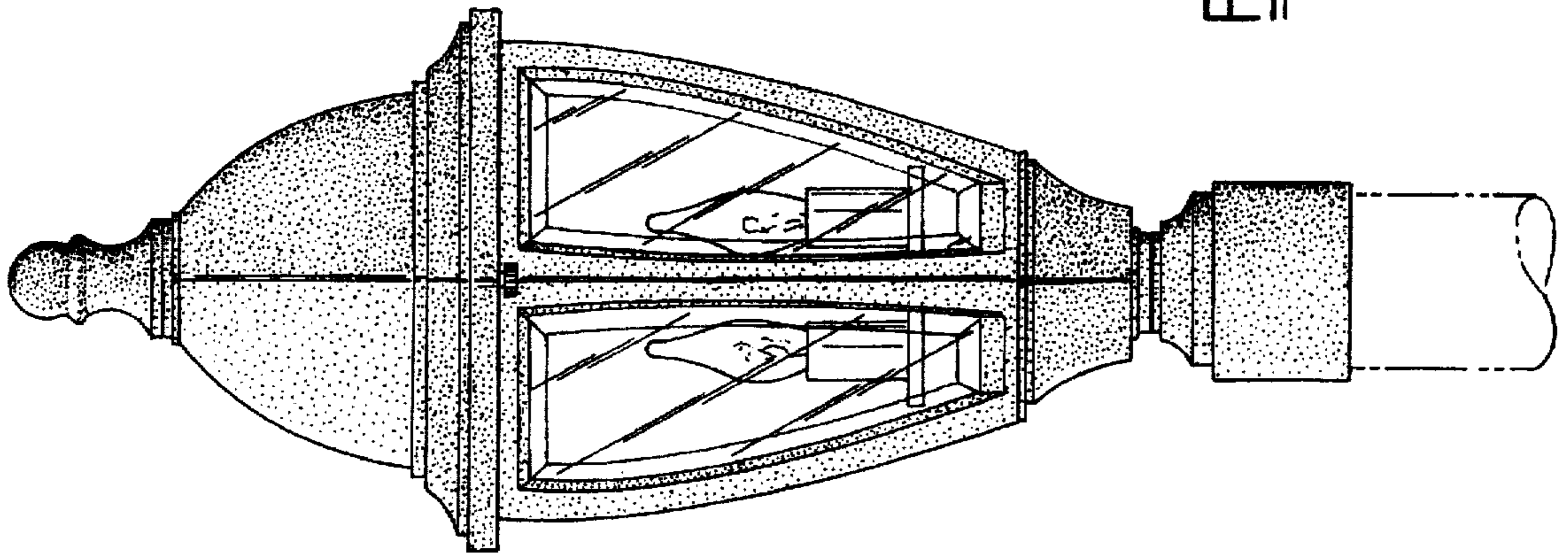


FIG. - 4

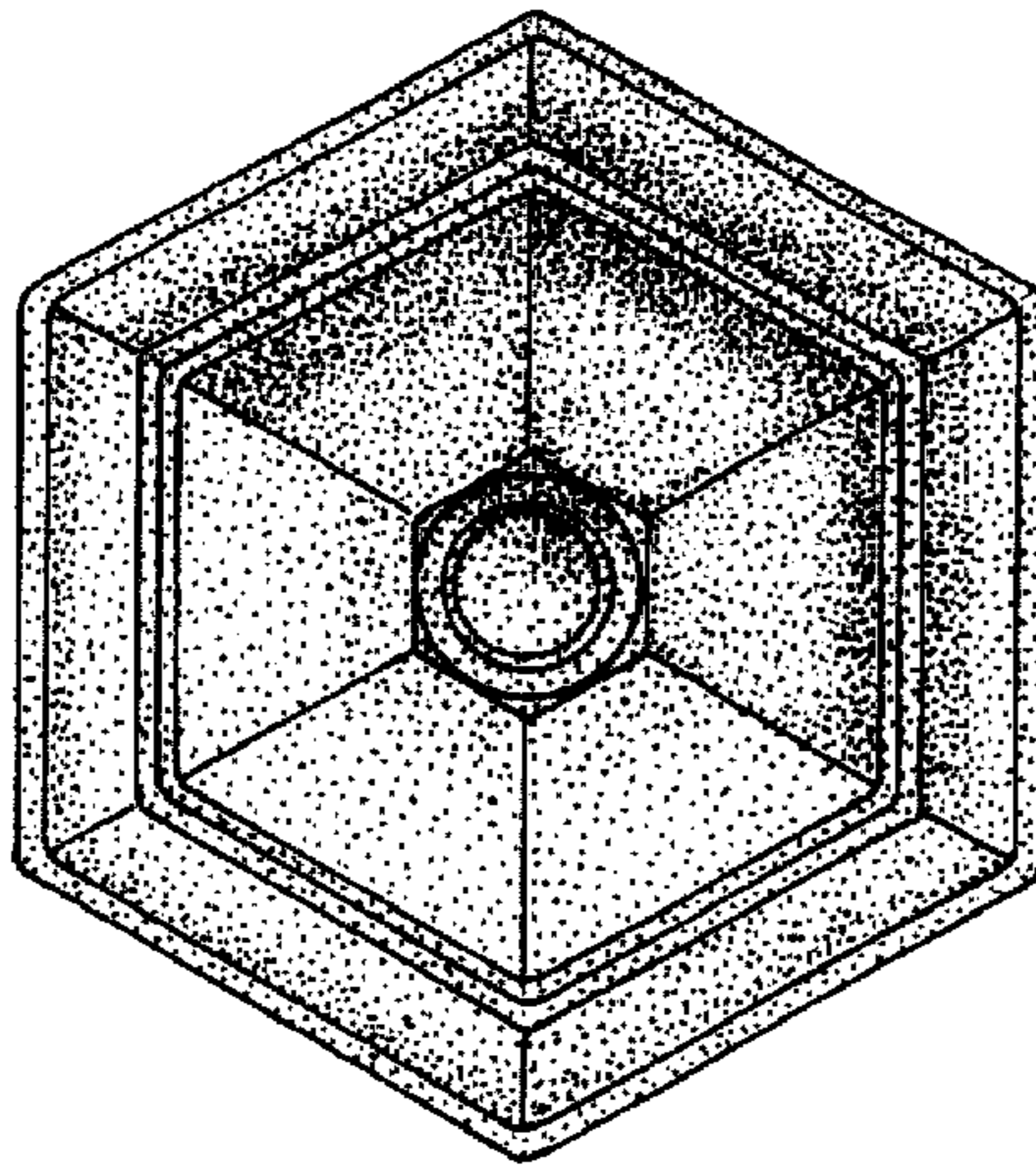


FIG. - 3