



US00D387457S

United States Patent [19]

Bennett

[11] Patent Number: Des. 387,457

[45] Date of Patent: **Dec. 9, 1997

[54] **DUAL LIGHT FOR A BENCH GRINDER**

[75] Inventor: **Jeffrey E. Bennett**, Newhall, Calif.

[73] Assignee: **Allied Wholesale, Inc.**, Sylmar, Calif.

[**] Term: **14 Years**

[21] Appl. No.: **59,021**

[22] Filed: **Aug. 30, 1996**

[51] LOC (6) Cl. **26-05**

[52] U.S. Cl. **D26/62**

[58] Field of Search D26/62; 362/12, 362/33, 89, 157, 158, 171-178, 183-208, 209-215, 226, 98, 18, 268, 269, 275, 287, 410-414, 418, 419, 427, 428, 431

[56] **References Cited**

U.S. PATENT DOCUMENTS

D. 306,351 2/1990 Charet et al. D26/62 X
4,053,761 10/1977 Brinkley 362/413

Primary Examiner—Antoine Duval Davis
Attorney, Agent, or Firm—Lyon & Lyon LLP

[57] **CLAIM**

The ornamental design for a dual light for a bench grinder, as shown and described.

DESCRIPTION

FIG. 1 is a front, left perspective view of a dual light for a bench grinder showing my new design;
FIG. 2 is a front, left perspective view thereof, but showing the left light arm flexed in a different position;
FIG. 3 is a top plan view thereof shown in its environment;
FIG. 4 is a front elevational view thereof shown in its environment;
FIG. 5 is a left elevational view thereof shown in its environment;
FIG. 6 is a bottom plan view thereof shown in its environment;
FIG. 7 is a rear elevational view thereof shown in its environment;

FIG. 8 is a front, left elevational view showing another embodiment of my new design for a dual light for a bench grinder;
FIG. 9 is a top plan view thereof shown in its environment;
FIG. 10 is a front elevational view thereof shown in its environment;
FIG. 11 is a left elevational view thereof shown in its environment;
FIG. 12 is a bottom plan view thereof shown in its environment;
FIG. 13 is a rear elevational view thereof shown in its environment;
FIG. 14 is a top plan view showing another embodiment of my new design for a dual light for a bench grinder in its environment;
FIG. 15 is a front elevational view thereof;
FIG. 16 is a left elevational view thereof;
FIG. 17 is a bottom plan view thereof;
FIG. 18 is a rear elevational view thereof;
FIG. 19 is a top plan view showing another embodiment of my new design for a dual light for a bench grinder in its environment;
FIG. 20 is a front elevational view thereof;
FIG. 21 is a left elevational view thereof;
FIG. 22 is a bottom plan view thereof;
FIG. 23 is a rear elevational view thereof;
FIG. 24 is a top plan view showing another embodiment of my new design for a dual light for a bench grinder in its environment;
FIG. 25 is a front elevational view thereof;
FIG. 26 is a left elevational view thereof;
FIG. 27 is a bottom plan view thereof;
FIG. 28 is a rear elevational view thereof;
FIG. 29 is a top plan view showing another embodiment of my new design for a dual light for a bench grinder in its environment;
FIG. 30 is a front elevational view thereof;
FIG. 31 is a left elevational view thereof;
FIG. 32 is a bottom plan view thereof;
FIG. 33 is a rear elevational view thereof;
FIG. 34 is a top plan view showing another embodiment of my new design for a dual light for a bench grinder in its environment;
FIG. 35 is a front elevational view thereof;
FIG. 36 is a left elevational view thereof;
FIG. 37 is a bottom plan view thereof; and,

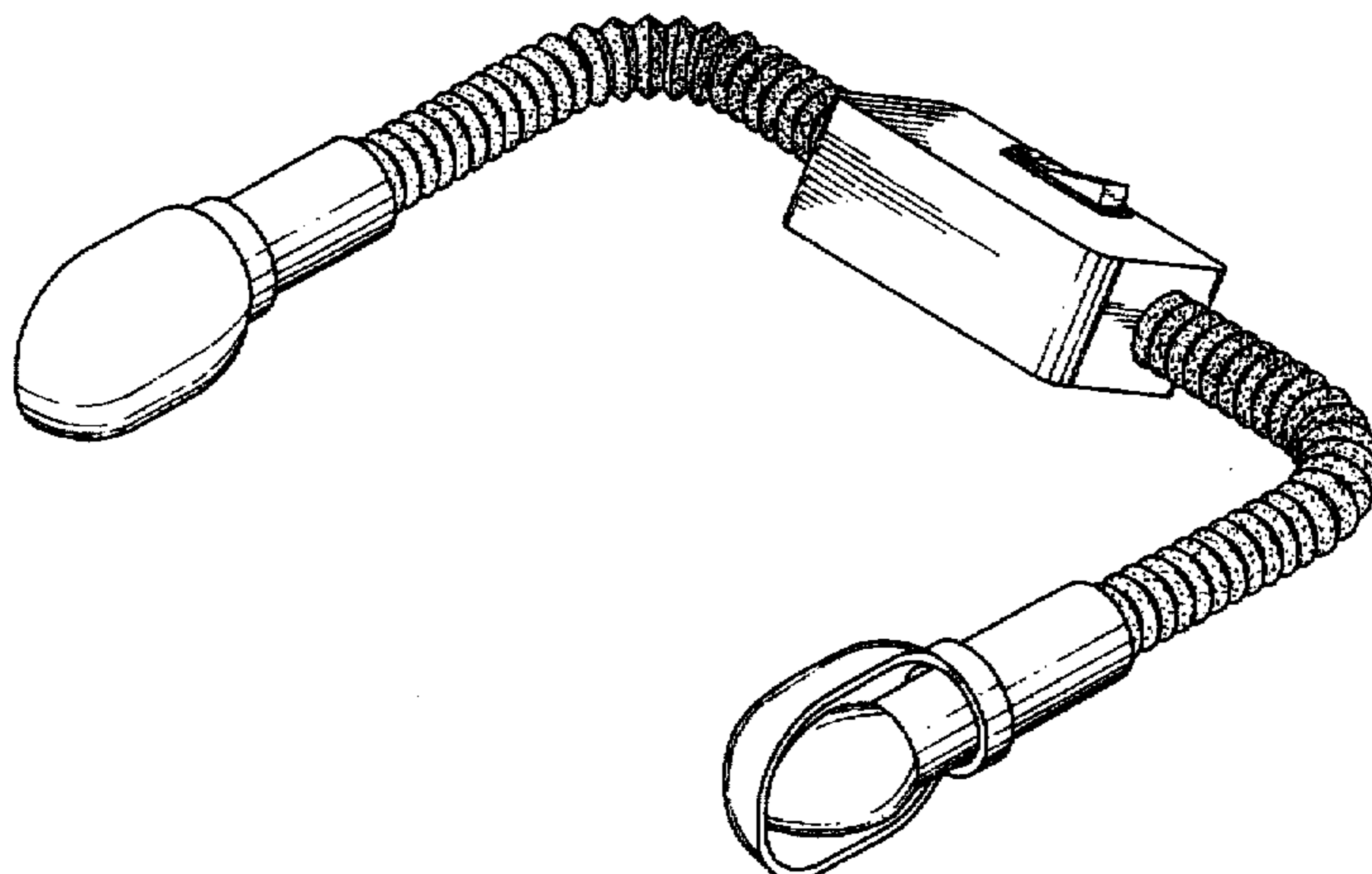


FIG. 38 is a rear elevational view thereof. The right elevational view of each of the embodiments has been omitted as it is identical to the left elevational view of each of the respective embodiments. The items shown in

phantom are for illustrative purposes only and form no part of the claimed design.

1 Claim, 23 Drawing Sheets

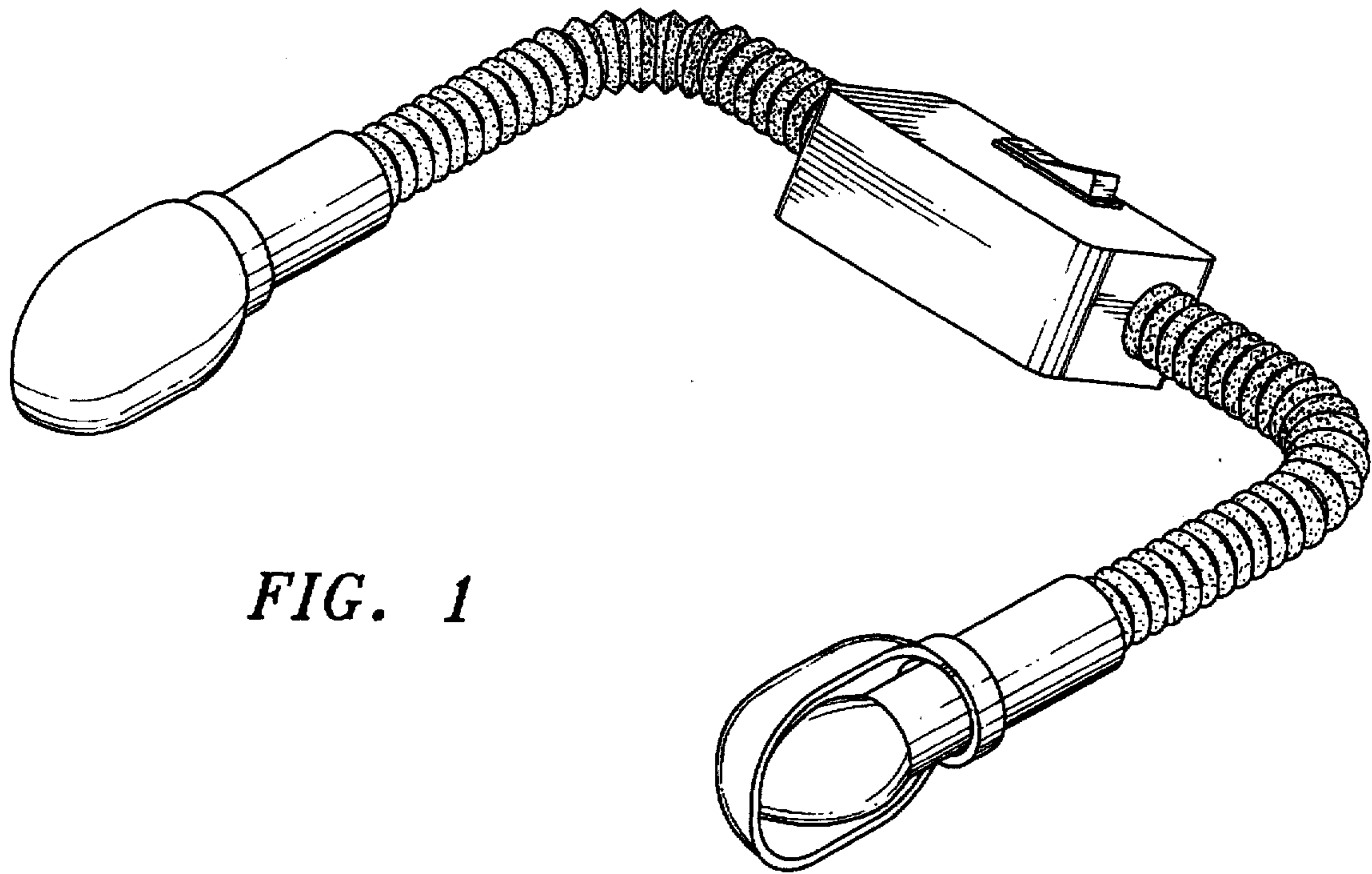


FIG. 1

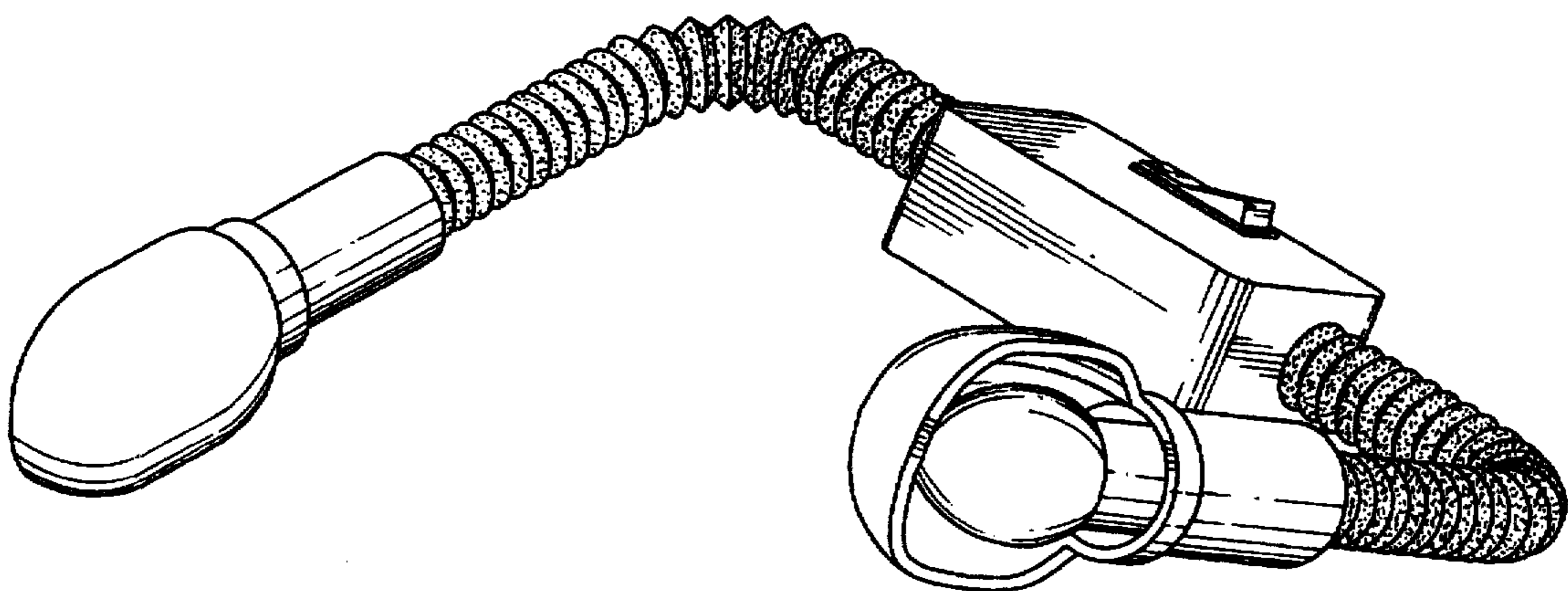


FIG. 2

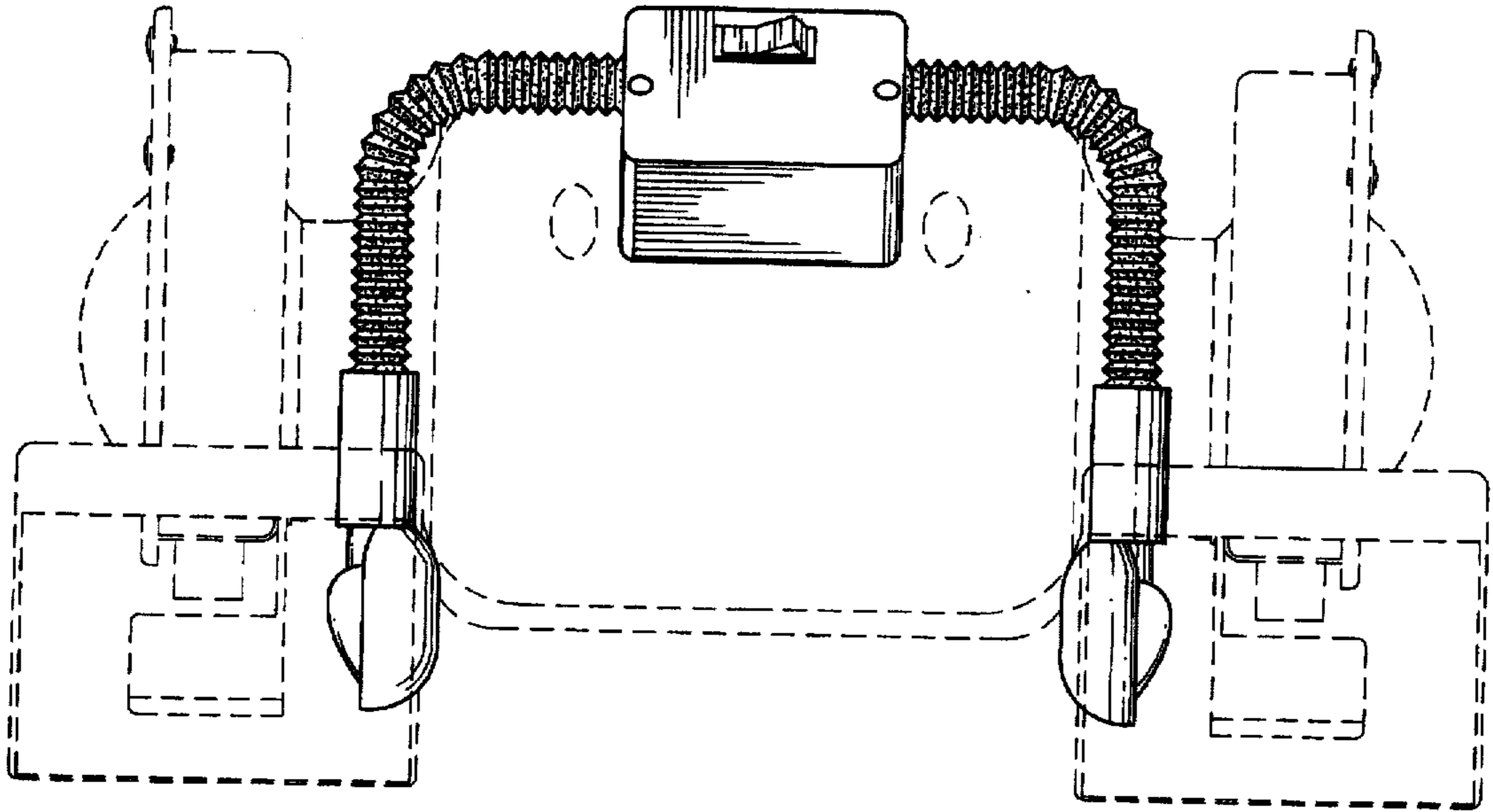


FIG. 3

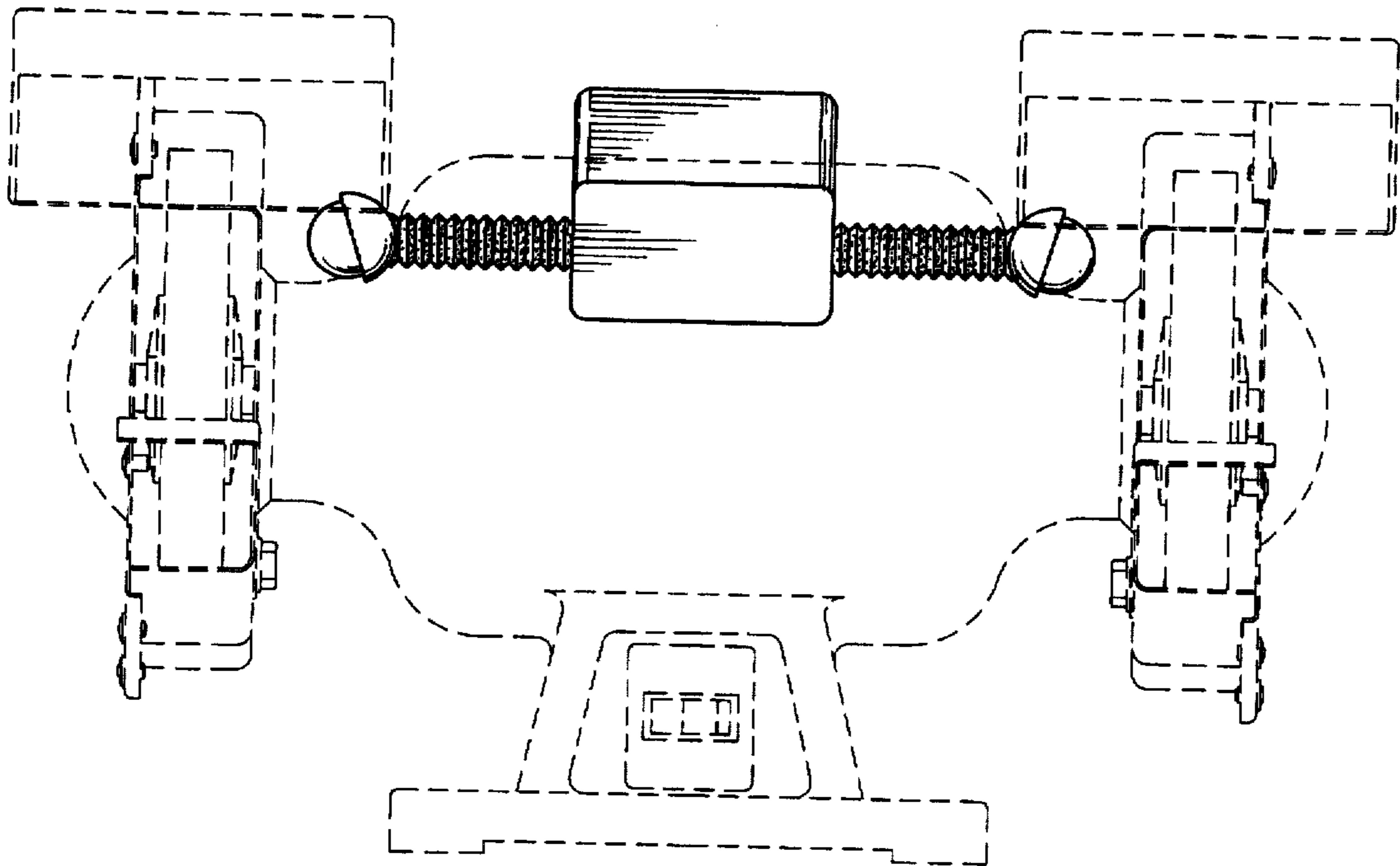


FIG. 4

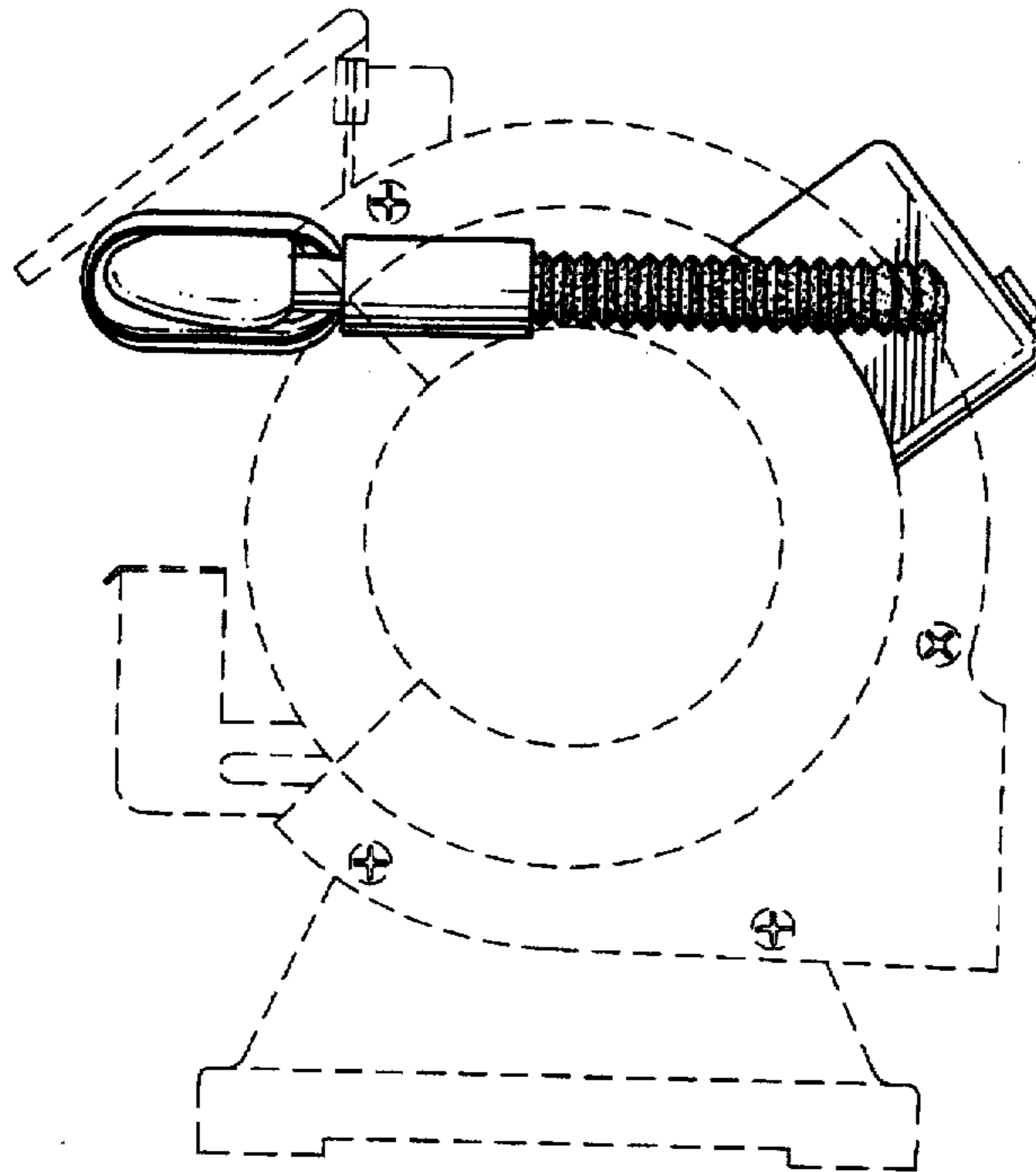


FIG. 5

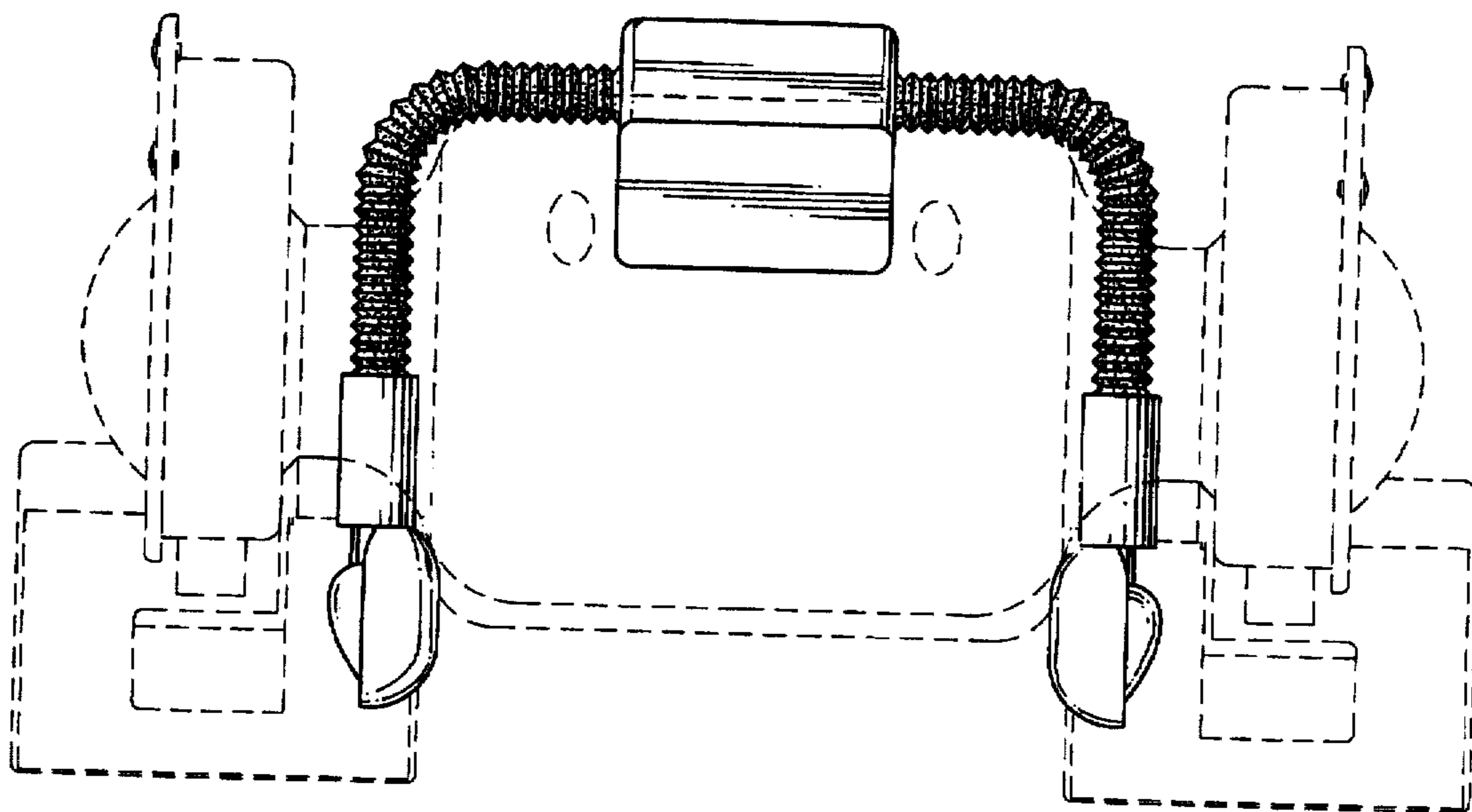


FIG. 6

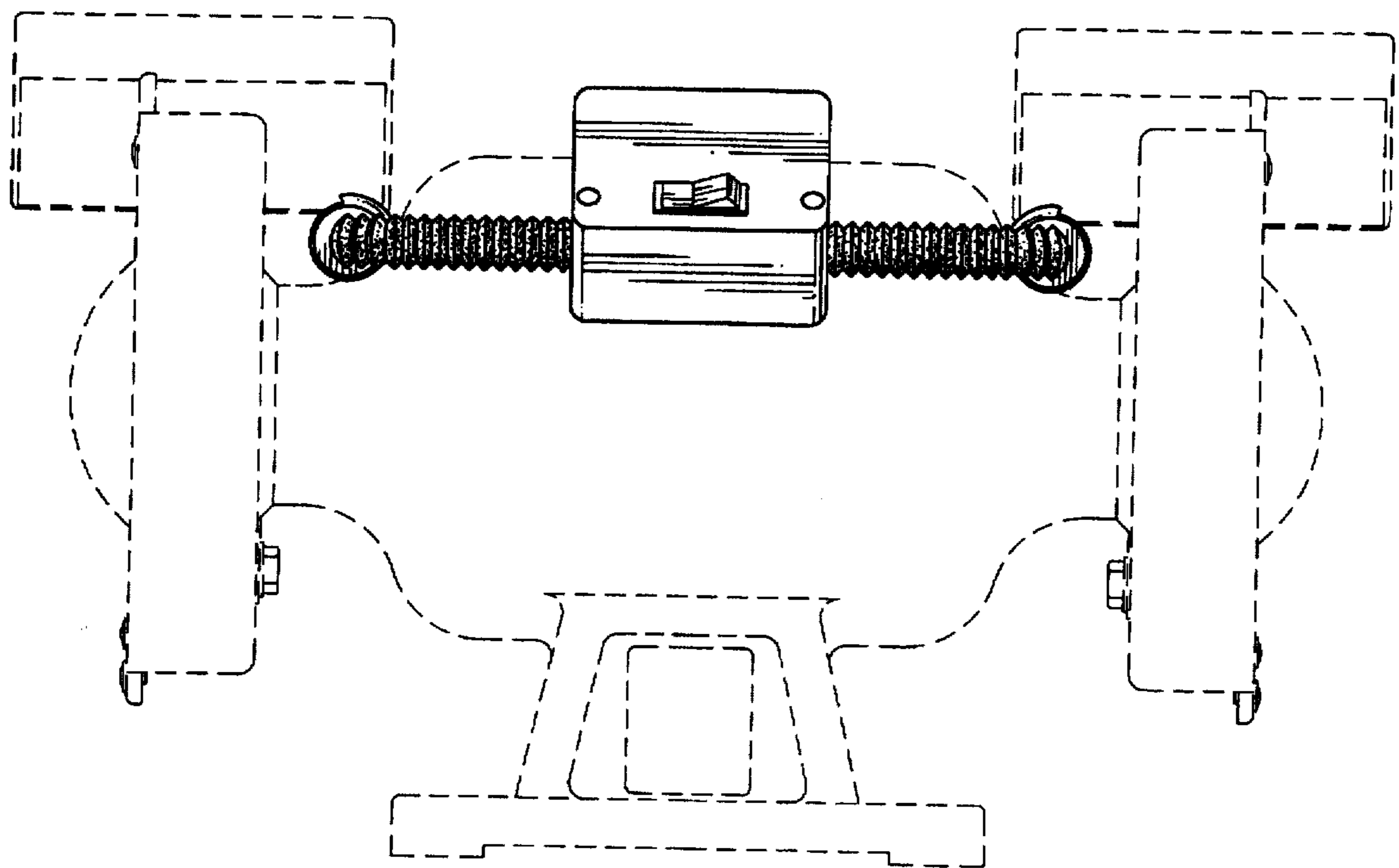


FIG. 7

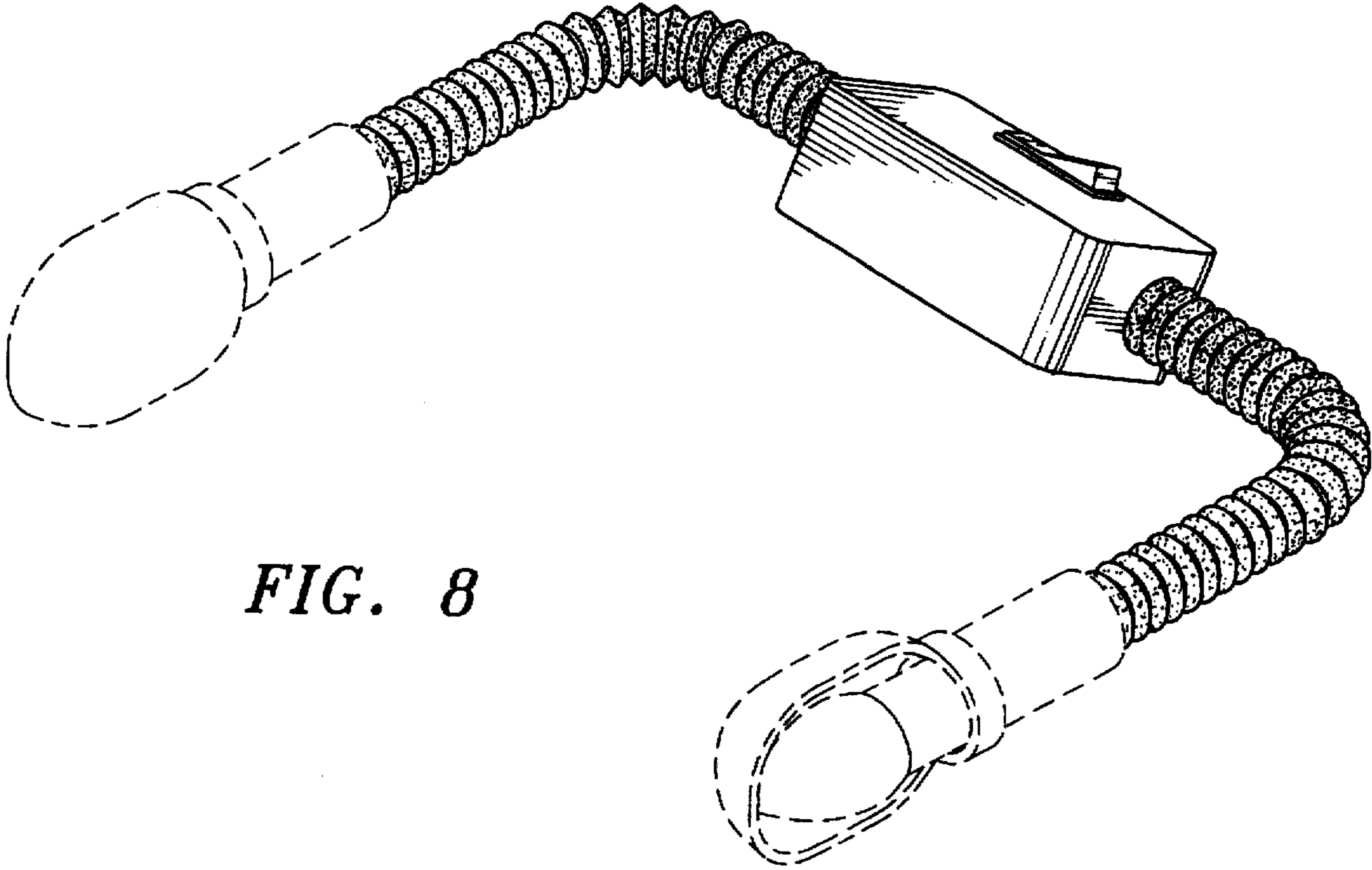


FIG. 8

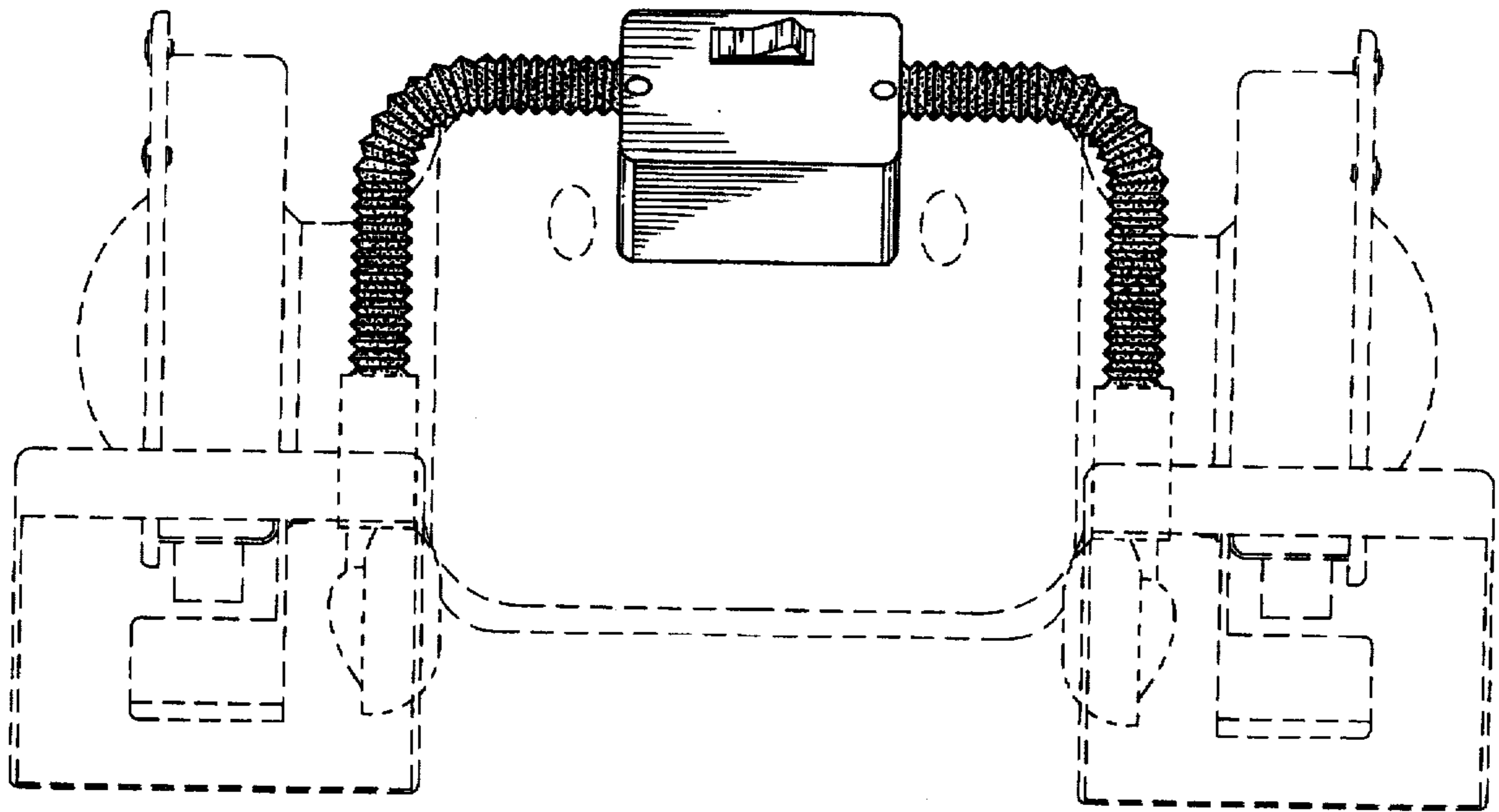


FIG. 9

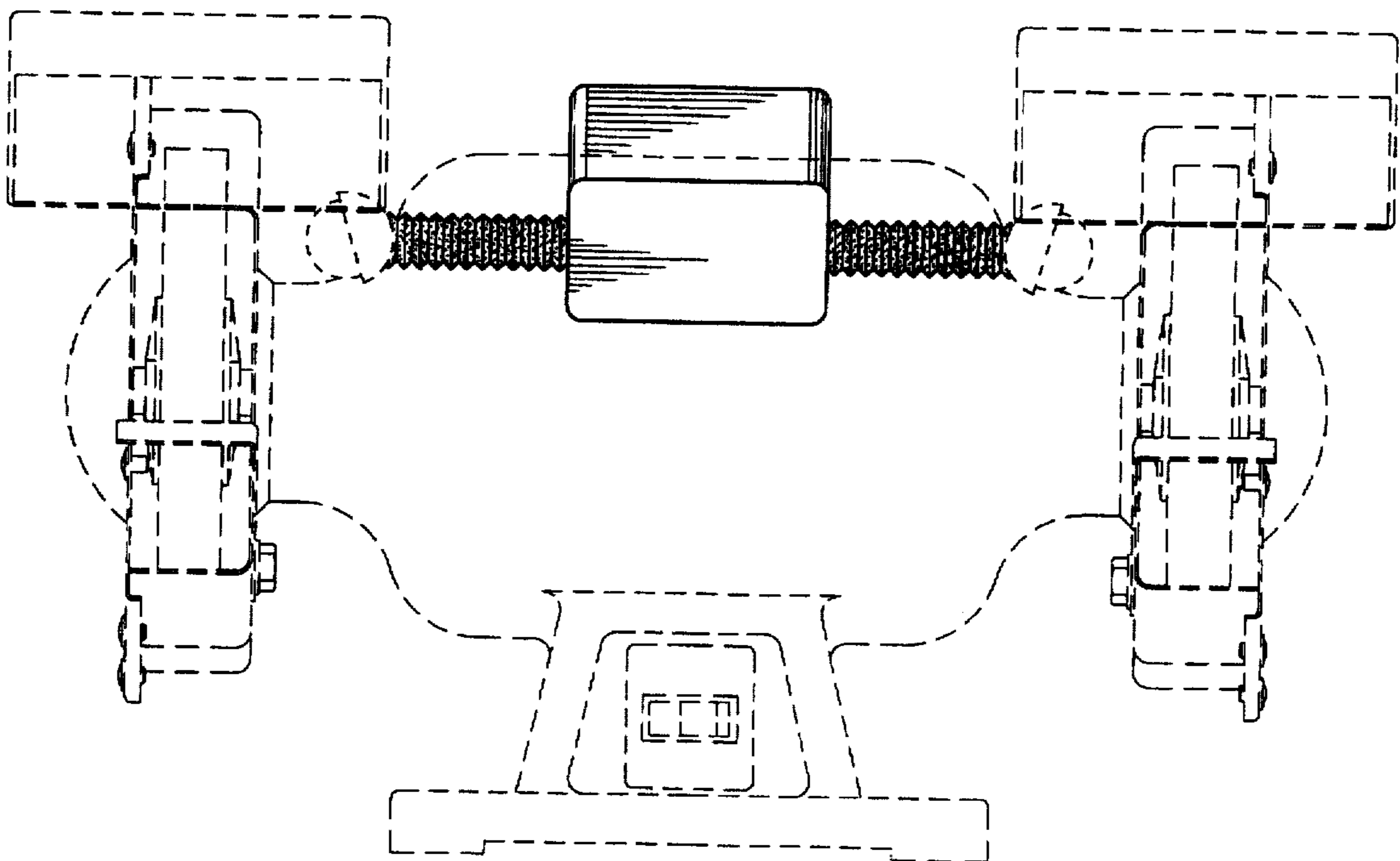


FIG. 10

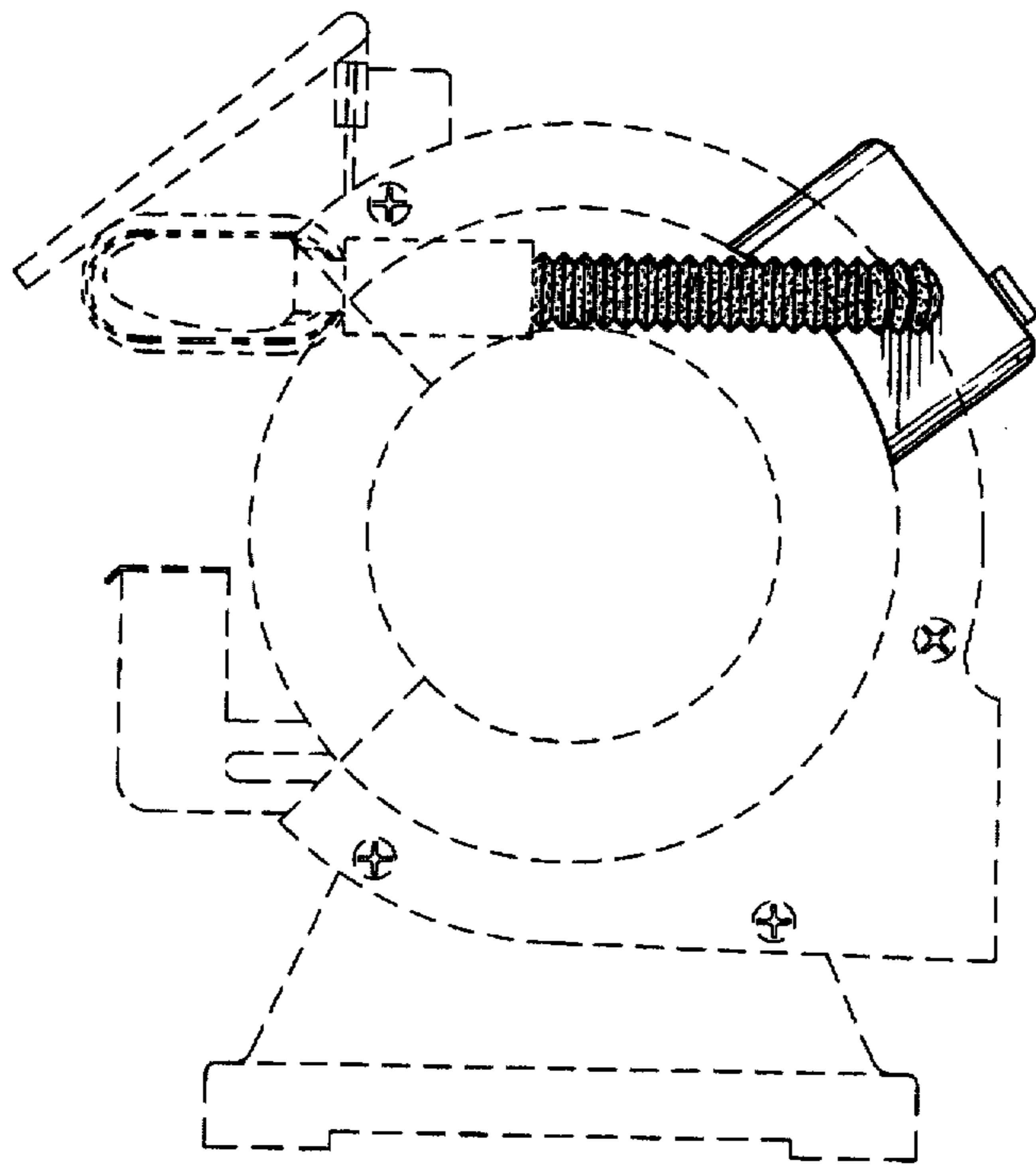


FIG. 11

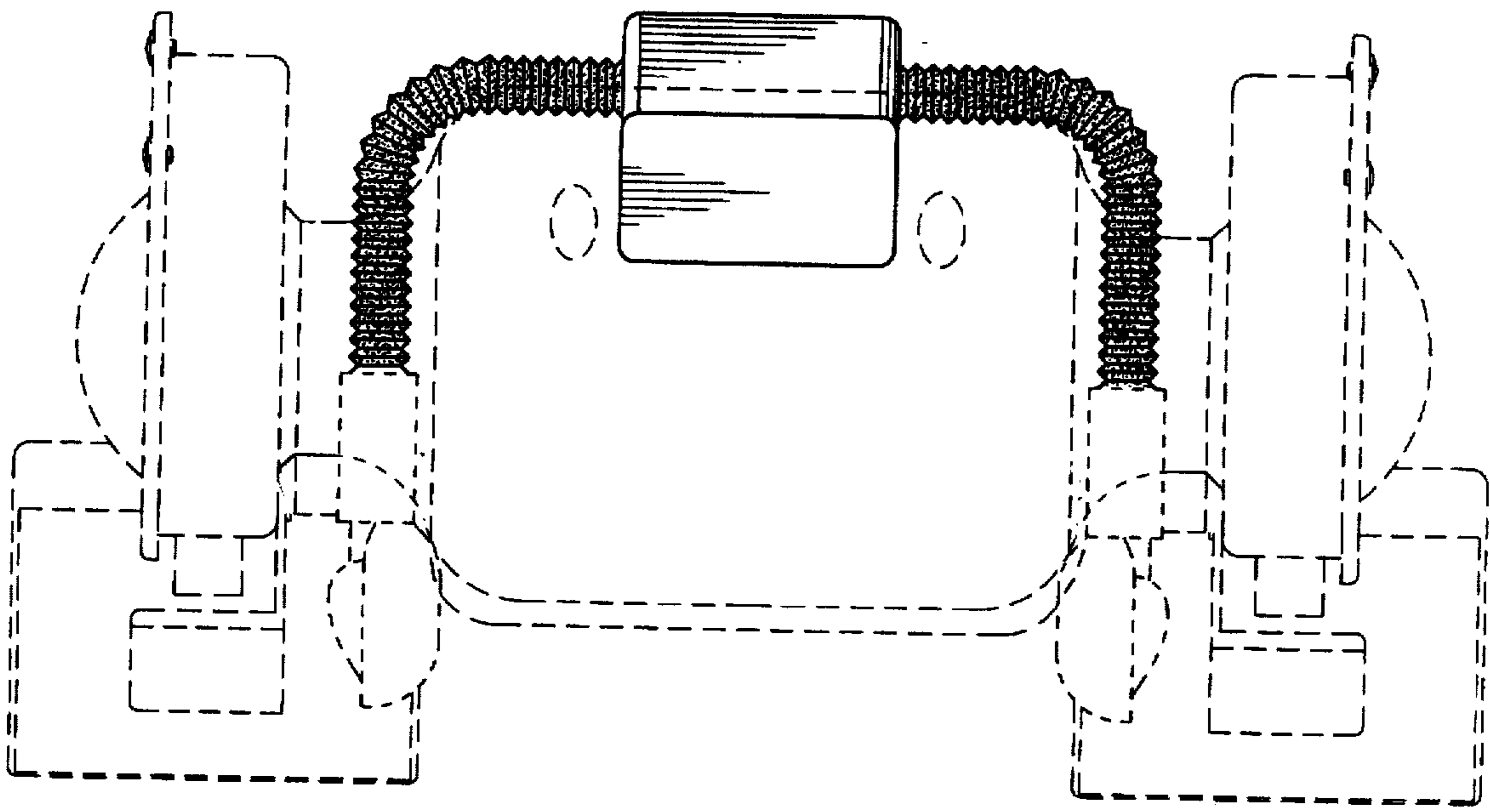


FIG. 12

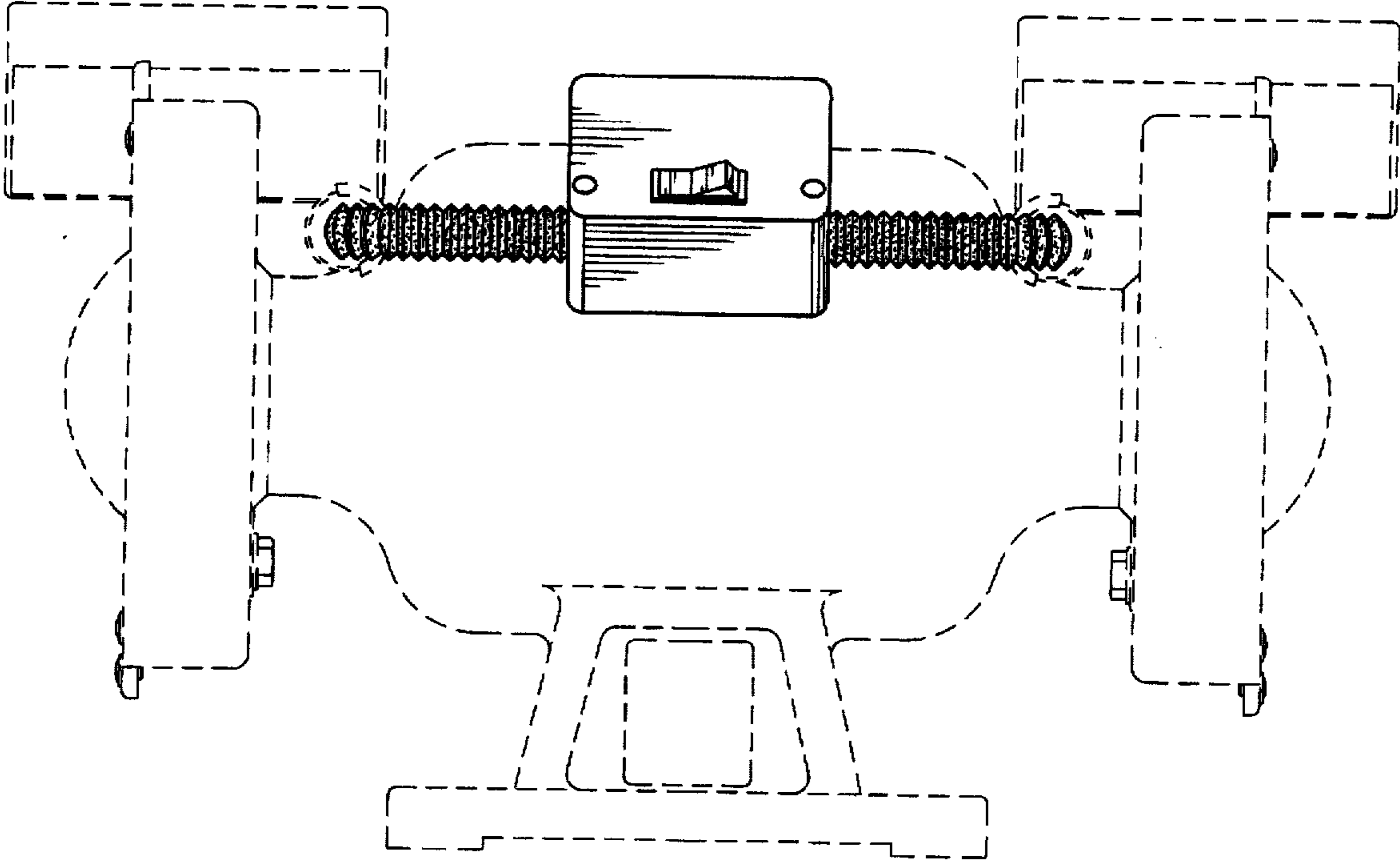


FIG. 13

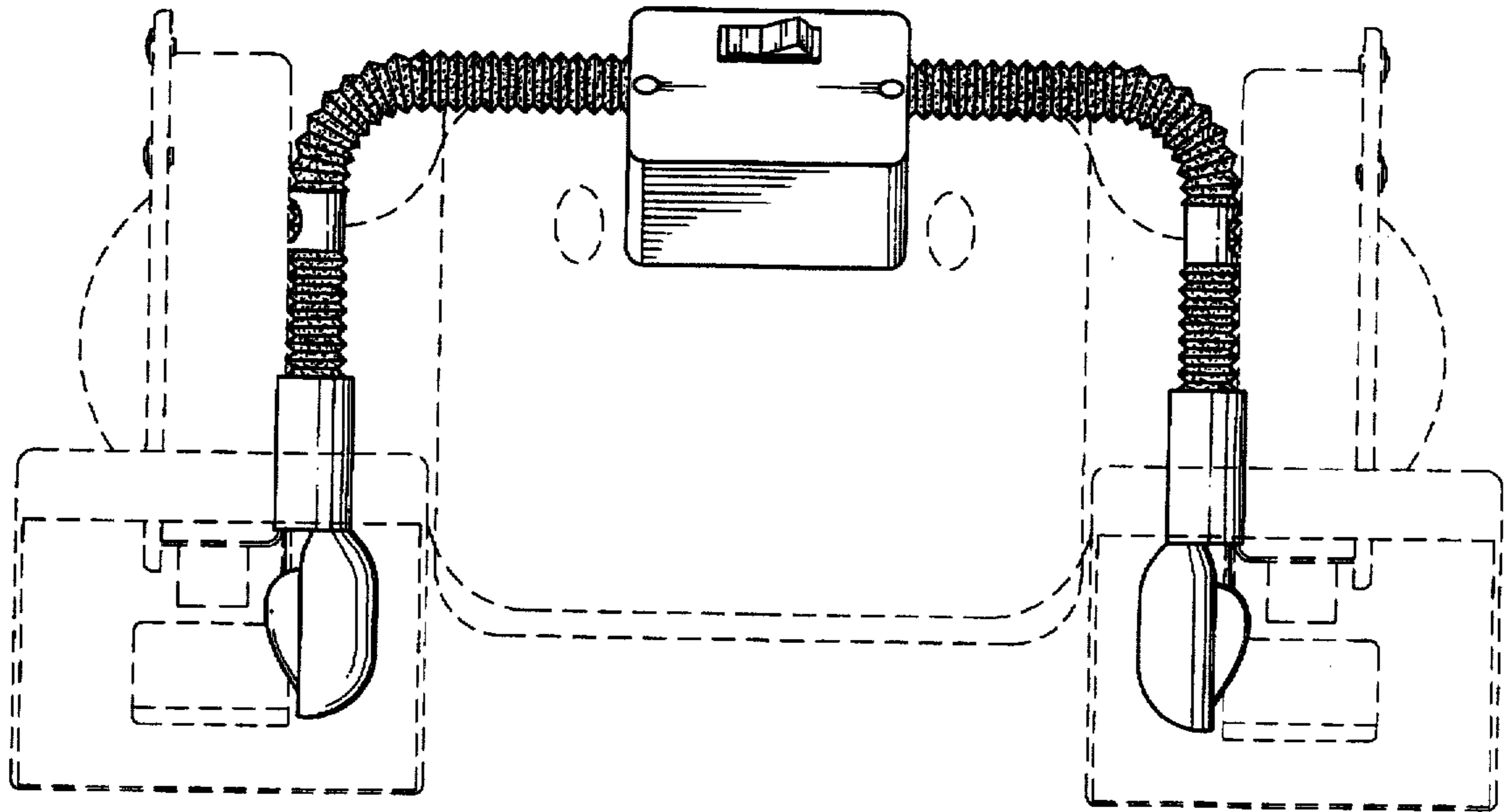


FIG. 14

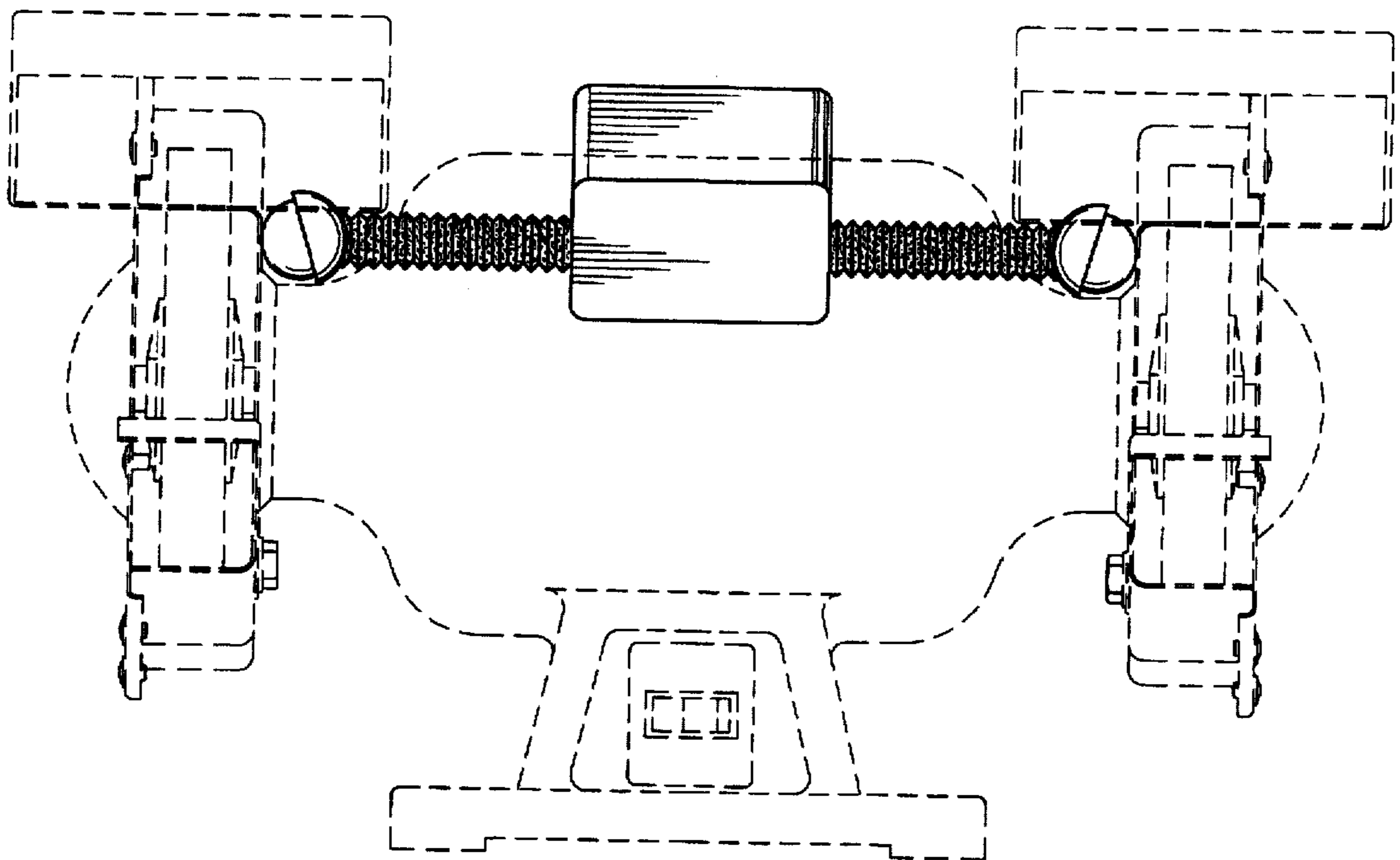


FIG. 15

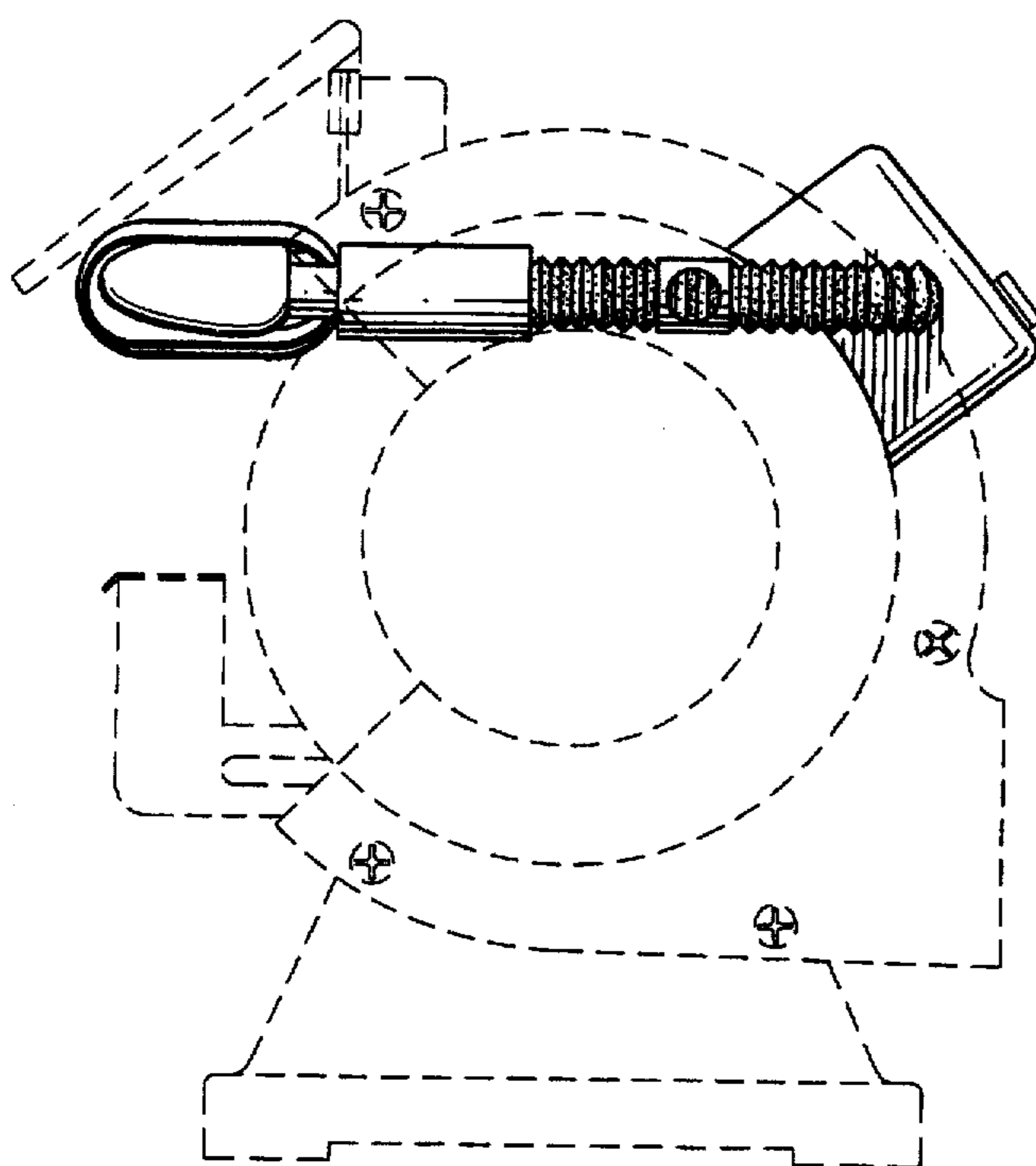


FIG. 16

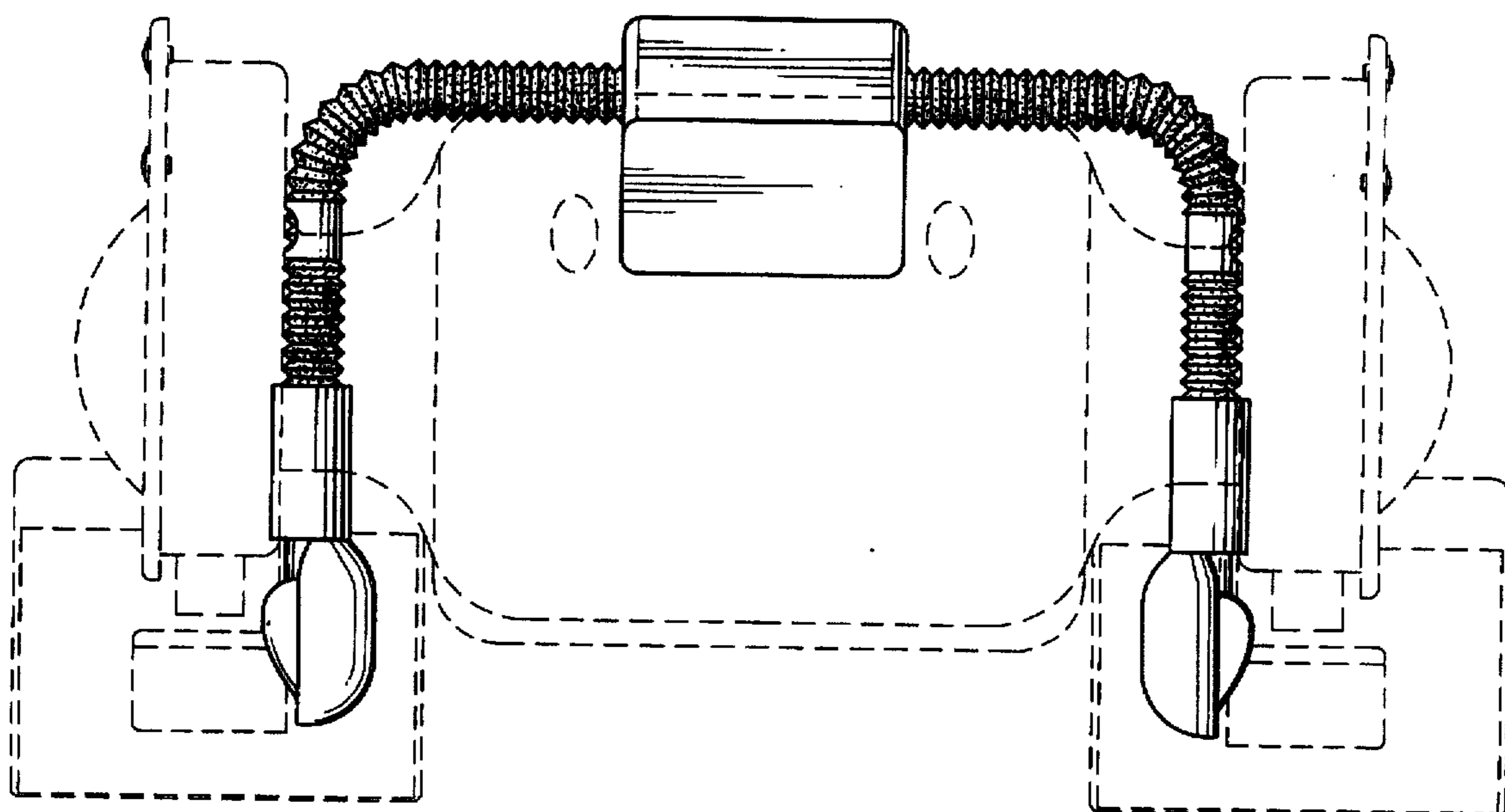


FIG. 17

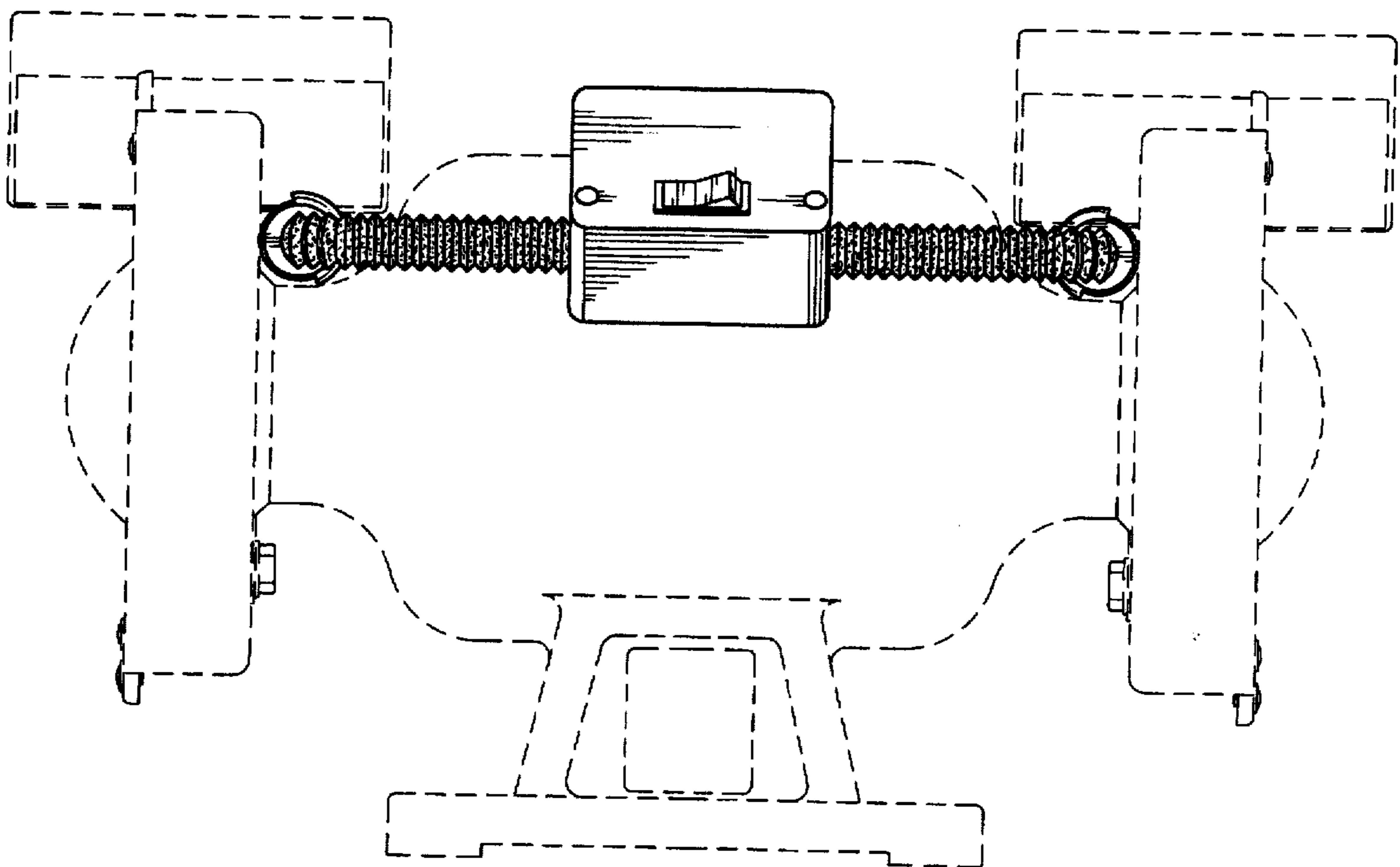


FIG. 18

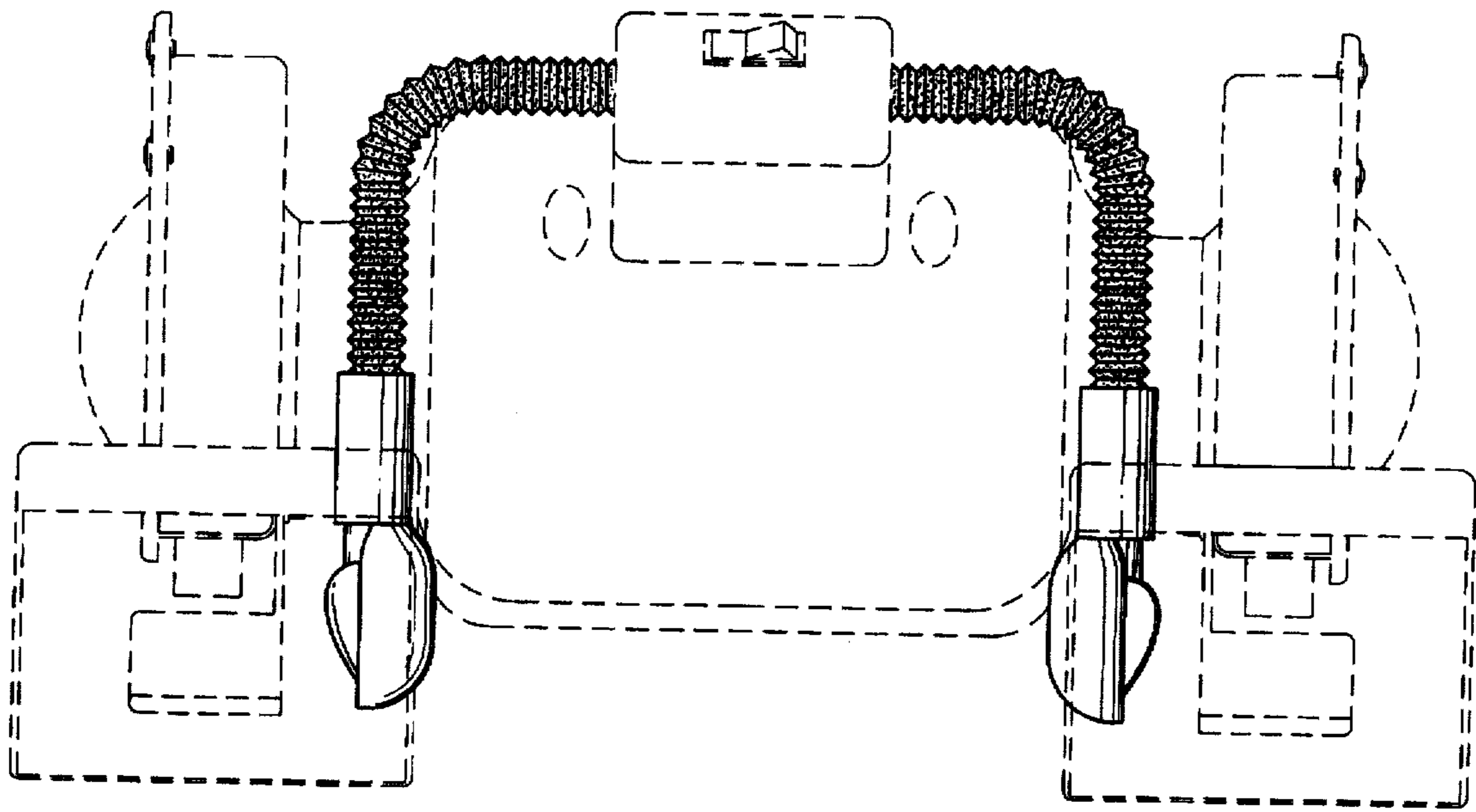


FIG. 19

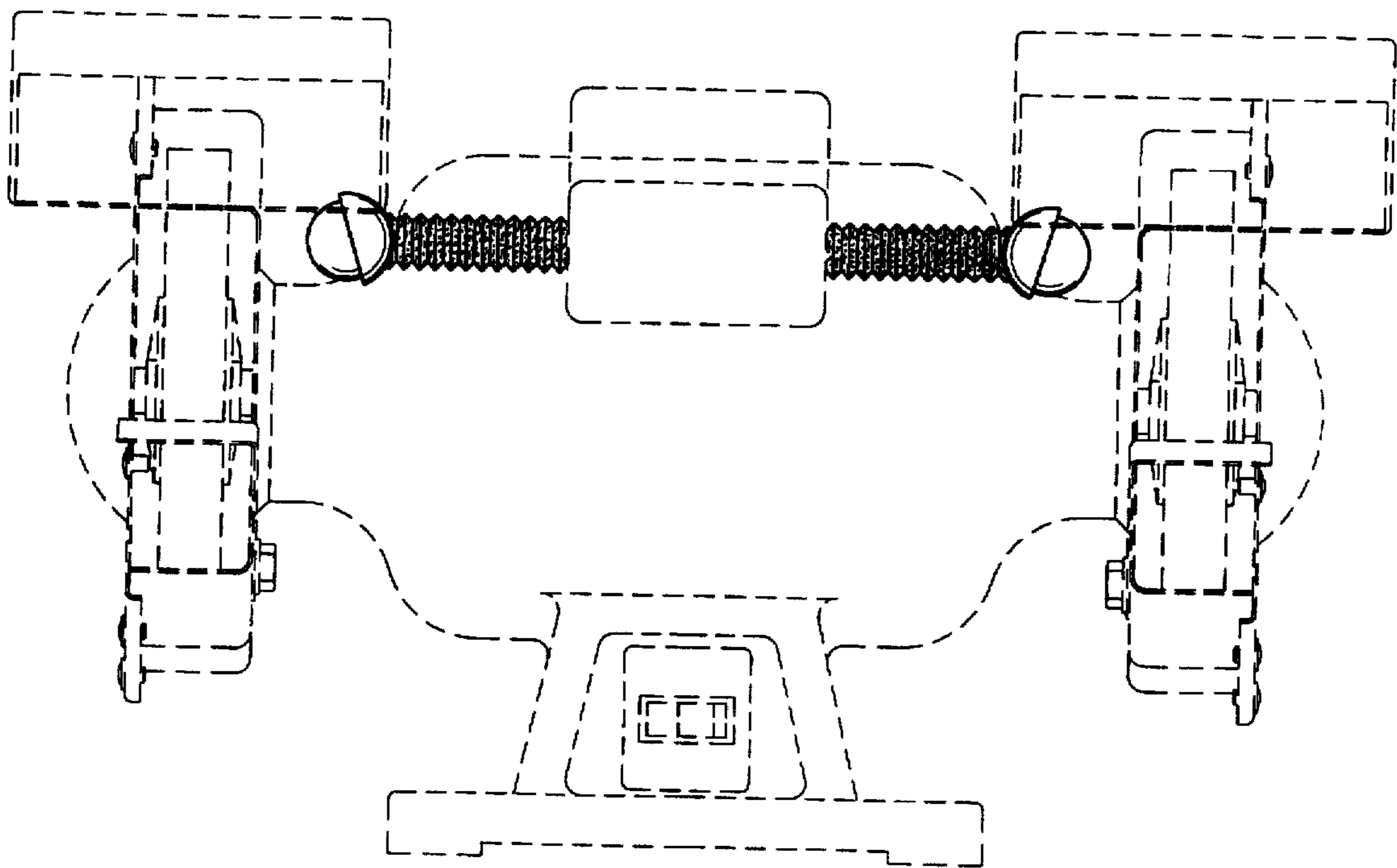


FIG. 20

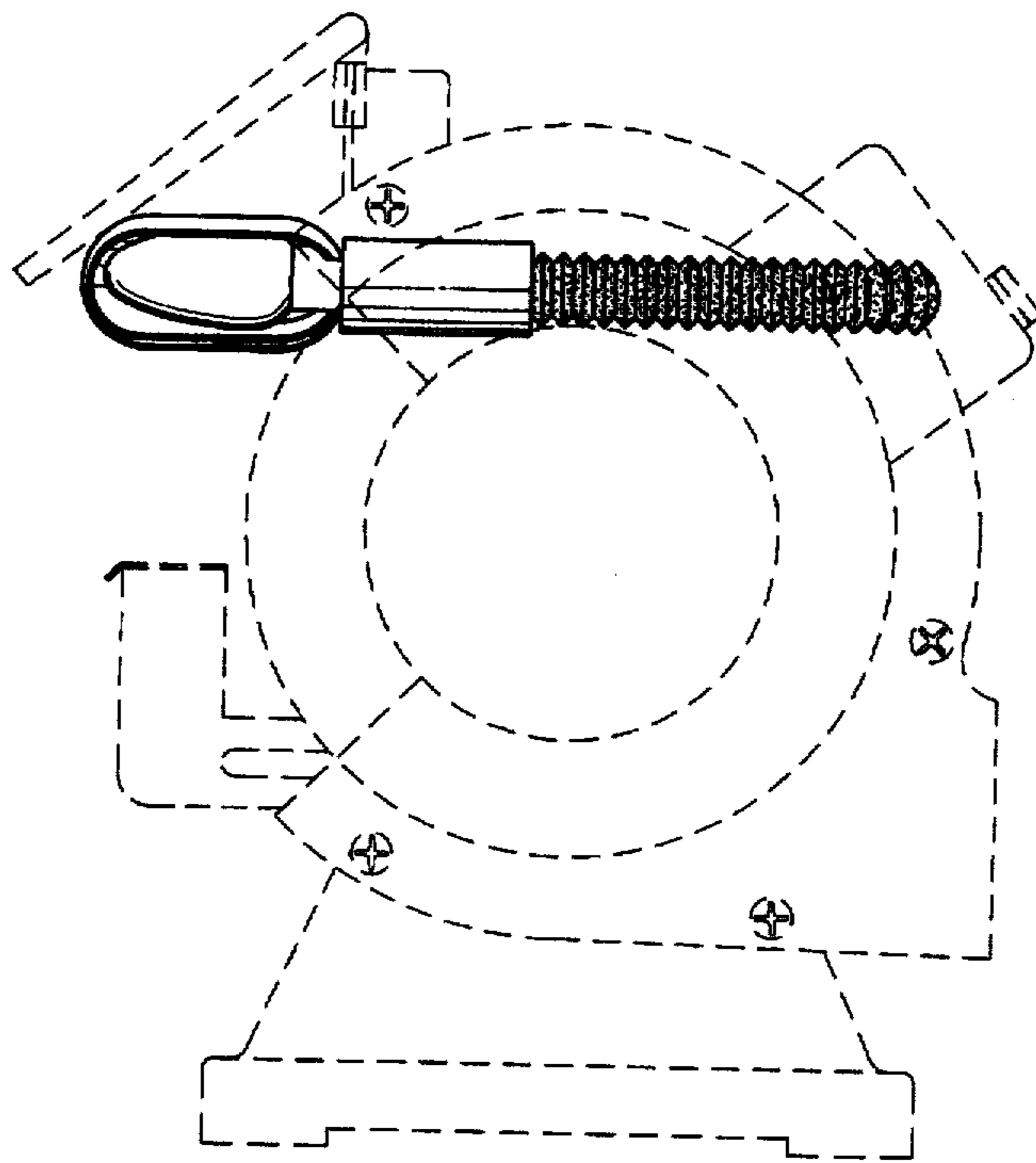


FIG. 21

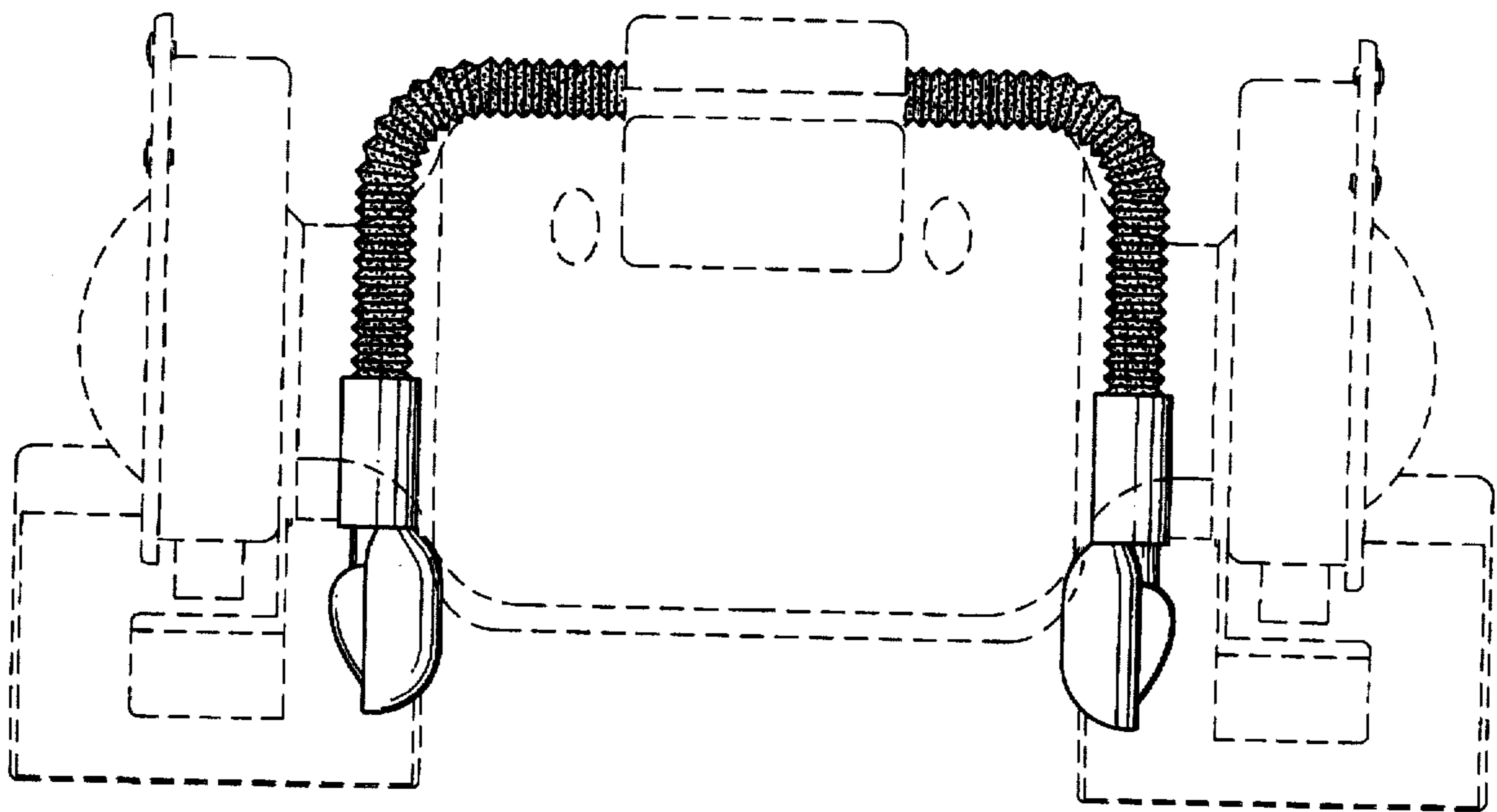


FIG. 22

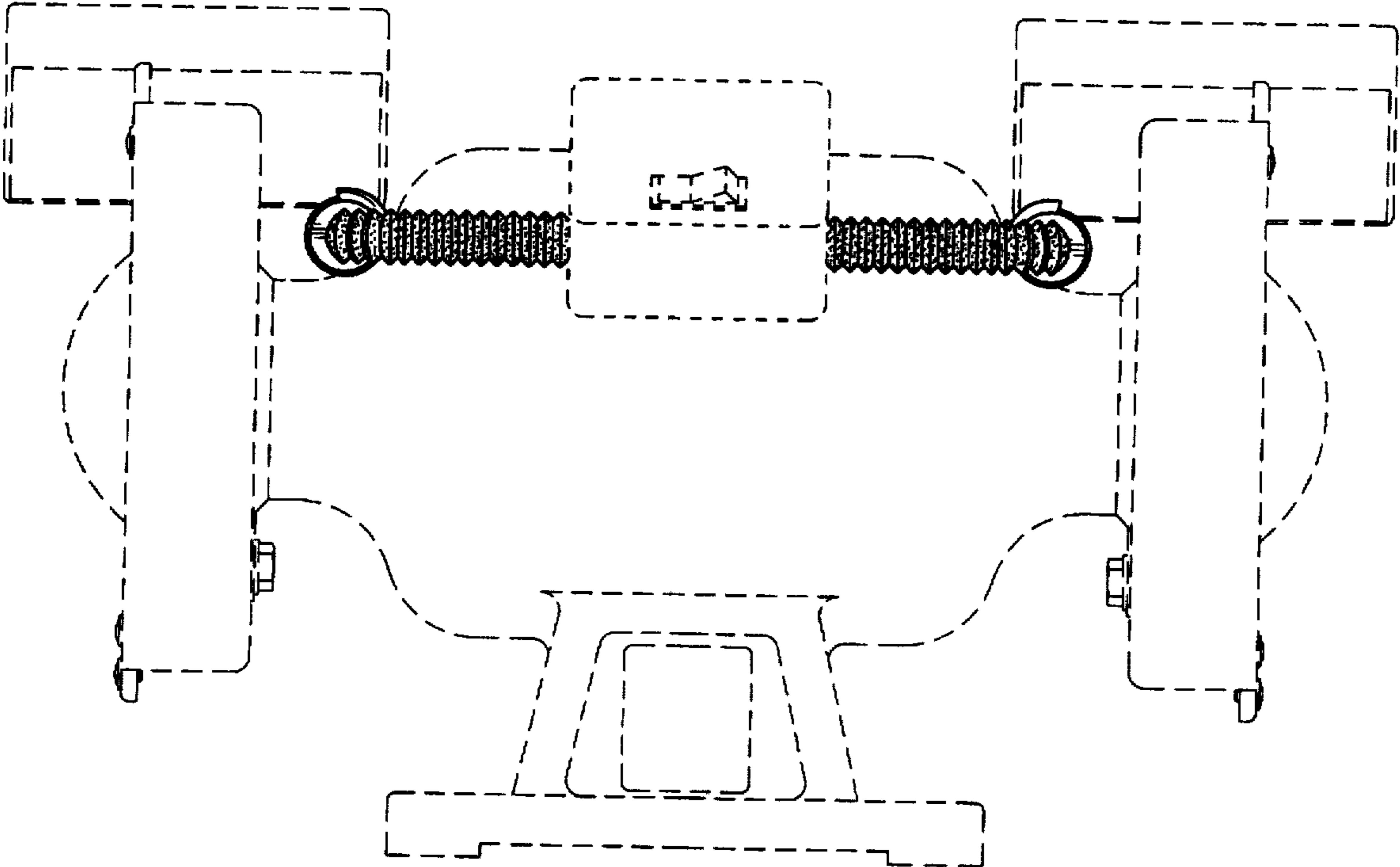


FIG. 23

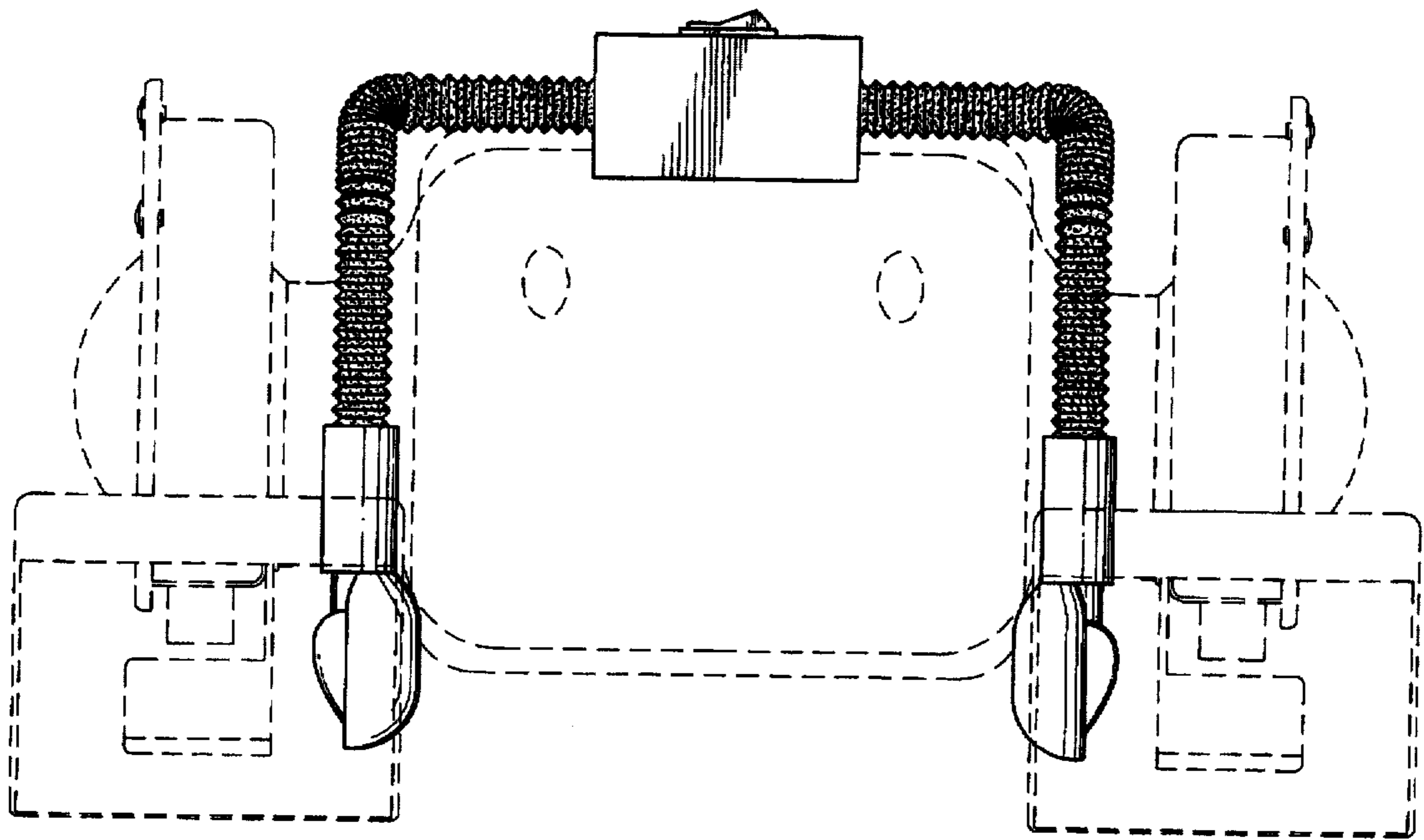


FIG. 24

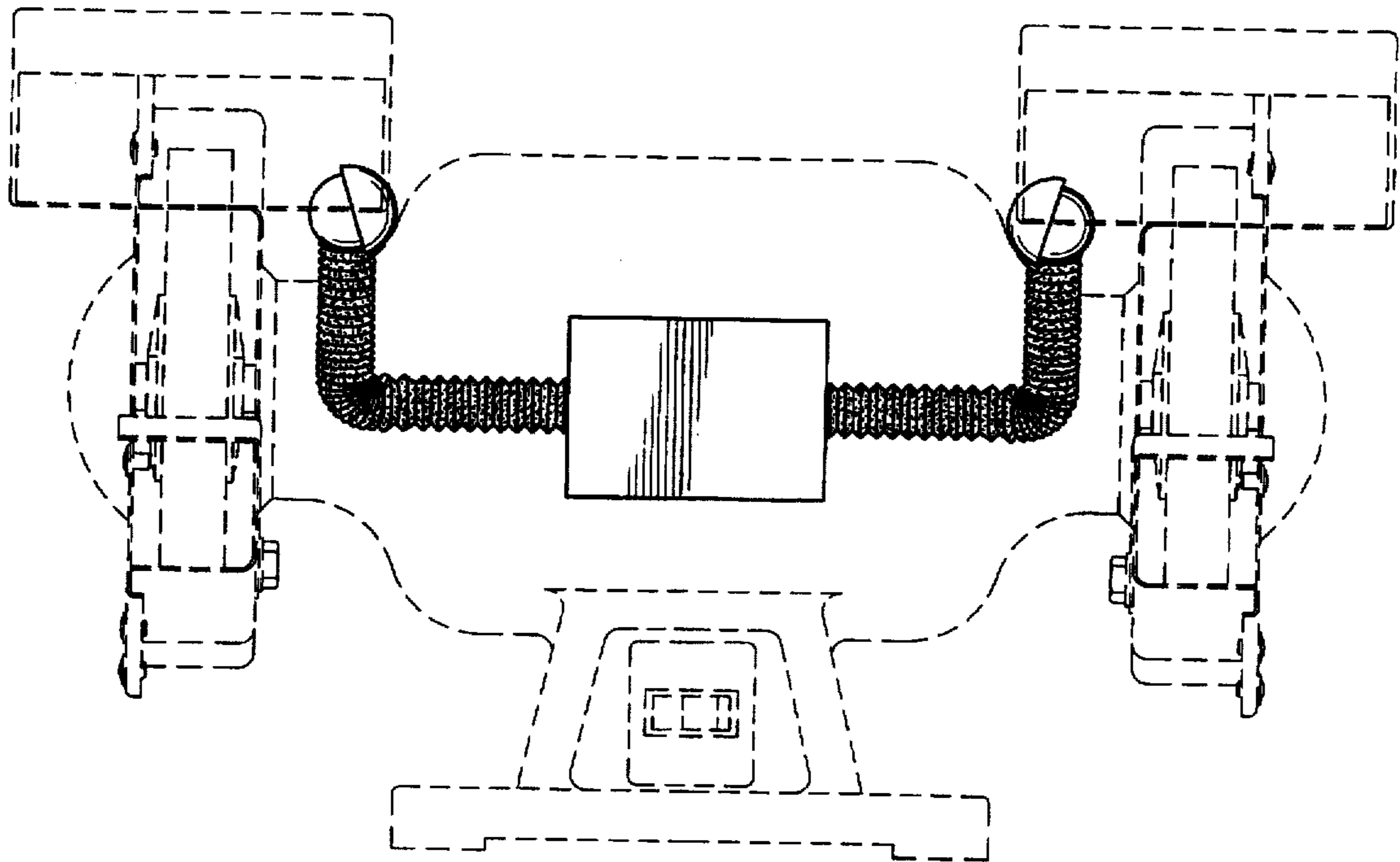


FIG. 25

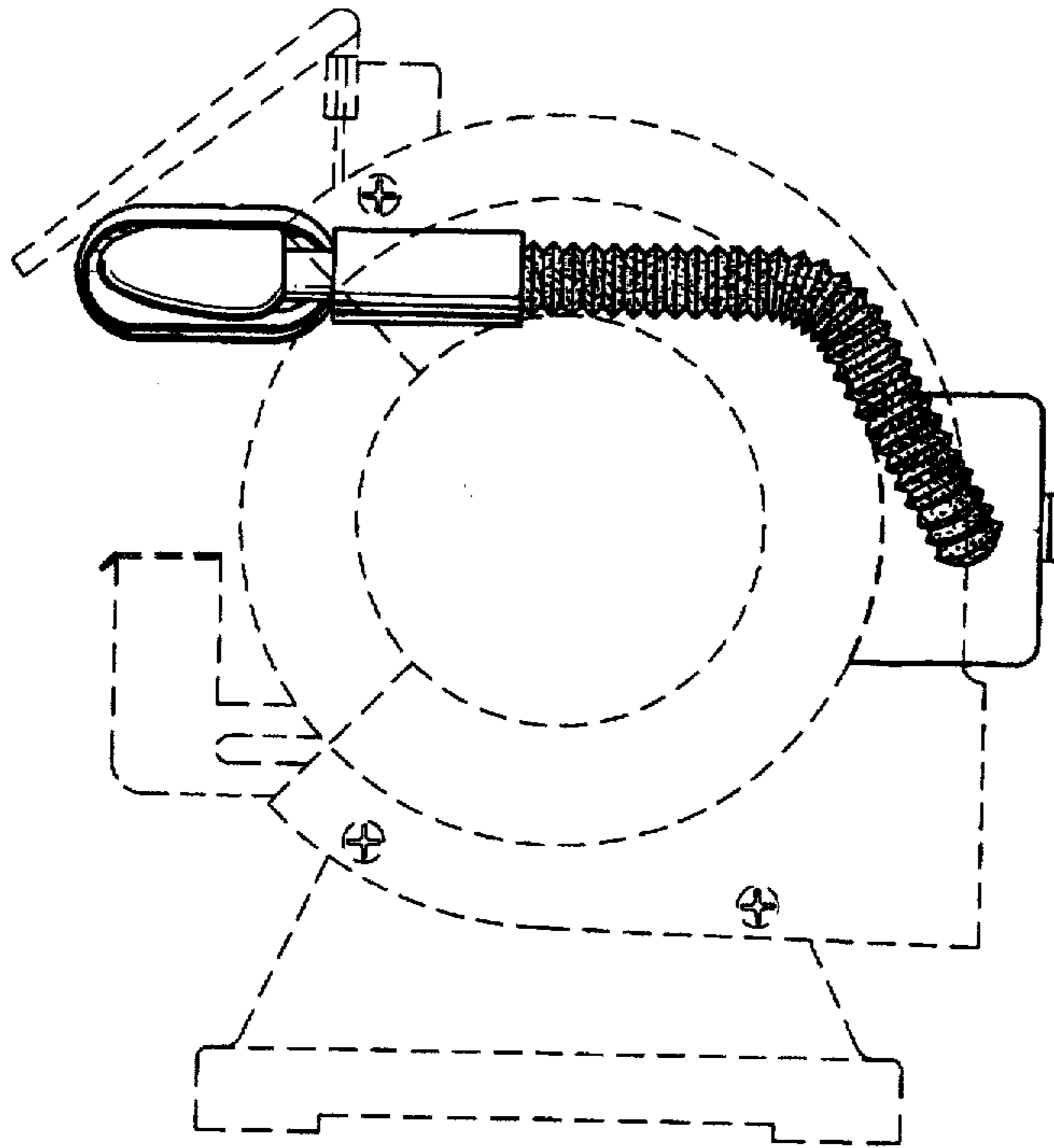


FIG. 26

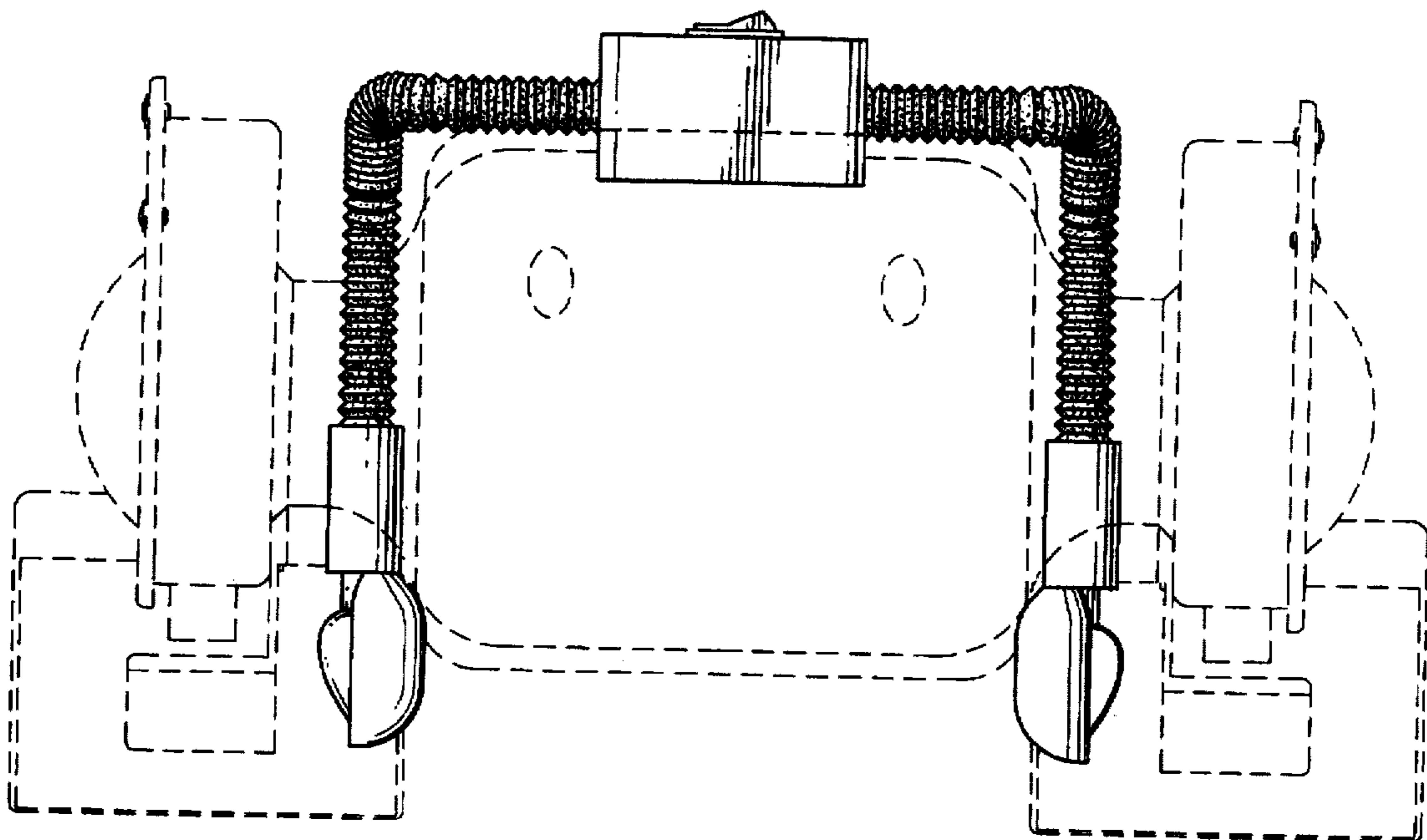


FIG. 27

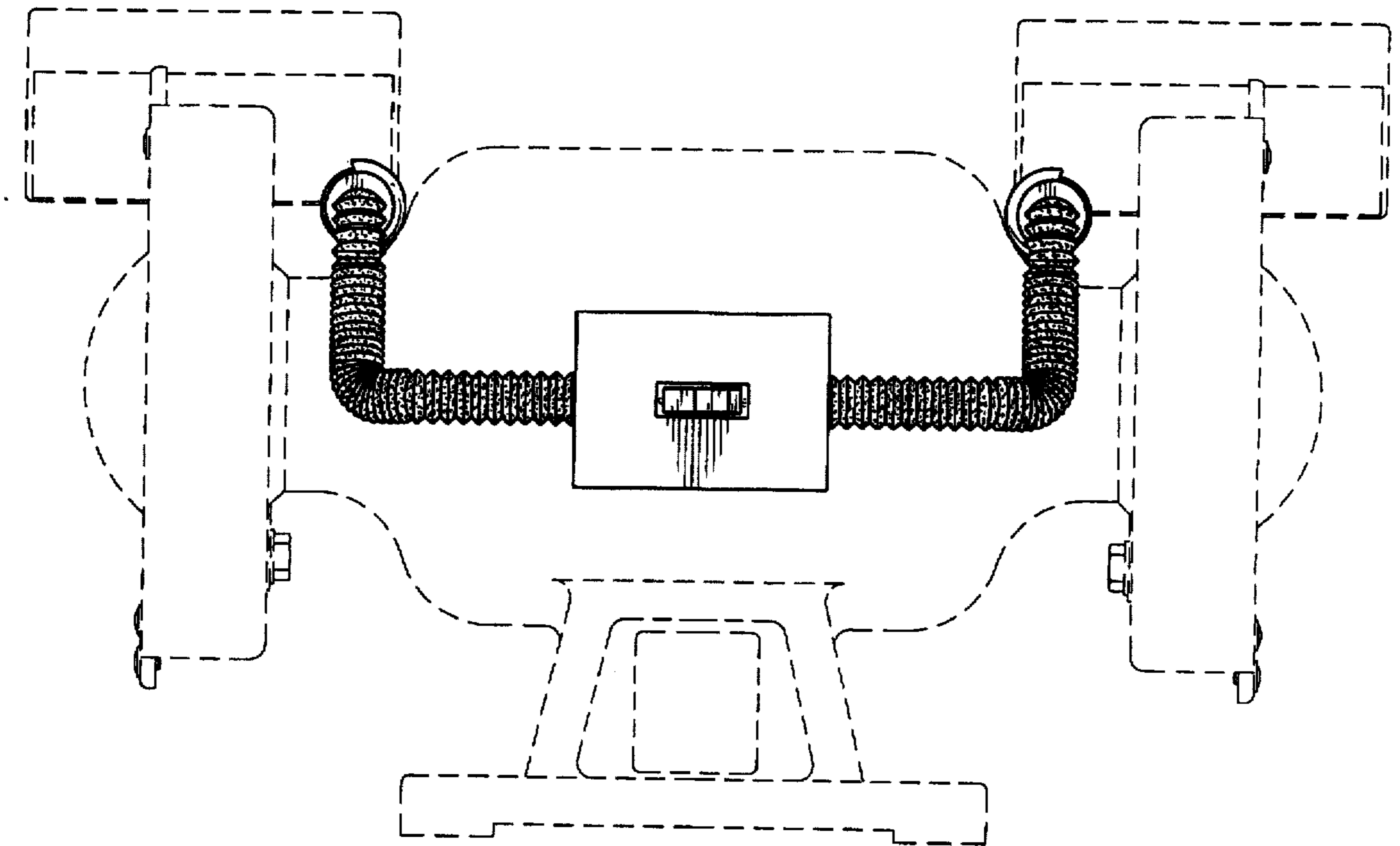


FIG. 28

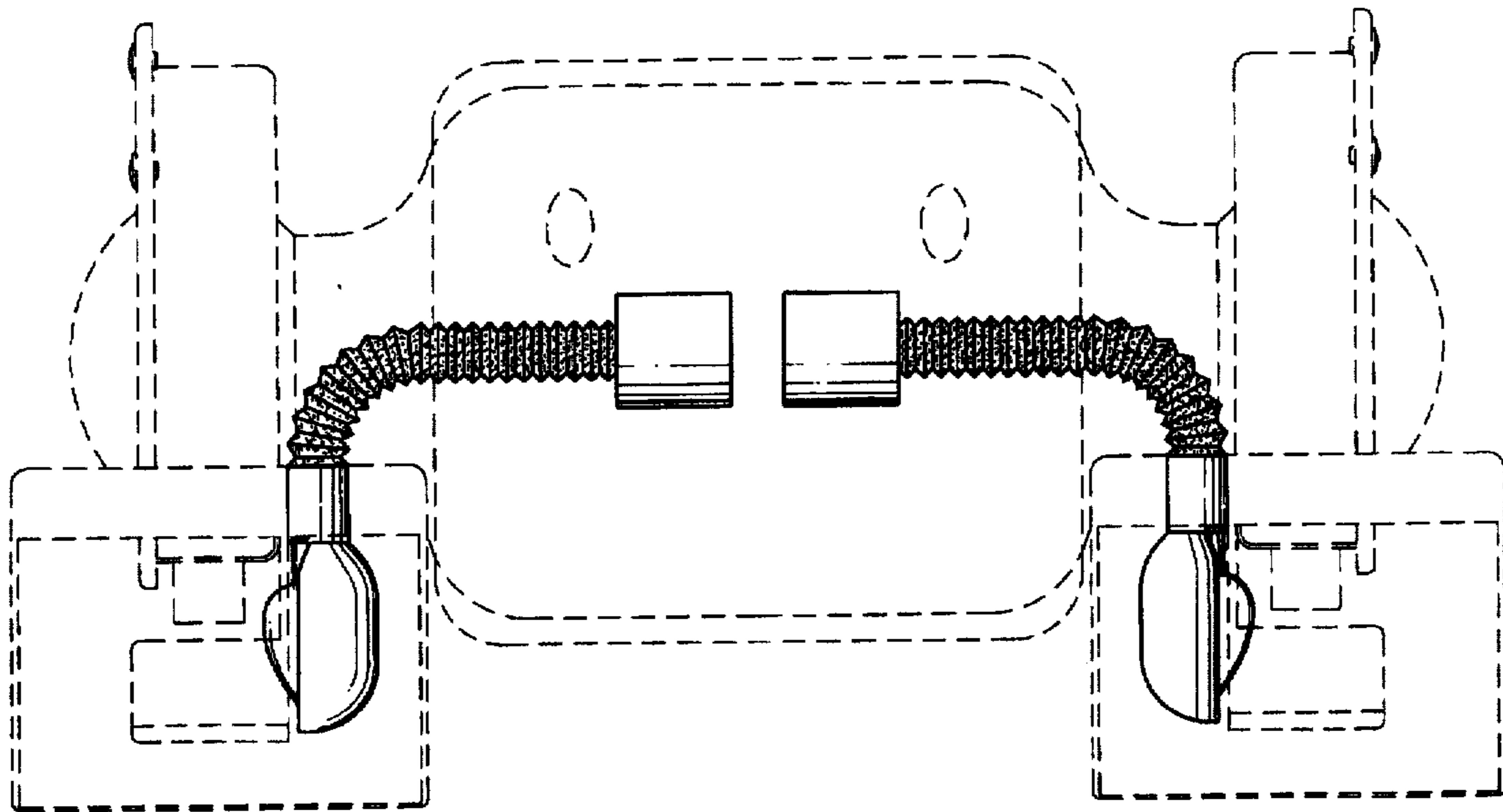


FIG. 29

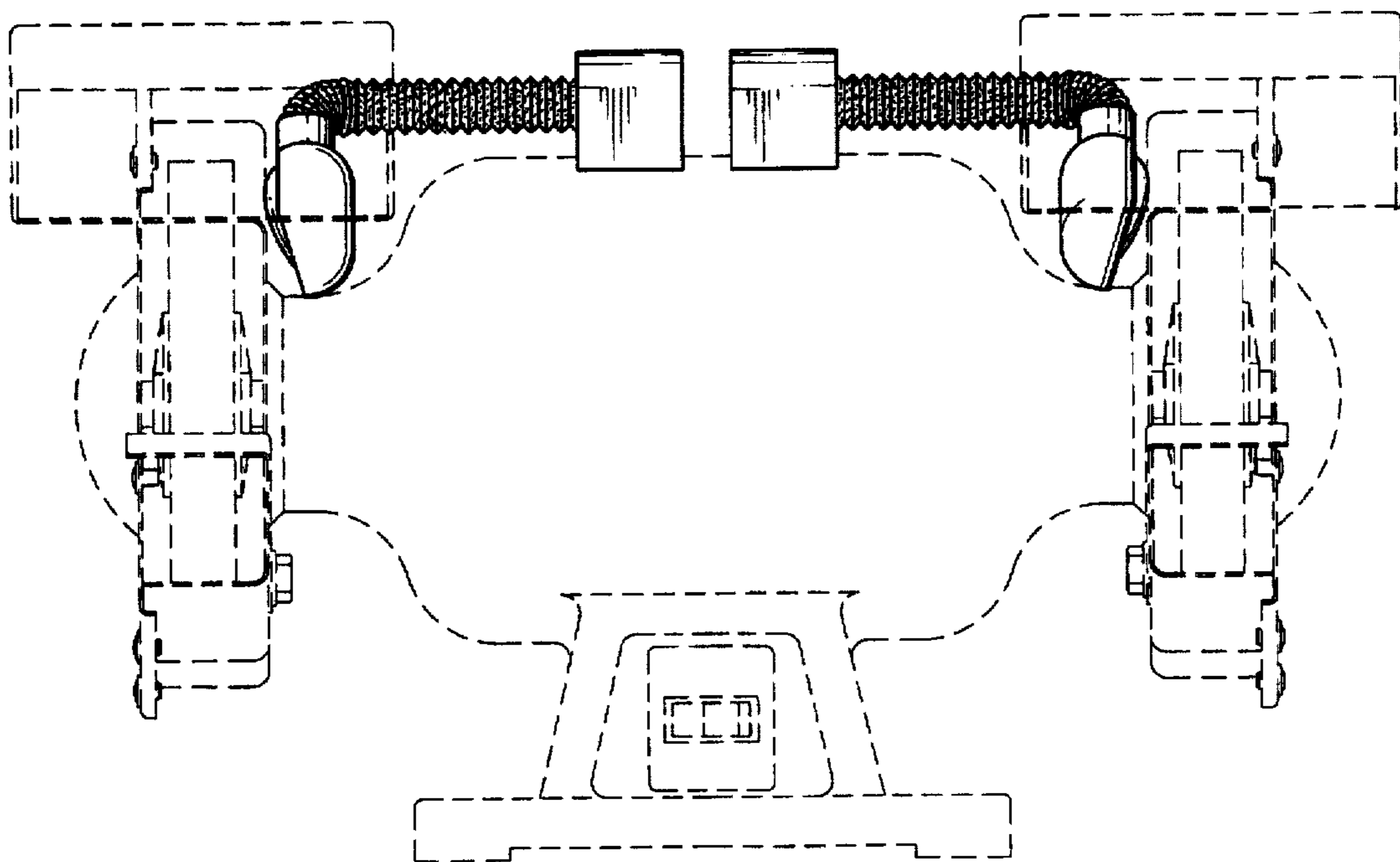


FIG. 30

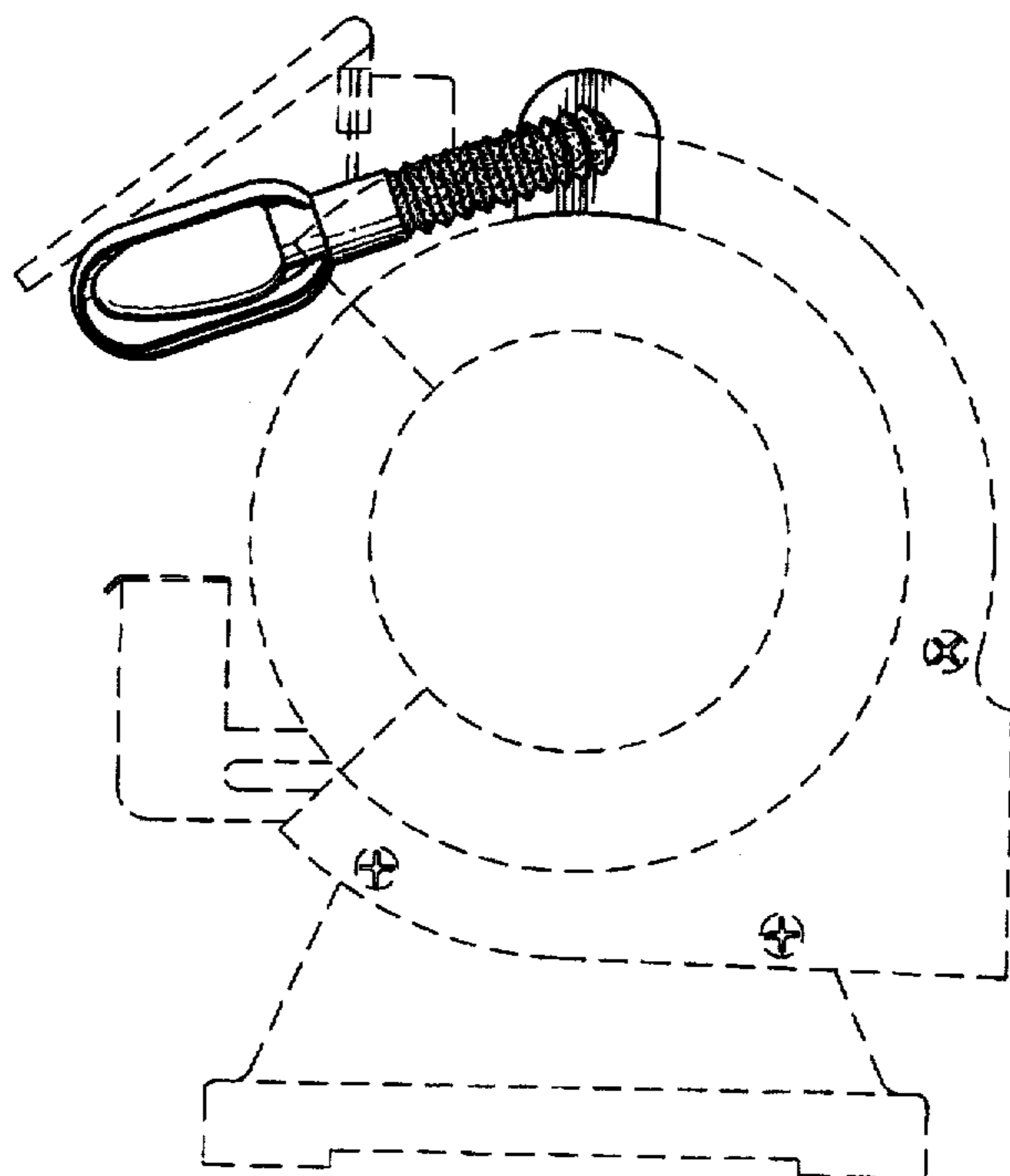


FIG. 31

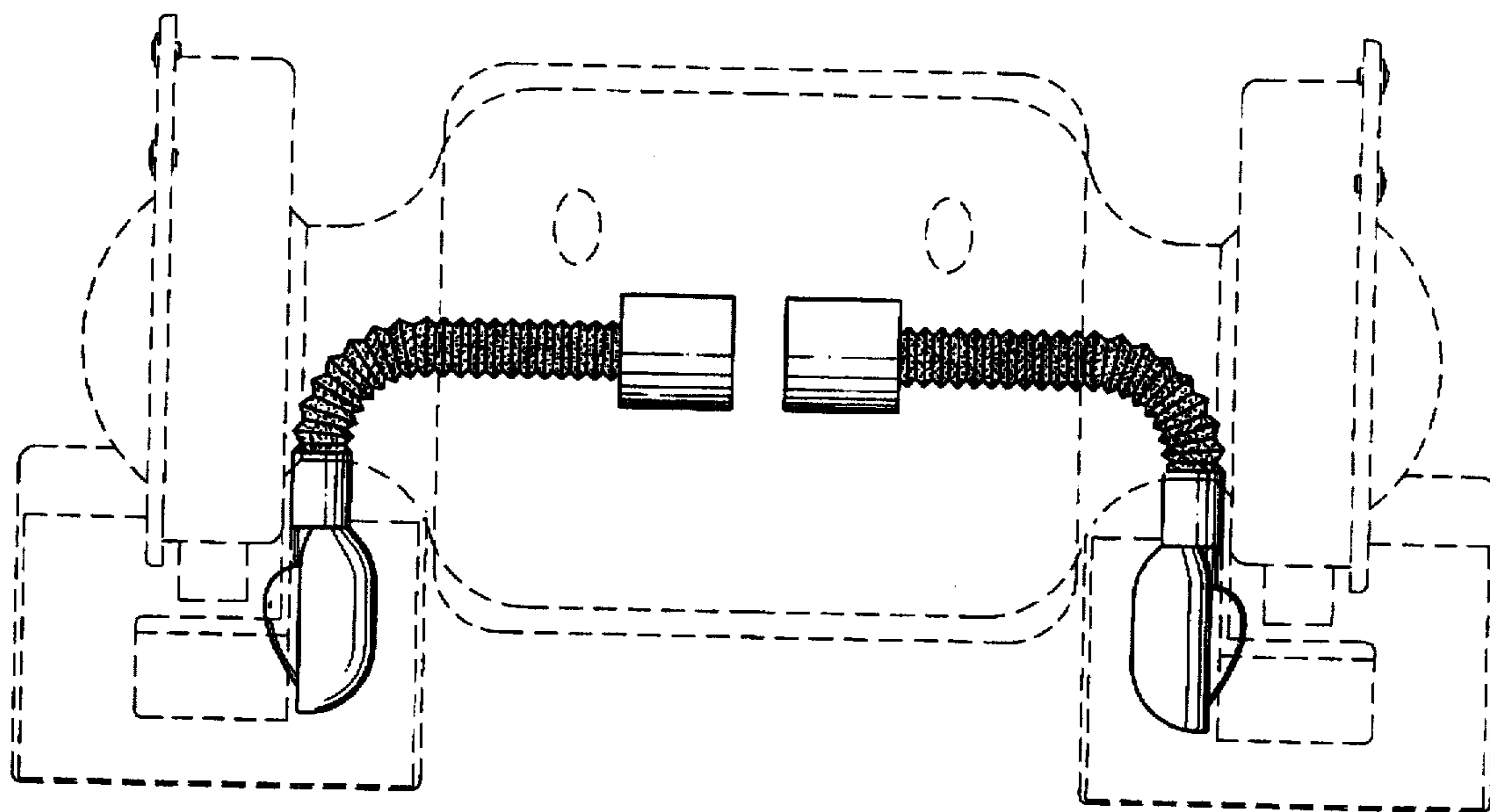


FIG. 32

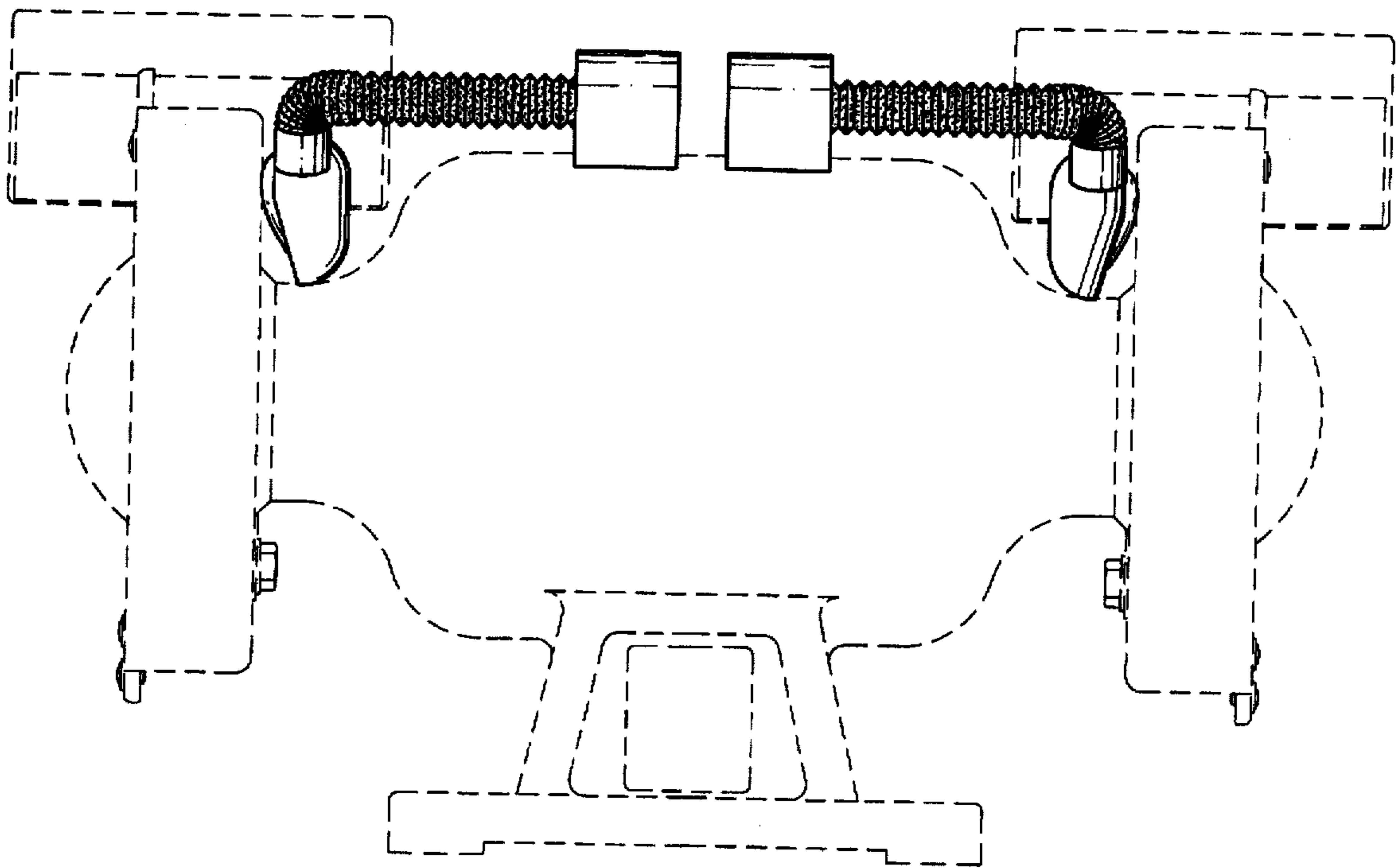


FIG. 33

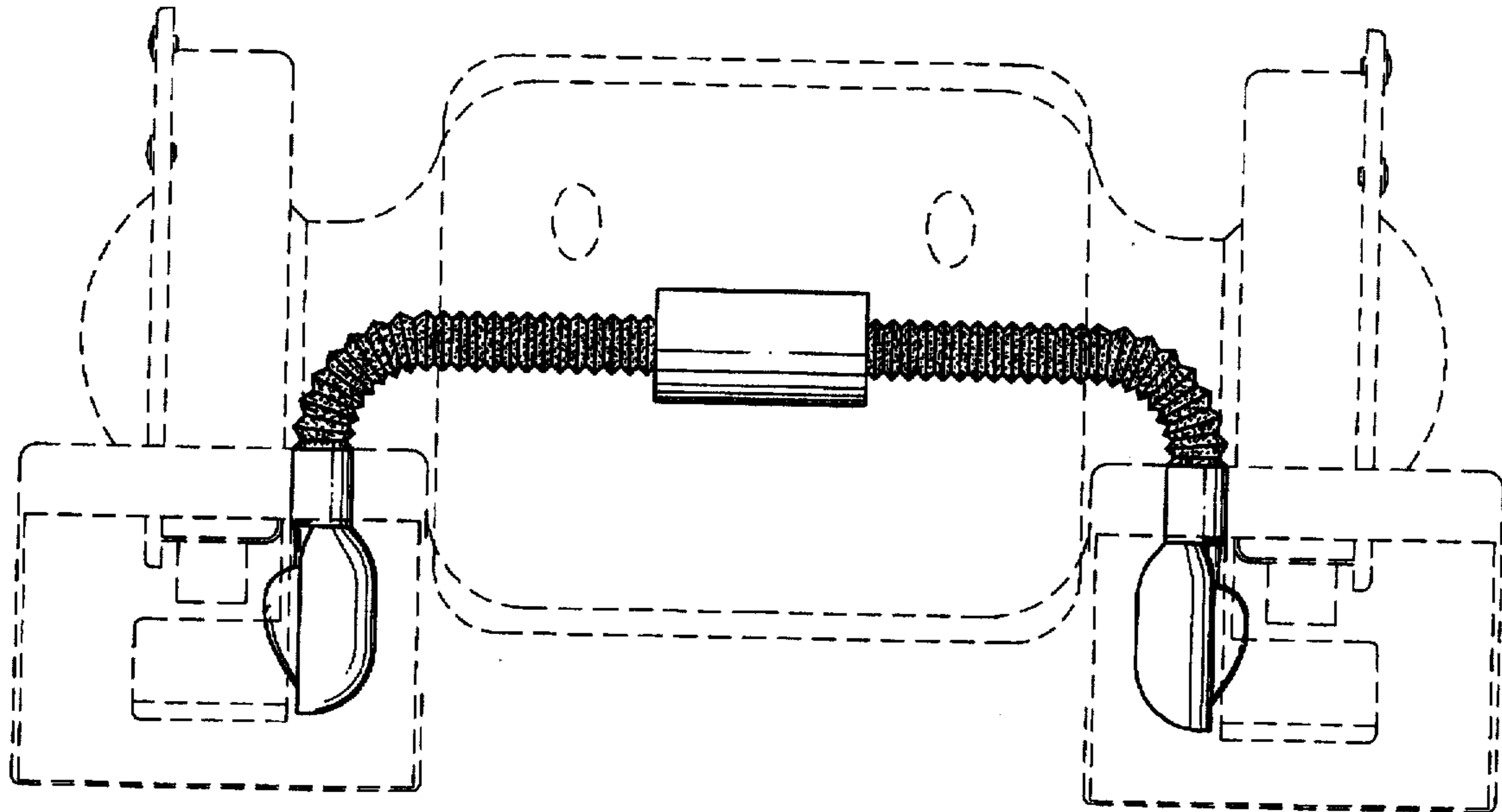


FIG. 34

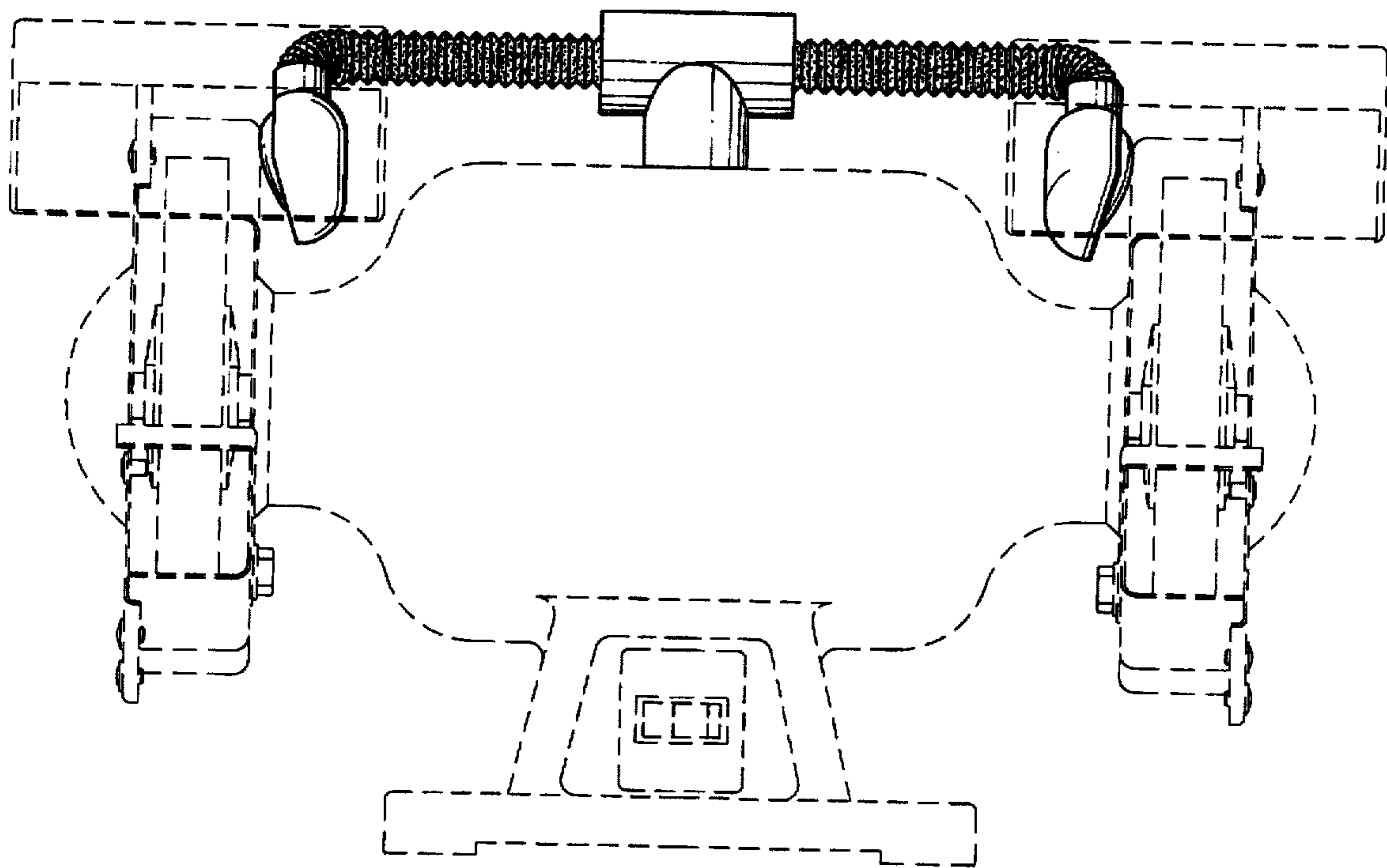


FIG. 35

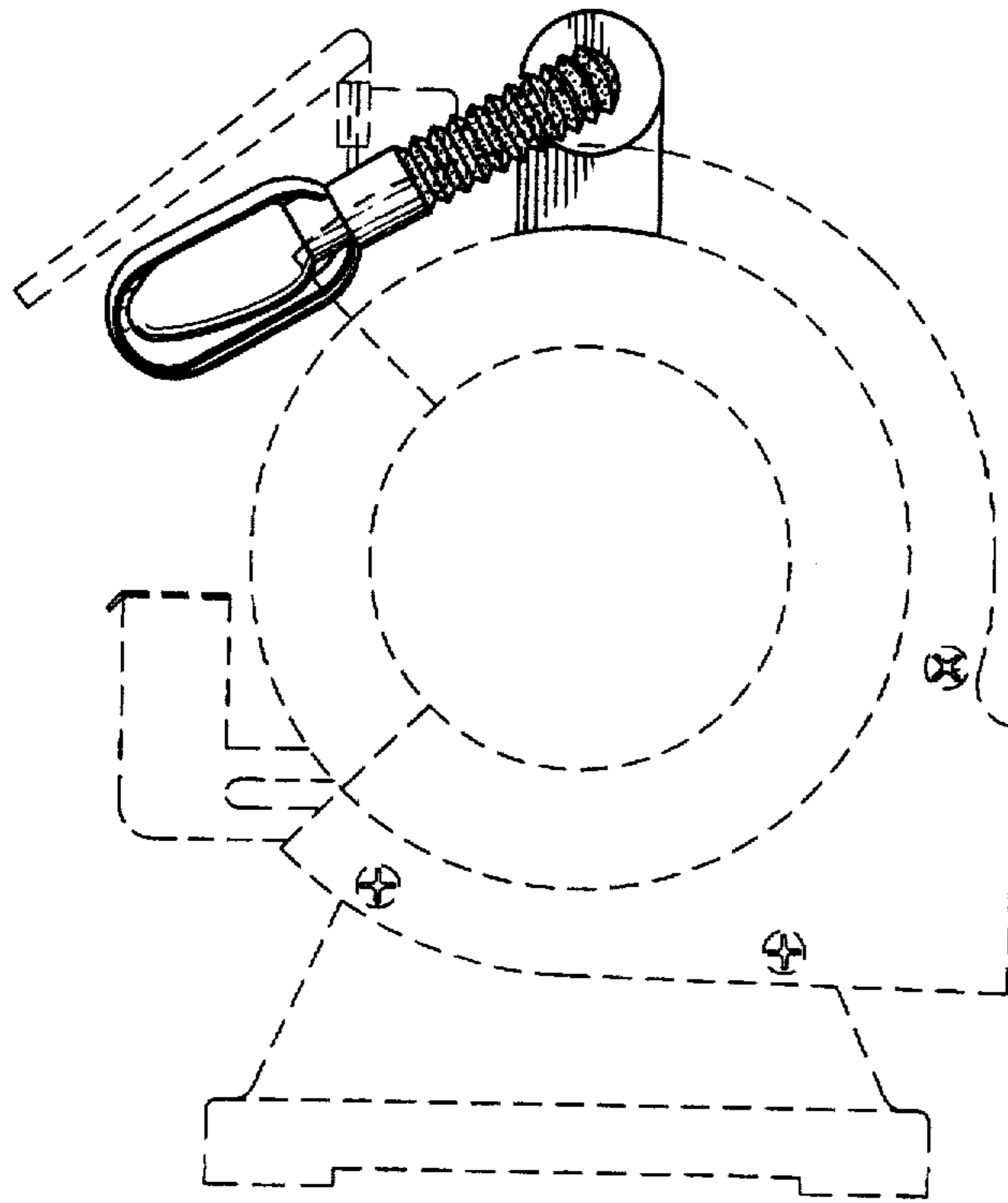


FIG. 36

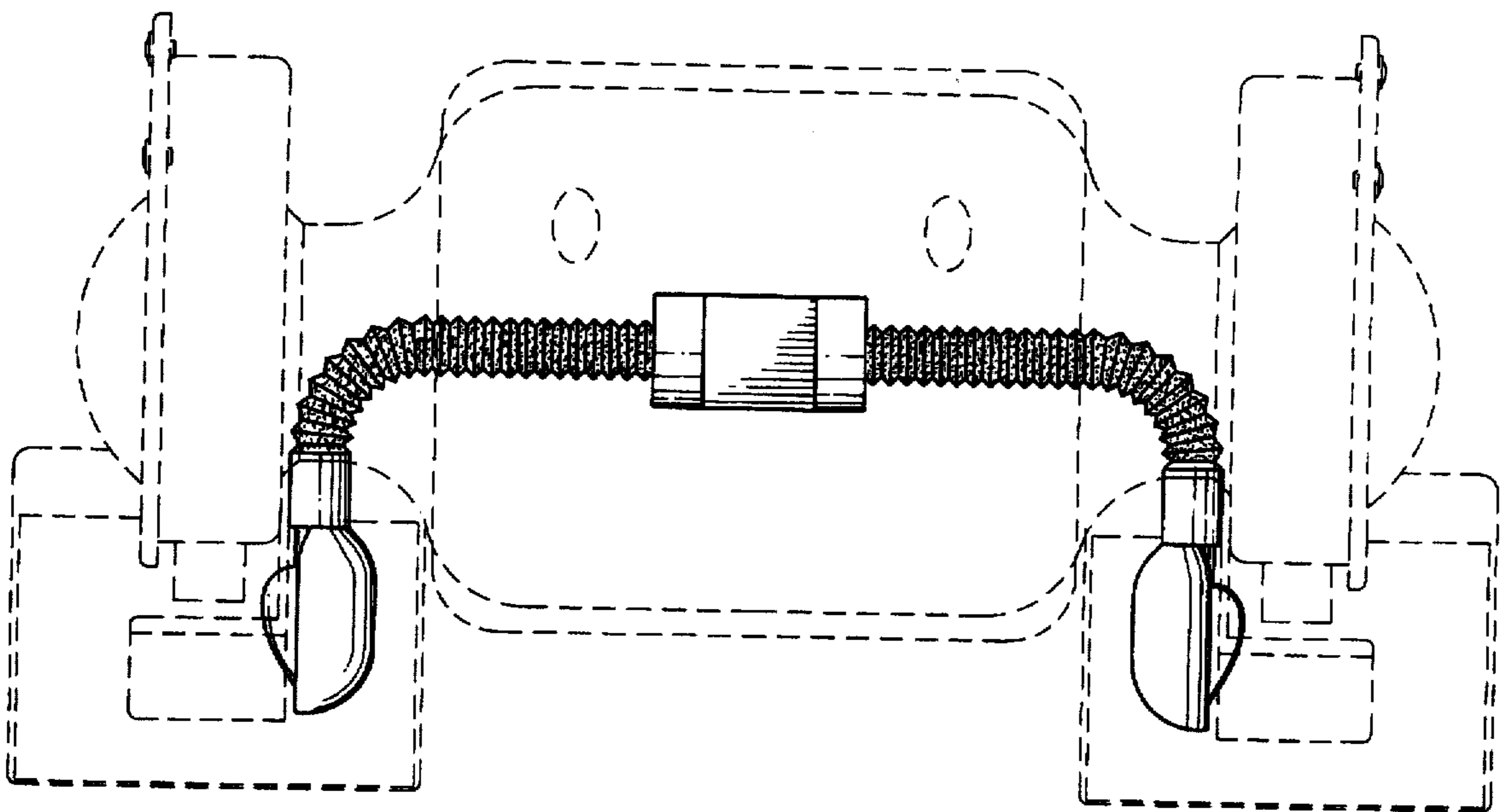


FIG. 37

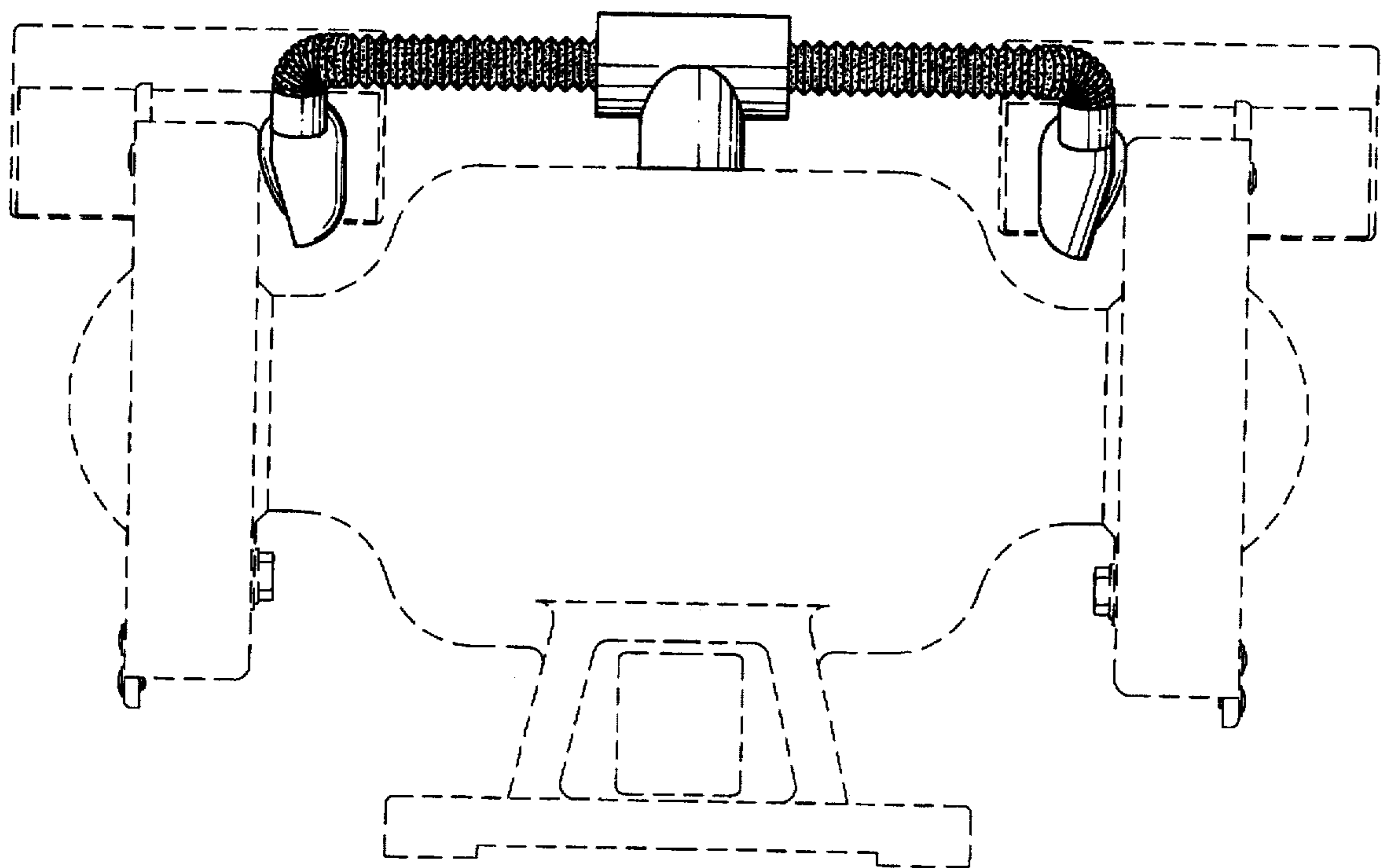


FIG. 38