



US00D387456S

United States Patent [19] Zurwelle

[11] Patent Number: Des. 387,456

[45] Date of Patent: **Dec. 9, 1997

[54] **CORDLESS FLASHLIGHT**

[75] Inventor: Donald W. Zurwelle, Lutherville, Md.

[73] Assignee: Black & Decker Inc., Newark, Del.

[**] Term: 14 Years

[21] Appl. No.: 42,564

[22] Filed: Aug. 11, 1995

[51] LOC (6) CL 26-02

[52] U.S. Cl. D26/46

[58] Field of Search D26/37, 38, 44,
D26/46, 49; 362/157, 158, 183, 196-199,
202-205, 207, 208

[56] **References Cited**

U.S. PATENT DOCUMENTS

D. 307,057	4/1990	Seok	D26/49
D. 311,593	10/1990	Fenne	D26/46
D. 330,942	11/1992	Leung	D26/37
D. 332,320	1/1993	Gammache	D26/44
D. 375,570	11/1996	Hayakawa et al.	D26/44
2,097,222	10/1937	Tompkins et al.	362/205 X
5,161,095	11/1992	Gammache	362/197

FOREIGN PATENT DOCUMENTS

0266160 9/1992 European Pat. Off. .

Primary Examiner—Alan P. Douglas

Assistant Examiner—Lavone D. Tabor

Attorney, Agent, or Firm—Dennis A. Dearing; John D. Del Pont; Bruce S. Shapiro

[57] **CLAIM**

The ornamental design for a cordless flashlight, as shown and described.

DESCRIPTION

FIG. 1 is a front perspective view of a first embodiment of a cordless flashlight showing my new design with the light in an inline configuration;

FIG. 2 is a front elevational view of the first embodiment;

FIG. 3 is a rear elevational view of the first embodiment;

FIG. 4 is a left side elevational view of the first embodiment. The right side elevational view is a mirror image of the left side;

FIG. 5 is a top plan view of the first embodiment;

FIG. 6 is a bottom plan view of the first embodiment;

FIG. 7 is a front perspective view of a second embodiment of a cordless flashlight showing my new design with the light in an inline configuration;

FIG. 8 is a front elevational view of the second embodiment;

FIG. 9 is a rear elevational view of the second embodiment;

FIG. 10 is a left side elevational view of the second embodiment. The right side elevational view is a mirror image of the left side;

FIG. 11 is a top plan view of the second embodiment;

FIG. 12 is a bottom plan view of the second embodiment;

FIG. 13 is a front perspective view of a third embodiment of a cordless flashlight showing my new design with the light in an inline configuration;

FIG. 14 is a front elevational view of the third embodiment;

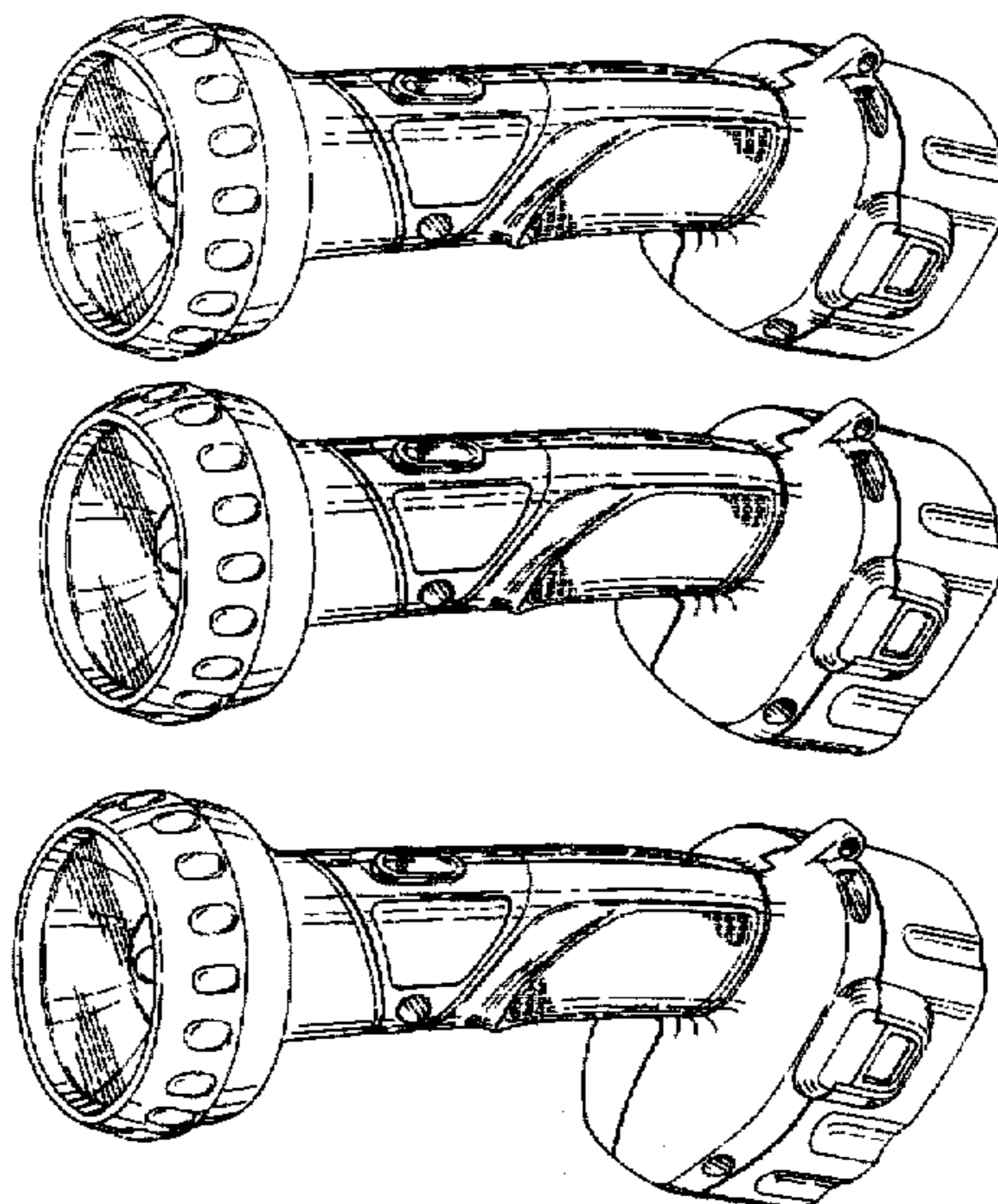
FIG. 15 is a rear elevational view of the third embodiment;

FIG. 16 is a left side elevational view of the third embodiment. The right side elevational view is a mirror image of the left side;

FIG. 17 is a top plan view of the third embodiment; and,

FIG. 18 is a bottom plan view of the third embodiment.

1 Claim, 9 Drawing Sheets



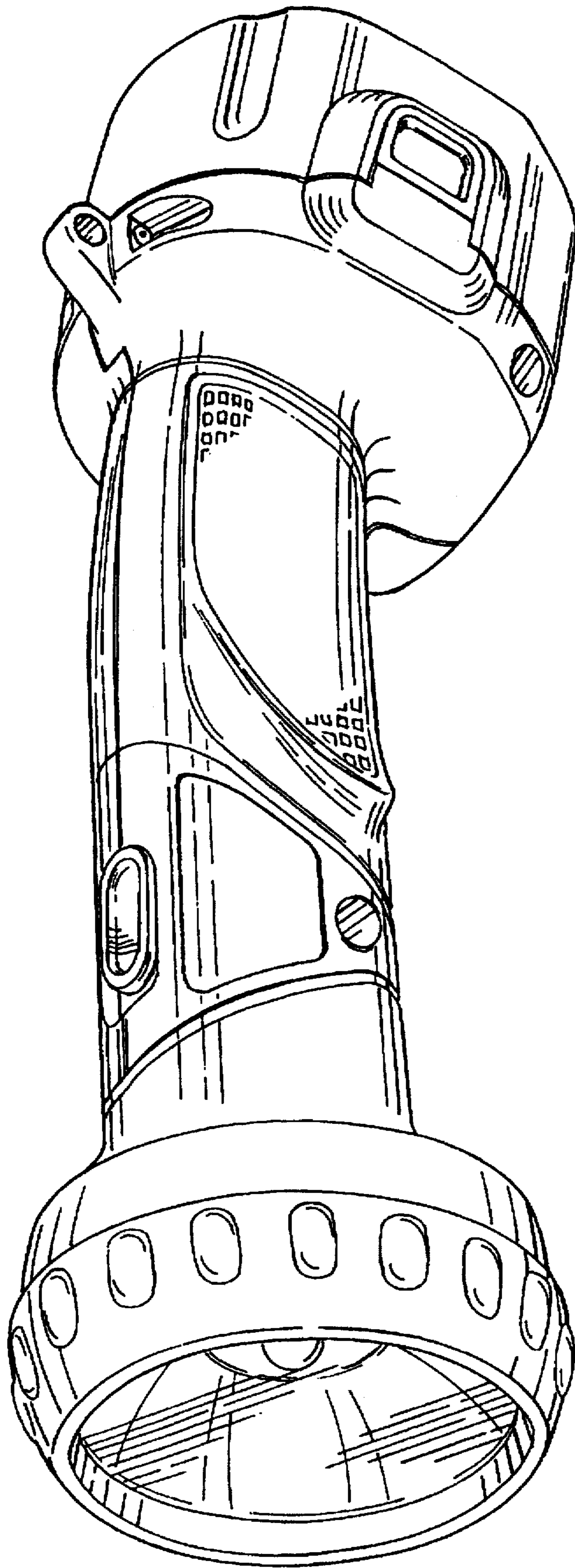


FIG. 1

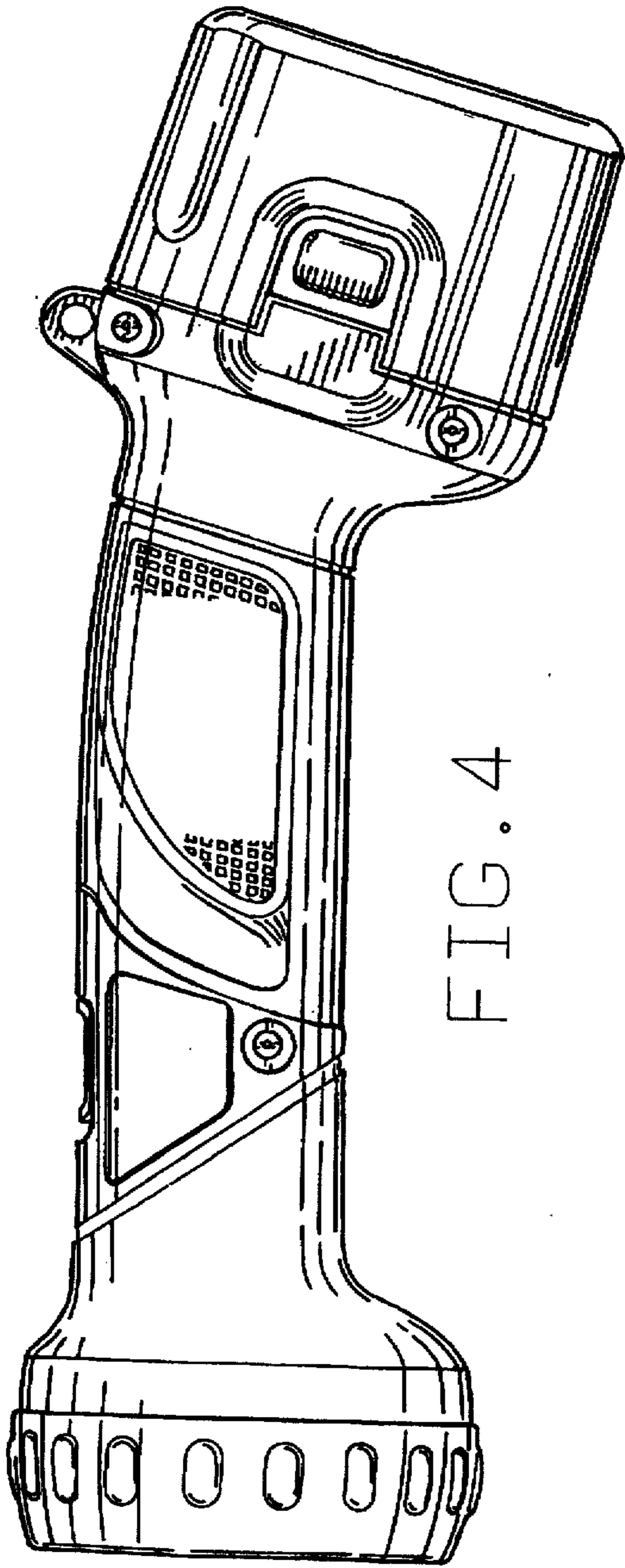


FIG. 4

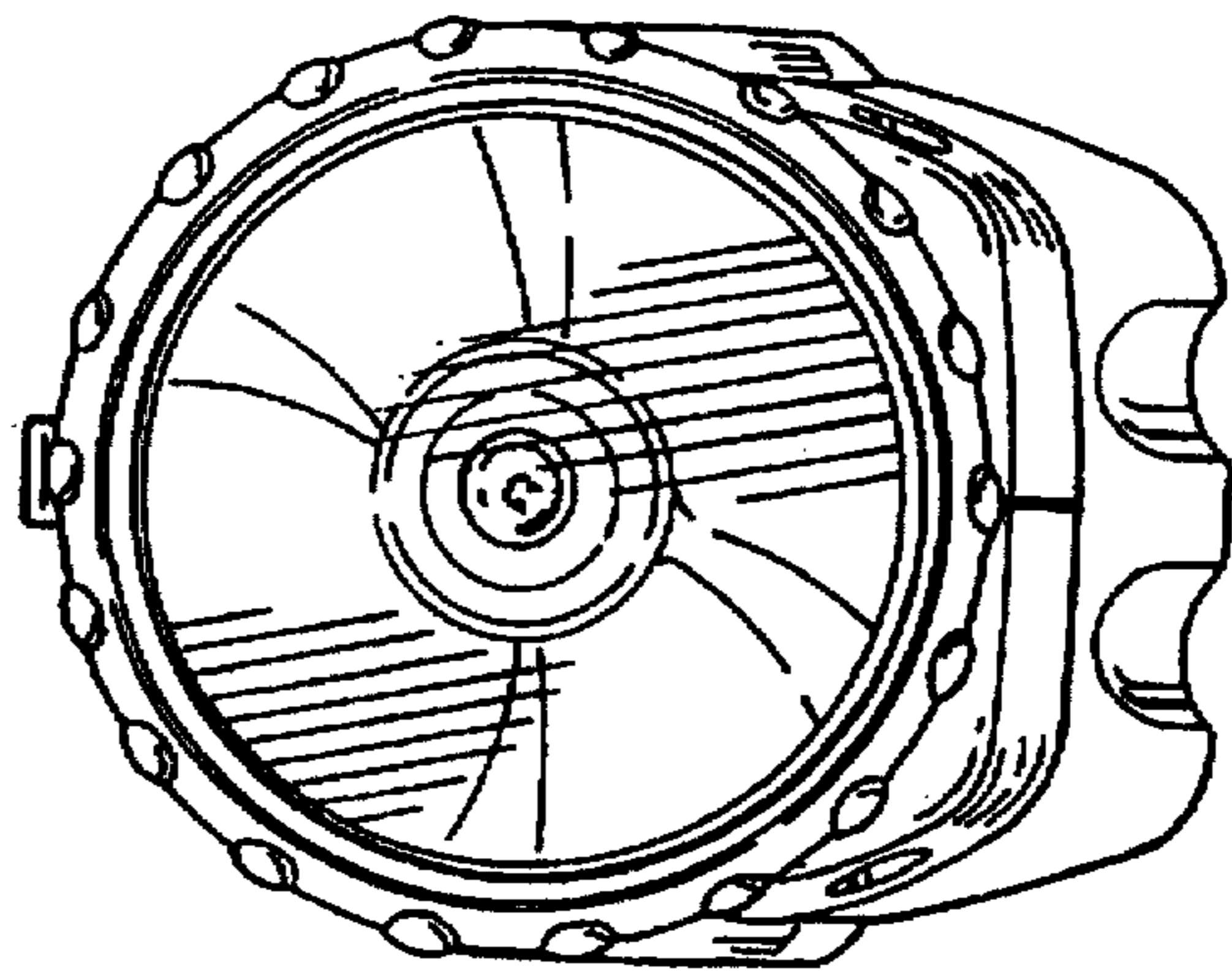


FIG. 2

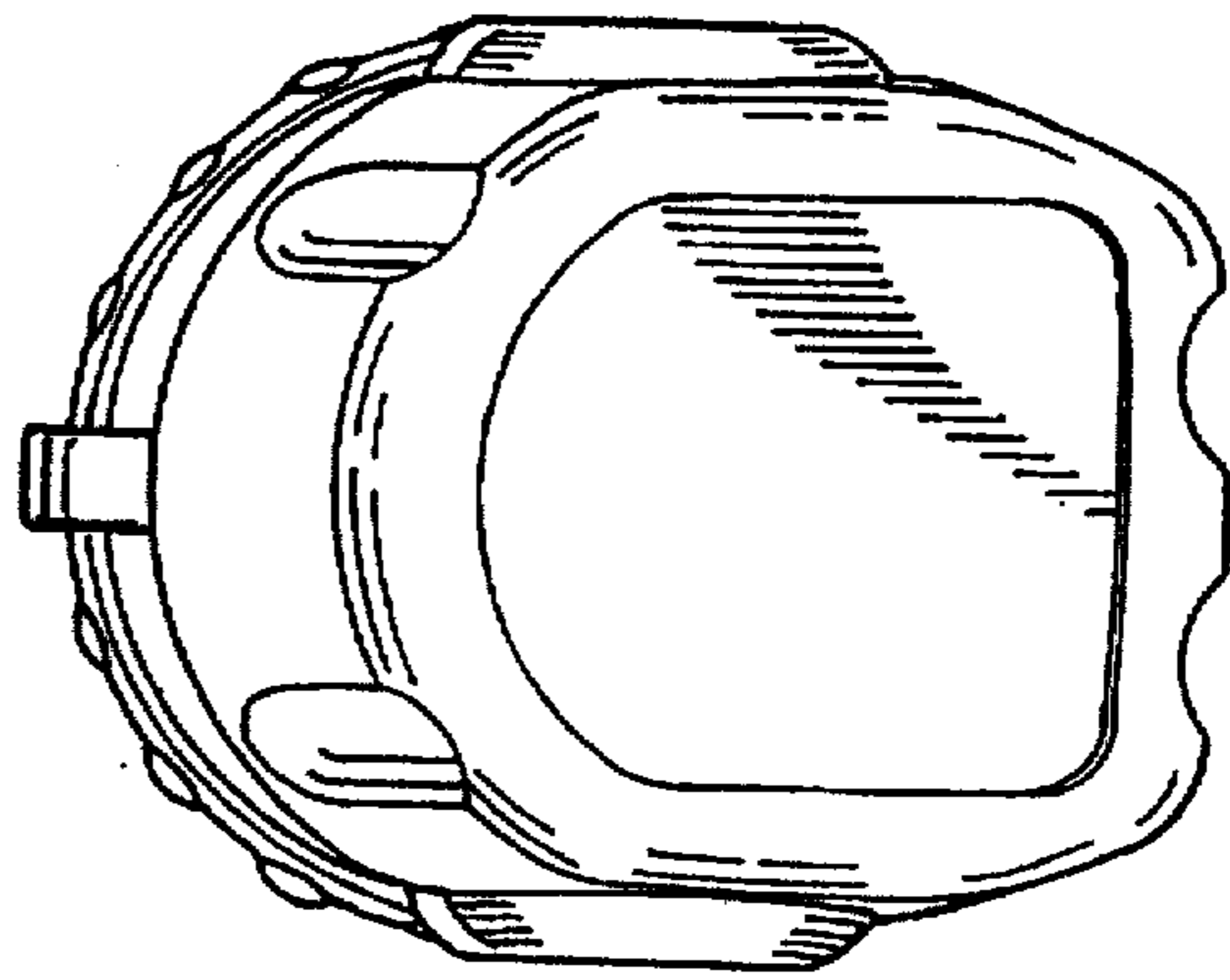


FIG. 3

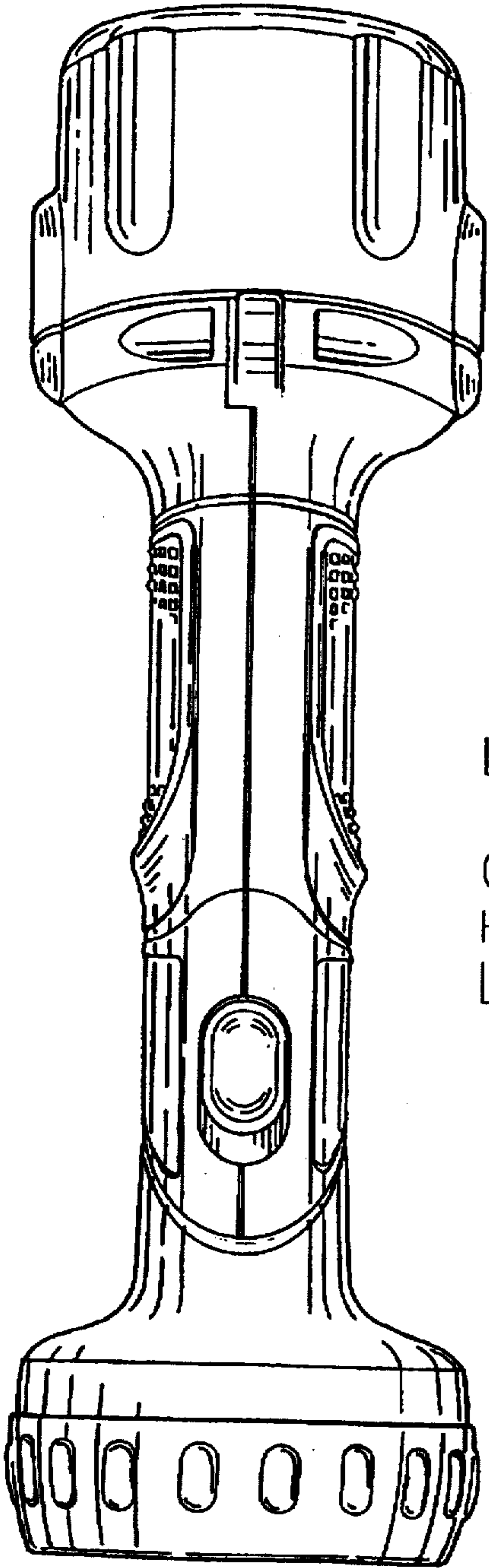


FIG. 5

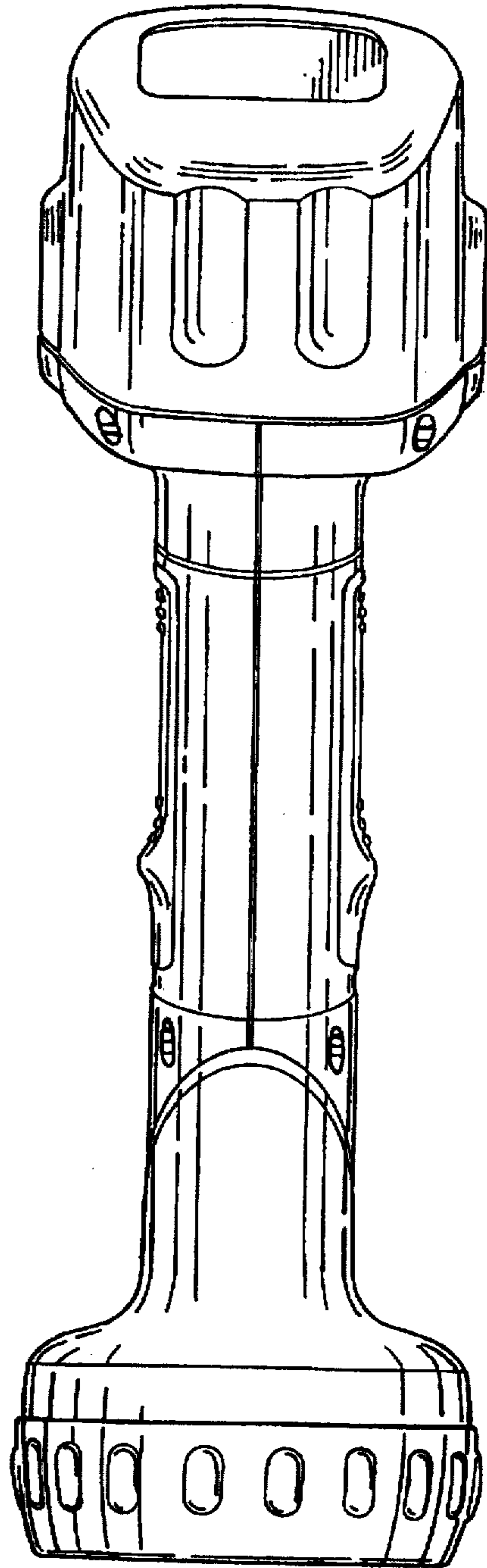


FIG. 6

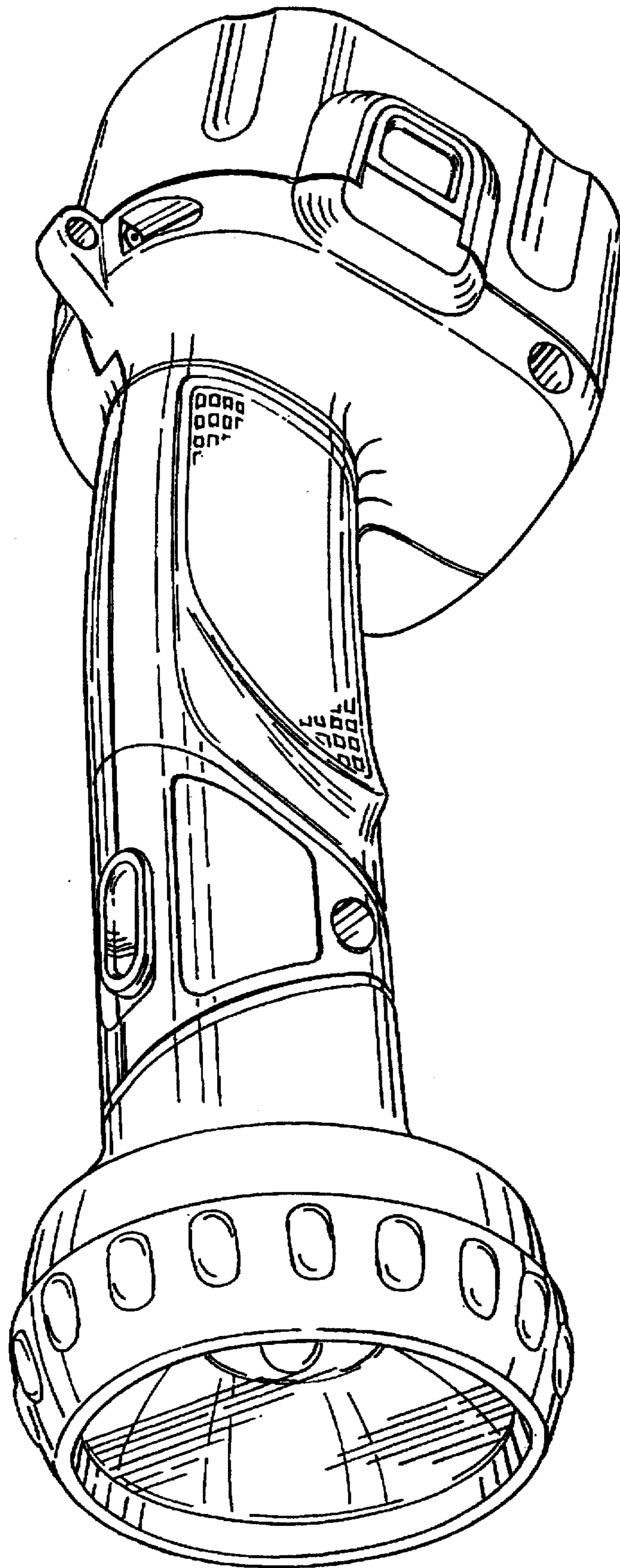


FIG. 7

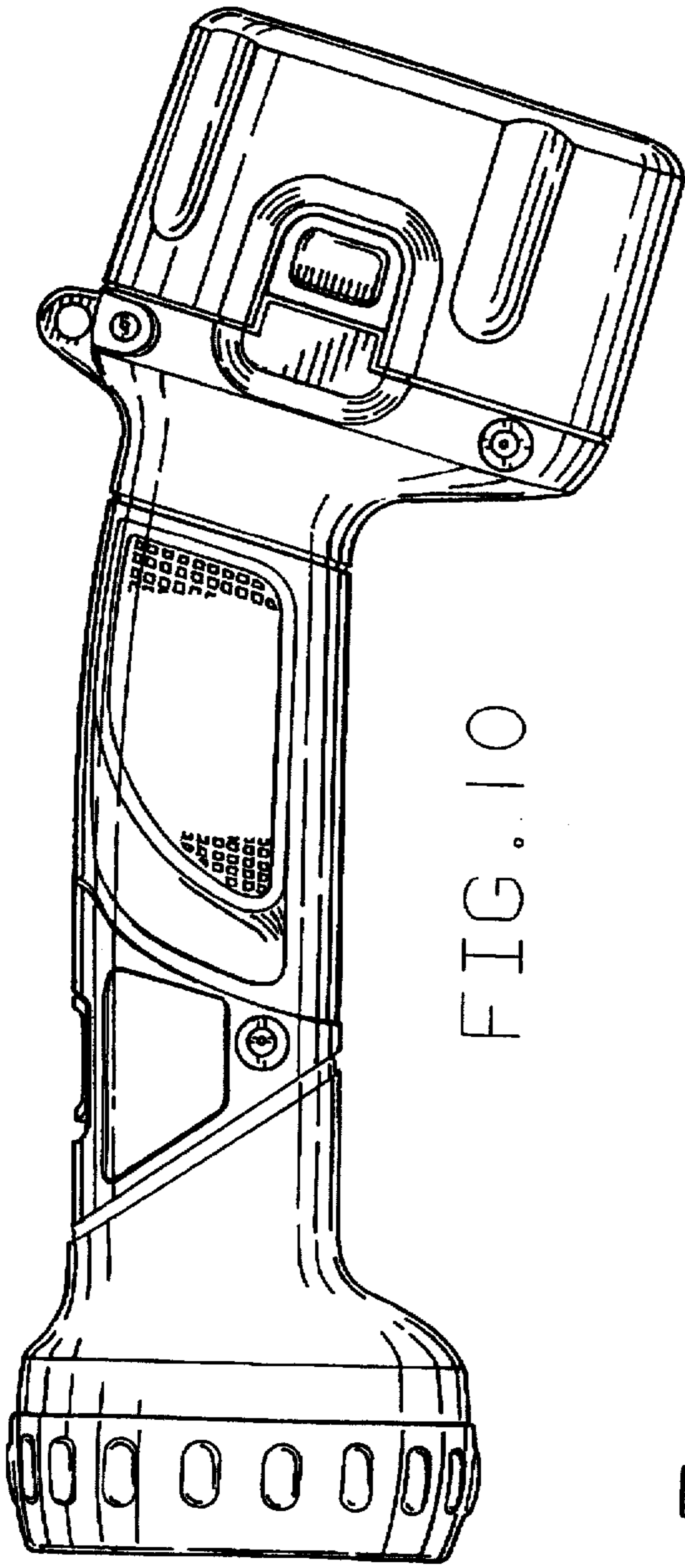


FIG. 10

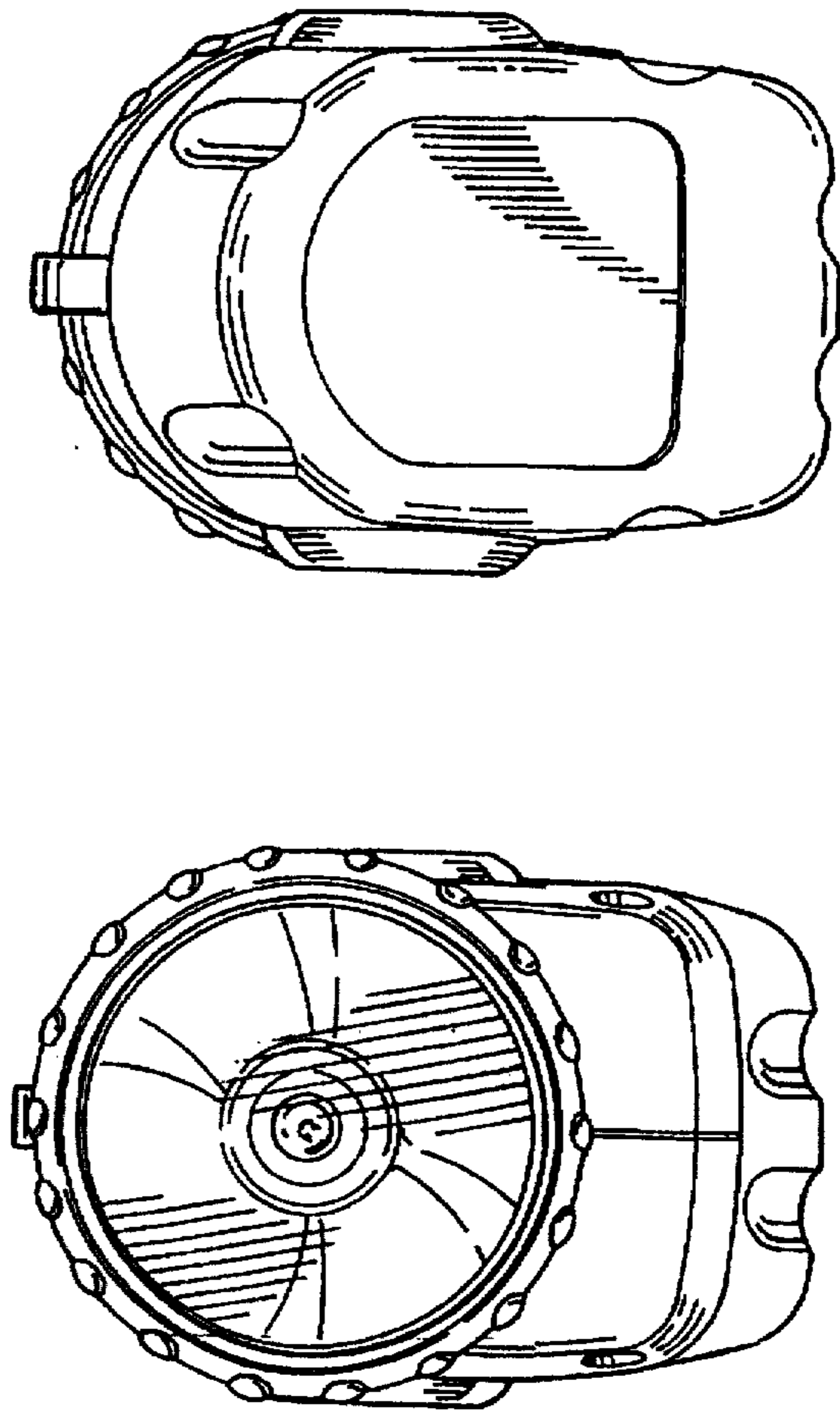


FIG. 8

FIG. 9

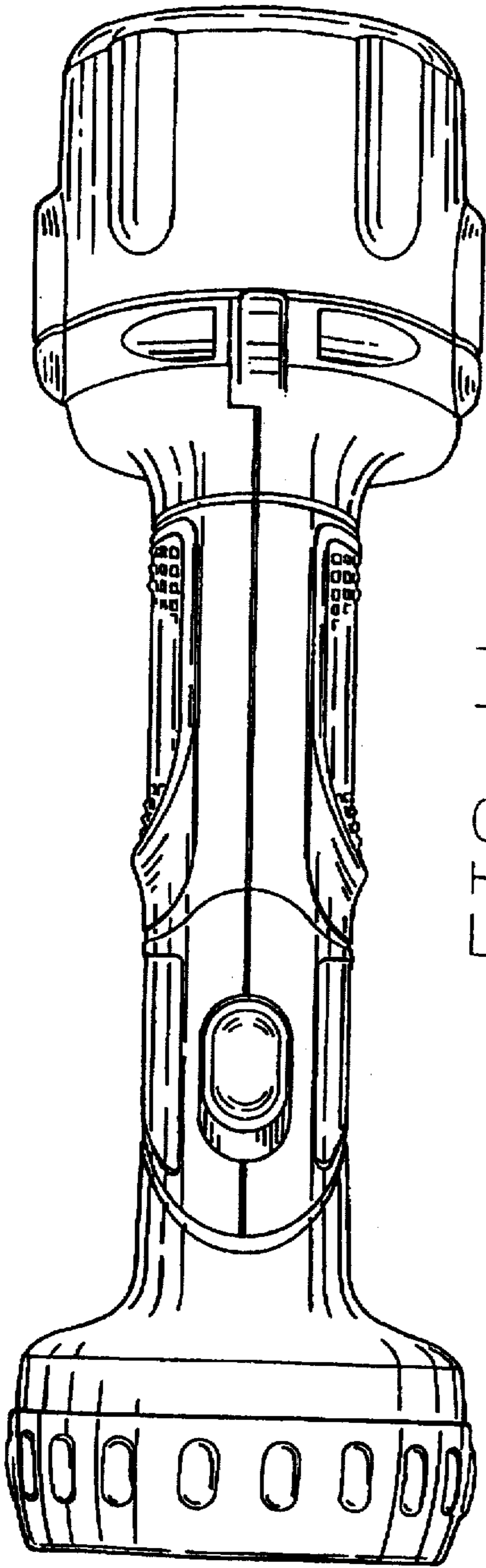


FIG. 11

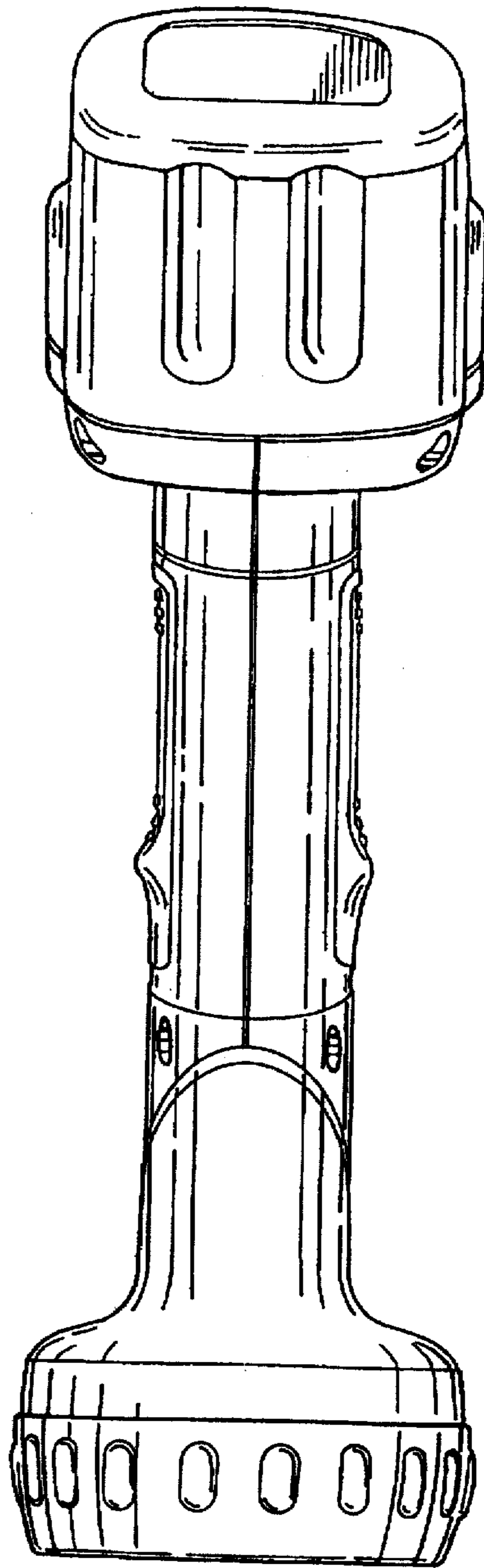


FIG. 12

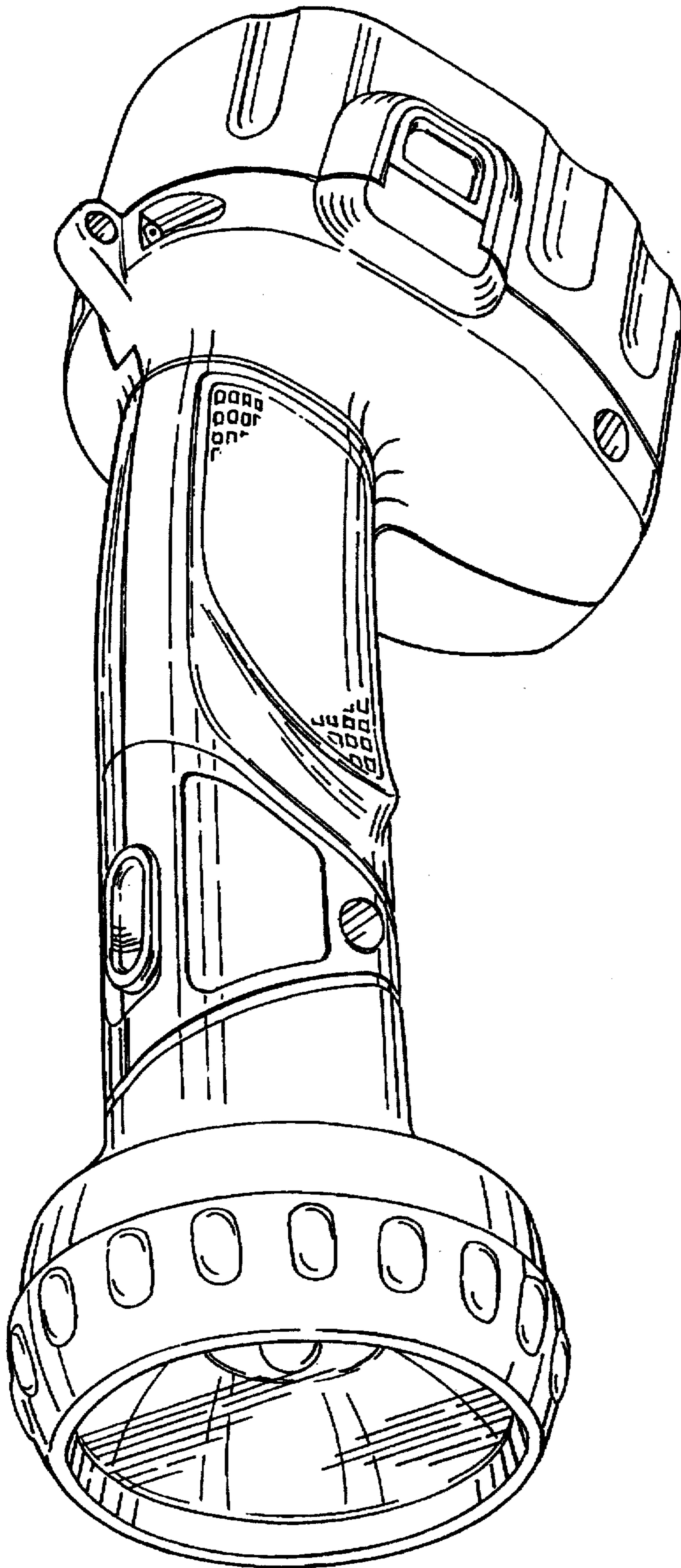


FIG. 13

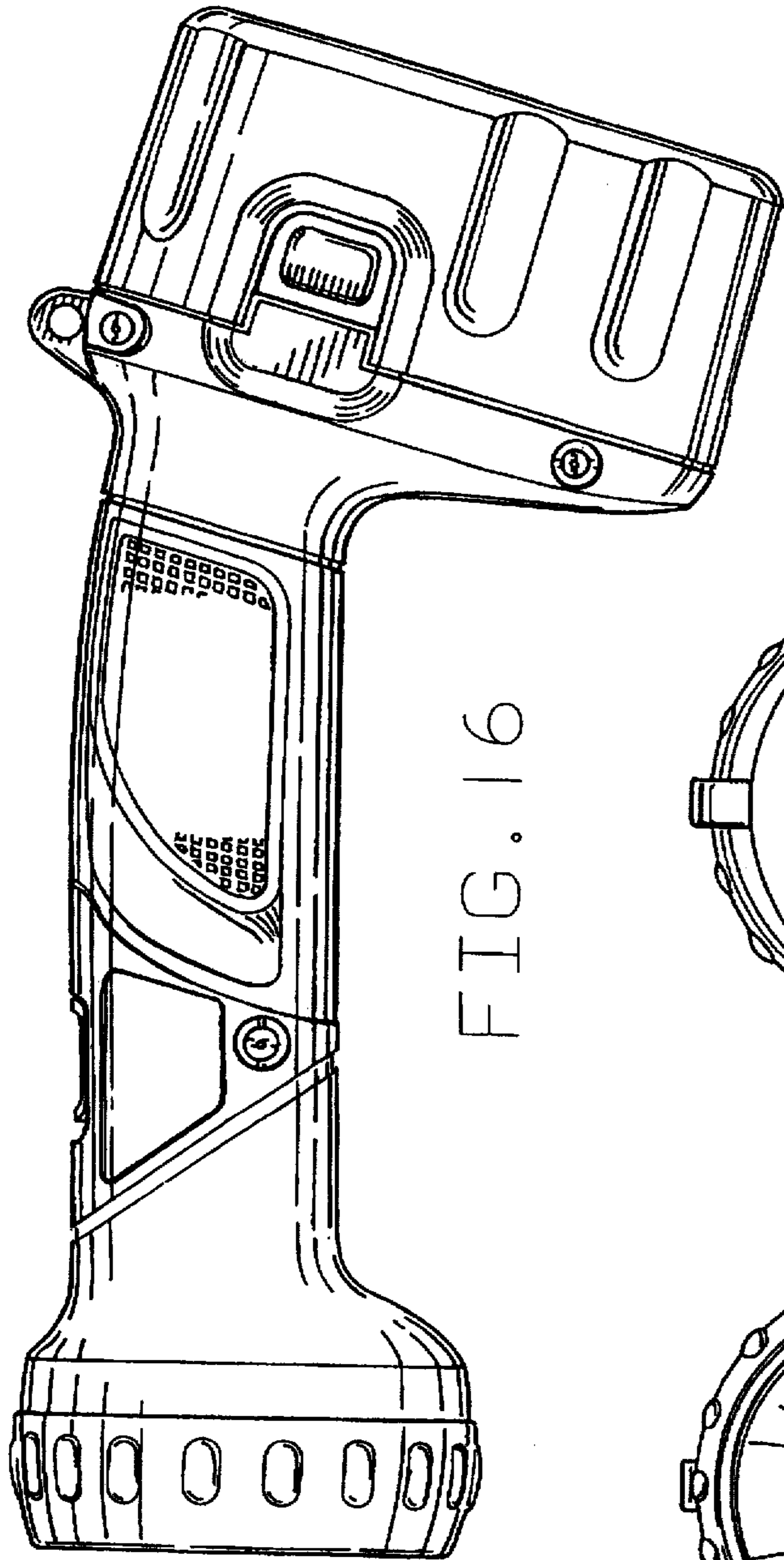


FIG. 16

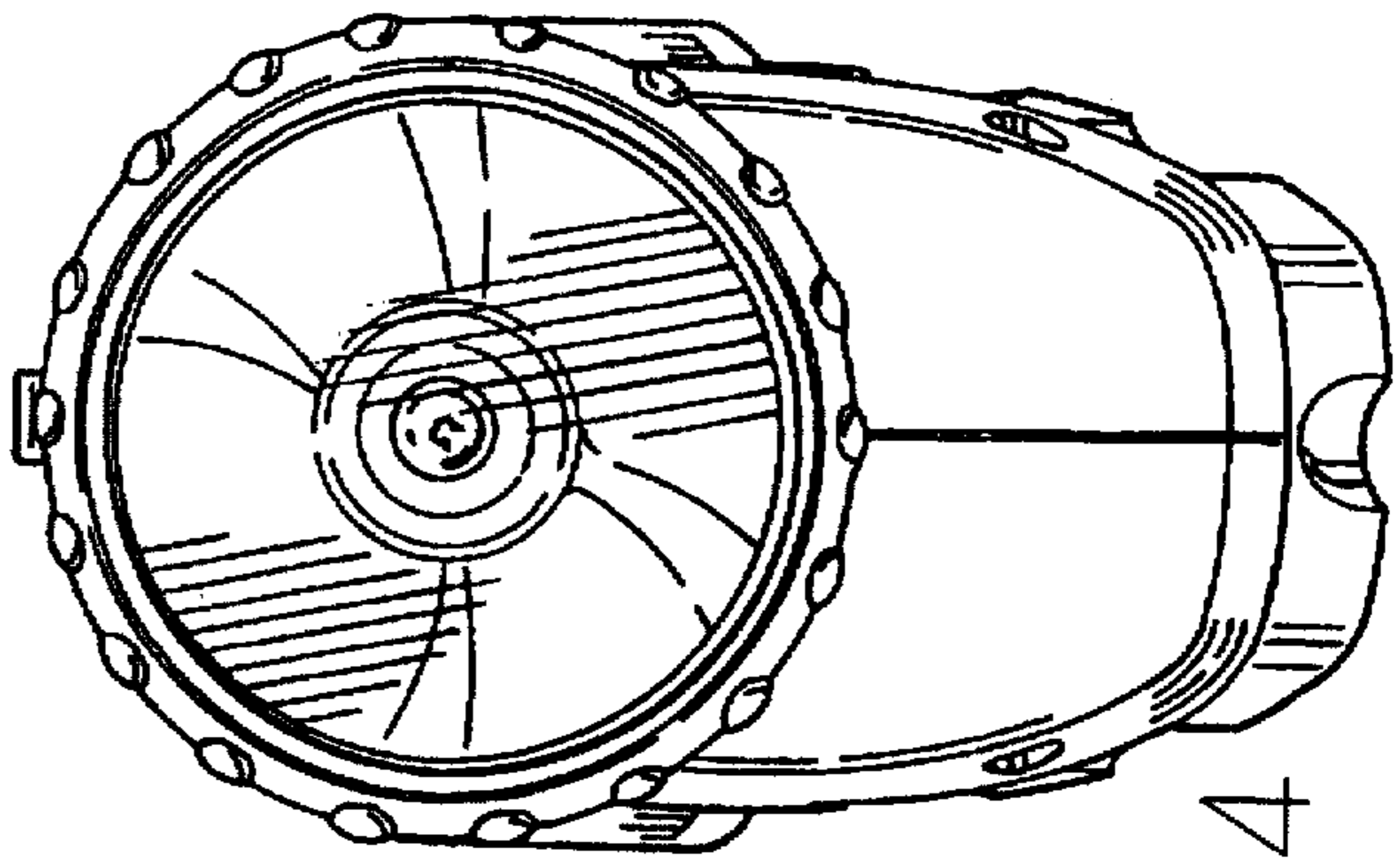


FIG. 14

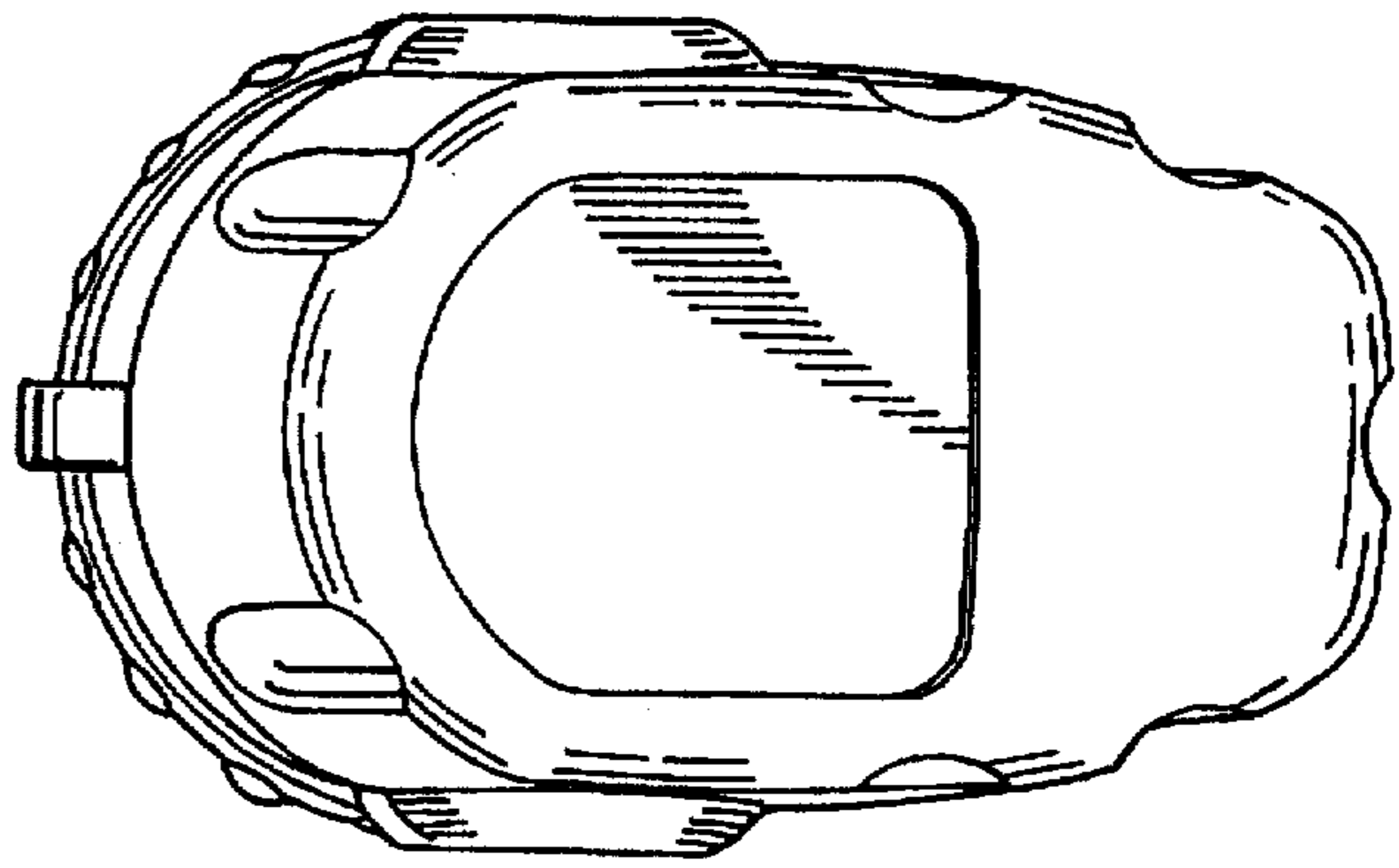


FIG. 15

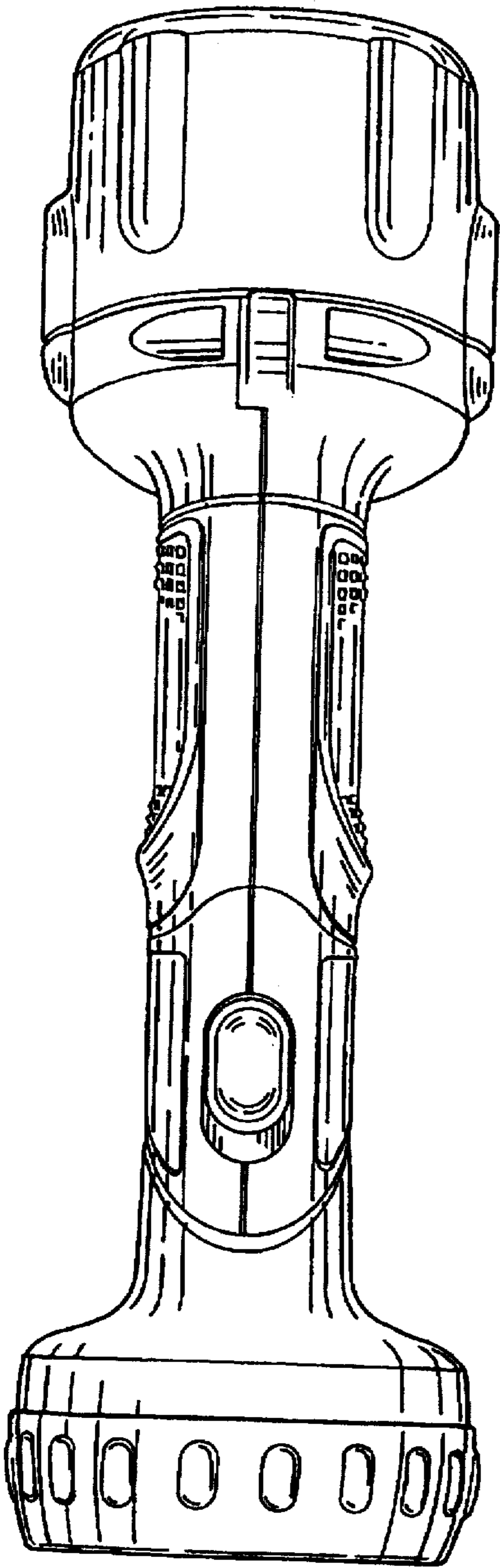


FIG. 17

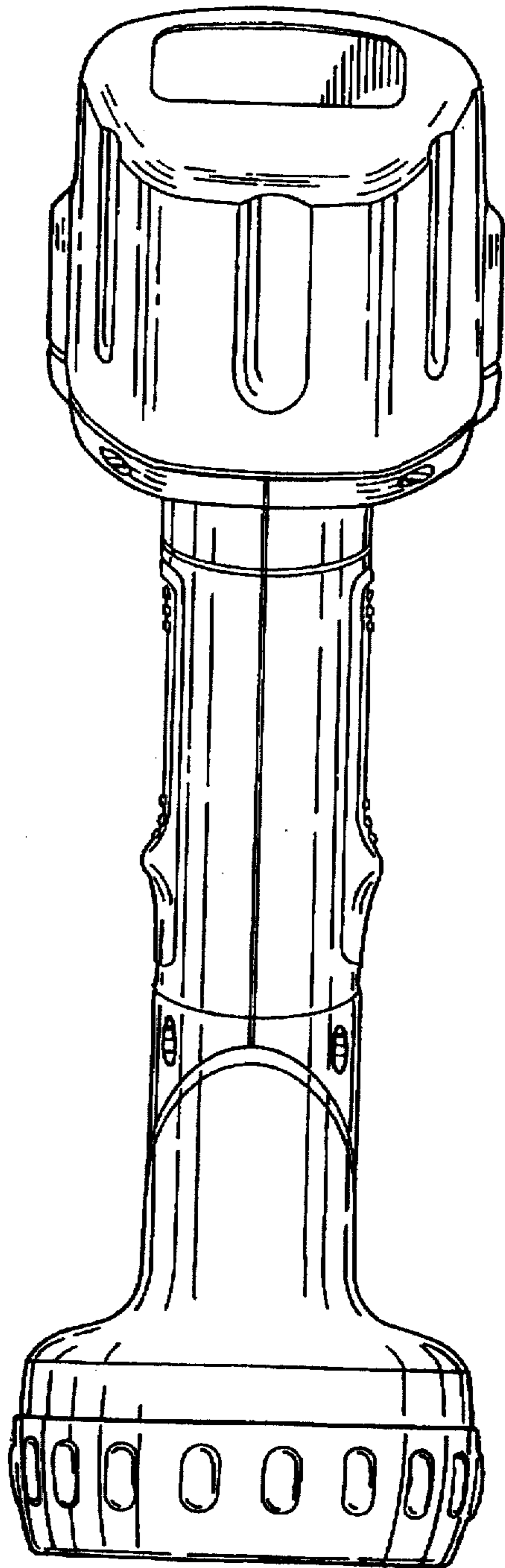


FIG. 18