



US00D387453S

United States Patent [19]
Protzek

[11] **Patent Number: Des. 387,453**

[45] **Date of Patent: **Dec. 9, 1997**

[54] **PURSE ILLUMINATOR**

[76] **Inventor: Diana L. Protzek, P.O. Box 342, Berlin Heights, Ohio 44814**

[**] **Term: 14 Years**

[21] **Appl. No.: 51,401**

[22] **Filed: Mar. 8, 1996**

[51] **LOC (6) Cl. 26-02**

[52] **U.S. Cl. D26/39**

[58] **Field of Search D26/37-50; 362/157, 362/158, 183, 188, 189, 190, 191, 200-208**

[56] **References Cited**

U.S. PATENT DOCUMENTS

D. 298,658	11/1988	Roberts et al.	D26/37
D. 311,067	10/1990	Chabria	D26/46
D. 311,780	10/1990	Urquhart	D26/46
D. 336,688	6/1993	Osterhout	D26/46

D. 355,272	2/1995	Charbria	D26/46
D. 356,174	3/1995	Zo	D26/46
D. 367,720	3/1996	Sinclair	D26/46

Primary Examiner—Marcus A. Jackson
Attorney, Agent, or Firm—Harold H. Dutton, Jr.; Diane F. Liebman

[57] **CLAIM**

The ornamental design for a purse illuminator, as shown.

DESCRIPTION

FIG. 1 is a perspective view of a purse illuminator showing my new design;

FIG. 2 is a rear side view thereof;

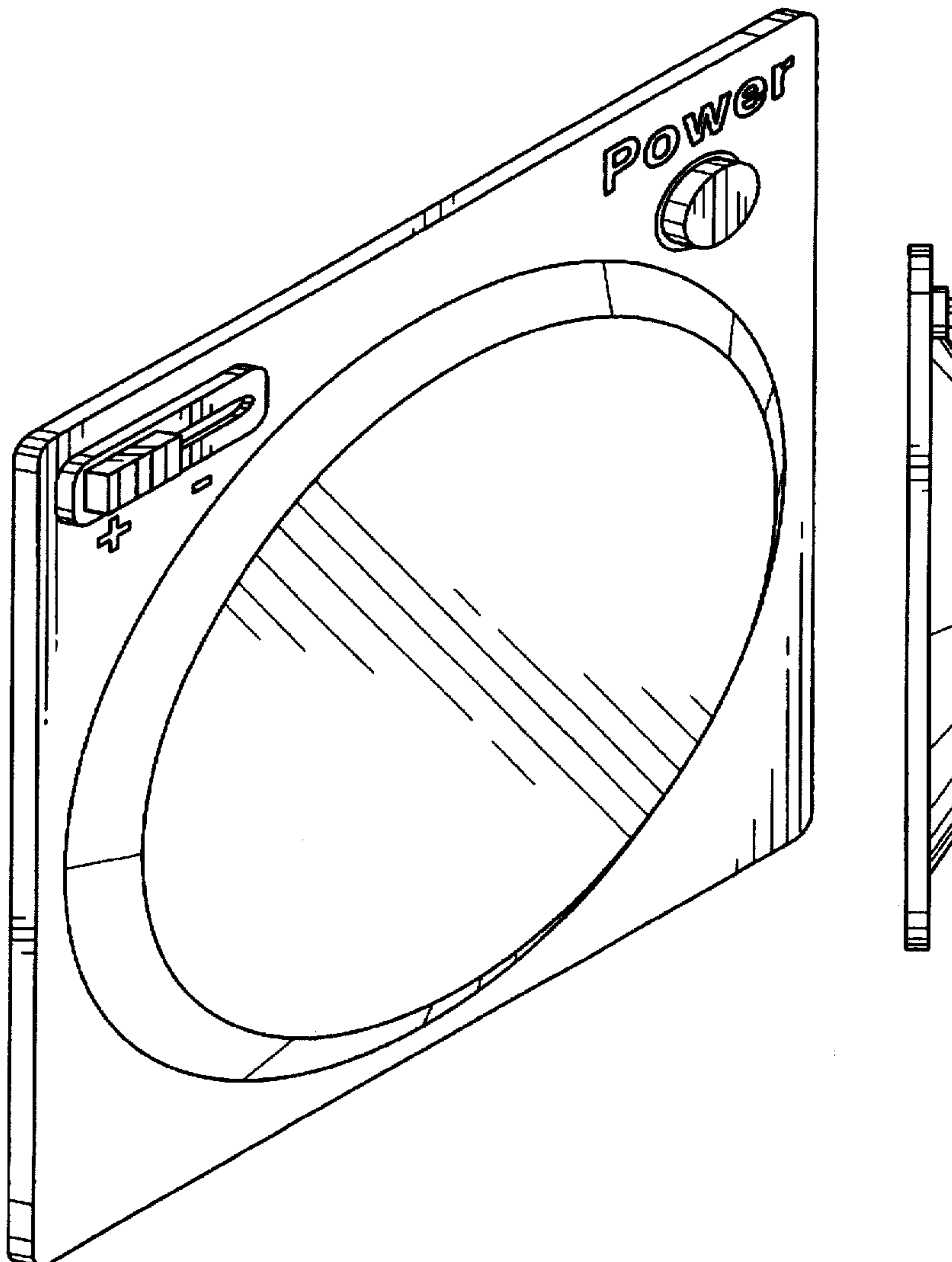
FIG. 3 is a left side view thereof;

FIG. 4 is a right side view thereof;

FIG. 5 is a top end view thereof; and,

FIG. 6 is a bottom end view thereof.

1 Claim, 3 Drawing Sheets



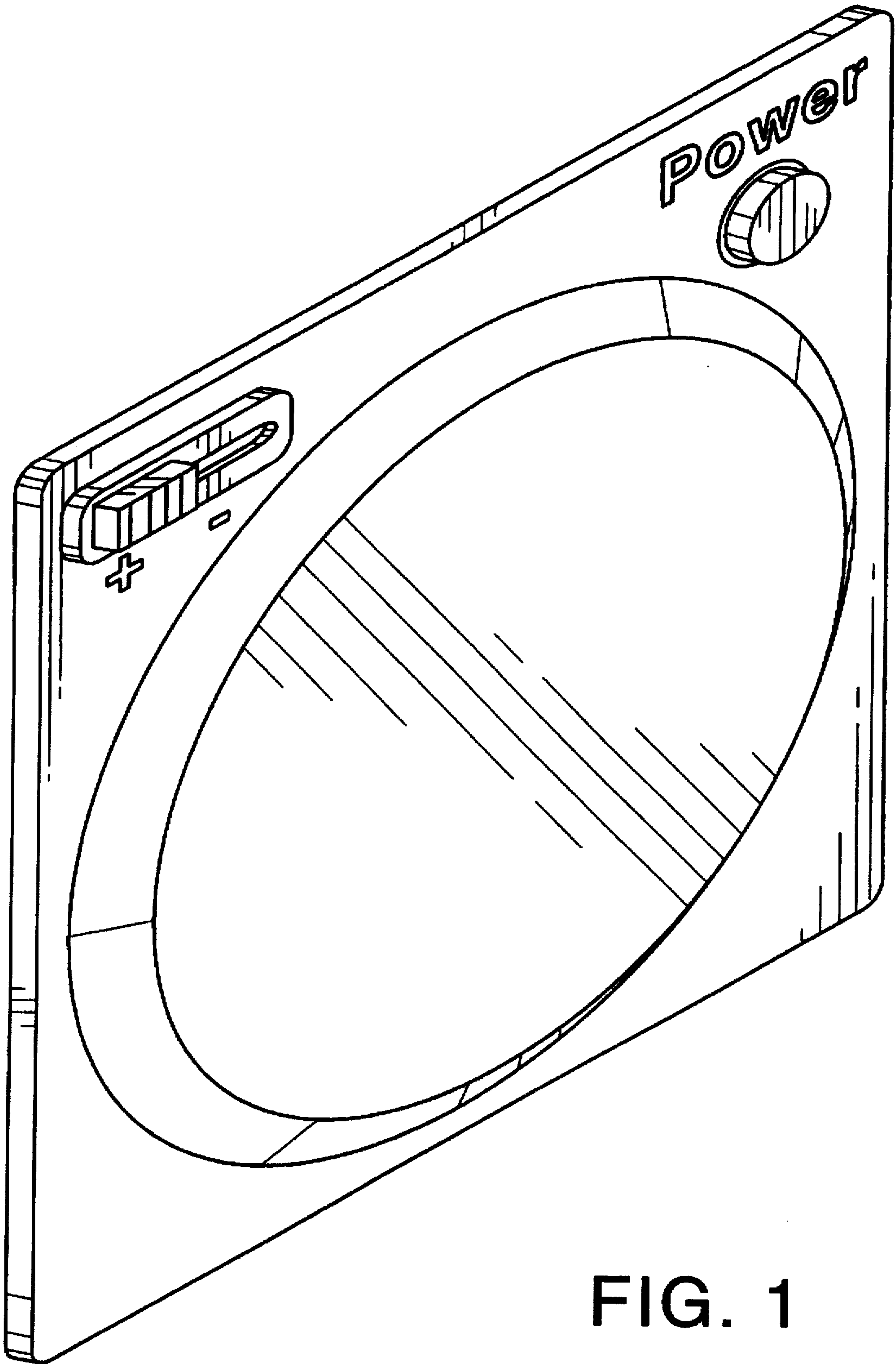


FIG. 1

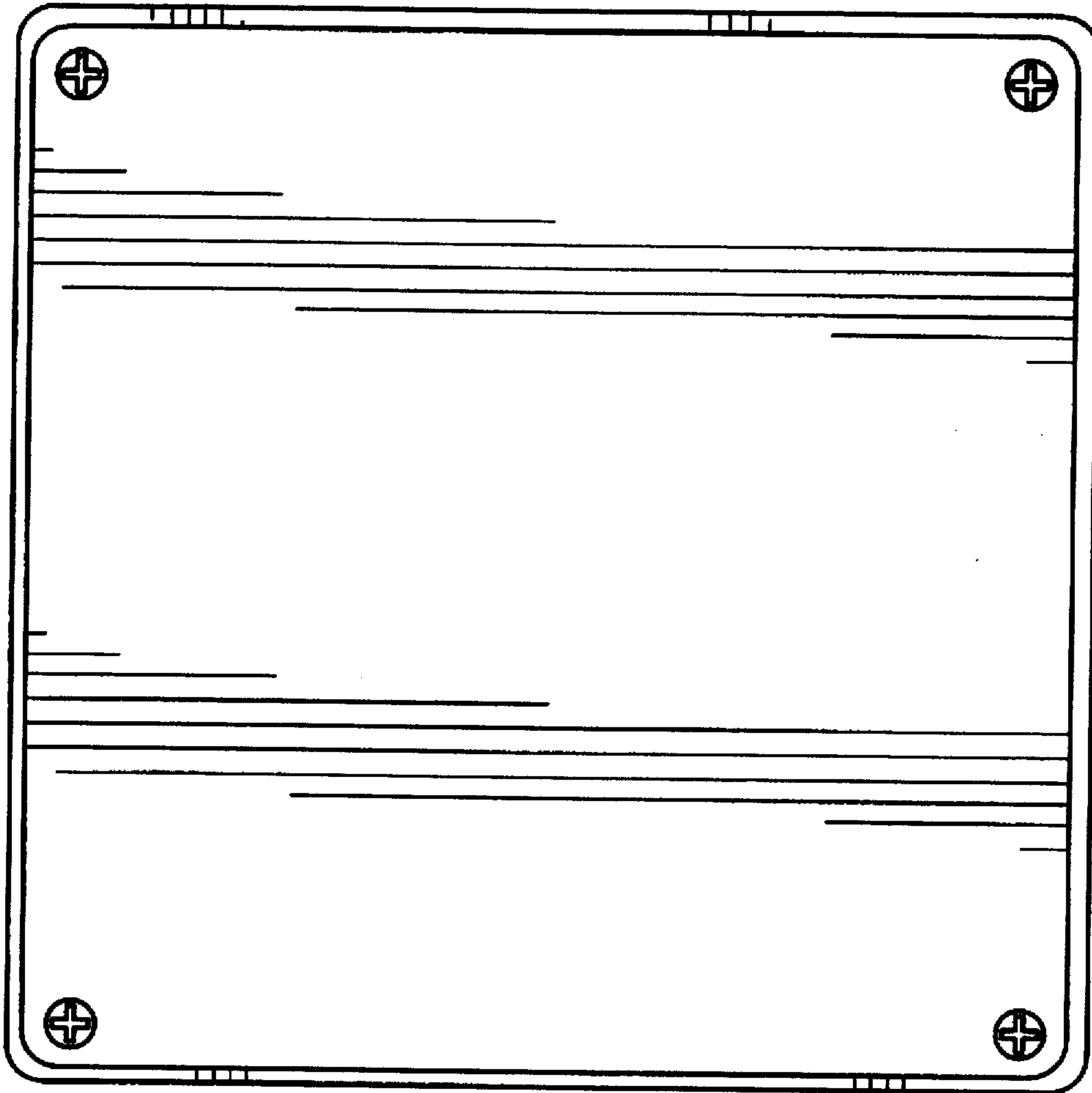


FIG. 2



FIG. 3



FIG. 4

FIG. 5

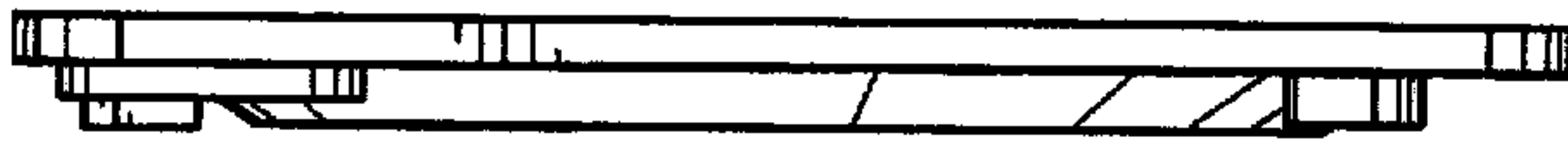


FIG. 6

