



US00D387452S

United States Patent [19]
Lyons

[11] **Patent Number:** **Des. 387,452**
[45] **Date of Patent:** ****Dec. 9, 1997**

[54] **REFLECTOR FOR LINEAR WARNING LIGHT**

[75] **Inventor:** **Harold W. Lyons, Killingworth, Conn.**

[73] **Assignee:** **Whelen Engineering Company, Inc.,
Chester, Conn.**

[**] **Term:** **14 Years**

[21] **Appl. No.:** **55,033**

[22] **Filed:** **May 28, 1996**

[51] **LOC (6) Cl.** **26-06**

[52] **U.S. Cl.** **D26/28**

[58] **Field of Search** **D26/28-36, 85,
D26/87; 362/61, 74, 147, 330, 331, 336,
372**

[56] **References Cited**

U.S. PATENT DOCUMENTS

D. 315,216	3/1991	Kelley et al.	D26/28
D. 317,053	5/1991	Whitley, II	D26/28
D. 324,111	2/1992	Arbisi	D26/28
D. 356,169	3/1995	Lyons	D26/28

Primary Examiner—Marcus A. Jackson
Attorney, Agent, or Firm—Chilton, Alix & Van Kirk

[57] **CLAIM**

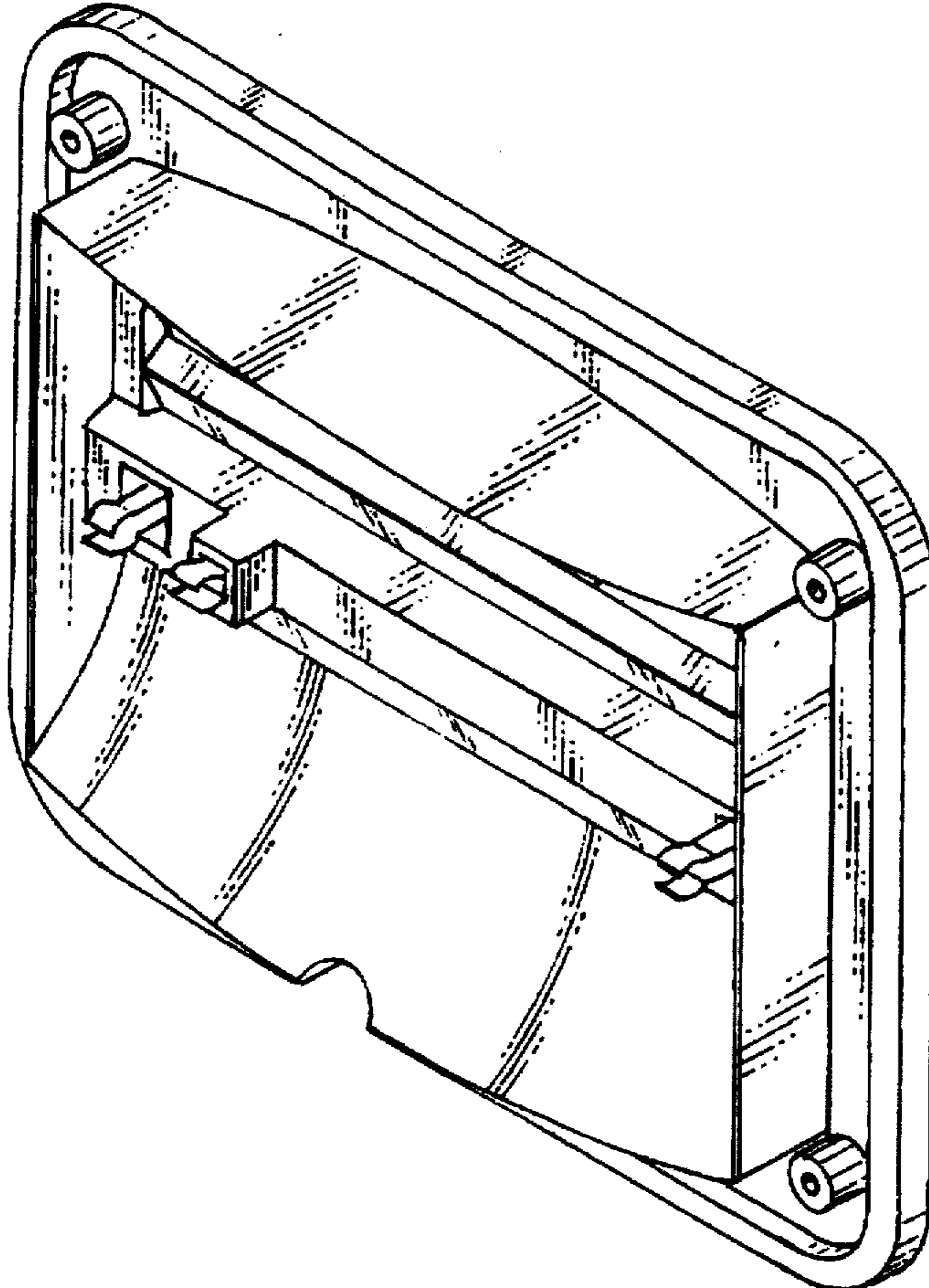
The ornamental design for a reflector for linear warning light, as shown and described.

DESCRIPTION

FIG. 1 is a perspective view of a reflector for linear warning light showing a first embodiment of my new design; FIG. 2 is a front elevational view of the reflector of FIG. 1; FIG. 3 is a side view of the reflector of FIG. 1, the reflector appearing the same when viewed from the opposite side; FIG. 4 is a bottom view of the reflector of FIG. 1, the reflector appearing substantially the same when viewed from the top thereof; FIG. 5 is a perspective view of a reflector for linear warning light showing a second embodiment of my new design; FIG. 6 is a front elevational view of the reflector of FIG. 5; FIG. 7 is a side view of the reflector of FIG. 5; with the opposite side being a mirror image; and, FIG. 8 is a bottom view of the reflector of FIG. 5, the reflector appearing substantially the same when viewed from the top thereof.

The appearance of my new design as seen from the rear forms no part of the claimed design.

1 Claim, 8 Drawing Sheets



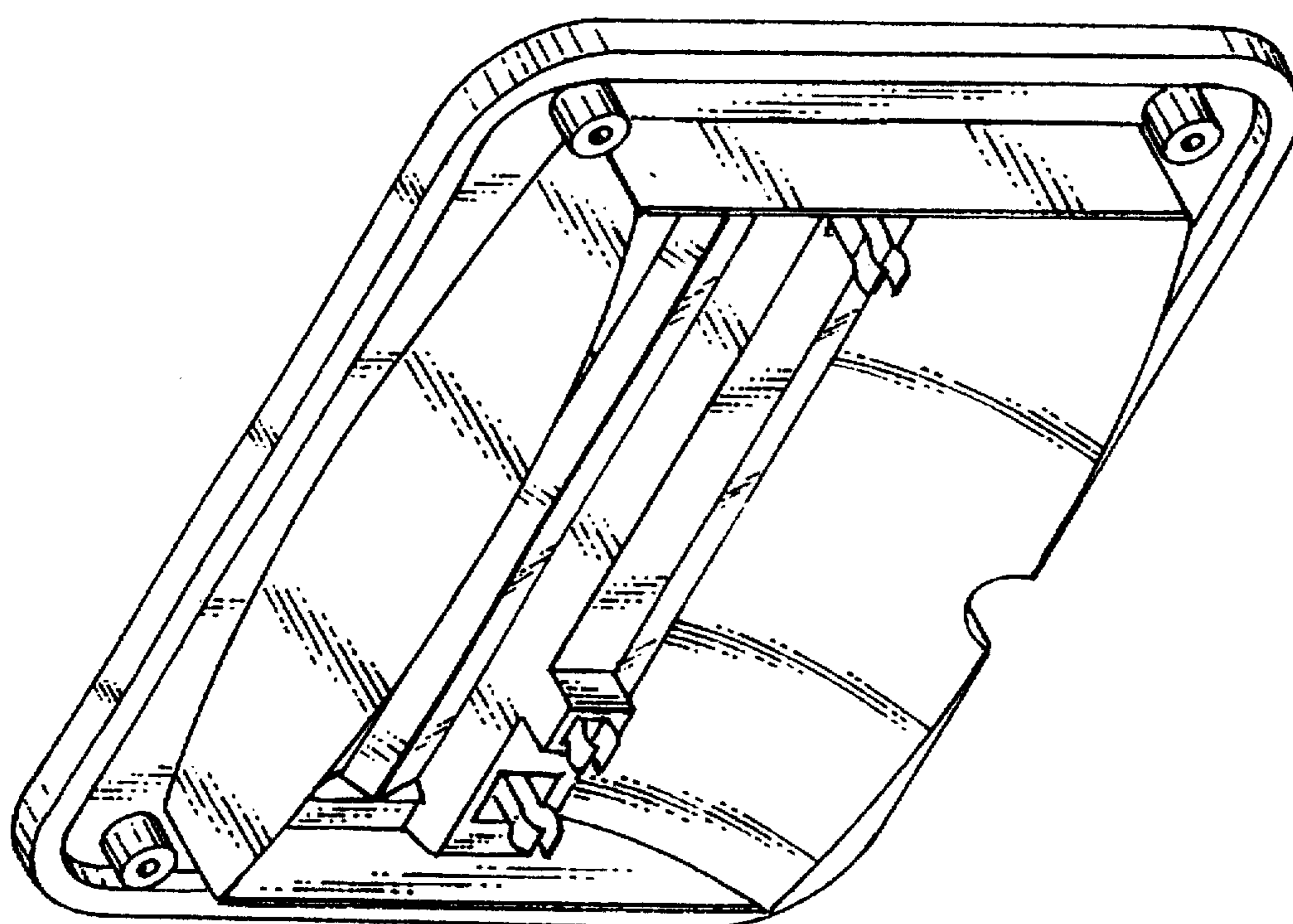


FIG. 1

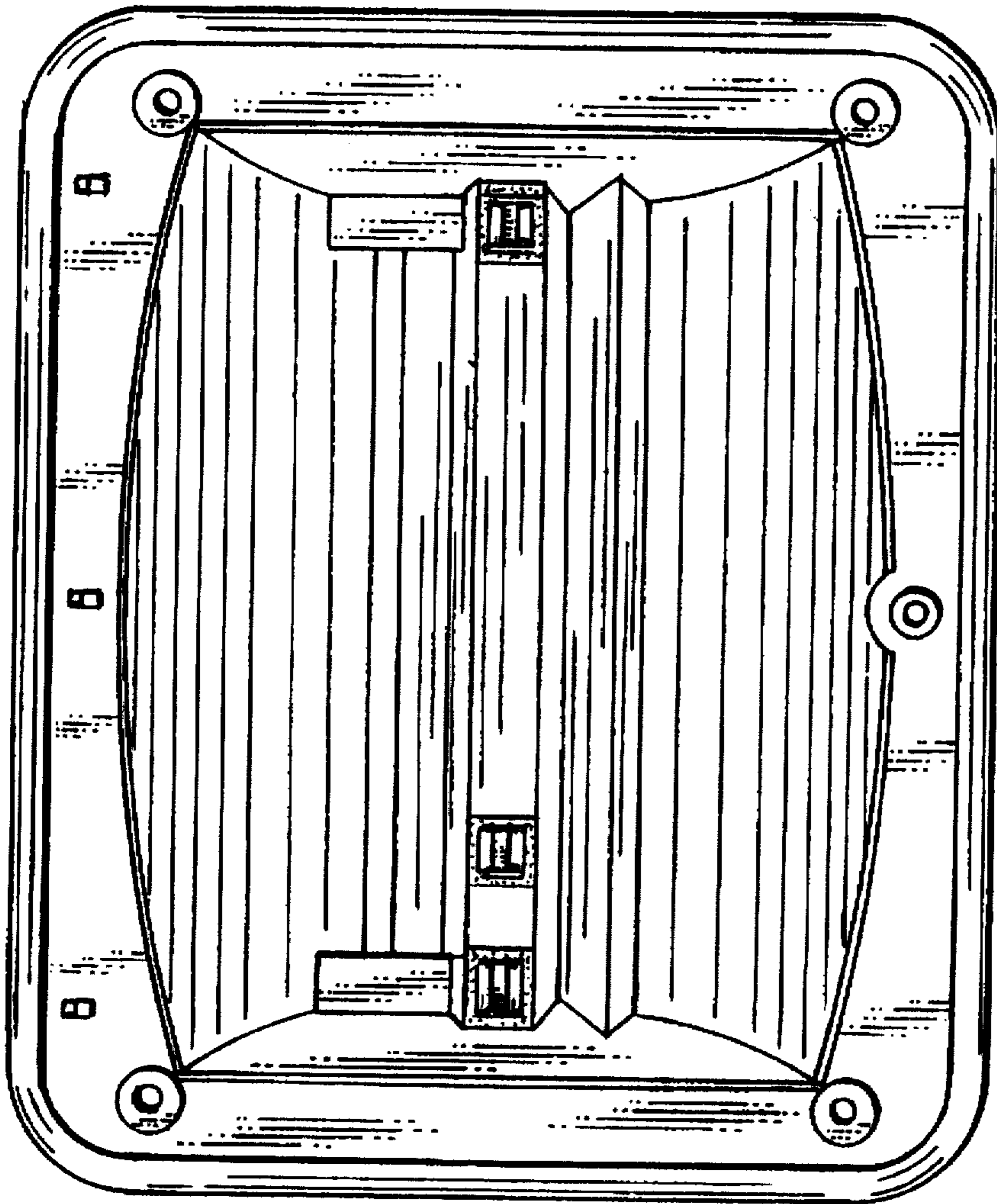


FIG. 2

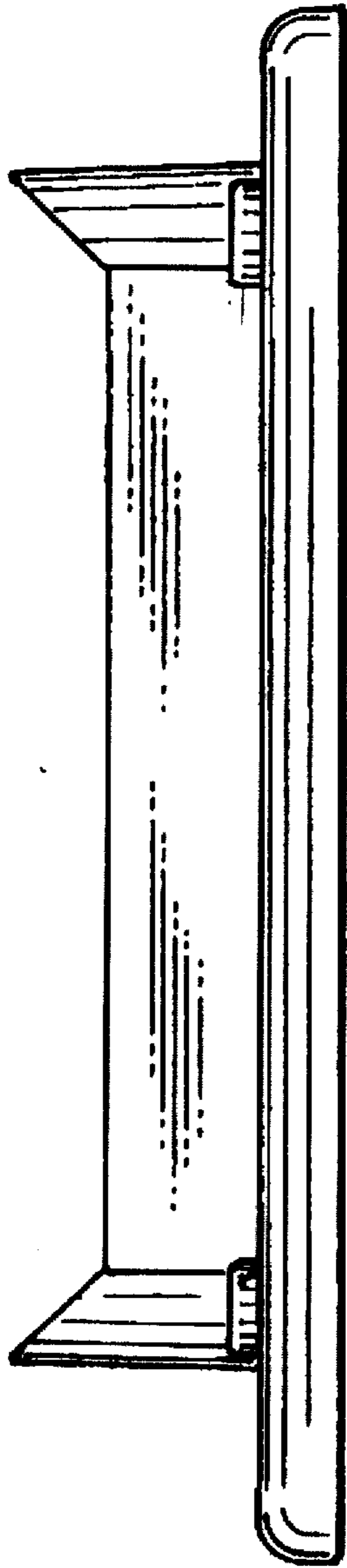


FIG. 3

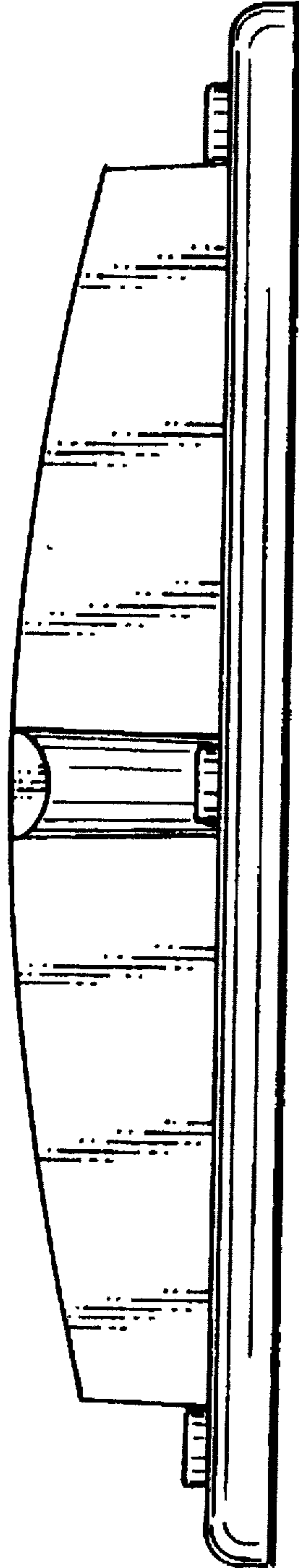


FIG. 4

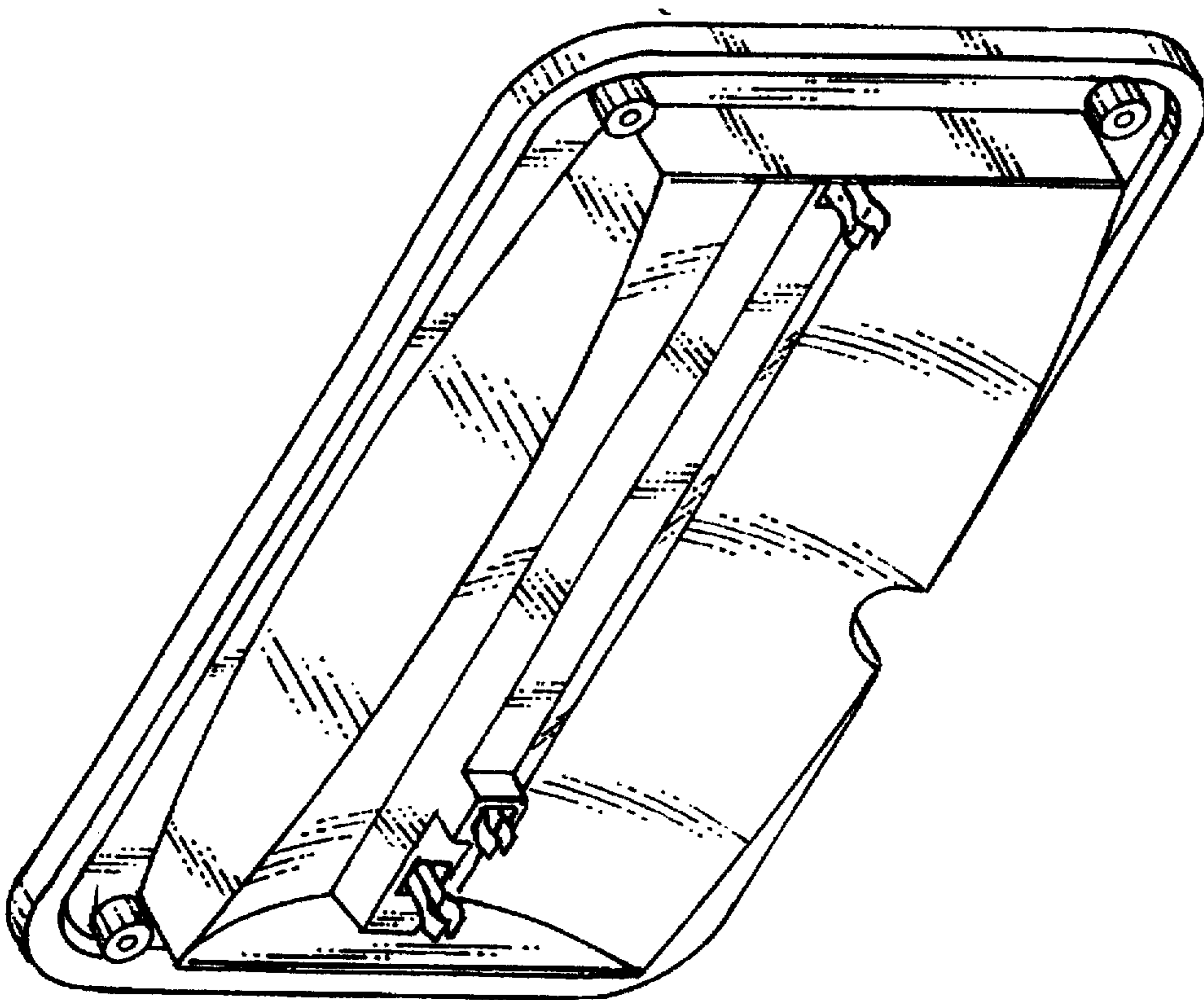


FIG. 5

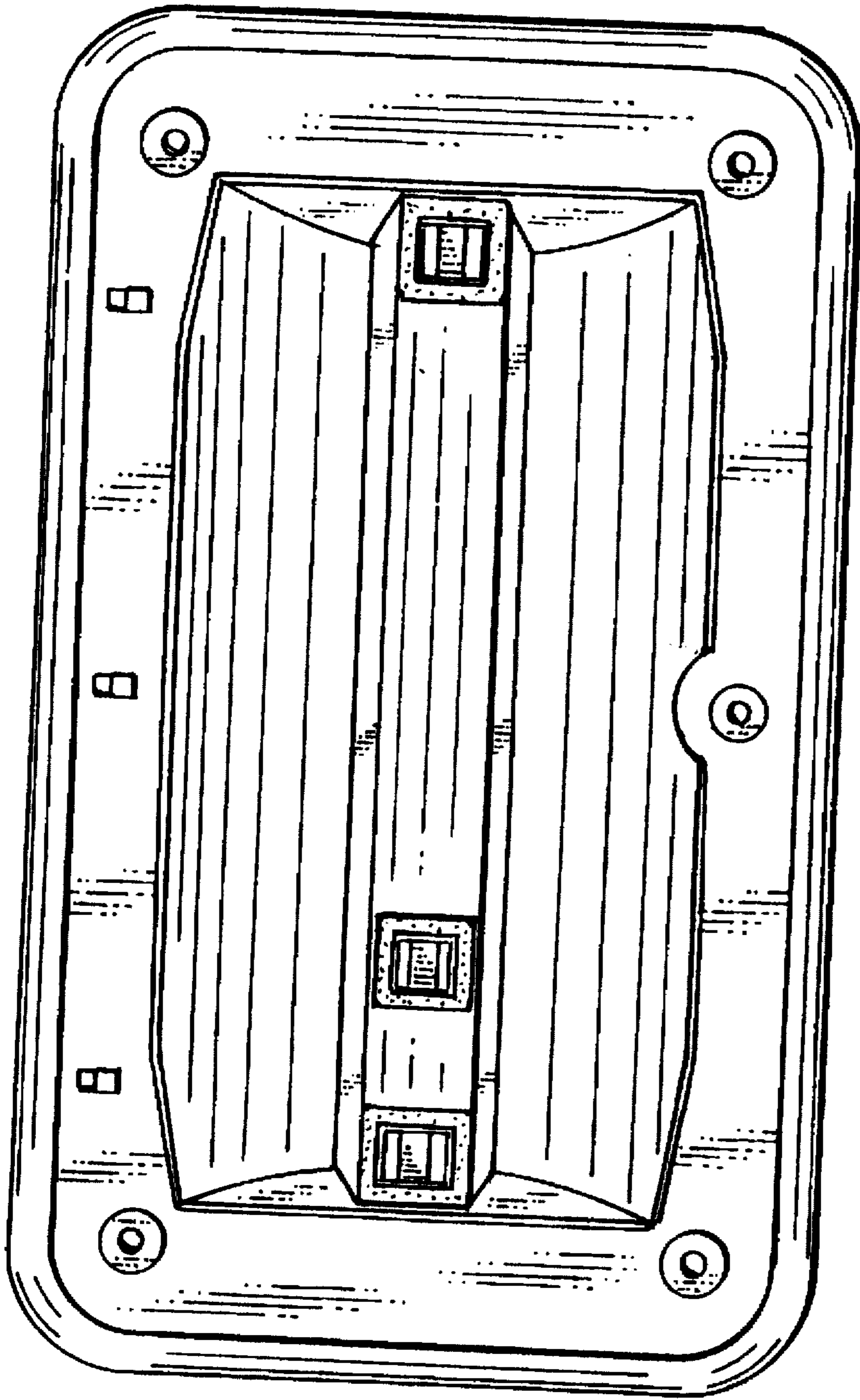


FIG. 6

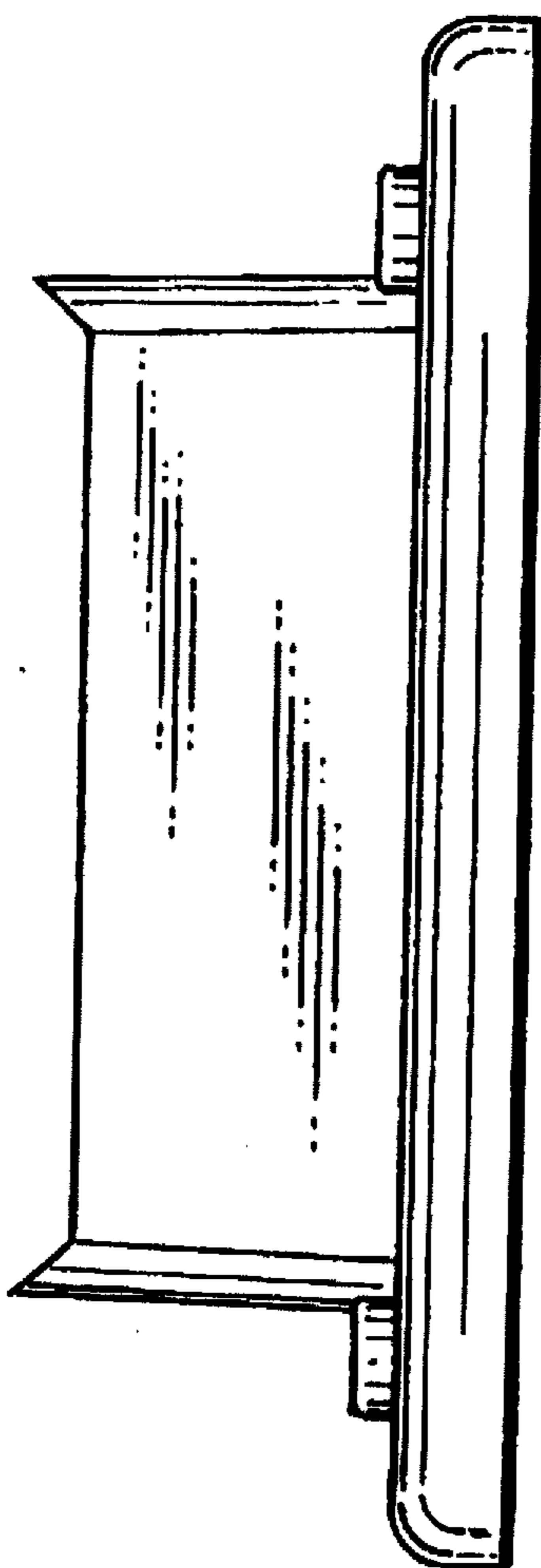


FIG. 7

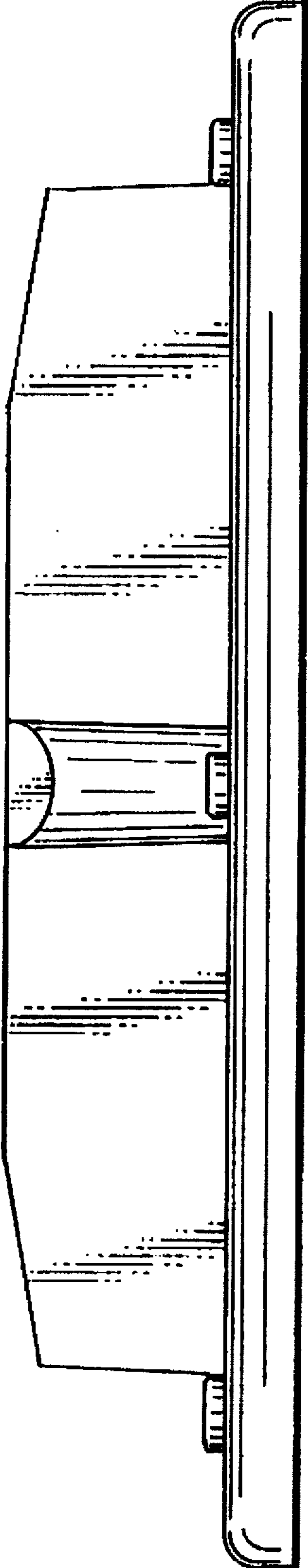


FIG. 8