



US00D387451S

# United States Patent [19] Lyons

[11] Patent Number: **Des. 387,451**

[45] Date of Patent: **\*\*Dec. 9, 1997**

[54] **REFLECTOR FOR UTILITY LIGHT**

[75] Inventor: **Harold W. Lyons, Killingworth, Conn.**

[73] Assignee: **Whelen Engineering Company, Inc.,  
Chester, Conn.**

[\*\*] Term: **14 Years**

[21] Appl. No.: **54,527**

[22] Filed: **May 16, 1996**

[51] LOC (6) Cl. .... **26-06**

[52] U.S. Cl. .... **D26/28**

[58] Field of Search ..... **D26/28-36; 362/61,  
362/74, 147, 330, 331, 336, 372**

[56] **References Cited**

**U.S. PATENT DOCUMENTS**

D. 315,216 3/1991 Kelley et al. .... **D26/28**

D. 317,053 5/1991 Whitley, II ..... **D26/28**

D. 324,111 2/1992 Arbisi ..... **D26/28**  
D. 356,169 3/1995 Lyons ..... **D26/28**

*Primary Examiner*—**Marcus A. Jackson**

*Attorney, Agent, or Firm*—**Chilton, Alix & Van Kirk**

[57] **CLAIM**

The ornamental design for a reflector for utility light, as shown and described.

**DESCRIPTION**

FIG. 1 is a perspective view of a reflector for utility light showing my new design;

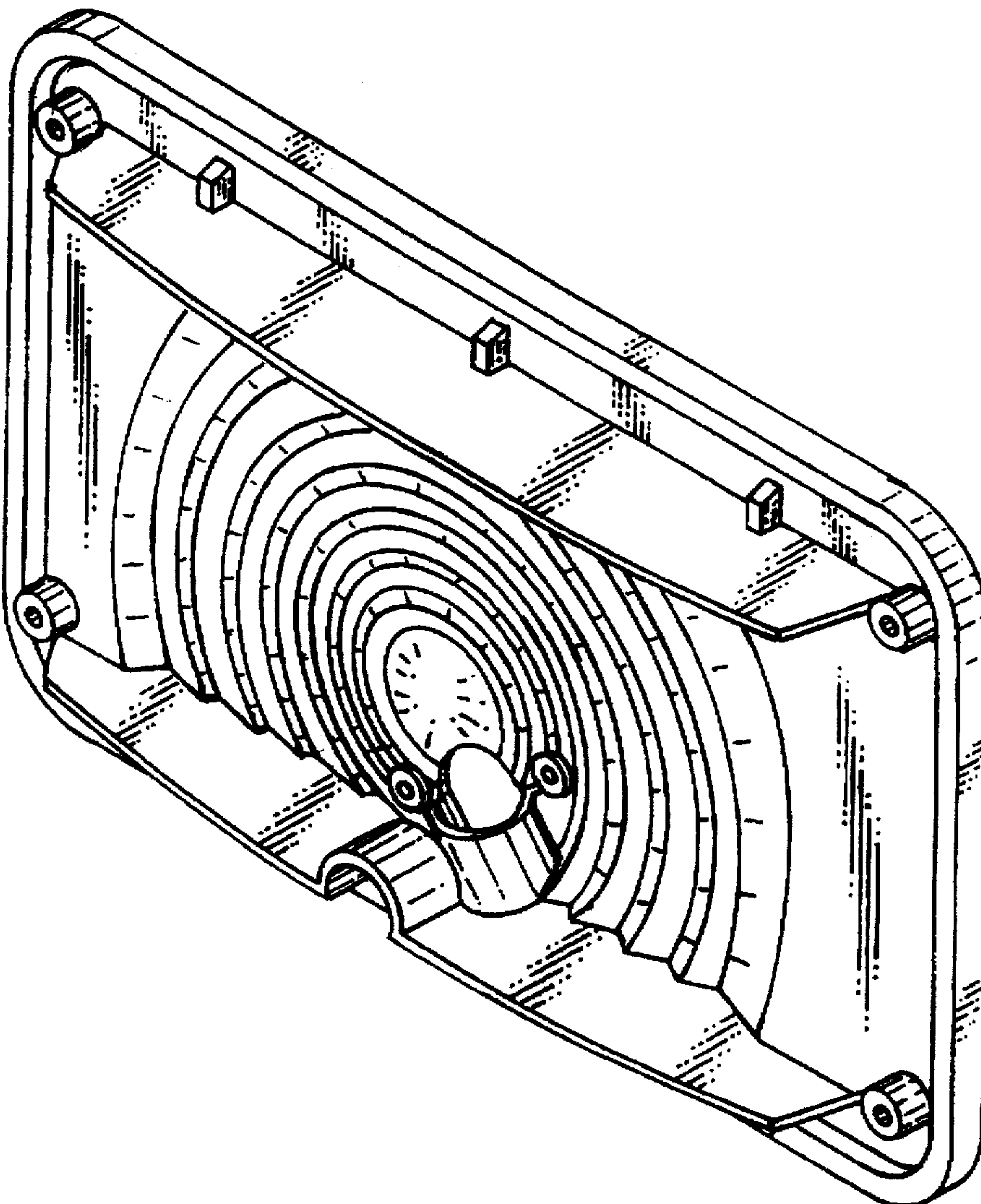
FIG. 2 is a front elevation view thereof;

FIG. 3 is a side elevational view thereof, the reflector appearing the same when viewed from the opposite side; and,

FIG. 4 is a bottom view thereof, the reflector appearing the same when viewed from the top.

The appearance of my new design as seen from the rear forms no part of the claimed design.

**1 Claim, 4 Drawing Sheets**



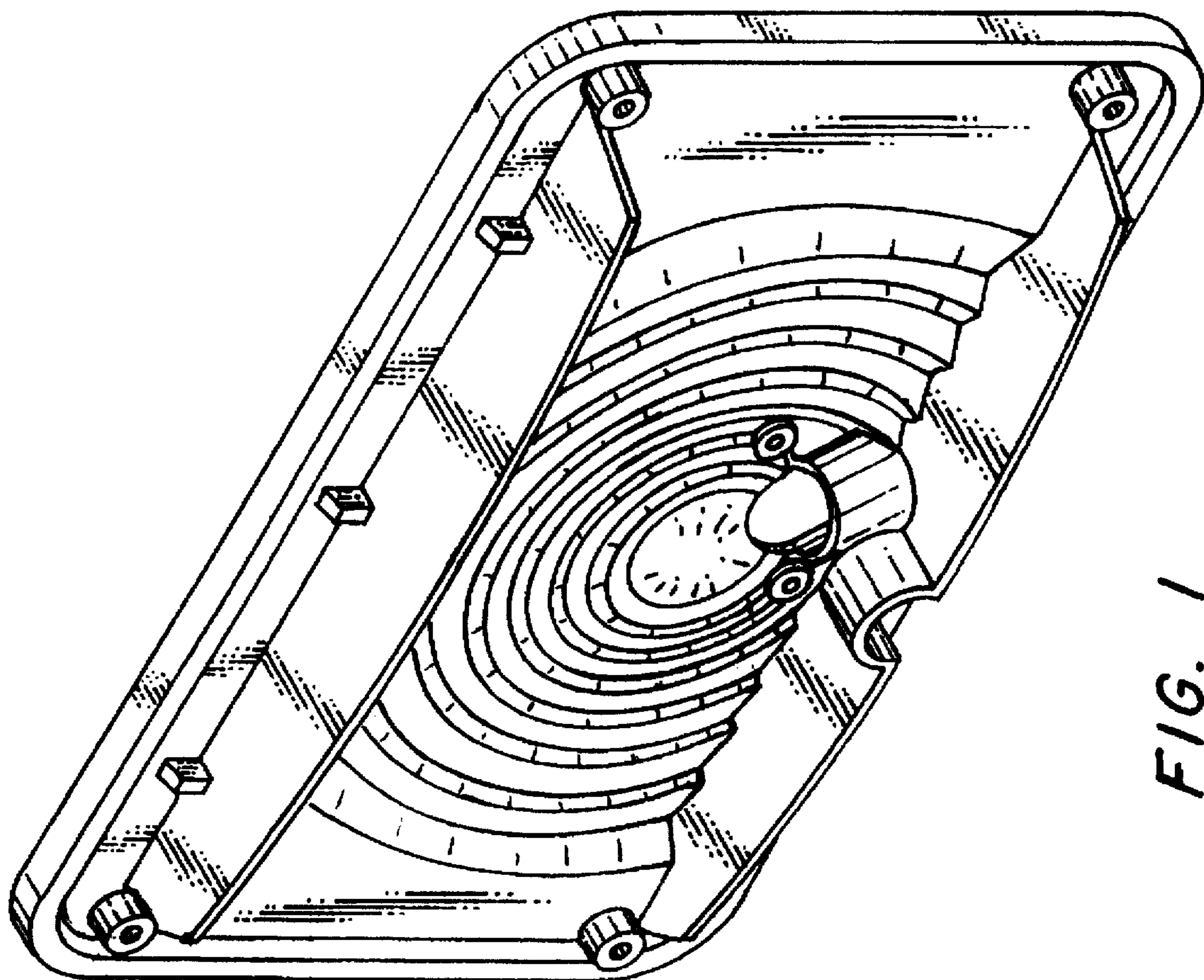


FIG. 1

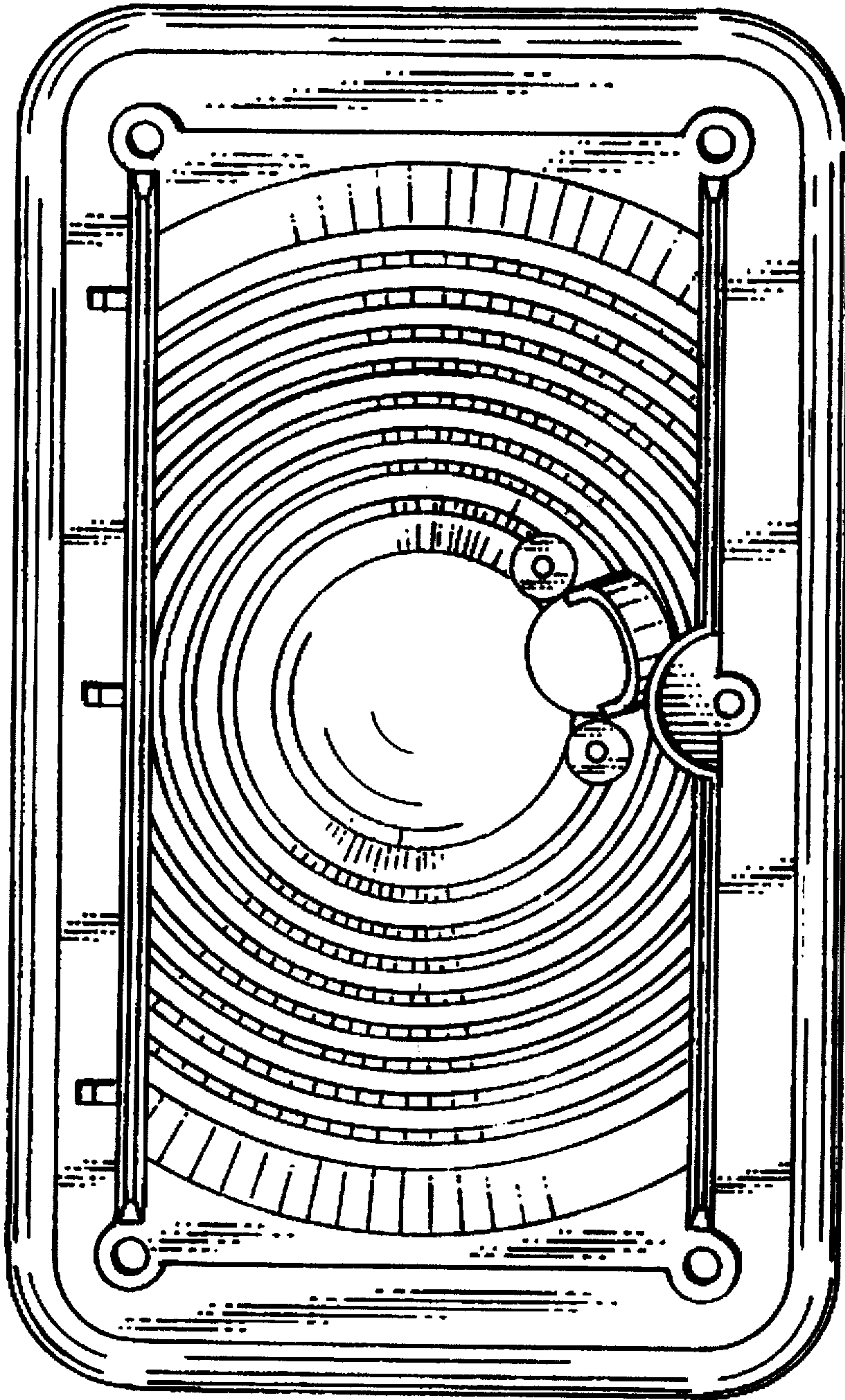


FIG. 2



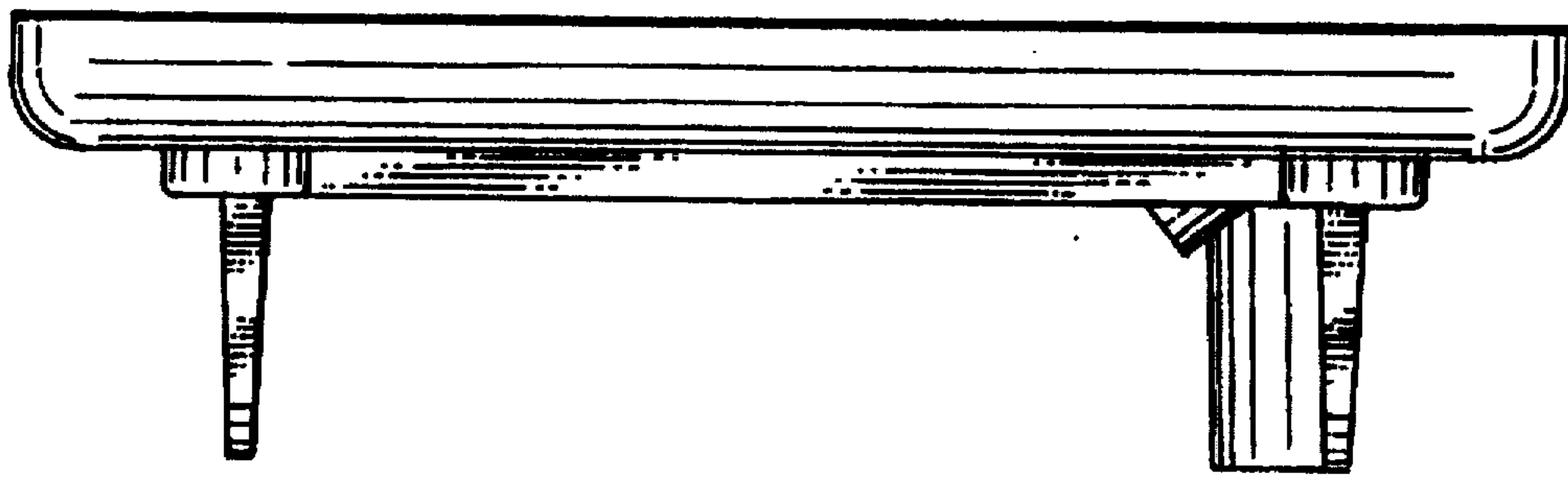


FIG. 3

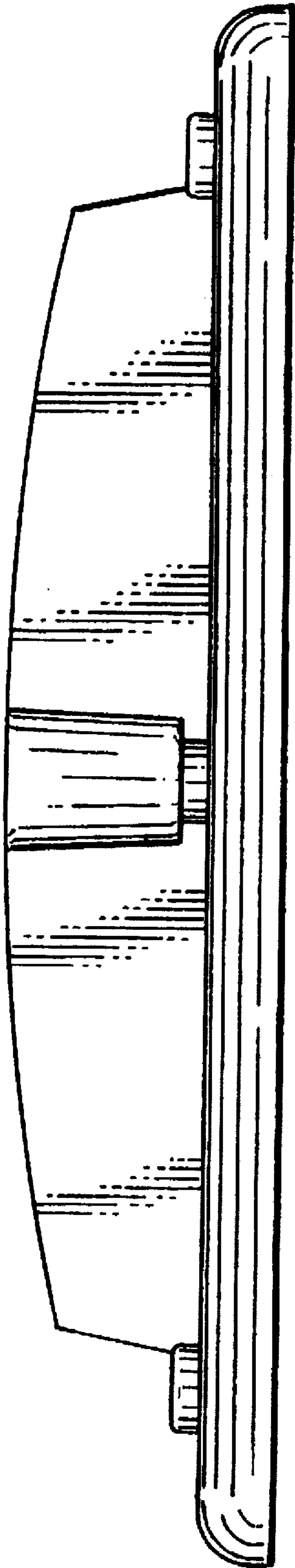


FIG. 4