



US00D387449S

United States Patent [19]
Lyons

[11] **Patent Number:** **Des. 387,449**
[45] **Date of Patent:** ****Dec. 9, 1997**

[54] **REFLECTOR FOR WARNING LIGHT**

[75] **Inventor:** **Harold W. Lyons, Killingworth, Conn.**

[73] **Assignee:** **Whelen Engineering Company, Inc.,
Chester, Conn.**

[**] **Term:** **14 Years**

[21] **Appl. No.:** **54,522**

[22] **Filed:** **May 16, 1996**

[51] **LOC (6) Cl.** **26-06**

[52] **U.S. Cl.** **D26/28**

[58] **Field of Search** **D26/28-36, 85,
D26/87; 362/61, 74, 147, 330, 331, 336,
372**

[56] **References Cited**

U.S. PATENT DOCUMENTS

D. 315,216	3/1991	Kelley et al.	D26/28
D. 317,053	5/1991	Whitley, II	D26/28
D. 324,111	2/1992	Arbisi	D26/28
D. 356,169	3/1995	Lyons	D26/28

Primary Examiner—**Marcus A. Jackson**

Attorney, Agent, or Firm—**Chilton, Alix & Van Kirk**

[57] **CLAIM**

The ornamental design for a reflector for warning light, as shown and described.

DESCRIPTION

FIG. 1 is a perspective view of a first embodiment of a reflector for warning light showing my new design; FIG. 2 is a front elevation view of the reflector of FIG. 1; FIG. 3 is a side elevational view of the reflector of FIG. 1, the reflector appearing the same when viewed from the opposite side;

FIG. 4 is a bottom view of the reflector of FIG. 1, the reflector appearing the same when viewed from the top;

FIG. 5 is a perspective view of a second embodiment of a reflector for warning light showing my new design;

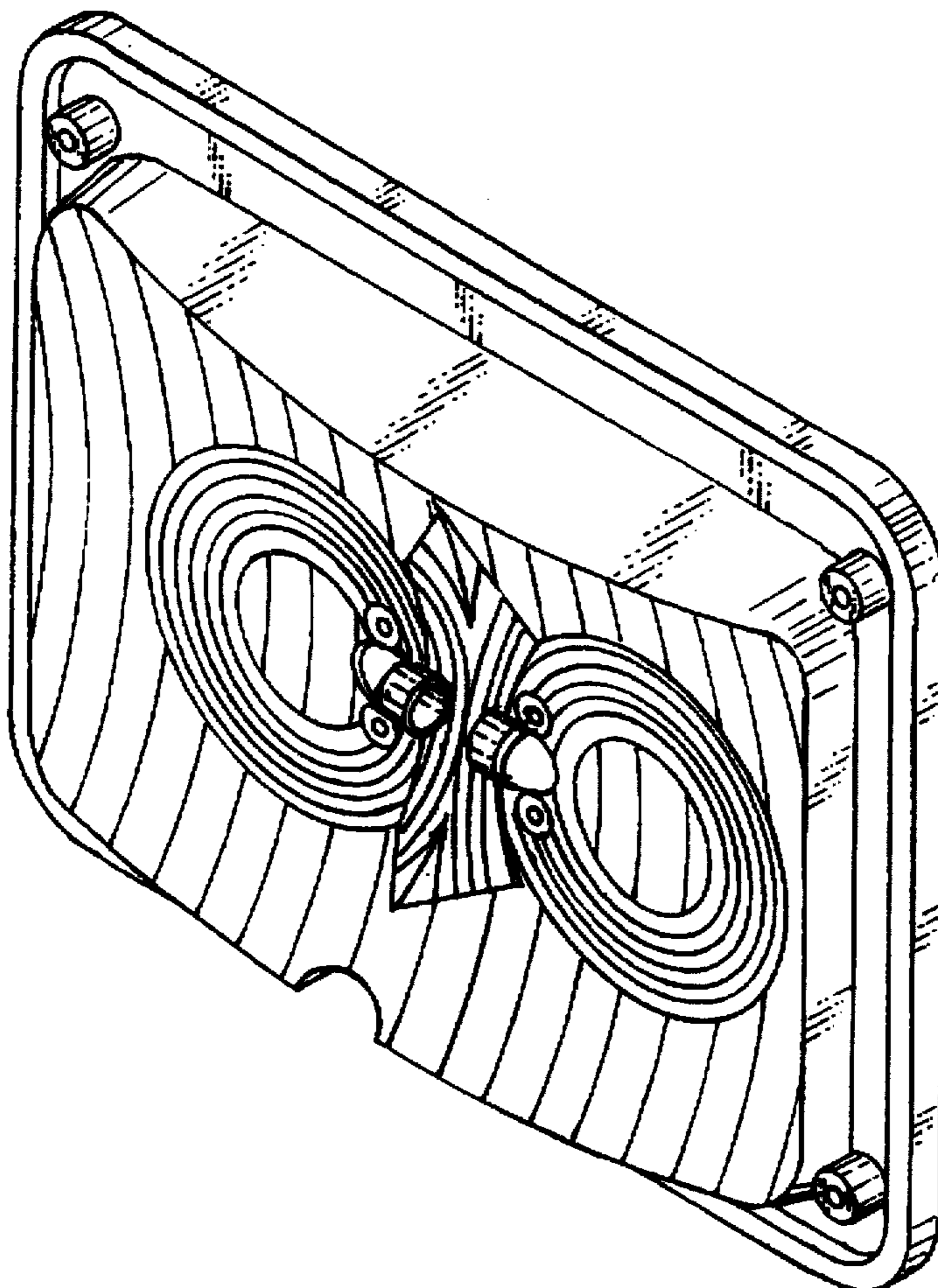
FIG. 6 is a front elevation view of the reflector of FIG. 5;

FIG. 7 is a side elevation view of the reflector of FIG. 1, the reflector appearing the same when viewed from the opposite side; and,

FIG. 8 is a bottom view of the reflector of FIG. 5, the reflector appearing the same when viewed from the top.

The appearance of my new design as seen from the rear forms no part of the claimed design.

1 Claim, 8 Drawing Sheets



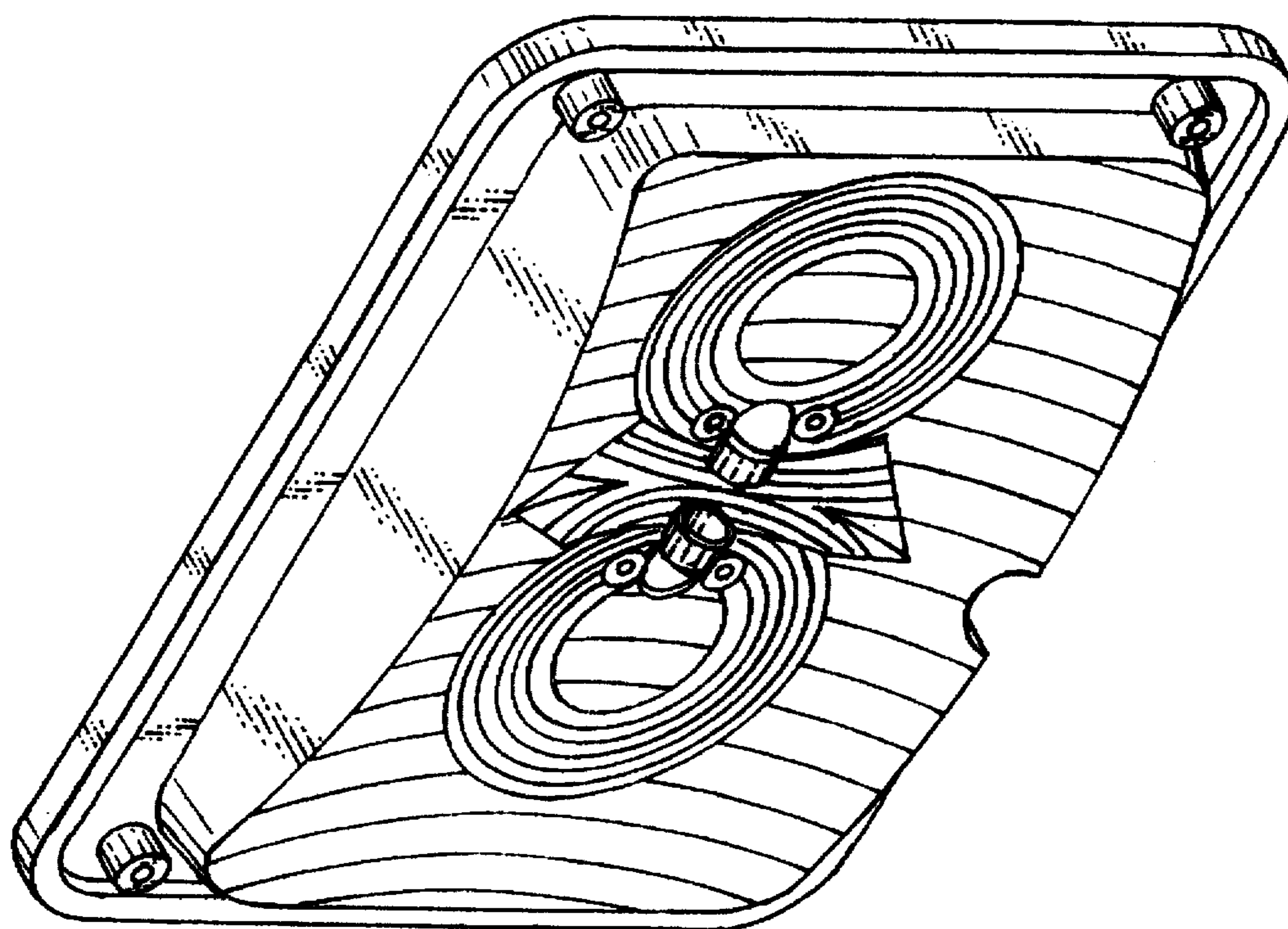


FIG. 1

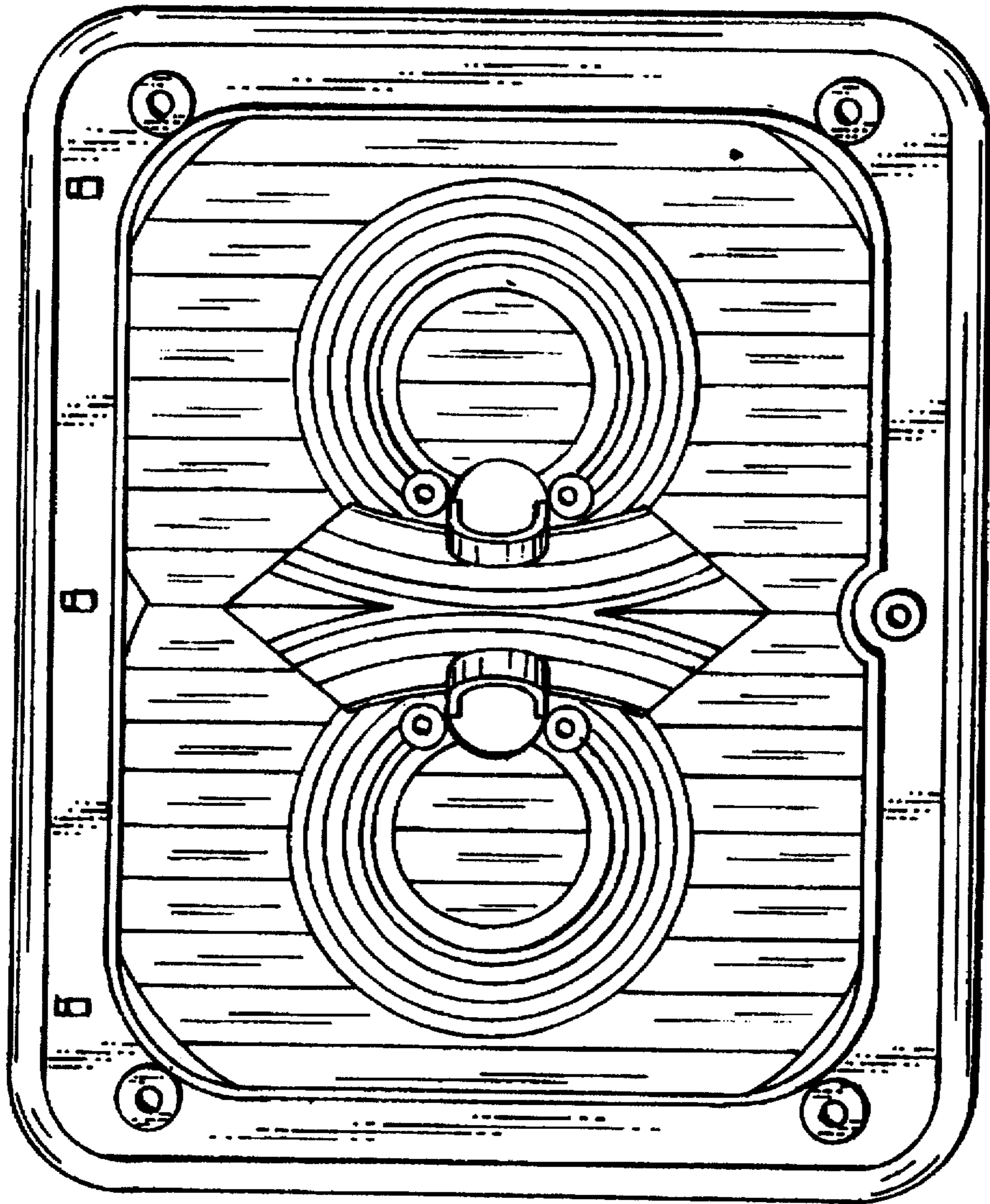


FIG. 2

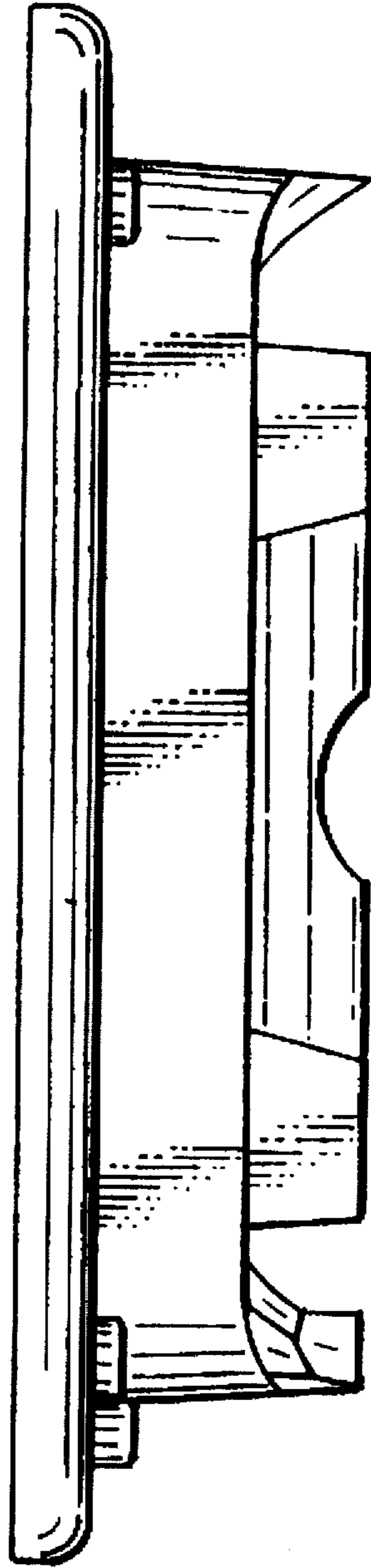


FIG. 3

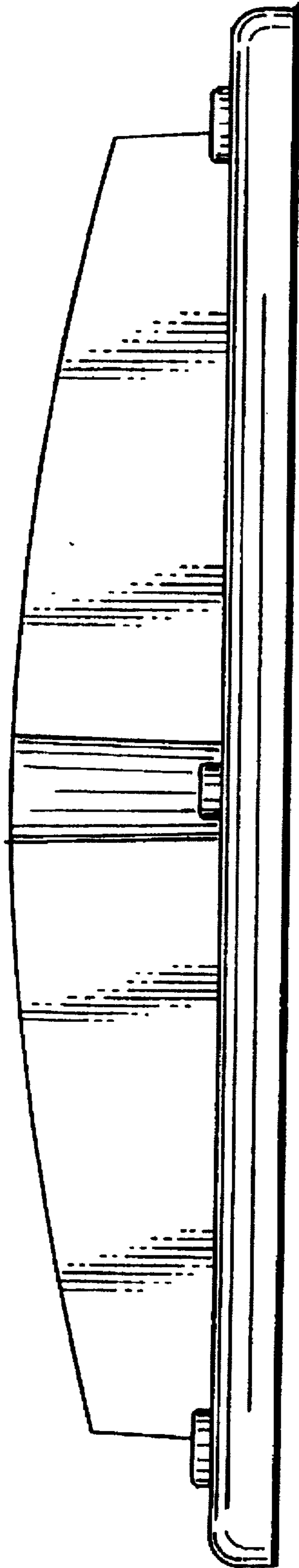


FIG. 4

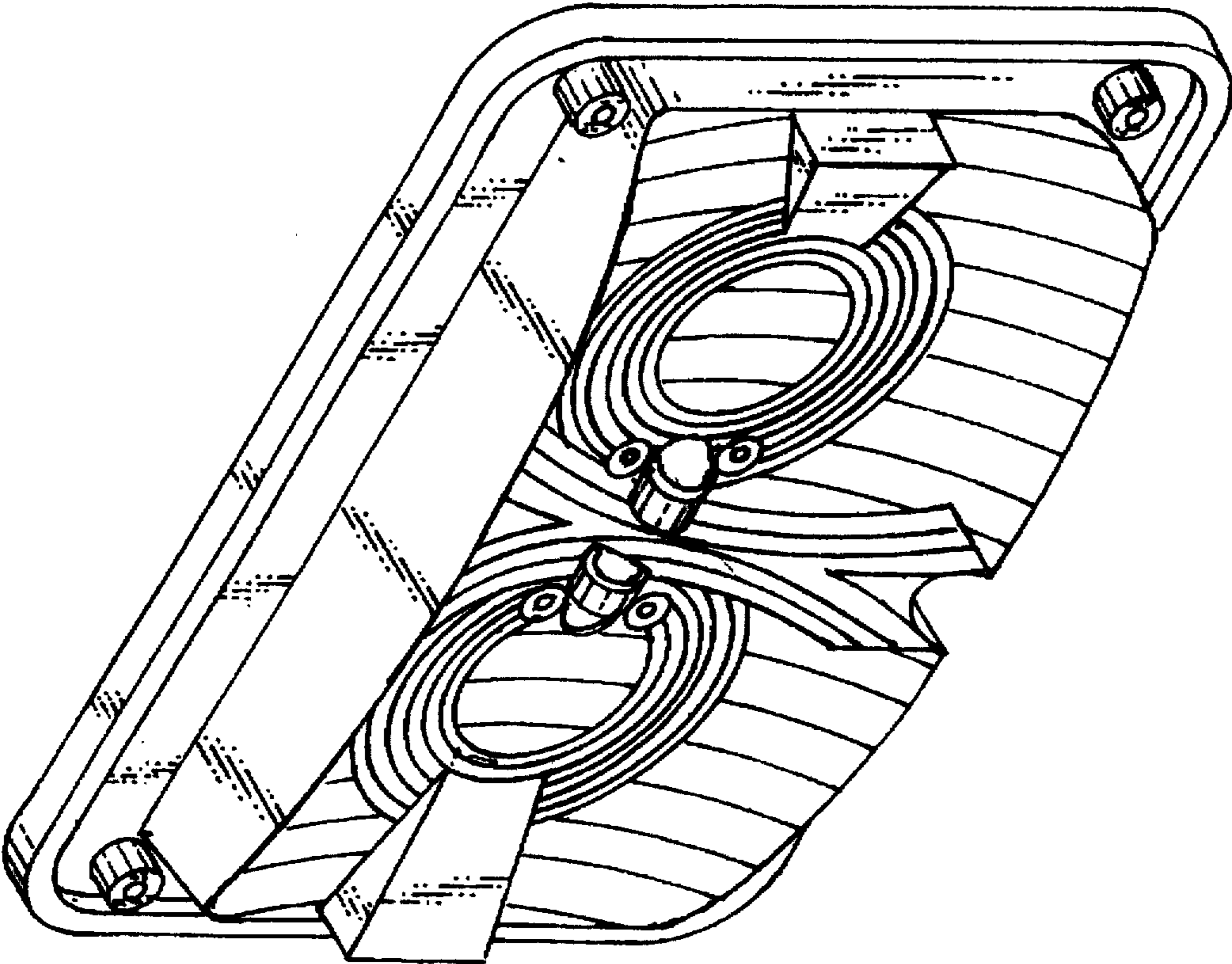


FIG. 5

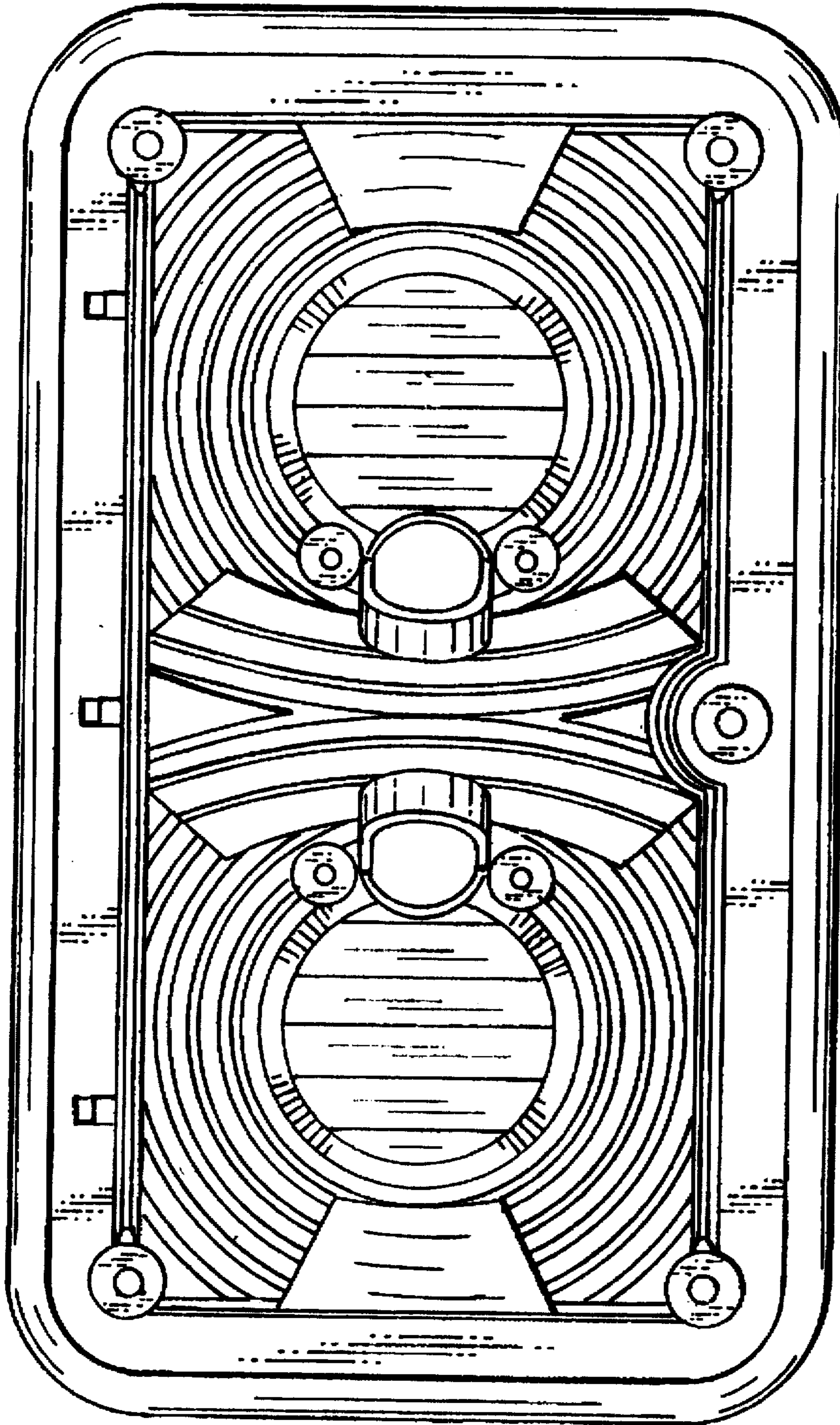


FIG. 6

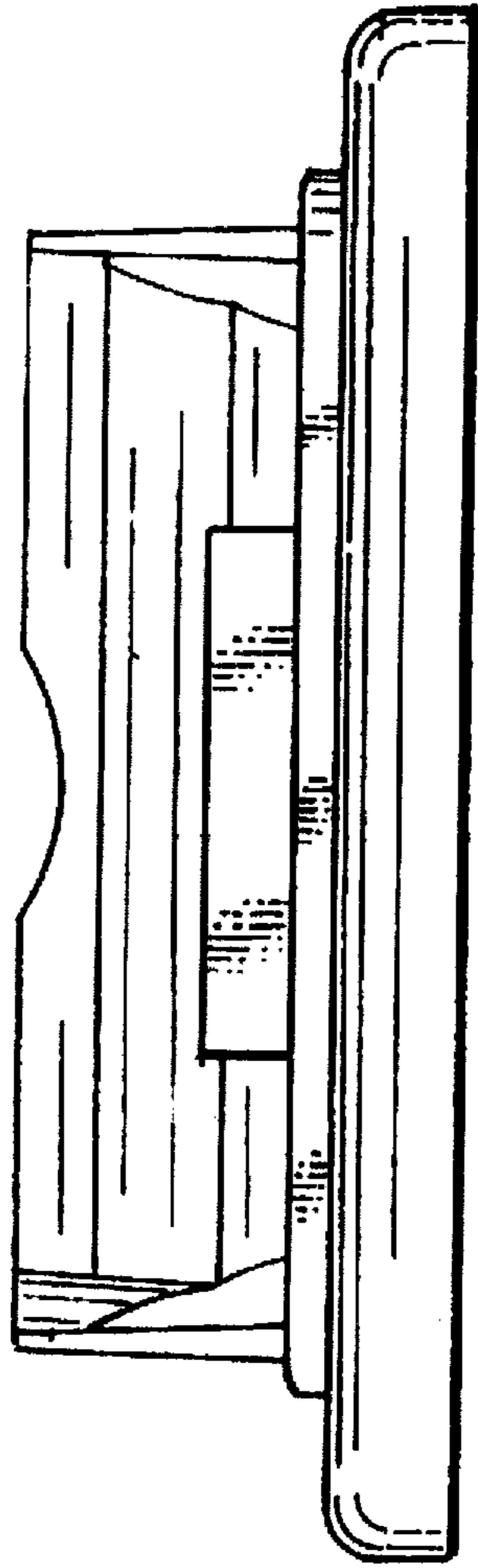


FIG. 7

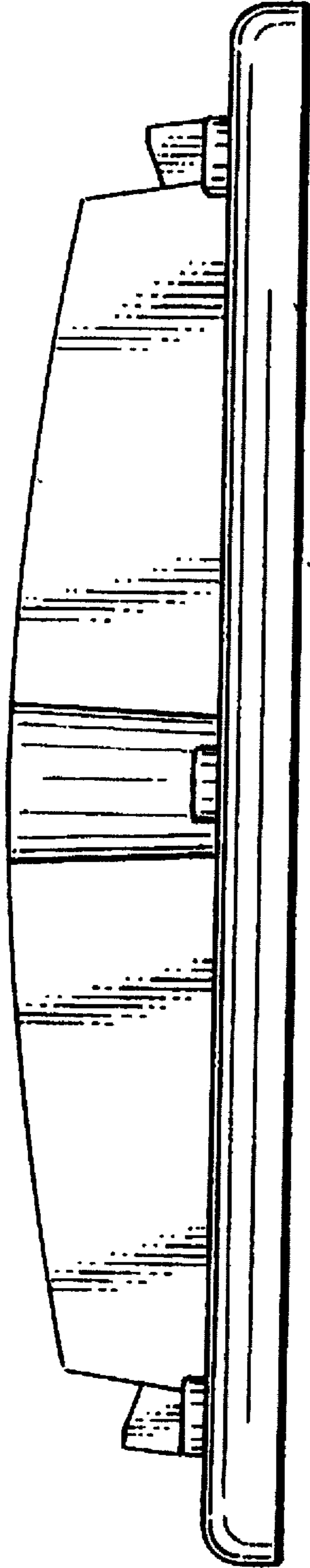


FIG. 8