



US00D387443S

**United States Patent** [19]  
**Blankenbiller**

[11] **Patent Number: Des. 387,443**  
[45] **Date of Patent: \*\*Dec. 9, 1997**

[54] **SNOW GUARD**

5,371,979 12/1994 Kwiatkowski et al. .... 52/24

[76] **Inventor: Randy A. Blankenbiller, 104 Skyline Dr., Reading, Pa. 19606**

*Primary Examiner*—Doris Clark  
*Attorney, Agent, or Firm*—H. Jay Spiegel

[\*\*] **Term: 14 Years**

[57] **CLAIM**

[21] **Appl. No.: 54,973**

The ornamental design for a snow guard, as shown and described.

[22] **Filed: May 28, 1996**

**DESCRIPTION**

[51] **LOC (6) Cl. .... 25-99**

[52] **U.S. Cl. .... D25/199**

[58] **Field of Search .... D25/199; 52/24**

FIG. 1 shows a perspective view of my claimed design;  
FIG. 2 shows a side view of my claimed design;  
FIG. 3 shows a view from the other side of my claimed design;  
FIG. 4 shows a rear view of my claimed design;  
FIG. 5 shows a front view of my claimed design;  
FIG. 6 shows a top view of my claimed design; and,  
FIG. 7 shows a bottom view of my claimed design.

[56] **References Cited**

**U.S. PATENT DOCUMENTS**

D. 27,515	8/1897	Gilman	.....	D25/199
D. 221,941	9/1971	Murphy	.....	D25/199
706,684	8/1902	Peter	.....	52/24
5,282,340	2/1994	Cline et al.	.....	52/24

**1 Claim, 2 Drawing Sheets**

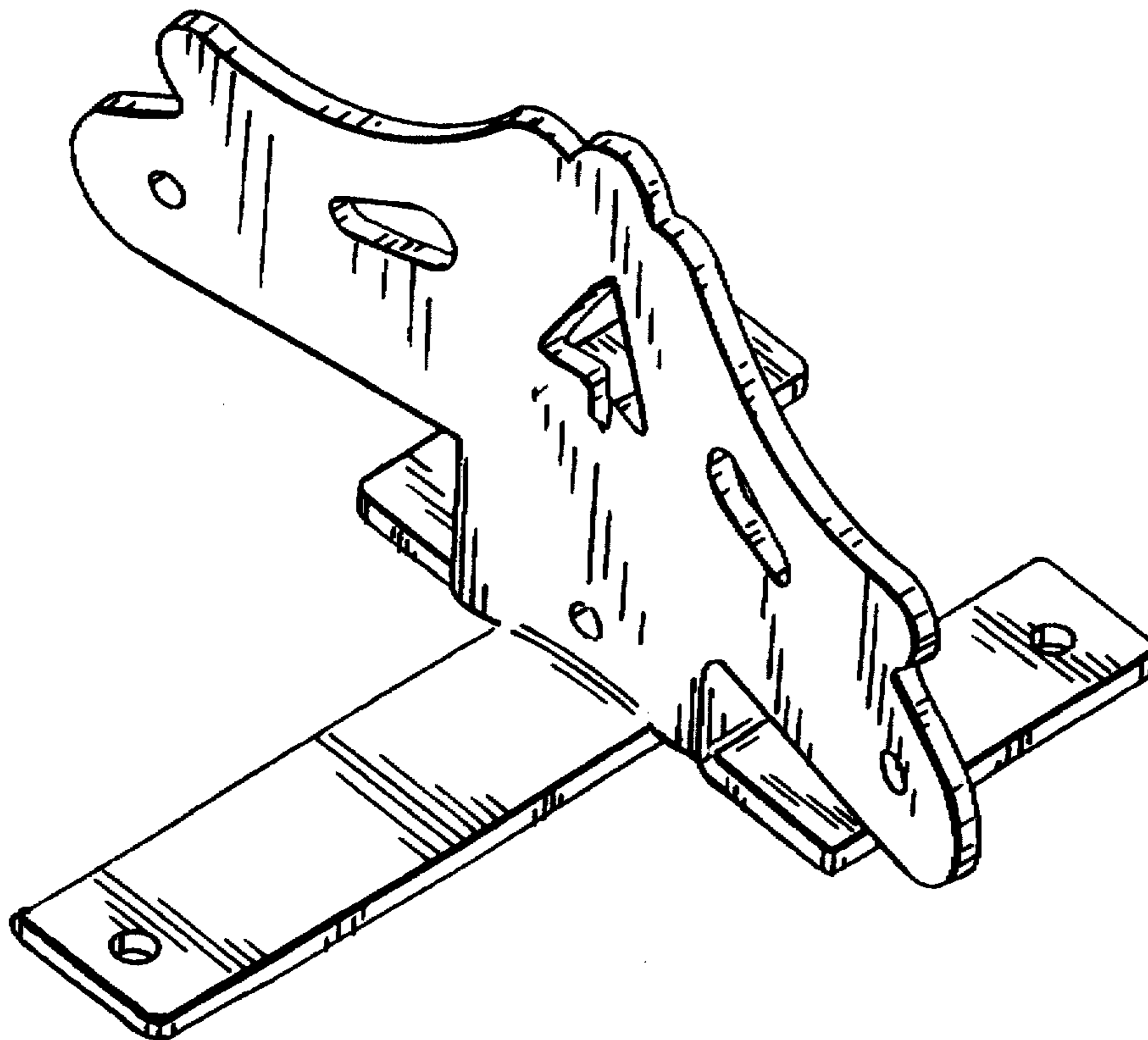


FIG. 1

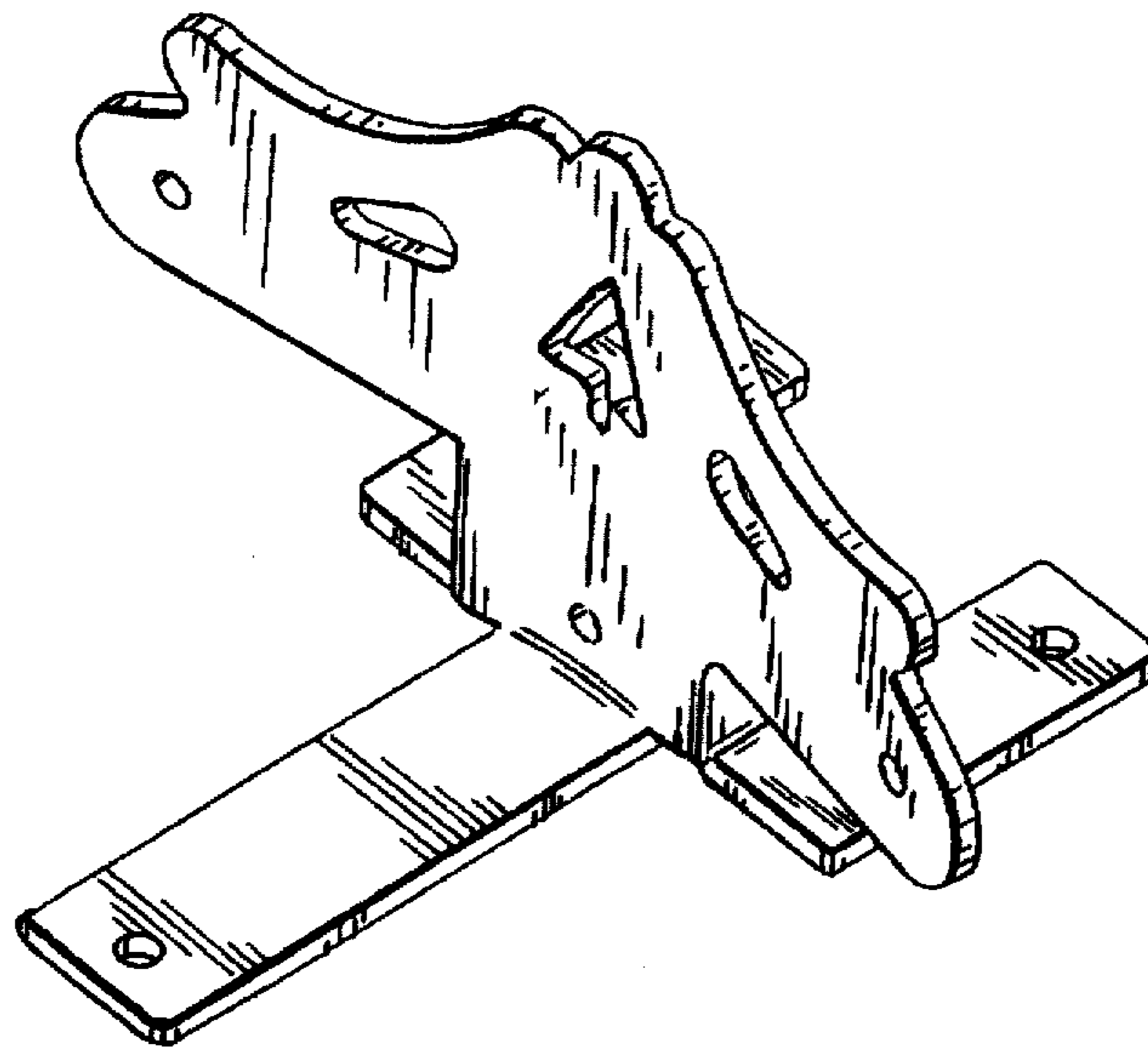


FIG. 2

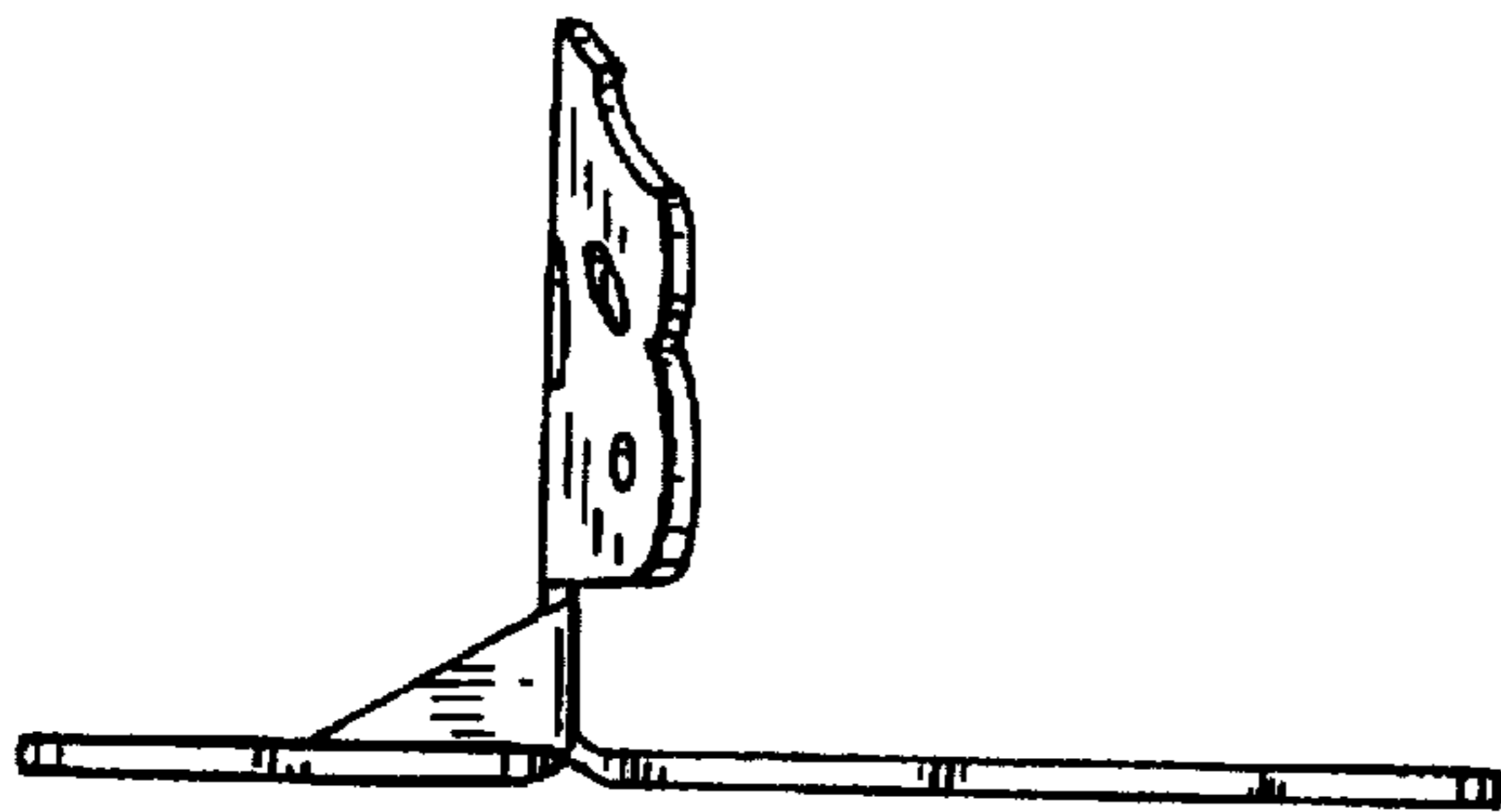


FIG. 3

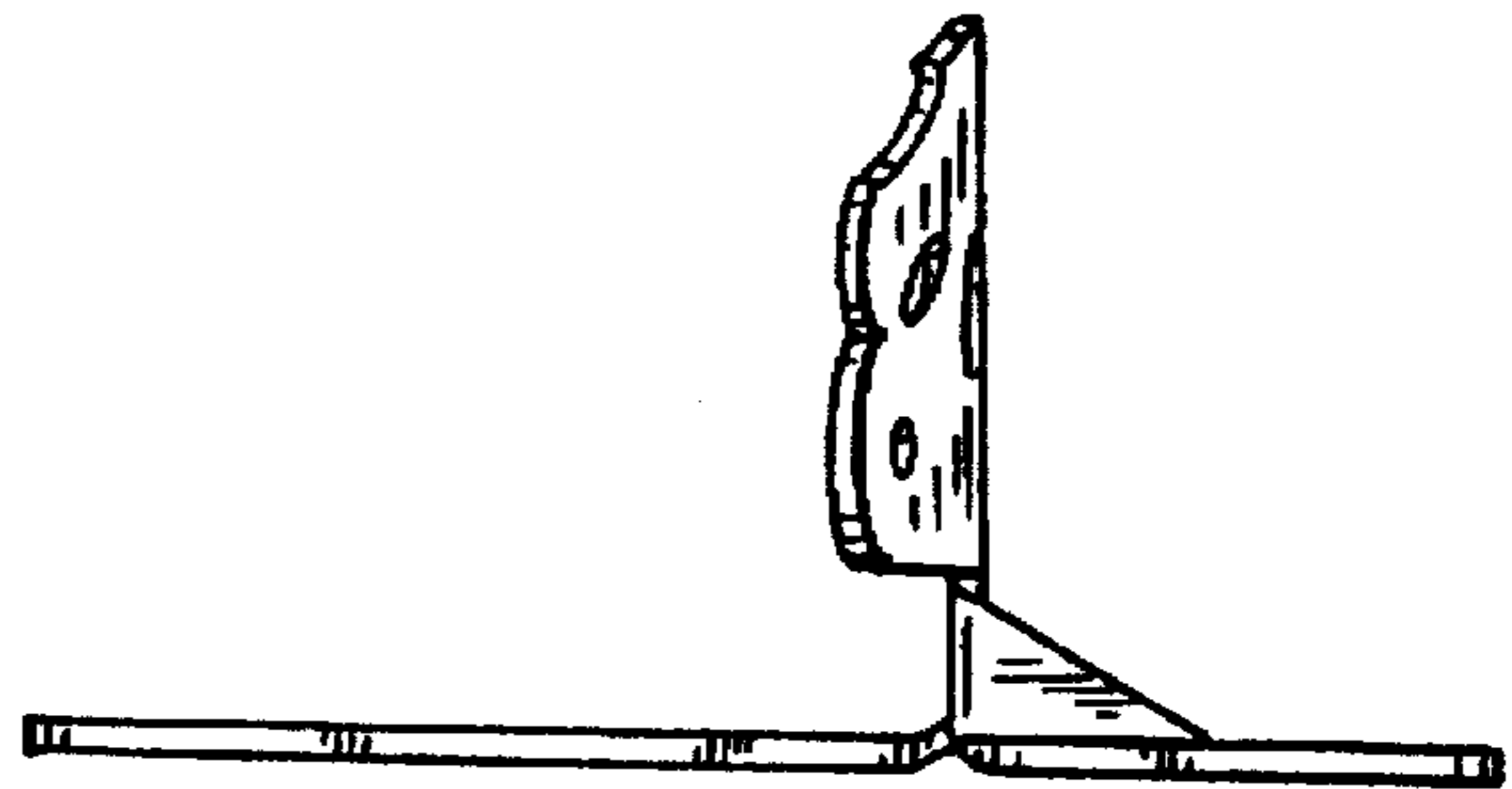


FIG. 4

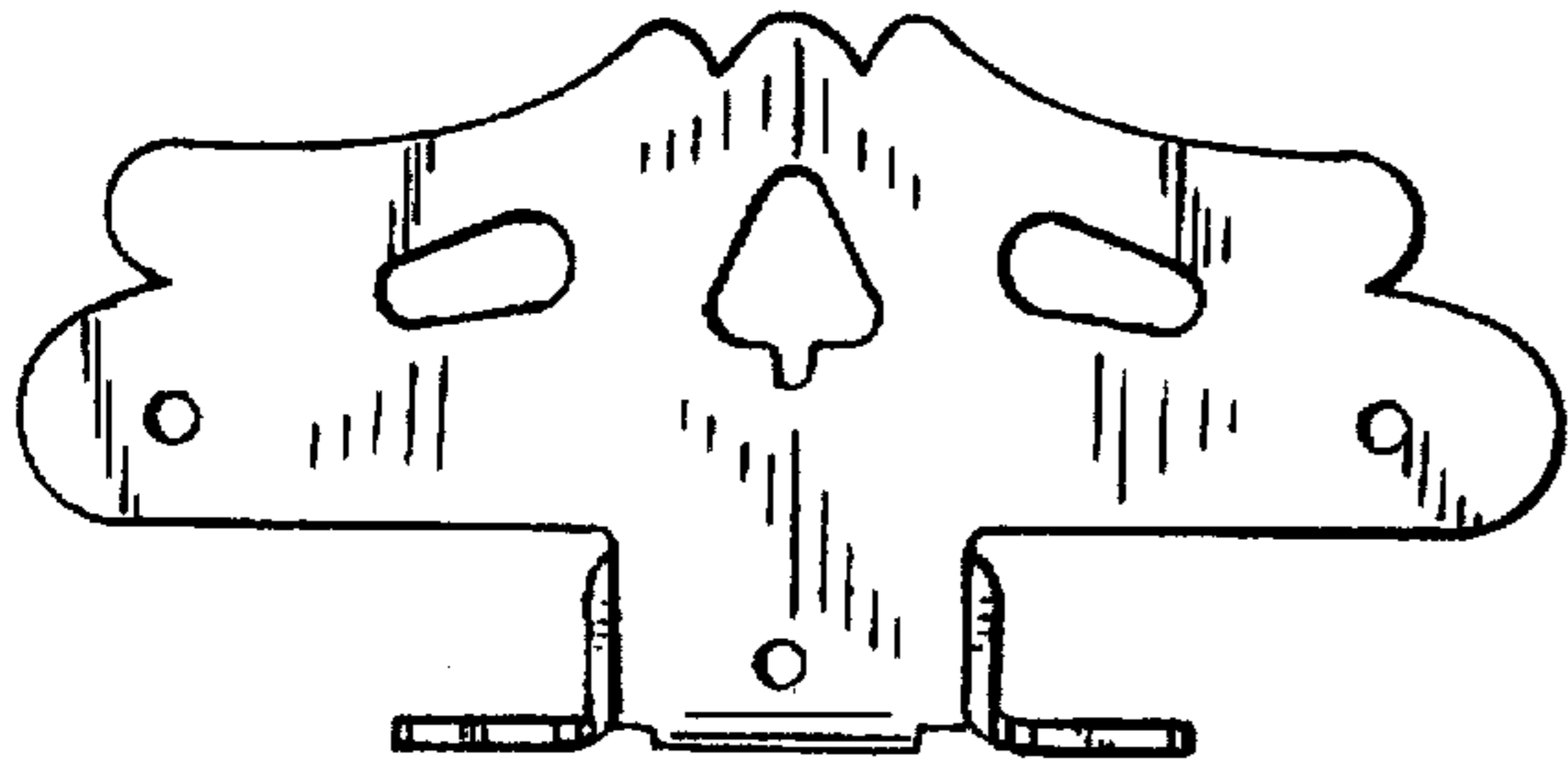


FIG. 5

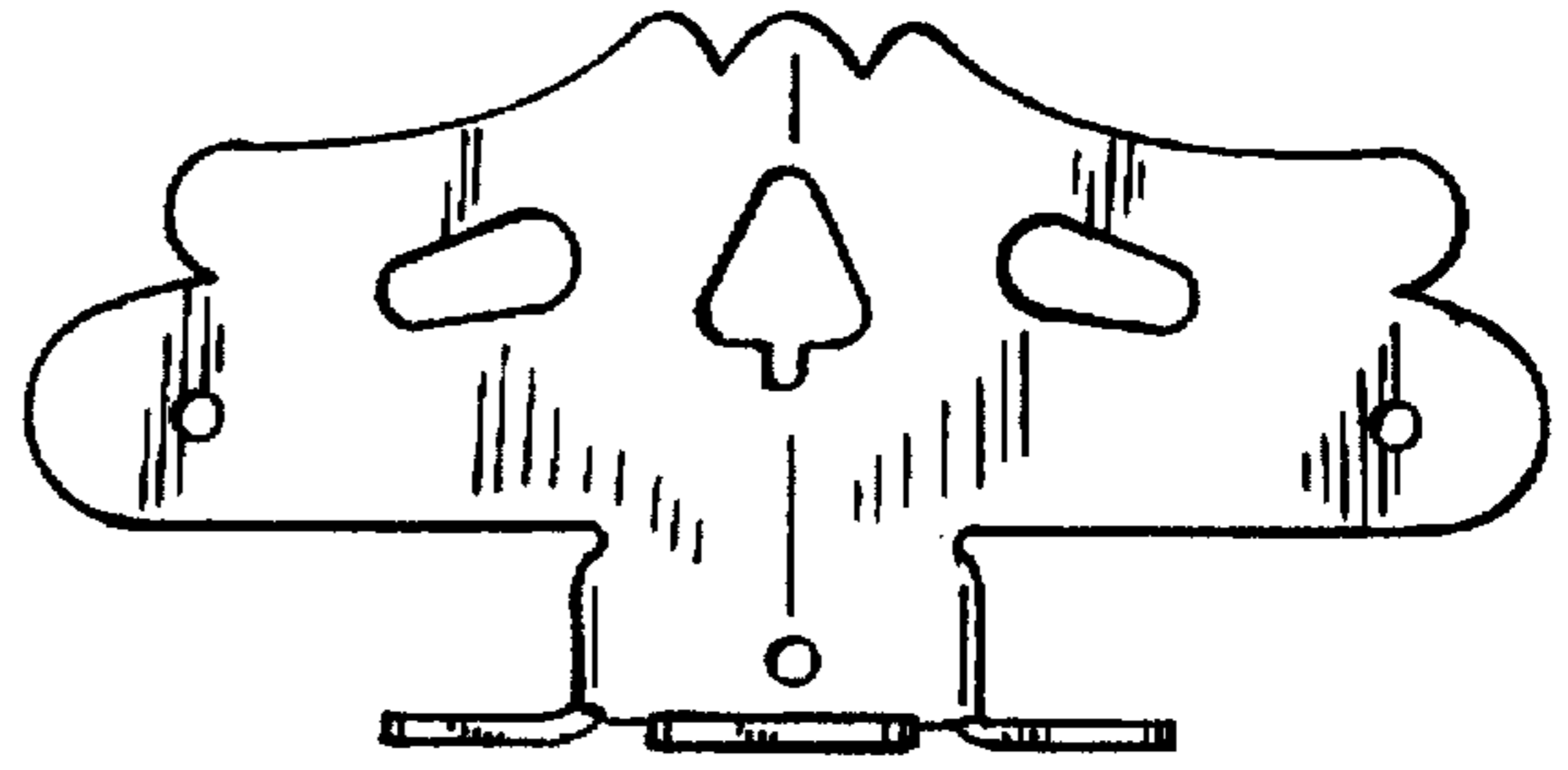


FIG. 6

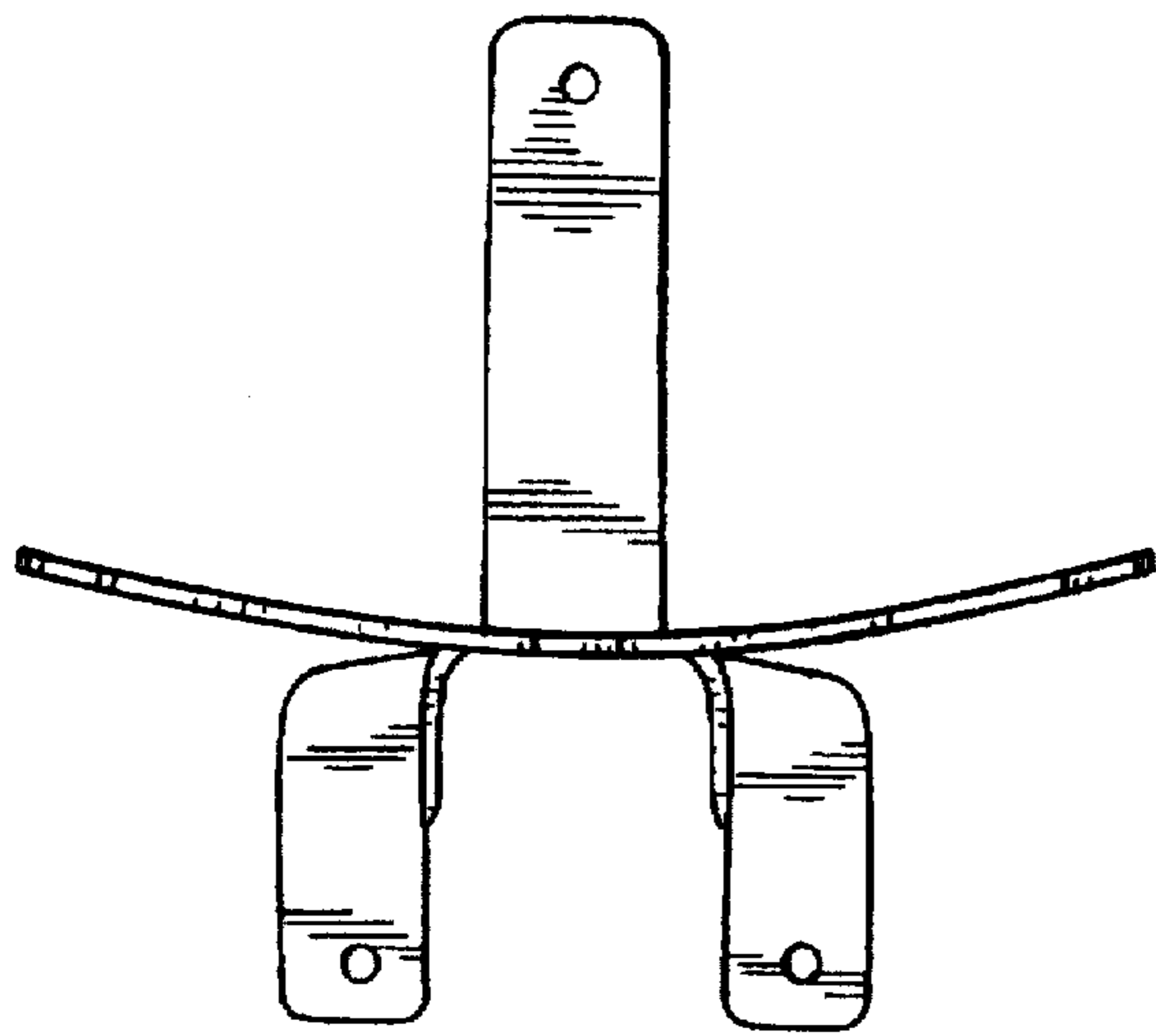


FIG. 7

