



US00D387442S

United States Patent [19] Toovey

[11] Patent Number: Des. 387,442

[45] Date of Patent: **Dec. 9, 1997

[54] **BUILDING ASSEMBLY FOR A CANOPY
FASCIA**

[75] Inventor: **Philip Toovey**, Banbury, United Kingdom

[73] Assignee: **Fina Europe**, Brussels, Belgium

[**] Term: **14 Years**

[21] Appl. No.: **48,734**

[22] Filed: **Jan. 12, 1996**

[30] **Foreign Application Priority Data**

Jul. 12, 1995 [WO] WIPO DM/033515

[51] LOC (6) CL **25-99**

[52] U.S. Cl. **D25/199**

[58] Field of Search D25/61; 52/78;
135/87, 101, 120-121; 160/19, 31, 38,
371

[56] **References Cited**

U.S. PATENT DOCUMENTS

2,949,649 8/1960 Macy et al. 52/78
3,744,195 7/1973 Ferkich D25/61

Primary Examiner—Doris Clark

Attorney, Agent, or Firm—Patterson, Beknap, Webb & Tyler LLP

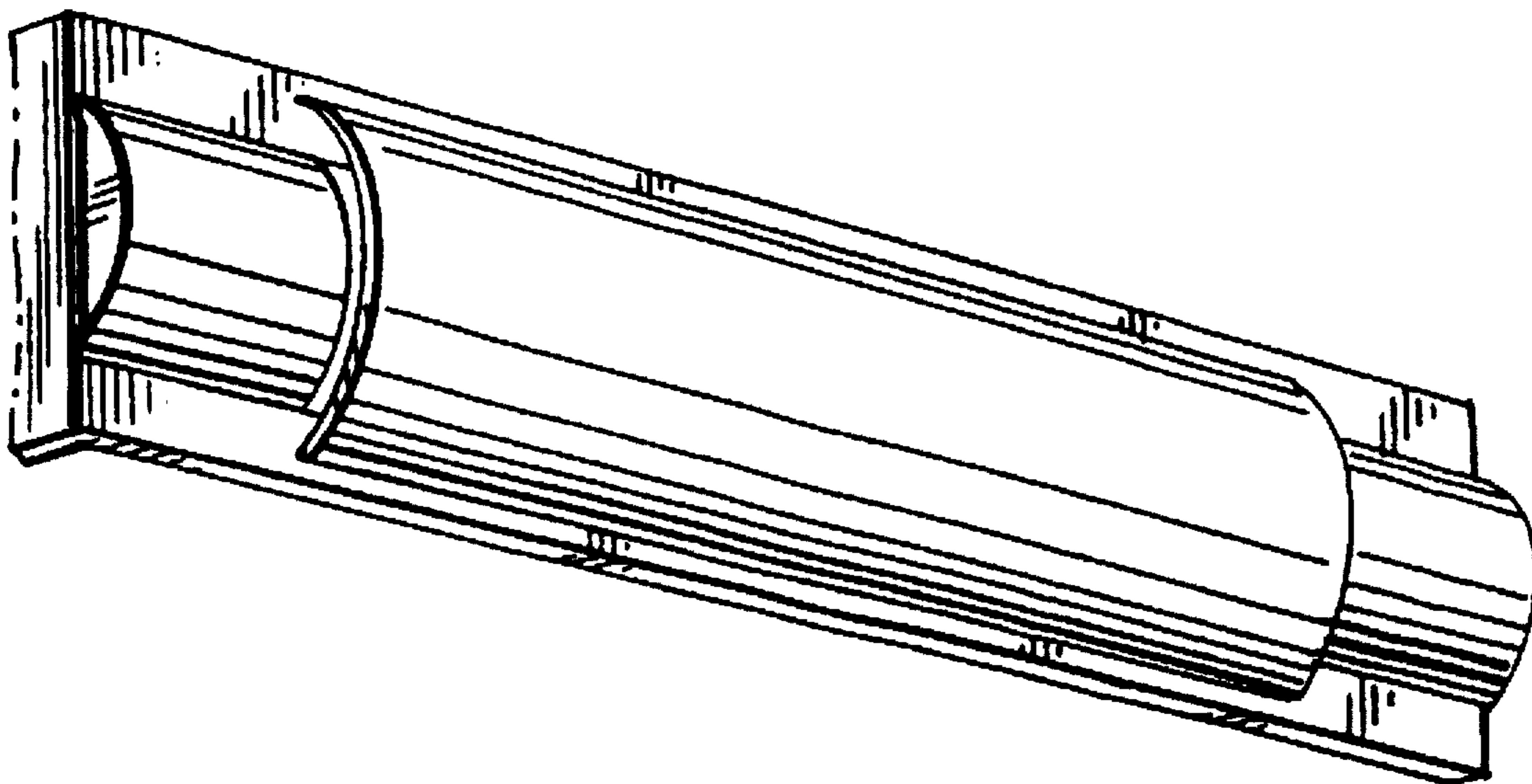
[57] **CLAIM**

The ornamental design for a building assembly for a canopy fascia, as shown.

DESCRIPTION

FIG. 1 is a perspective view of my design;
FIG. 2 is a top view of my design;
FIG. 3 is a side view of my design; and,
FIG. 4 is a front view of my design.

1 Claim, 1 Drawing Sheet



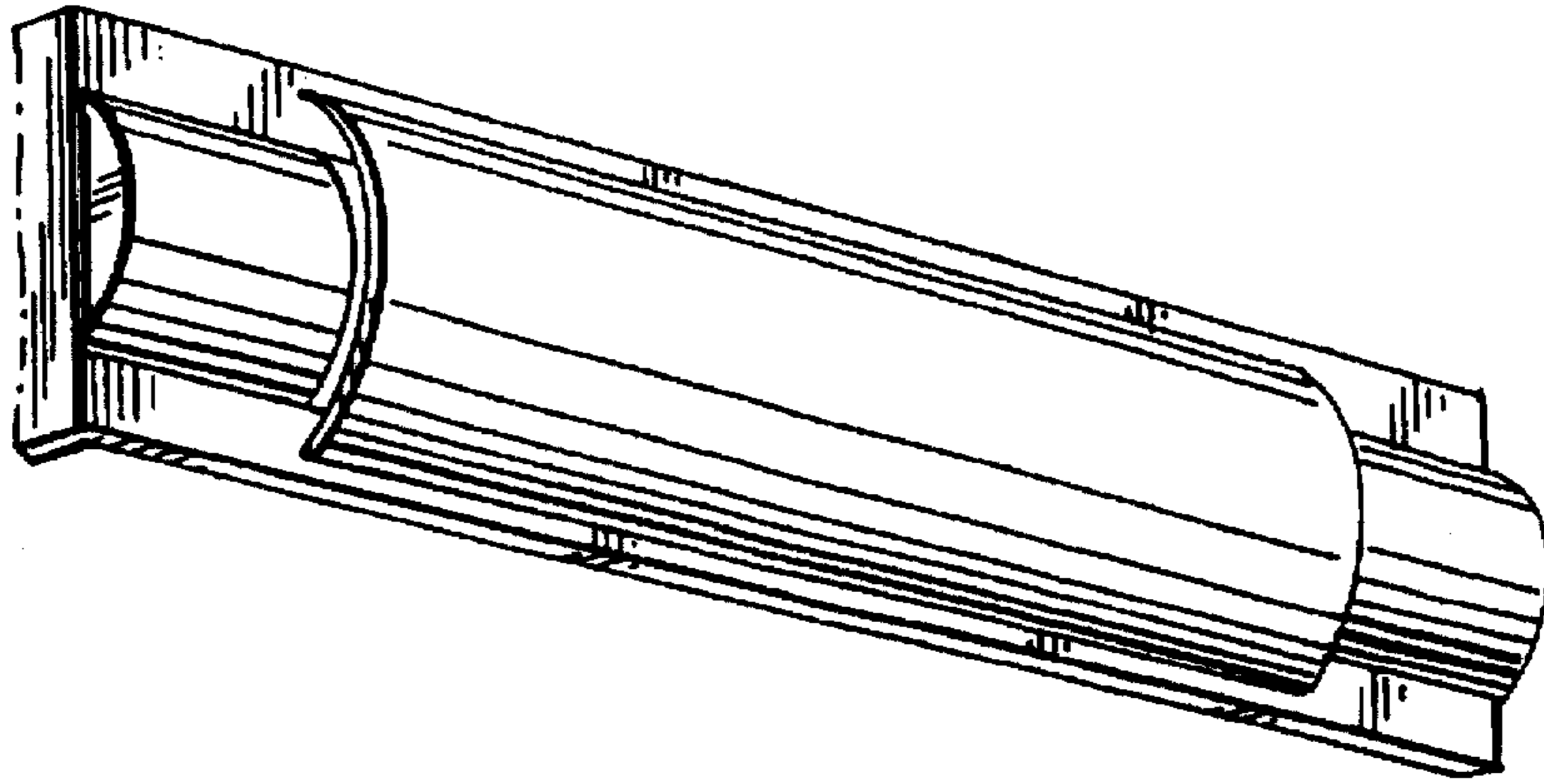


FIG. 1

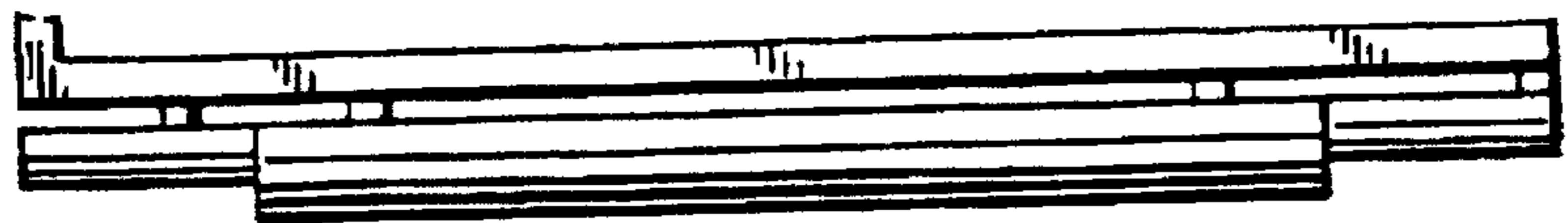


FIG. 2



FIG. 3

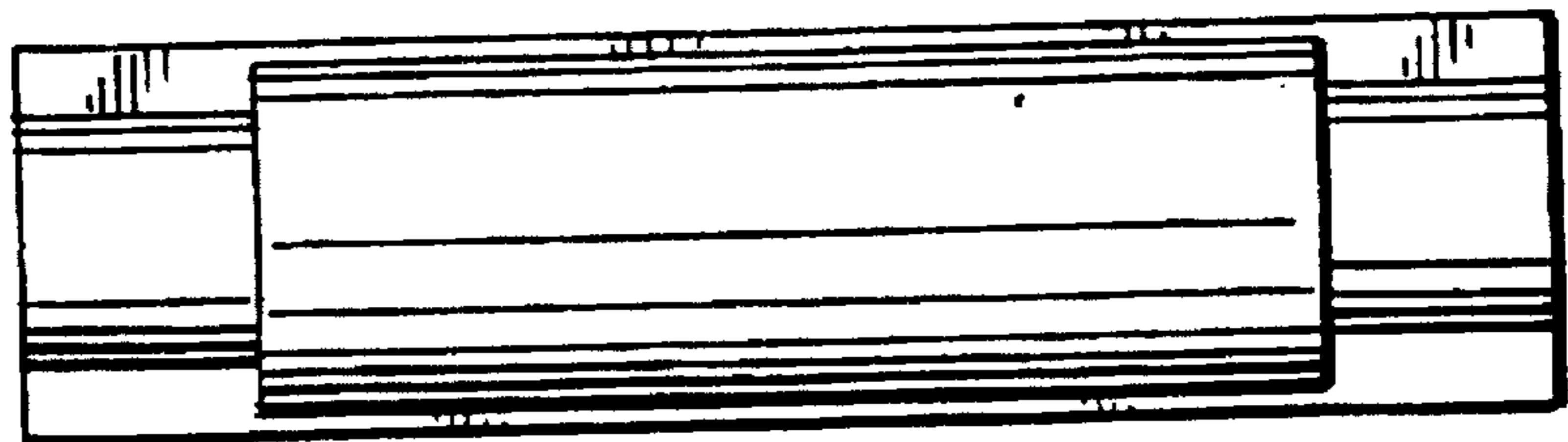


FIG. 4