



US00D387437S

United States Patent [19]

Heaton

[11] Patent Number: **Des. 387,437**

[45] Date of Patent: ****Dec. 9, 1997**

[54] **BASE PLATE FOR LIGHTING STANDARD**

5,029,054 7/1991 Trainor 362/153.1
5,068,773 11/1991 Toth 362/153.1

[76] Inventor: **Michael Heaton**, 2051 211th Ave. NE.,
Redmond, Wash. 98053

Primary Examiner—Doris Clark

[**] Term: **14 Years**

[57] CLAIM

[21] Appl. No.: **46,339**

The ornamental design for a base plate for lighting standard,
as shown.

[22] Filed: **Nov. 13, 1995**

DESCRIPTION

[51] LOC (6) Cl. **25-01**

[52] U.S. Cl. **D25/127; D25/134**

[58] Field of Search **D25/127, 134,
D25/126; 362/431, 153.1**

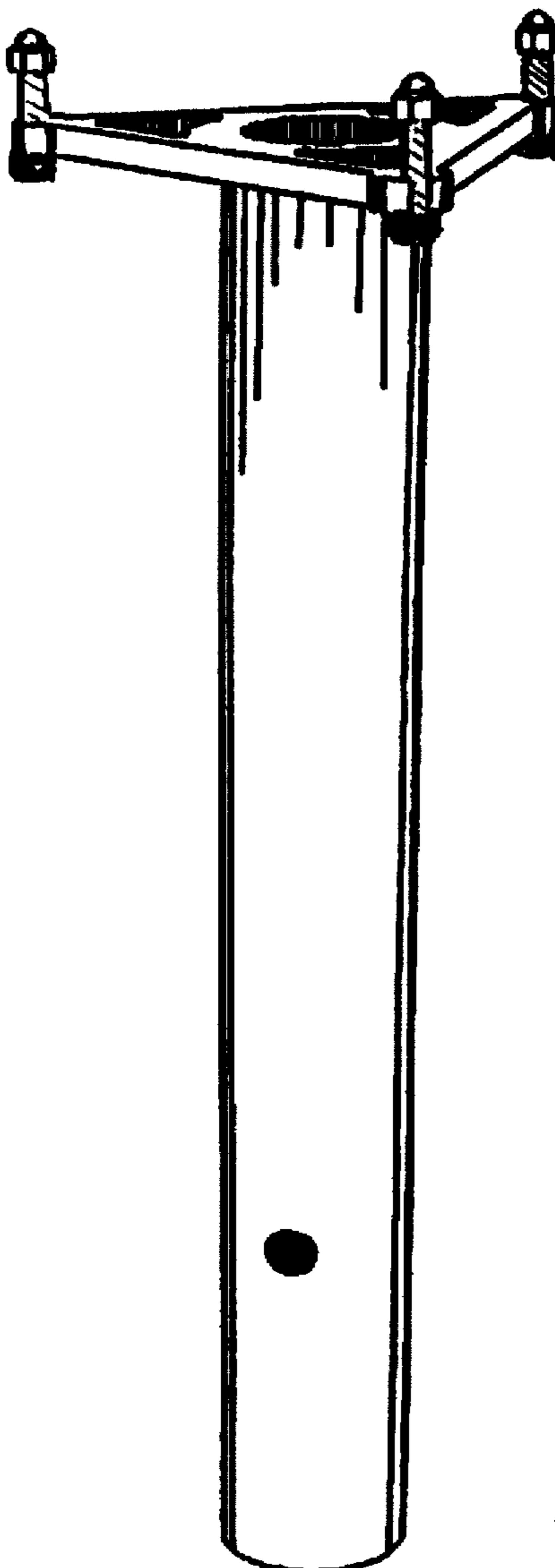
FIG. 1 is a perspective view thereof;
FIG. 2 is a side view in elevation thereof;
FIG. 3 is a top plan view thereof; and,
FIG. 4 is a bottom plan view thereof.

[56] References Cited

U.S. PATENT DOCUMENTS

D. 293,722 1/1988 Ewing et al. **D25/127**

1 Claim, 4 Drawing Sheets



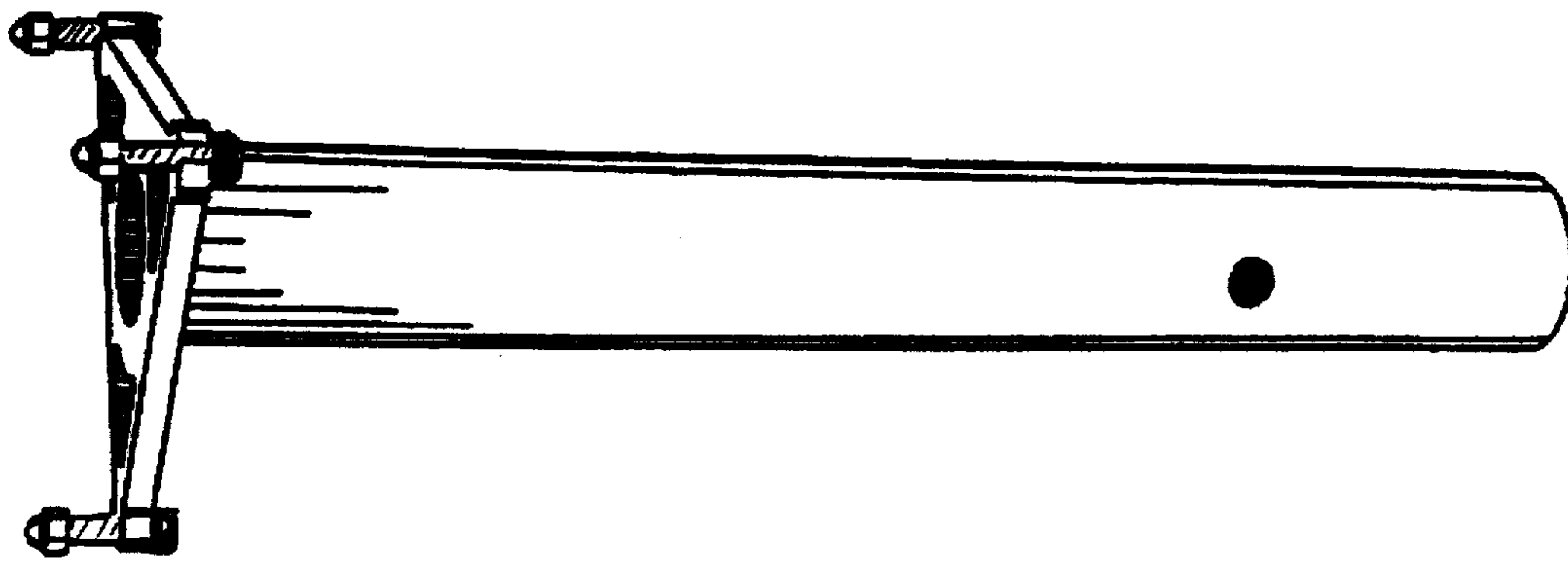


fig. 1

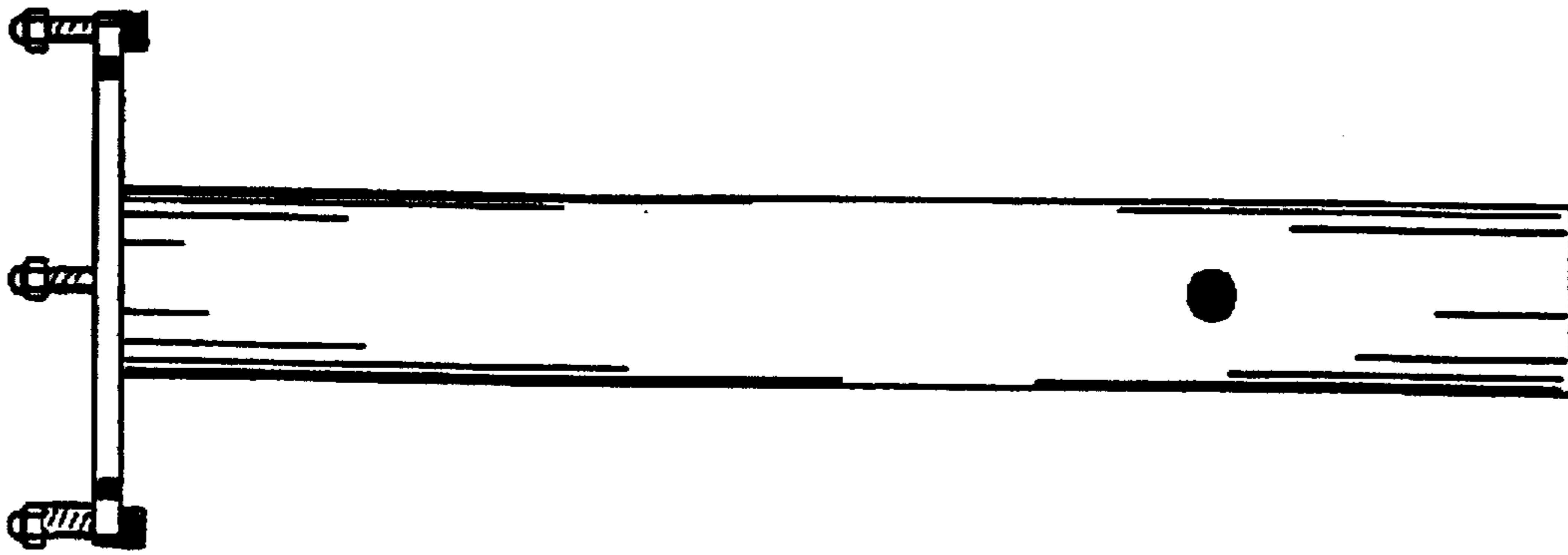


fig. 2

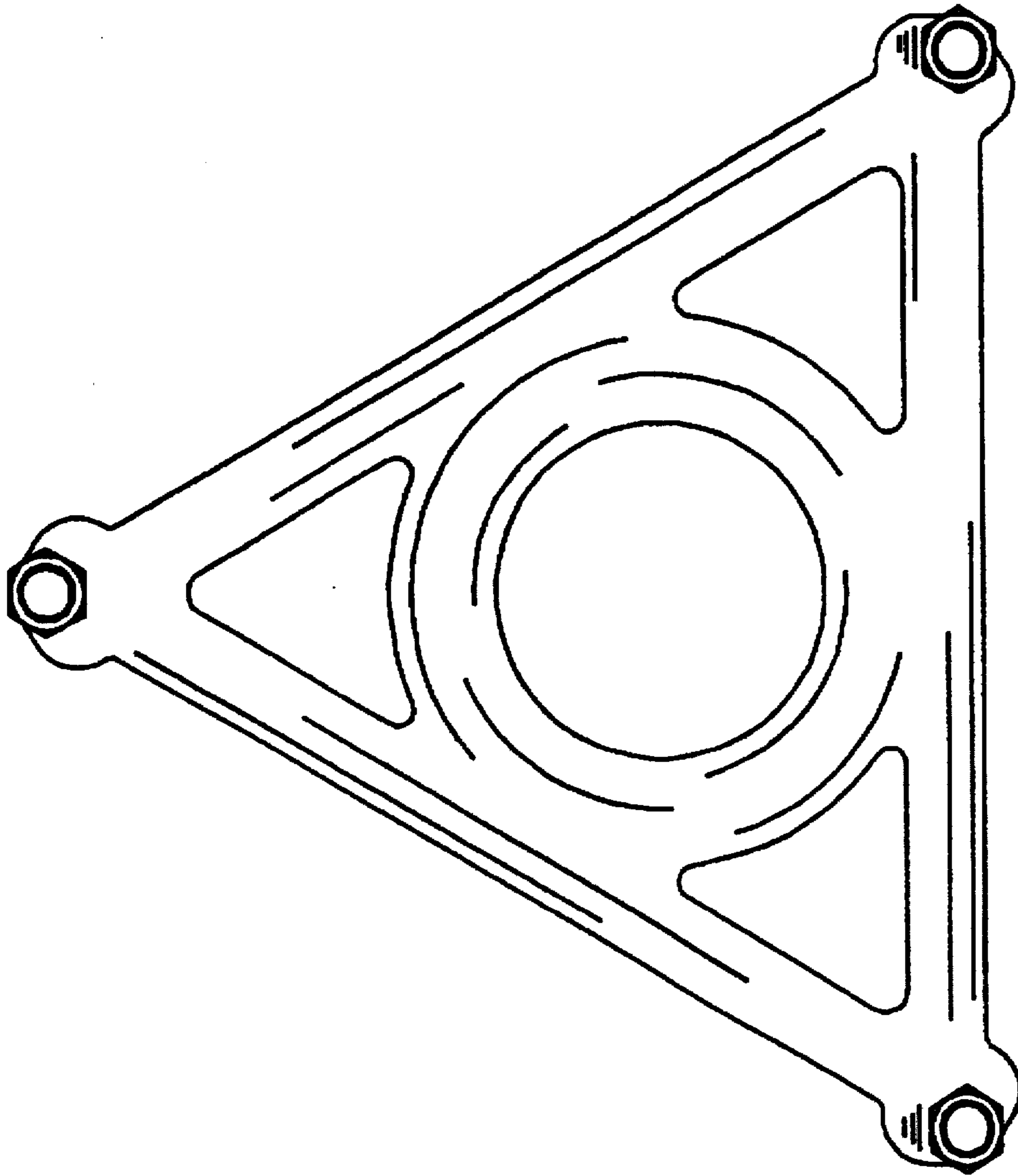


fig. 3

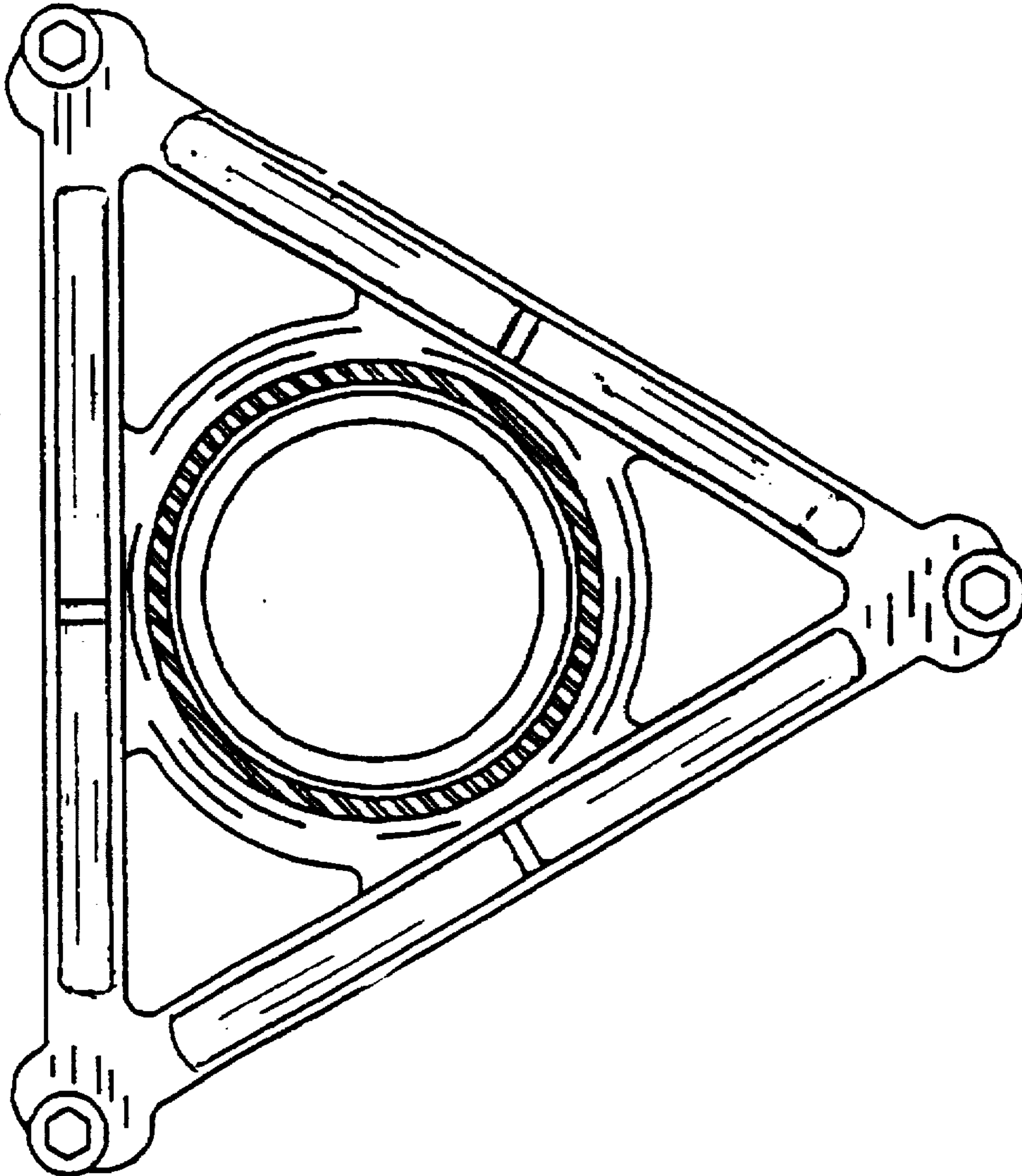


fig. 4