

US00D387434S

# United States Patent [19]

[11] Patent Number: Des. 387,434

Dawson

[45] Date of Patent: \*\*Dec. 9, 1997

[54] FRONT FACE OF A PLANTABLE  
RETAINING WALL BLOCK

5,108,232 4/1992 Strassil ..... D25/113  
5,161,918 11/1992 Hodel .

[75] Inventor: William B. Dawson, Maple Grove,  
Minn.

(List continued on next page.)

[73] Assignee: Keystone Retaining Wall Systems,  
Inc., Bloomington, Minn.

### FOREIGN PATENT DOCUMENTS

[\*\*] Term: 14 Years

322667 7/1989 European Pat. Off. .  
2561684 9/1985 France .  
0362110 9/1988 France .  
2613396 10/1988 France .  
2622226 4/1989 France .  
3809549 10/1989 Germany .  
0569323 11/1993 Germany .  
325123 2/1991 Japan .  
6116973 4/1994 Japan .  
2151287 7/1985 United Kingdom .  
9408097 4/1994 WIPO .  
9417253 8/1994 WIPO .

[21] Appl. No.: 48,550

[22] Filed: Jan. 3, 1996

### Related U.S. Application Data

[63] Continuation-in-part of Ser. No. 475,199, Jun. 7, 1995.

[51] LOC (6) Cl. .... 25-01

[52] U.S. Cl. .... D25/118

[58] Field of Search ..... D25/103, 113-118;  
D21/108; 52/592.1, 592.4, 592.6, 604

Primary Examiner—Raphael Barkai  
Attorney, Agent, or Firm—Popovich & Wiles, P.A.

### [57] CLAIM

The ornamental design for a front face of a plantable retaining wall block, as shown and described.

### [56] References Cited

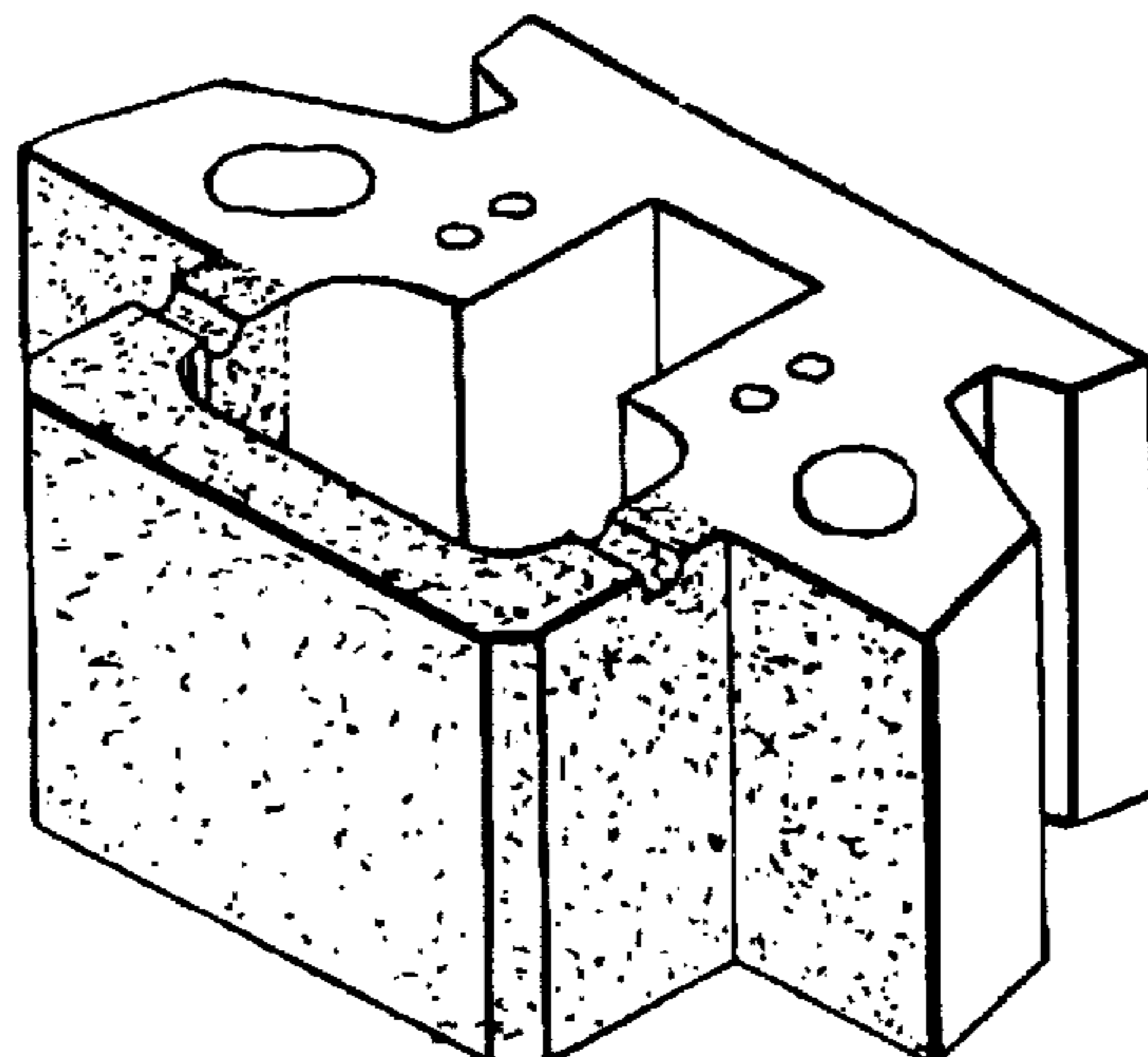
### DESCRIPTION

#### U.S. PATENT DOCUMENTS

D. 184,747 3/1959 Livesay, Jr. .  
D. 210,876 4/1968 Kocher .  
D. 244,201 5/1977 Muse .  
D. 250,484 12/1978 Muse .  
D. 343,461 1/1994 Powell .  
D. 363,786 10/1995 Sowders ..... D25/116  
D. 372,107 7/1996 Dunlap et al. .... D25/113  
2,513,711 7/1950 Cain .  
2,514,536 7/1950 Burney .  
3,389,499 6/1968 Haile .  
4,229,123 10/1980 Heinzmann .  
4,379,659 4/1983 Steiner .  
4,521,138 6/1985 Steiner .  
4,658,541 4/1987 Haile .  
4,671,706 6/1987 Giardini .  
4,711,606 12/1987 Leling et al. .  
4,884,920 12/1989 Perazzi .  
4,920,712 5/1990 Dean, Jr. .  
4,964,761 10/1990 Rossi .  
5,044,834 9/1991 Janopaul, Jr. .  
5,072,566 12/1991 Zeidman .  
5,108,231 4/1992 Rausch .

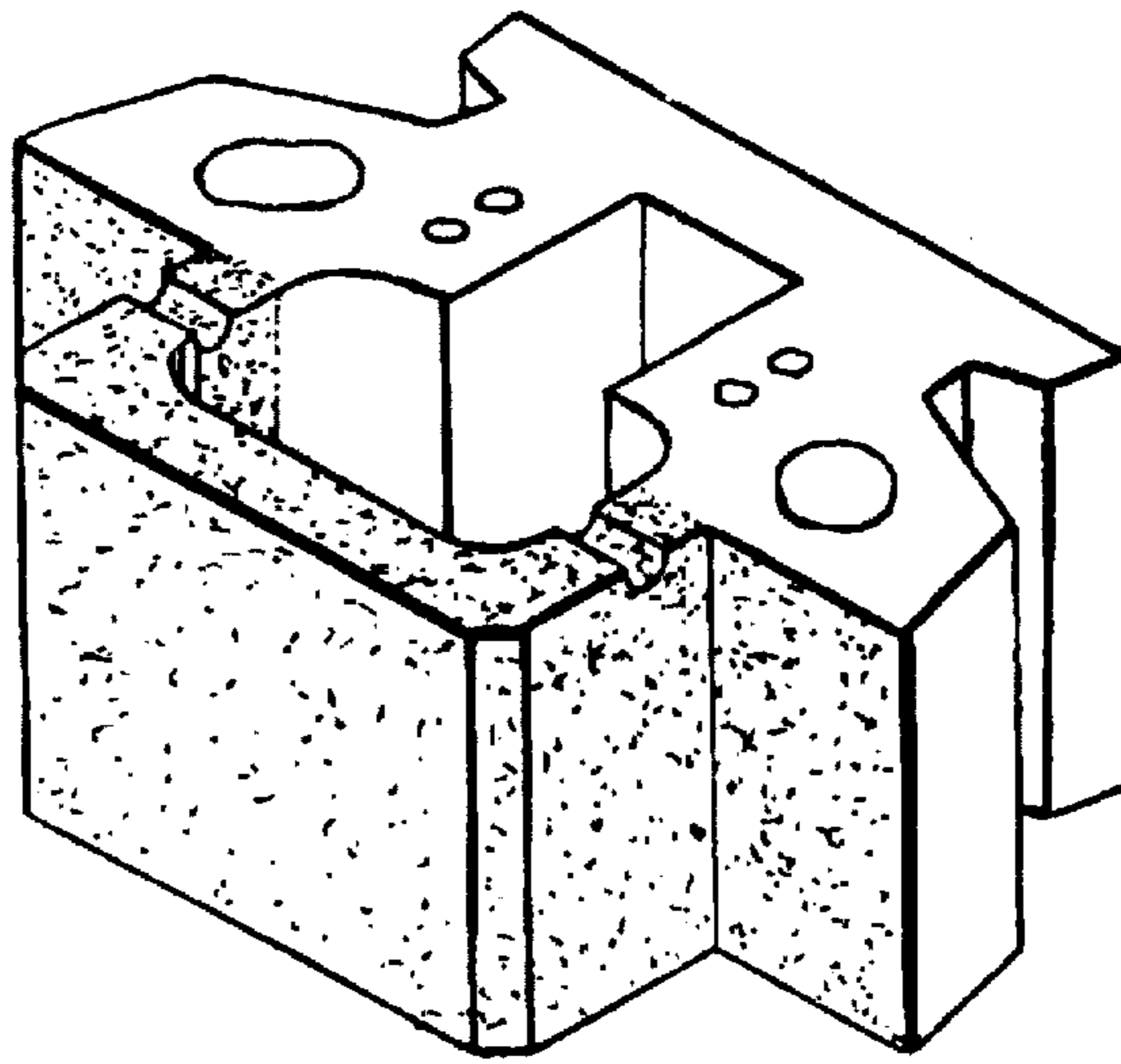
FIG. 1 is a top perspective view of a front face of a plantable retaining wall block showing my new design;  
FIG. 2 is a top plan view of FIG. 1;  
FIG. 3 is a bottom plan view of FIG. 1;  
FIG. 4 is a front elevational view of FIG. 1;  
FIG. 5 is a rear elevational view of FIG. 1;  
FIG. 6 is a left end elevational view of FIG. 1, the right end elevational view being identical;  
FIG. 7 is a perspective view of a section of a retaining wall constructed with the plantable wall block of FIG. 1;  
FIG. 8 is a top plan view of FIG. 7;  
FIG. 9 is a bottom plan view of FIG. 8;  
FIG. 10 is a front elevational view of FIG. 8;  
FIG. 11 is a rear elevational view of FIG. 8; and,  
FIG. 12 is left end elevational view of FIG. 8, the right end elevational view being identical.  
The broken lines in the drawings illustrate embodiments of the structural environment of plantable retaining wall blocks that include the front face of the design and are not a part of the design sought to be patented.

1 Claim, 6 Drawing Sheets

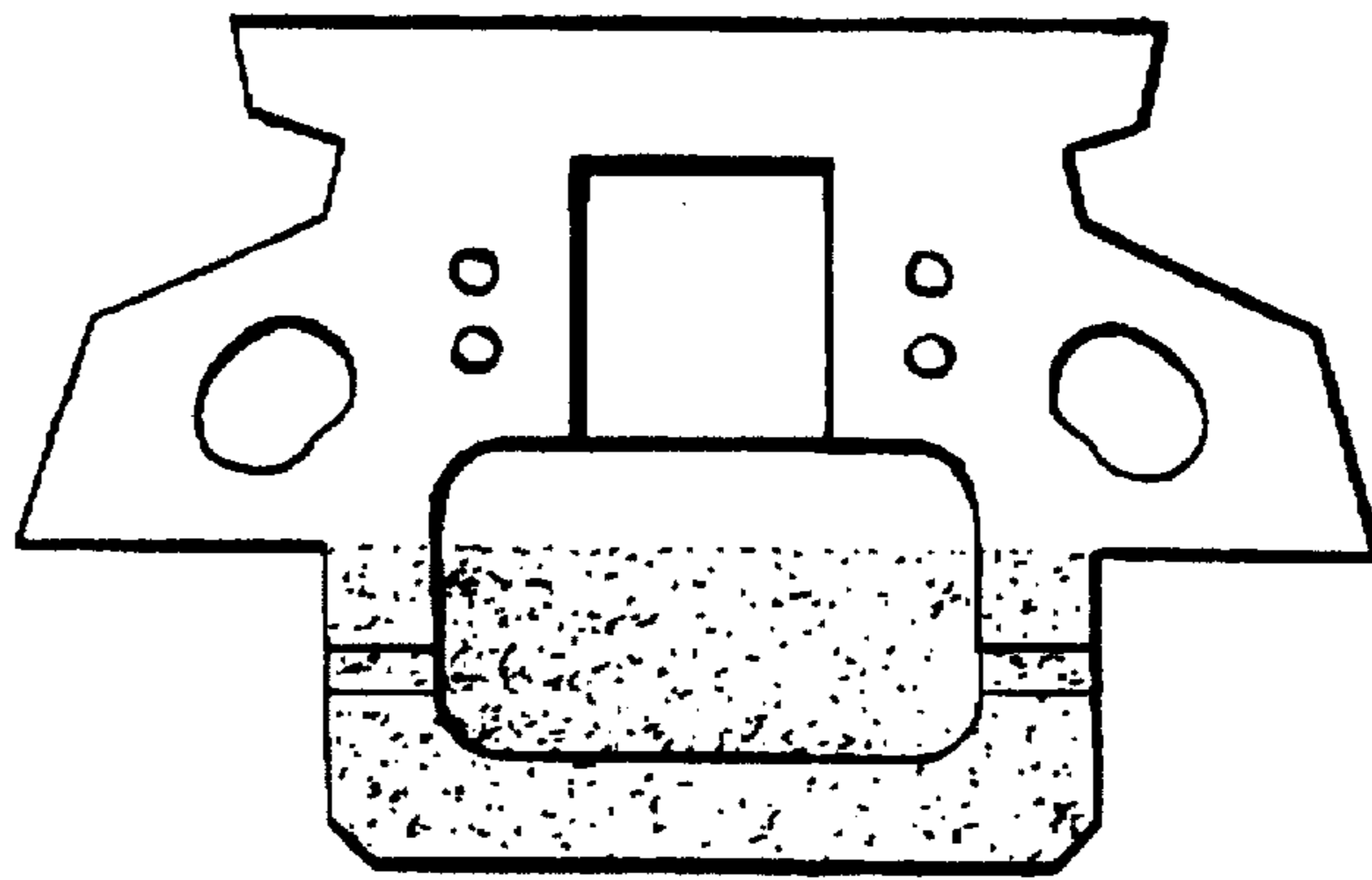


U.S. PATENT DOCUMENTS

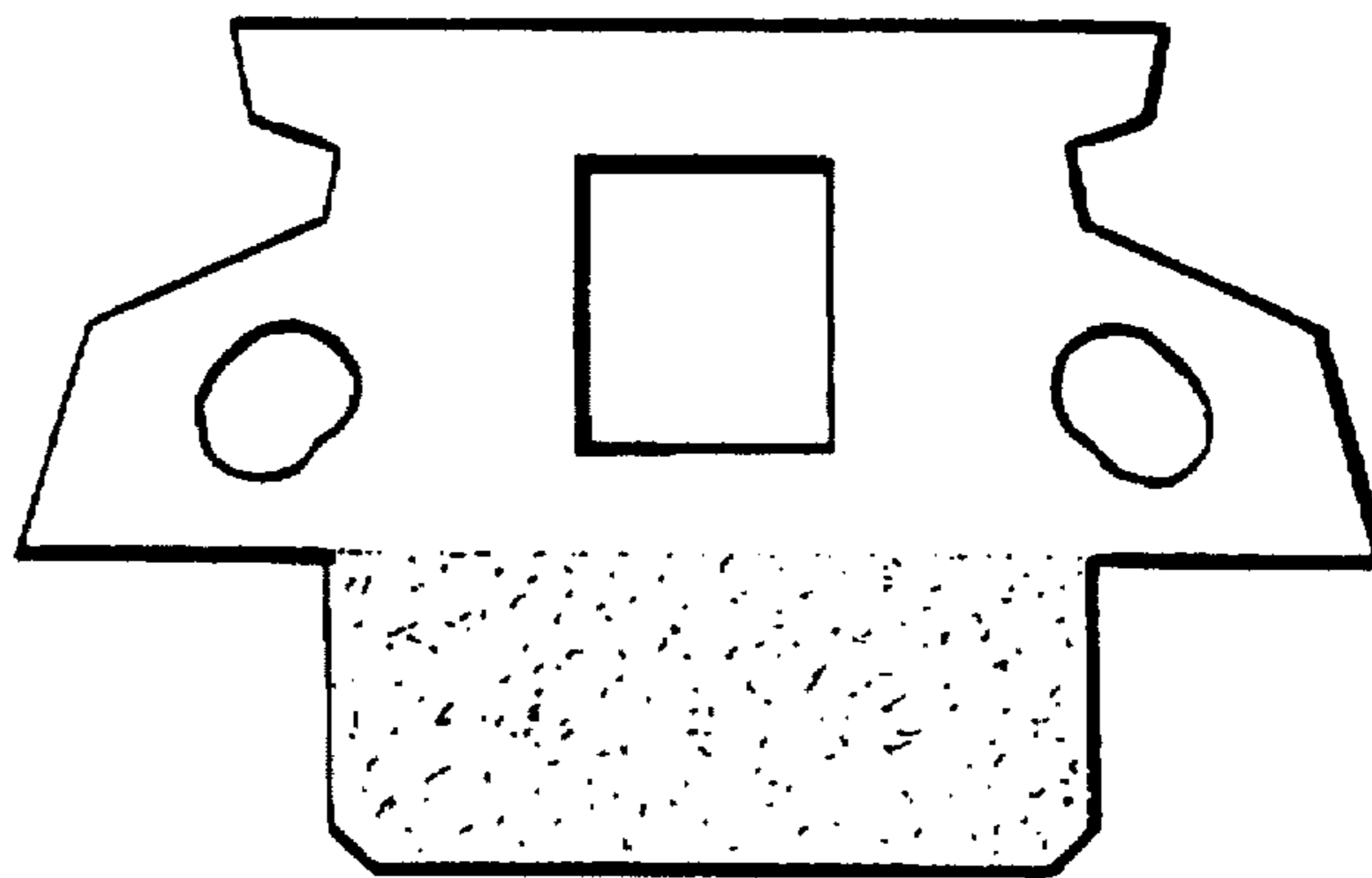
|           |         |                  |           |         |                    |         |
|-----------|---------|------------------|-----------|---------|--------------------|---------|
| 5,177,925 | 1/1993  | Winkler et al. . | 5,337,527 | 8/1994  | Wagenaar .....     | 52/604  |
| 5,214,898 | 6/1993  | Beretta .        | 5,353,569 | 10/1994 | Rodrique .....     | 52/604  |
| 5,257,880 | 11/1993 | Janopaul, Jr. .  | 5,361,557 | 11/1994 | Snyder et al. .... | 52/604  |
|           |         |                  | 5,465,544 | 11/1995 | Ghahary .....      | D25/113 |



**FIG. 1**



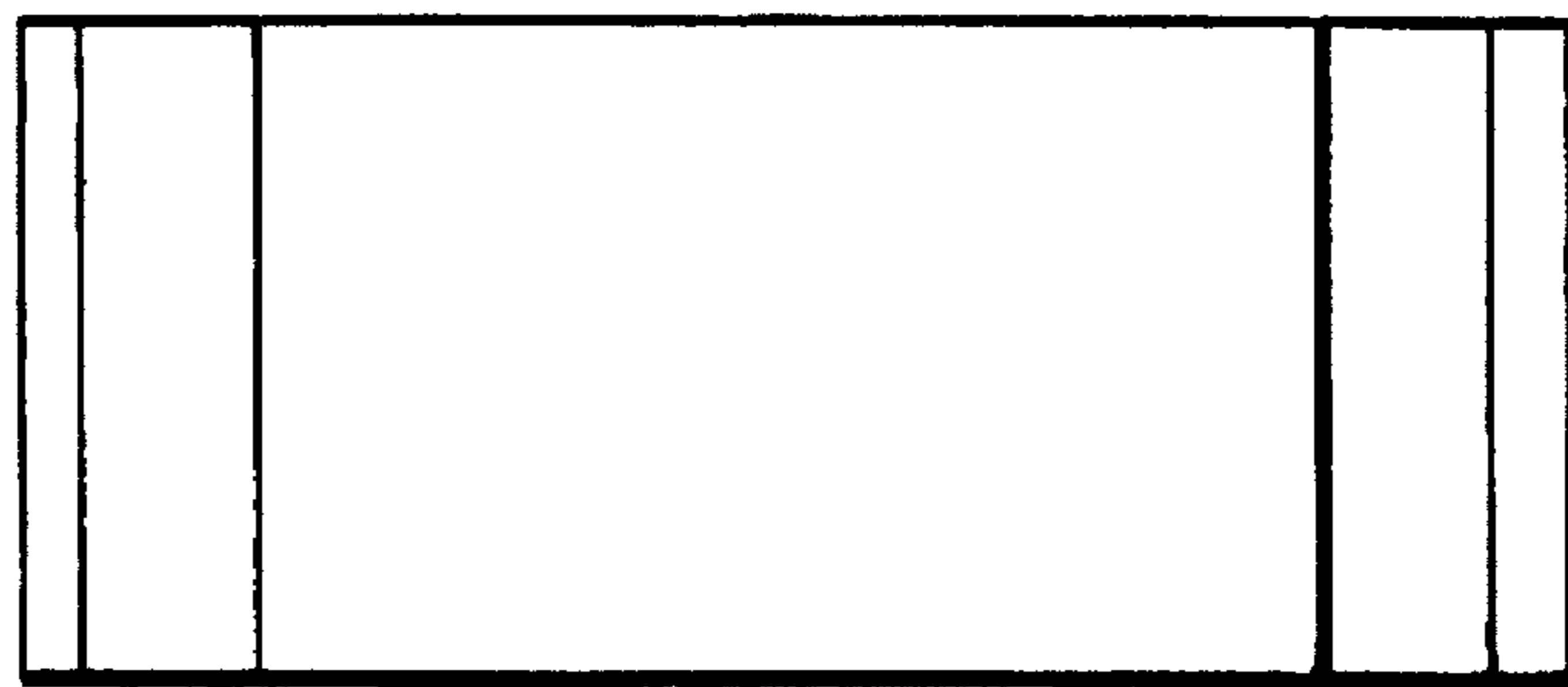
**FIG. 2**



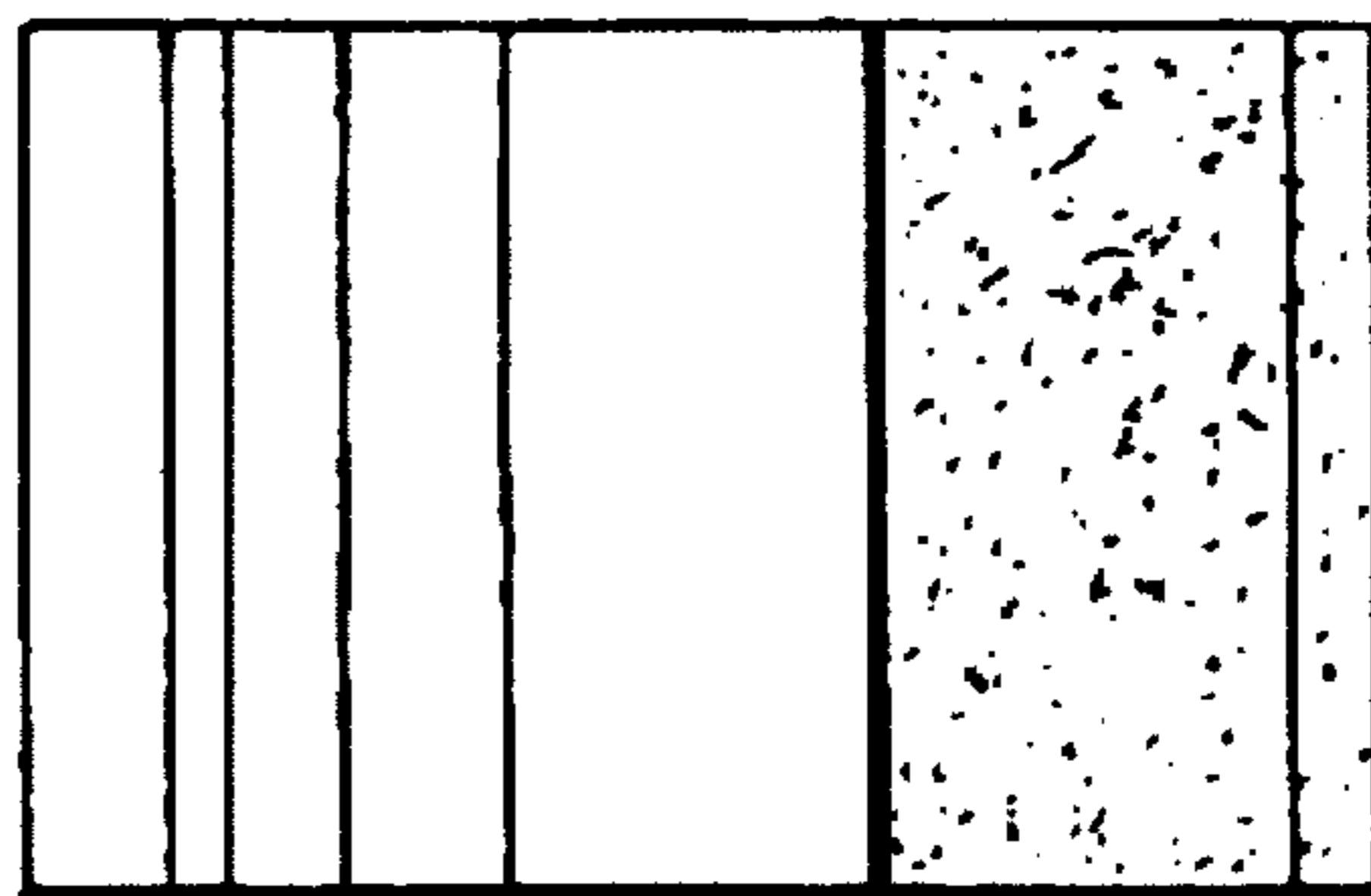
**FIG. 3**



**FIG. 4**



**FIG. 5**



**FIG. 6**

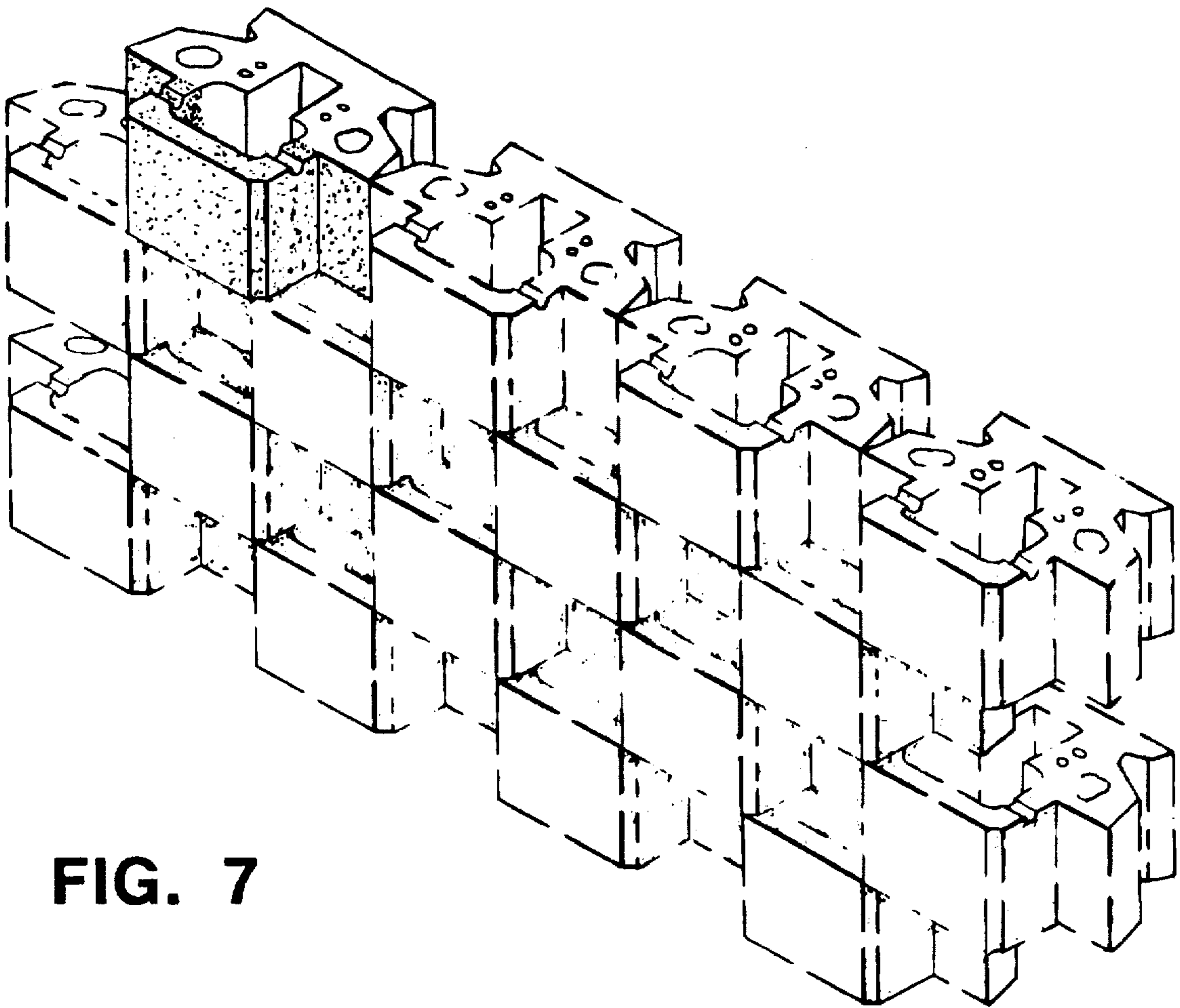


FIG. 7

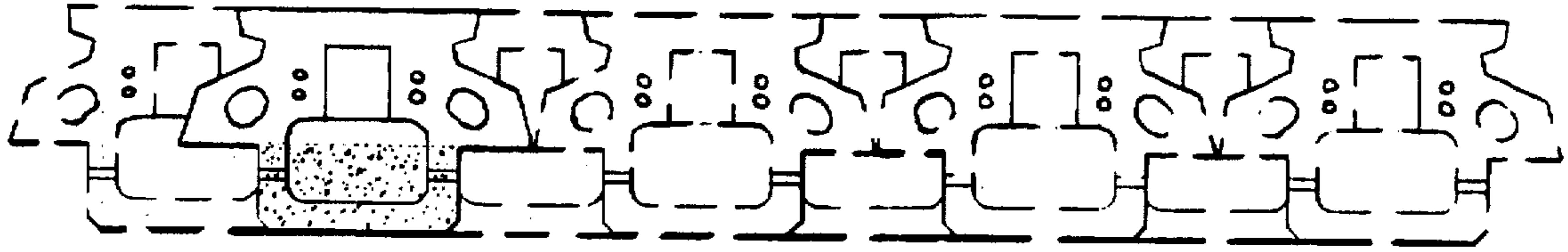


FIG. 8

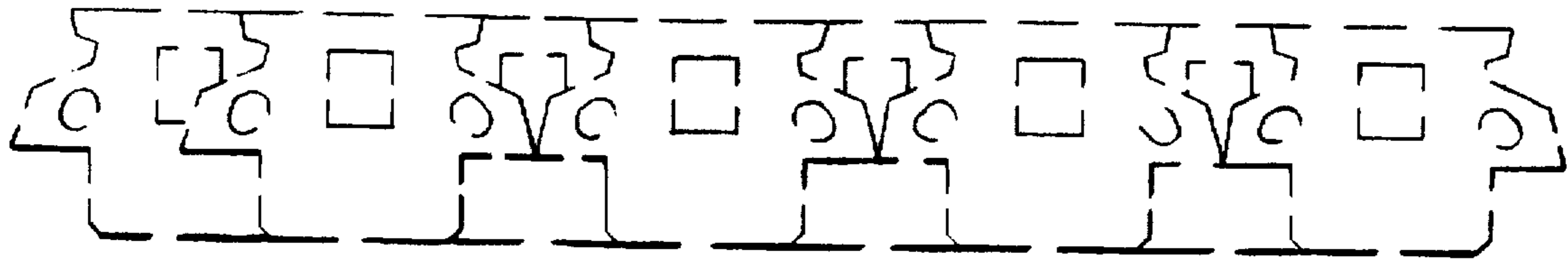
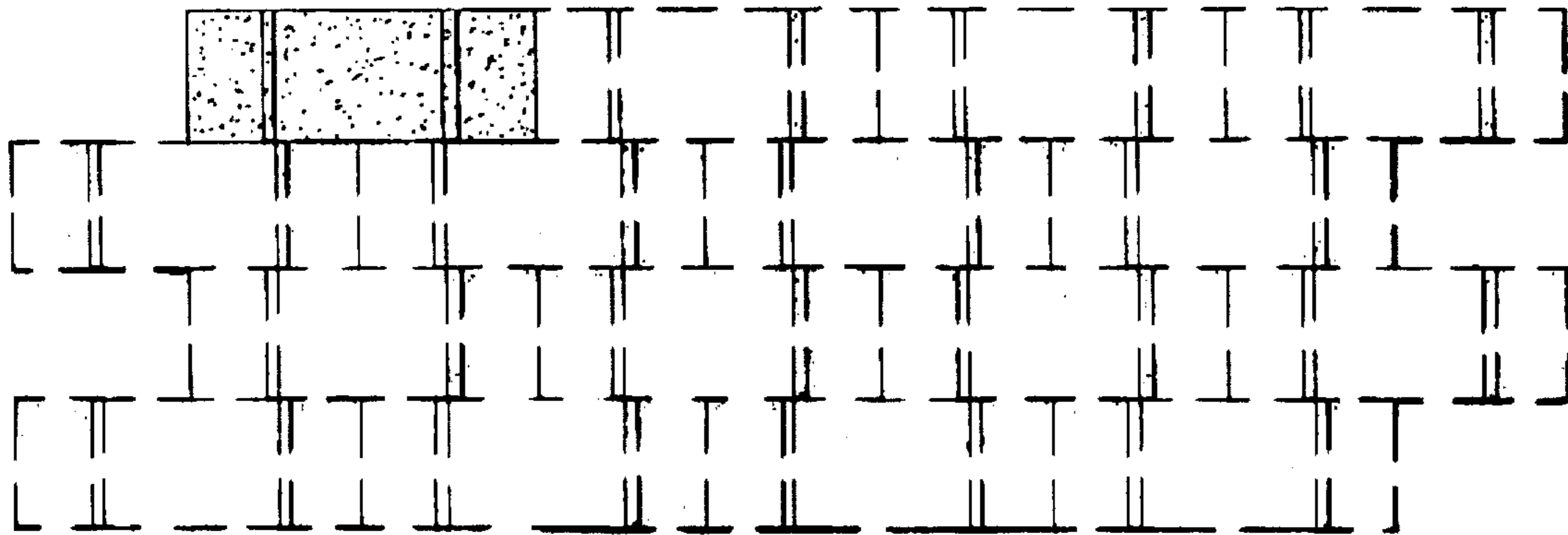
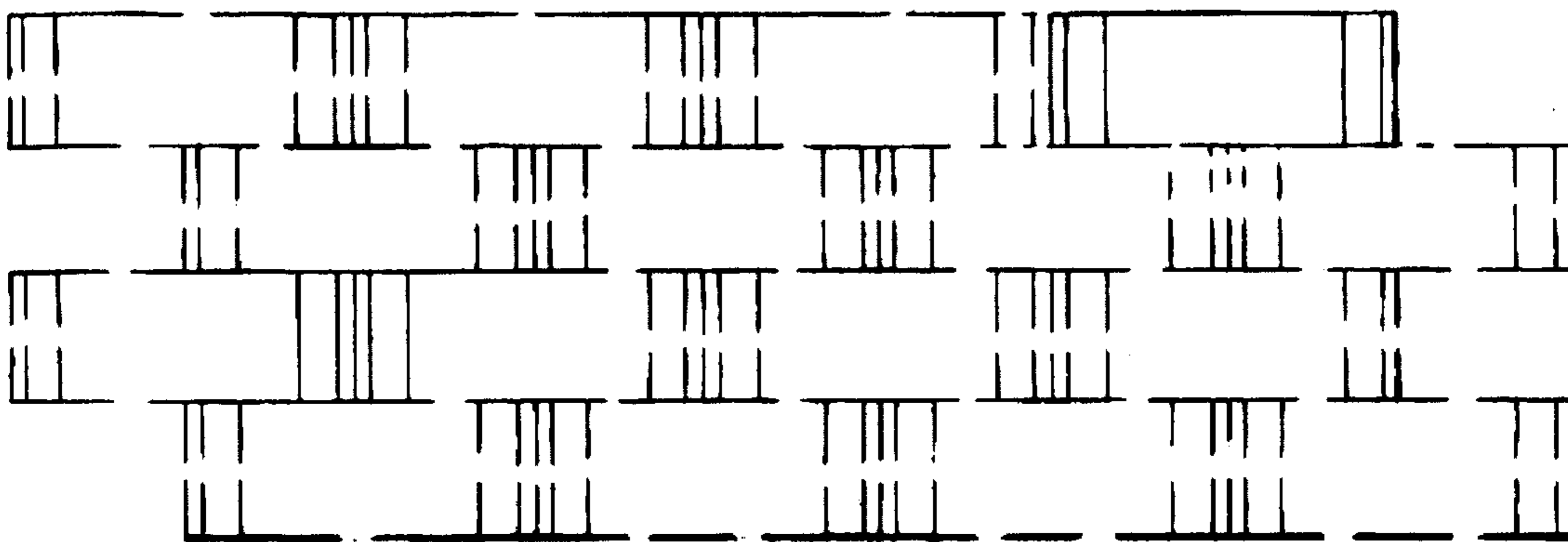


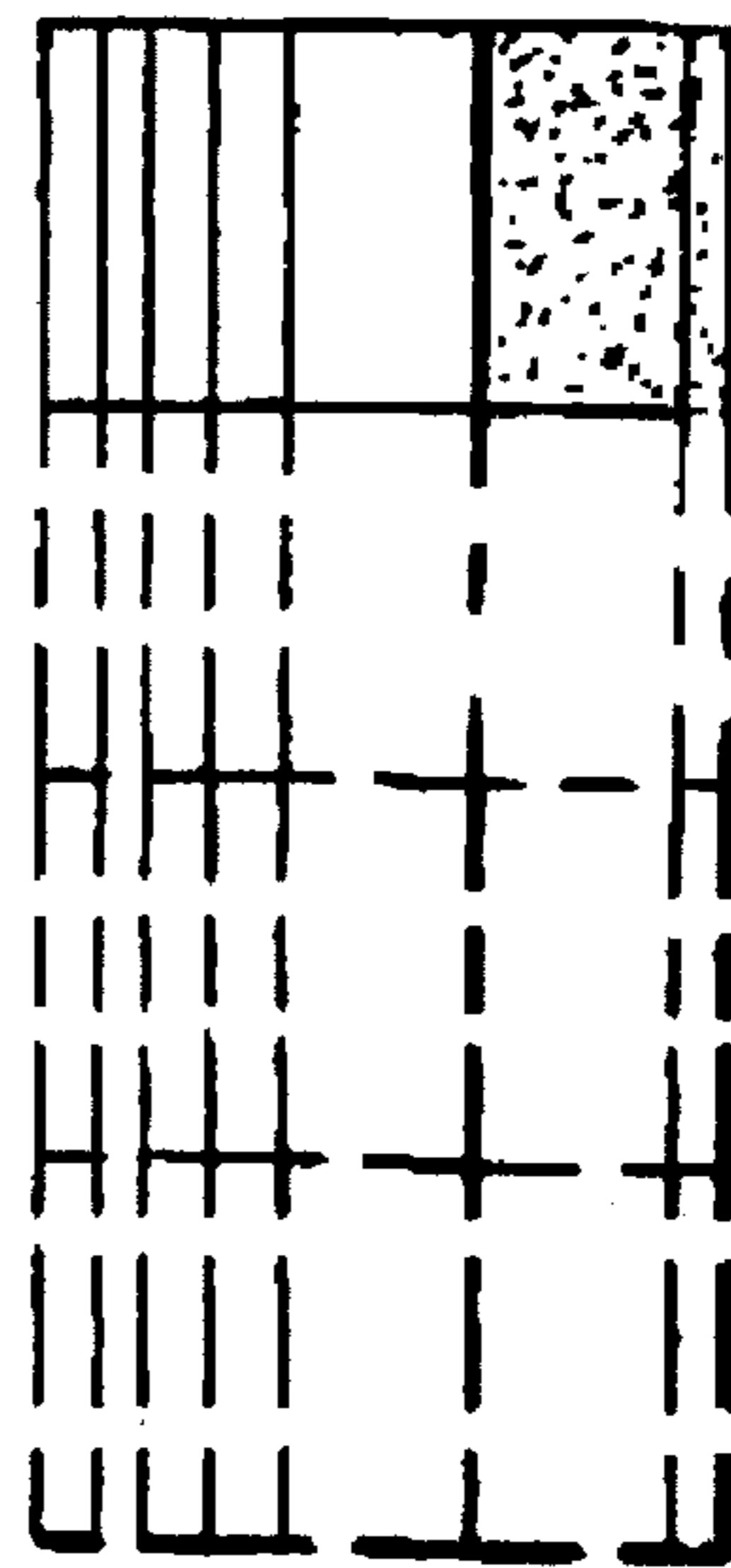
FIG. 9



**FIG. 10**



**FIG. 11**



**FIG. 12**