



US00D387431S

United States Patent [19]

Tremblay

[11] Patent Number: **Des. 387,431**

[45] Date of Patent: ****Dec. 9, 1997**

[54] **HOLLOW CONSTRUCTION BLOCK**

[76] Inventor: **Jean-François Tremblay**, 10, rue des Camelias, Ste-Etienne deLauzon, Quebec, Canada, G6J 1E3

[**] Term: **14 Years**

[21] Appl. No.: **50,684**

[22] Filed: **Feb. 22, 1996**

[51] LOC (6) Cl. **25-01**

[52] U.S. Cl. **D25/113; D25/118**

[58] Field of Search **D25/113-118; D21/108, 114; 52/604, 605, 606, 608, 592.1, 592.2, 592.3, 592.5, 592.6, 314, 311.1, 456; 446/110, 111, 119-122, 124, 125, 128**

[56] **References Cited**

U.S. PATENT DOCUMENTS

D. 213,618	3/1969	Pickering	D25/113
D. 251,204	2/1979	Ceglia	D25/113
D. 281,627	12/1985	Dos Santos	D25/118
1,689,107	10/1928	Bradley	D25/113

2,019,653	11/1935	Buyer	52/592.5
2,610,503	9/1952	Hall	D25/118
2,745,276	5/1956	Kuhlman	D25/113
2,911,818	11/1959	Smith	52/606
3,618,279	11/1971	Sease	D25/118
4,314,431	2/1982	Rabassa	D25/113

Primary Examiner—Ted Shooman
Assistant Examiner—R. Barkai
Attorney, Agent, or Firm—Goudreau Gage Dubuc & Martineau Walker

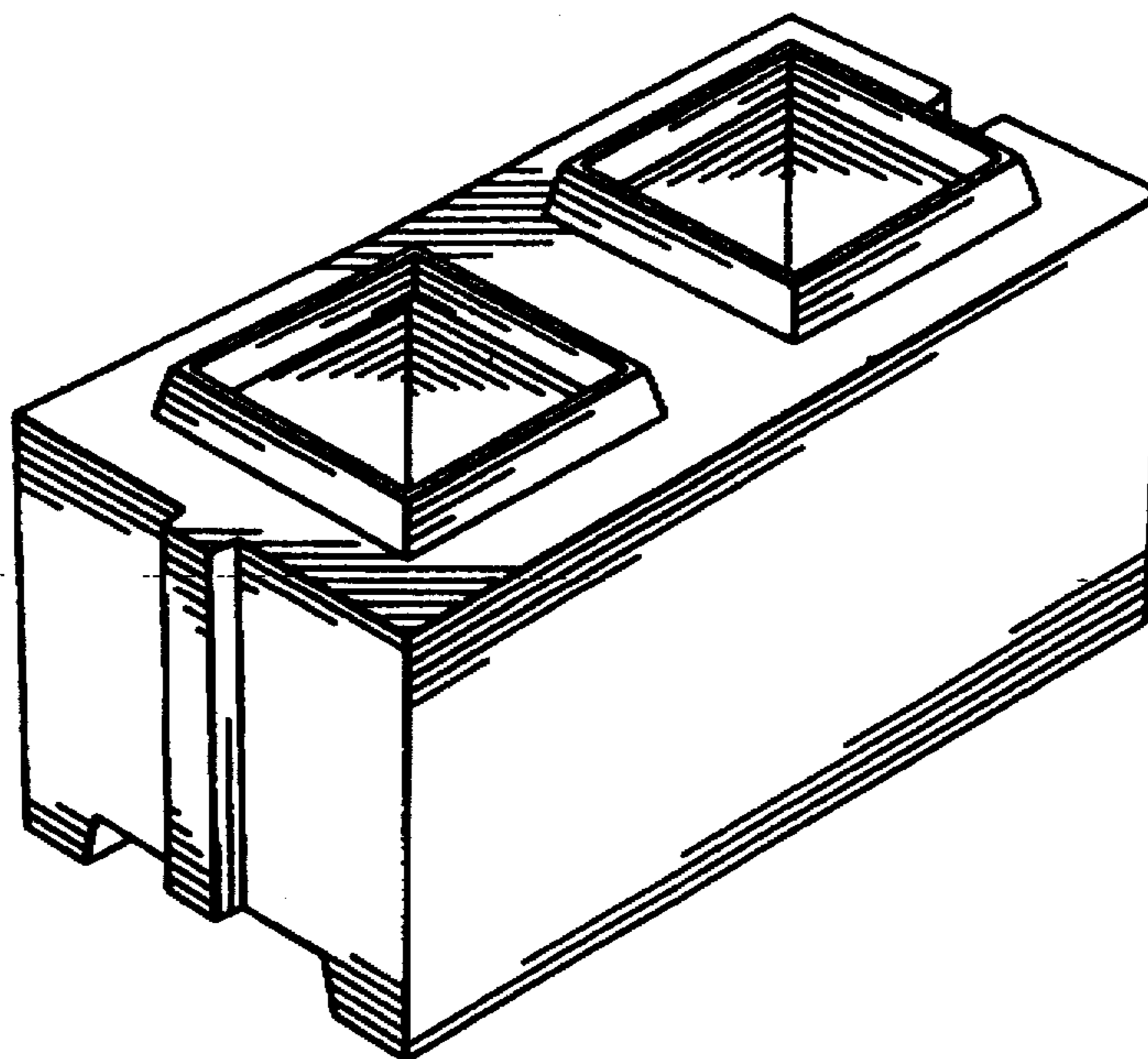
[57] **CLAIM**

The ornamental design for a hollow construction block, as shown and described.

DESCRIPTION

FIG. 1 is a perspective view of a hollow construction block showing my new design;
FIG. 2 is a left side elevational view thereof;
FIG. 3 is a front elevational view thereof;
FIG. 4 is a right elevational view thereof;
FIG. 5 is a rear elevational view thereof;
FIG. 6 is a top plan view thereof; and,
FIG. 7 is a bottom plan view thereof.

1 Claim, 1 Drawing Sheet



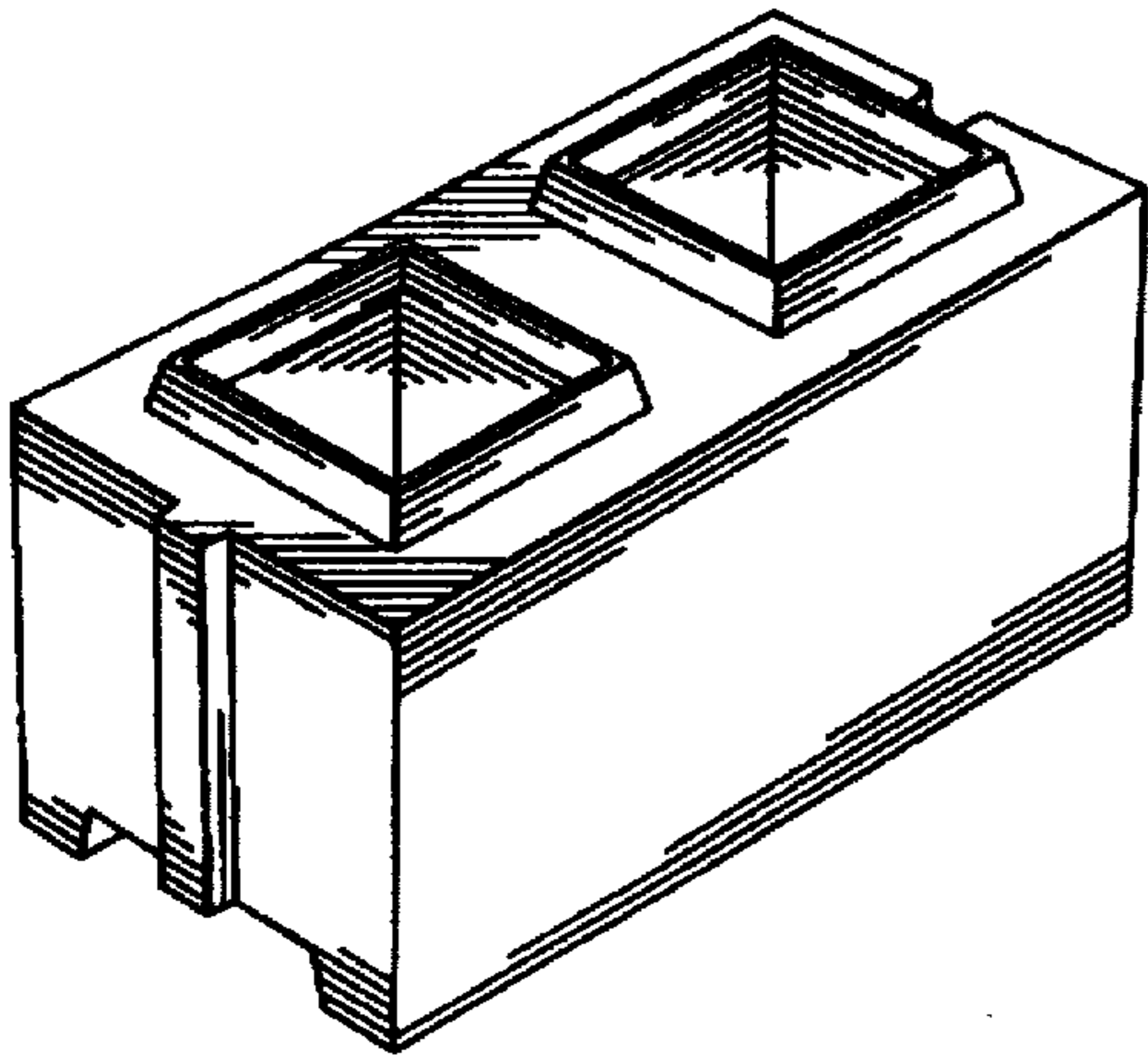


FIG. 1

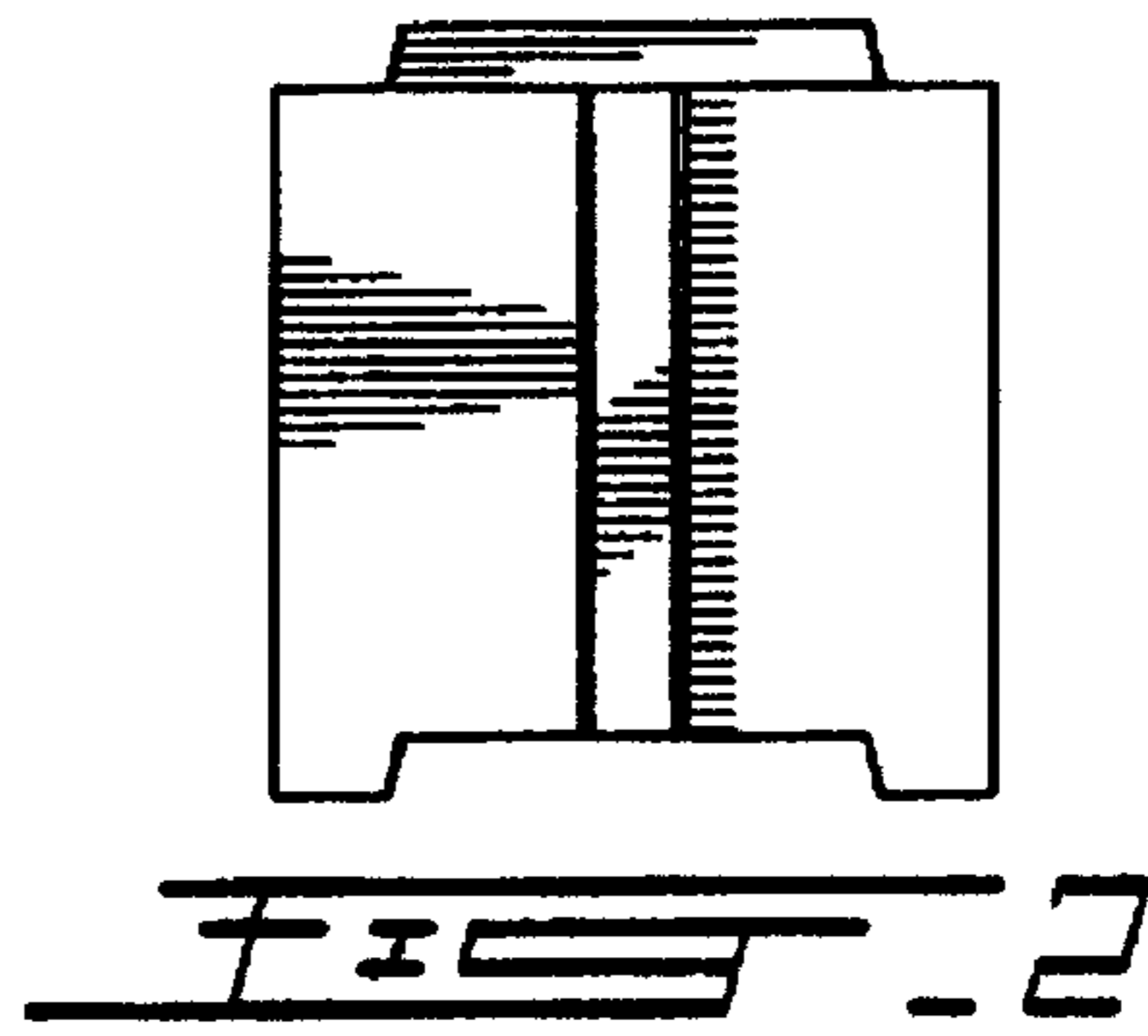


FIG. 2

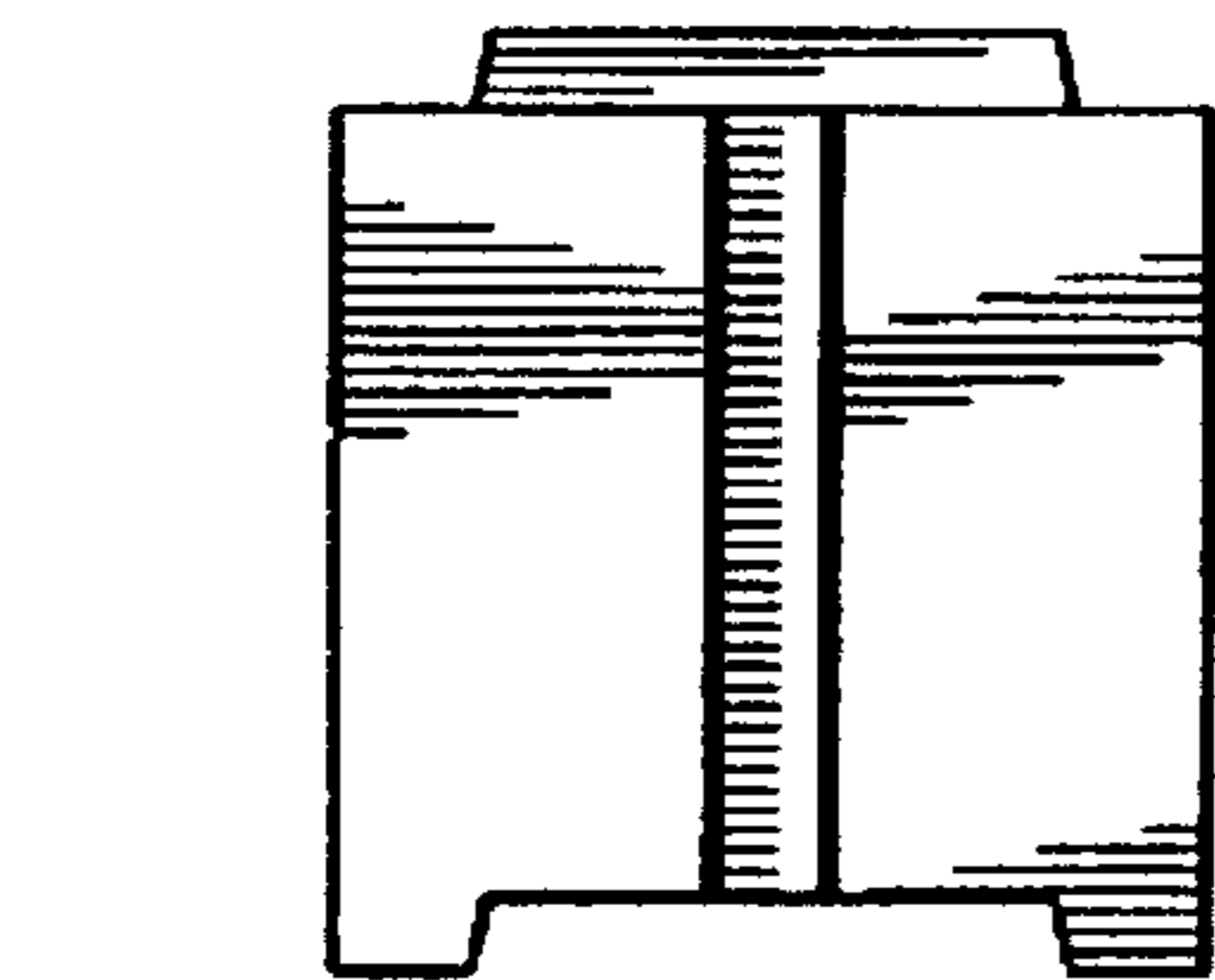


FIG. 4

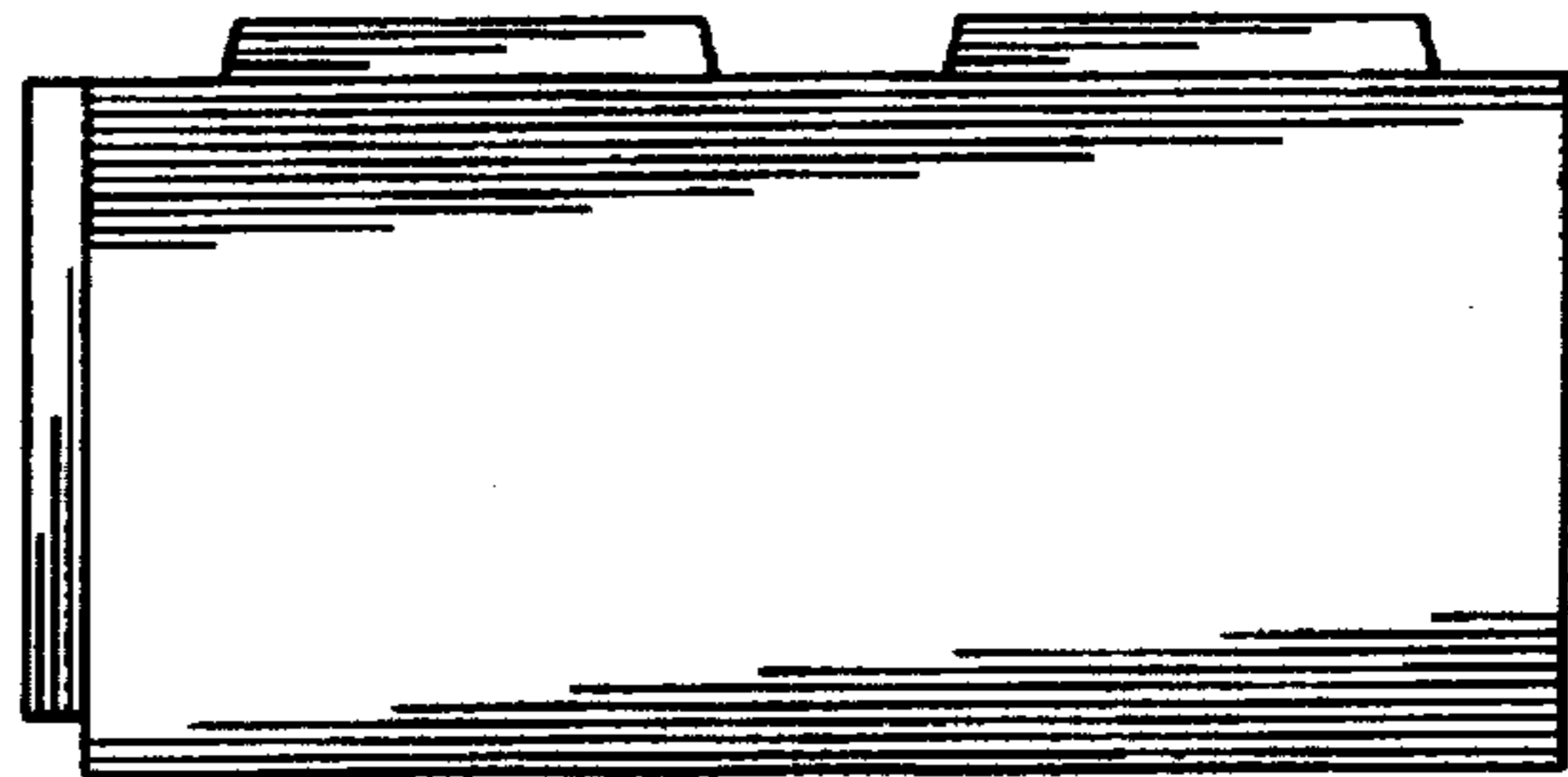


FIG. 3

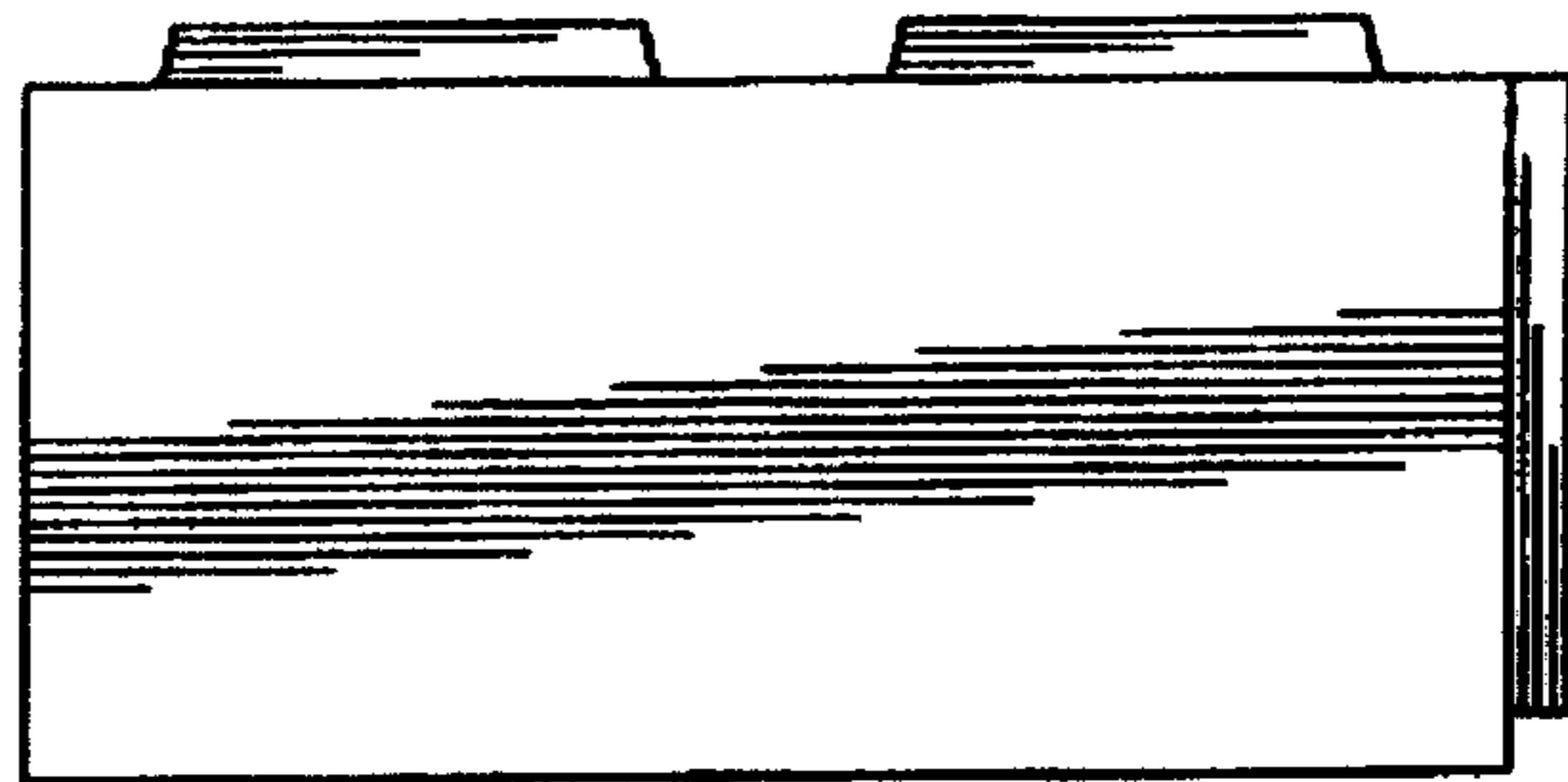


FIG. 5

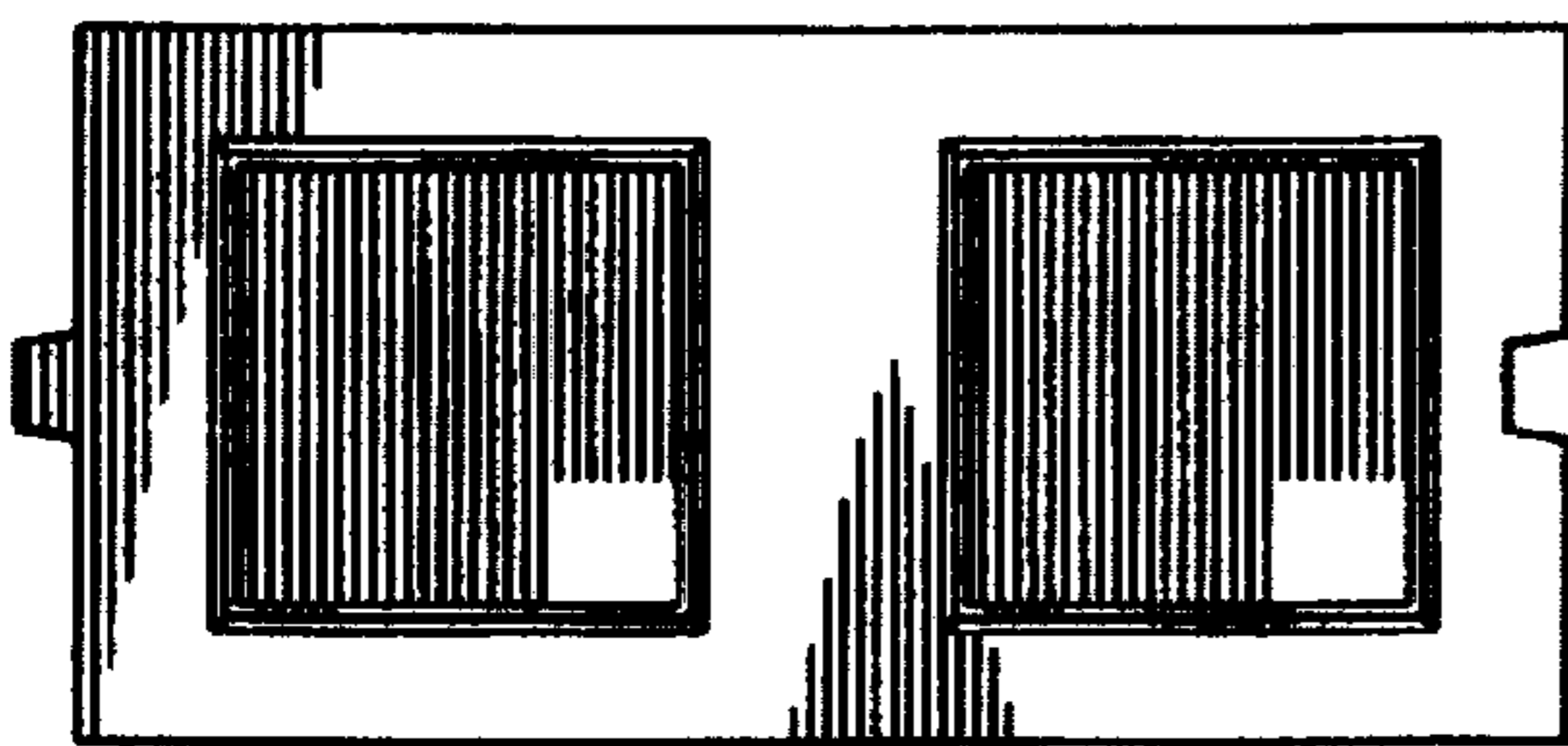


FIG. 6

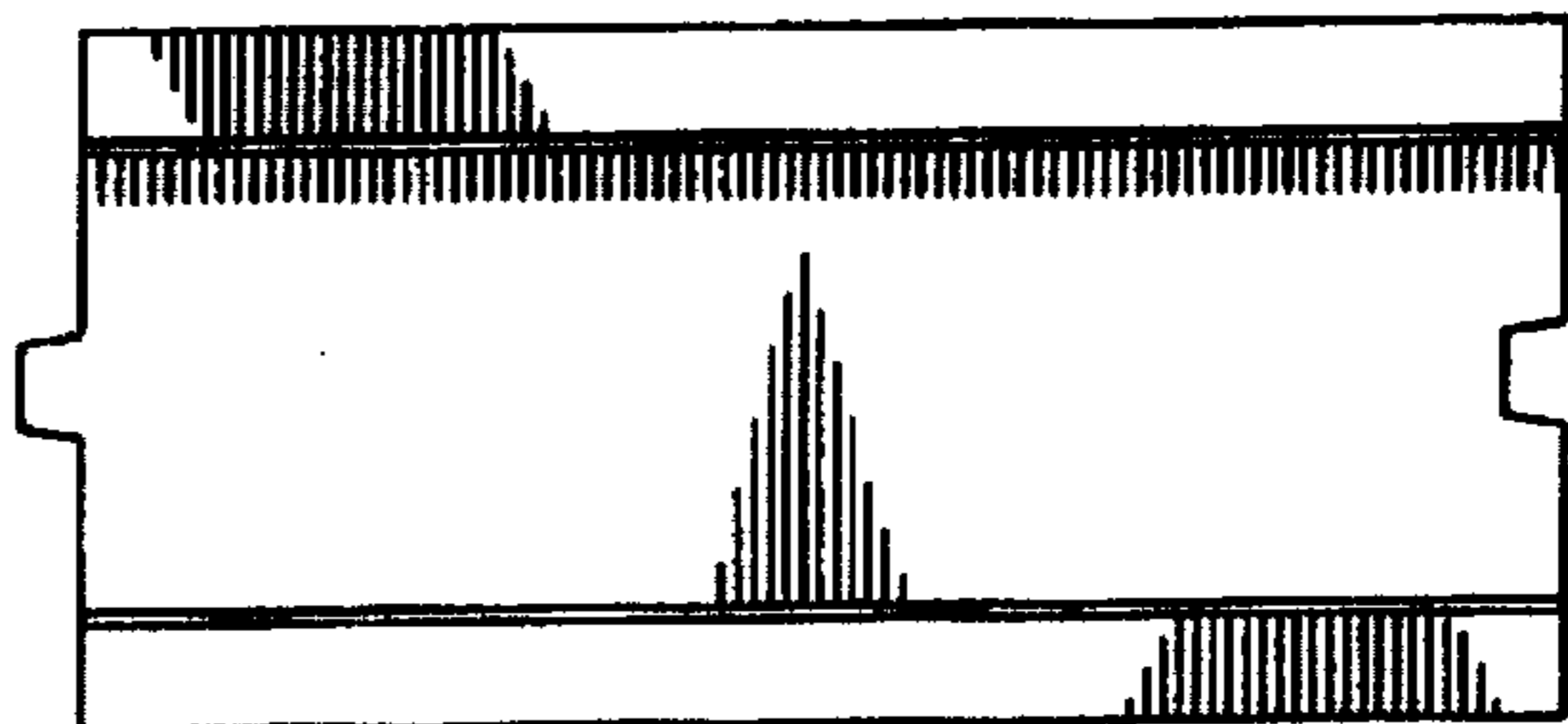


FIG. 7