



US00D387429S

United States Patent [19]

[11] Patent Number: **Des. 387,429**

Murrell et al.

[45] Date of Patent: ****Dec. 9, 1997**

[54] **CABINET FOR AN AUTOSAMPLER**

Assistant Examiner—I. Simmons

[75] Inventors: **Spencer B. Murrell**, Delaware; **Keith J. Kresge**, Worthington, both of Ohio

Attorney, Agent, or Firm—Westman, Champlin & Kelly, P.A.

[73] Assignee: **Tekmar Company**, Cincinnati, Ohio

[57] CLAIM

[**] Term: **14 Years**

The ornamental design for a cabinet for an autosampler, as shown and described.

[21] Appl. No.: **27,149**

DESCRIPTION

[22] Filed: **Jul. 11, 1994**

[51] LOC (6) Cl. **24-02**

FIG. 1 is a perspective view of a cabinet for an autosampler embodying our new design;

[52] U.S. Cl. **D24/232; D24/231**

FIG. 2 is a front elevational view thereof;

[58] Field of Search **D24/231, 232, D24/186, 169; D10/81; 422/67, 63, 64, 100, 104, 102, 68.1**

FIG. 3 is a rear elevational view thereof;

[56] References Cited

FIG. 4 is a left side elevational view thereof;

U.S. PATENT DOCUMENTS

FIG. 5 is a right side elevational view thereof;

D. 271,570	11/1983	Cain	D24/232	X
4,131,426	12/1978	Range	422/100	X
4,235,840	11/1980	Mendoza et al.	422/100	X
4,705,630	11/1987	Gordon et al.	422/102	X
5,046,539	9/1991	MacLeish et al.	422/100	X

FIG. 6 is a top plan view thereof; and,

FIG. 7 is a bottom plan view thereof.

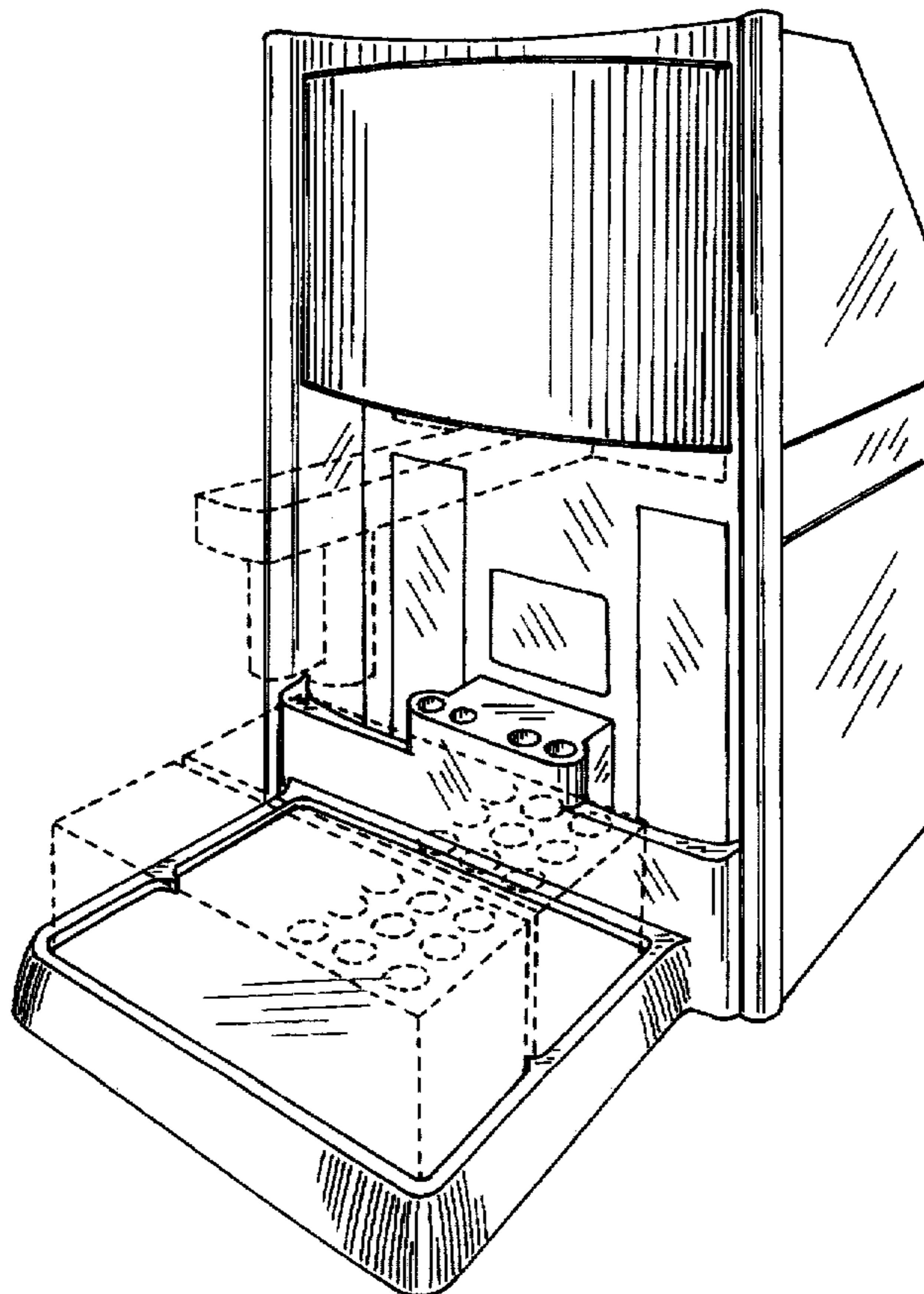
OTHER PUBLICATIONS

The broken line showings of a robot arm, and sample carrying trays are for illustrative purposes only and form no part of the claimed design.

Tekmar Catalog, Published 1990, pp. 47, 48, 49, 57, 64 and 65.

Primary Examiner—Louis S. Zarfes

1 Claim, 4 Drawing Sheets



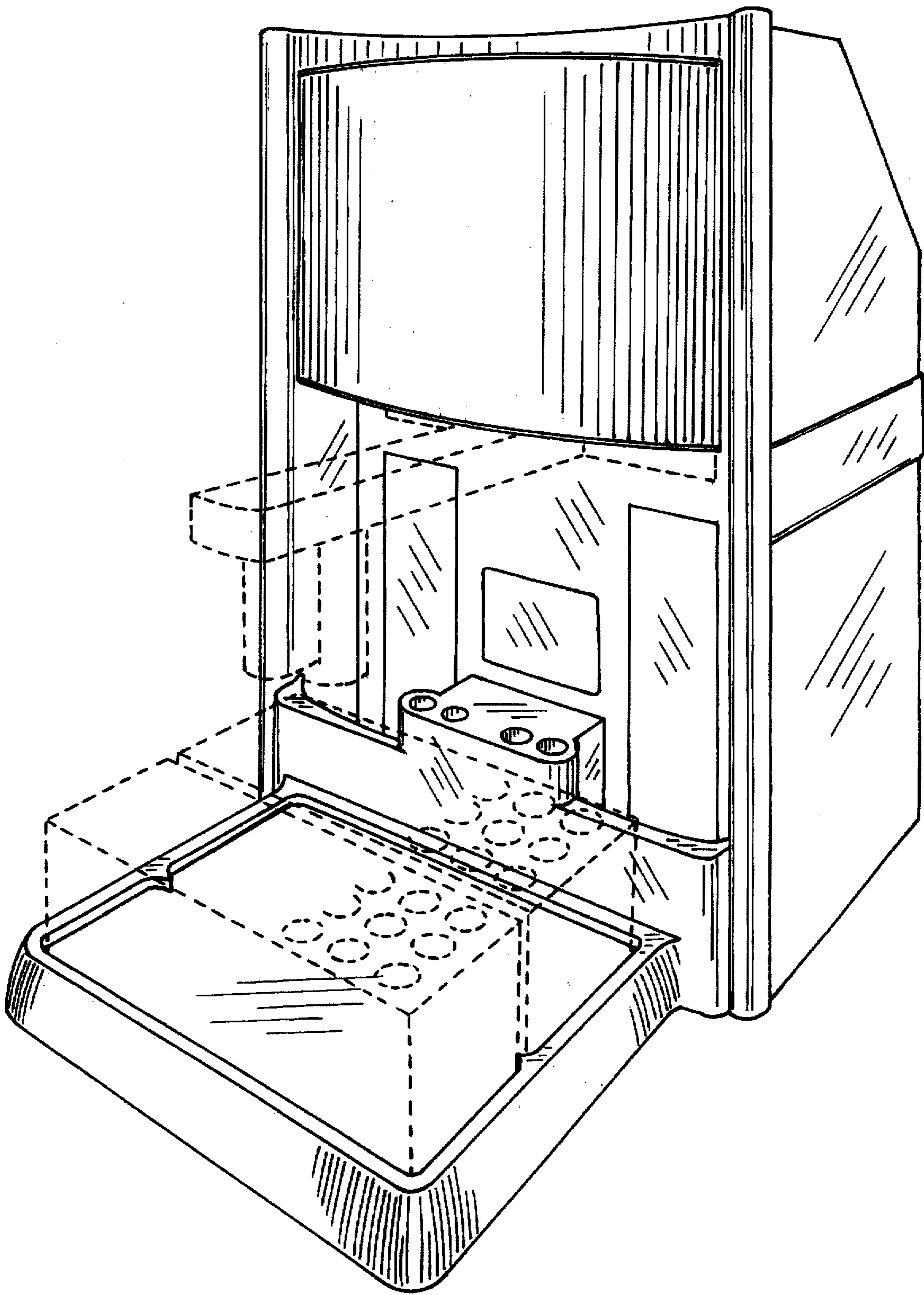


FIG. 1

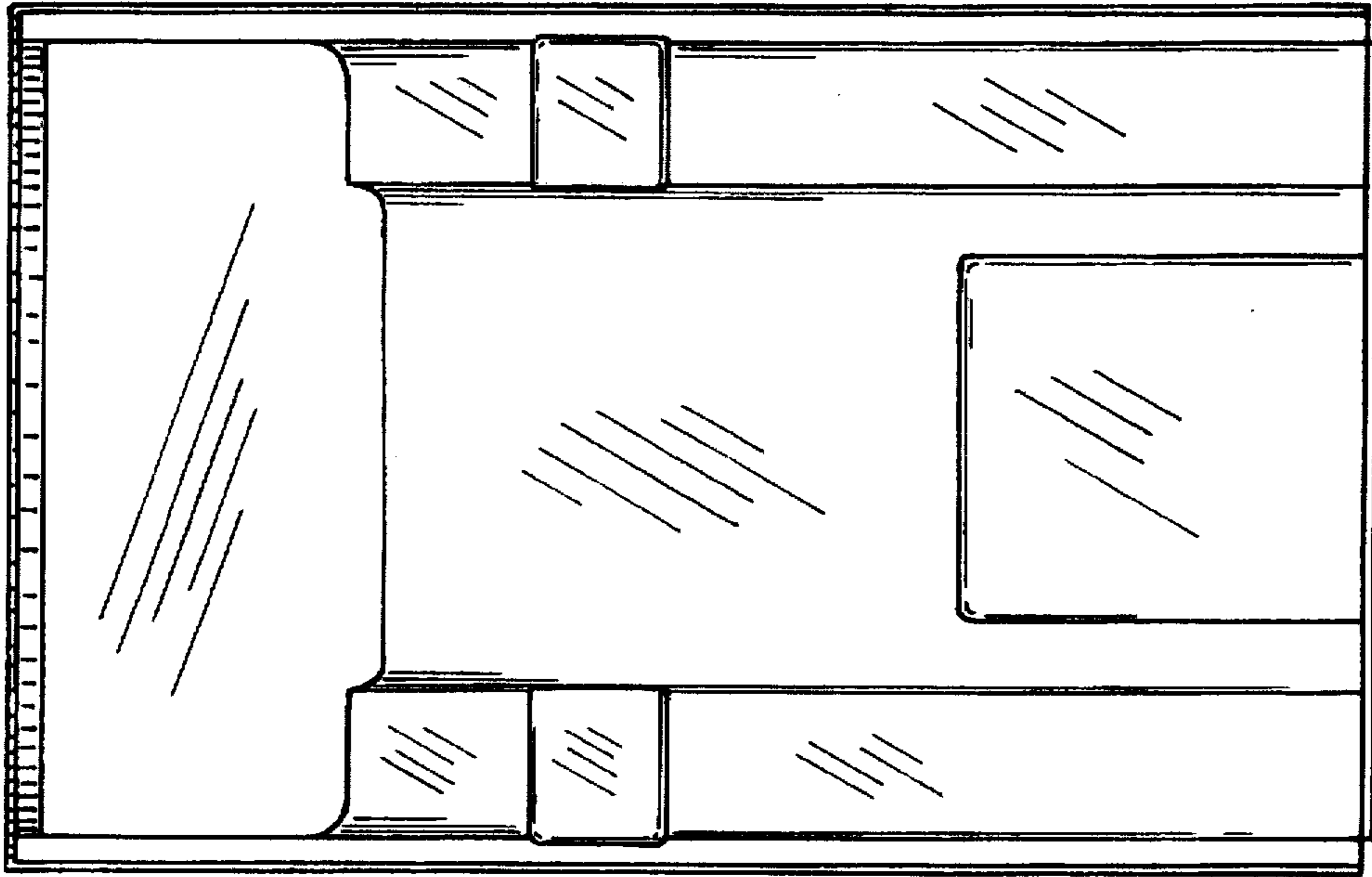


FIG. 3

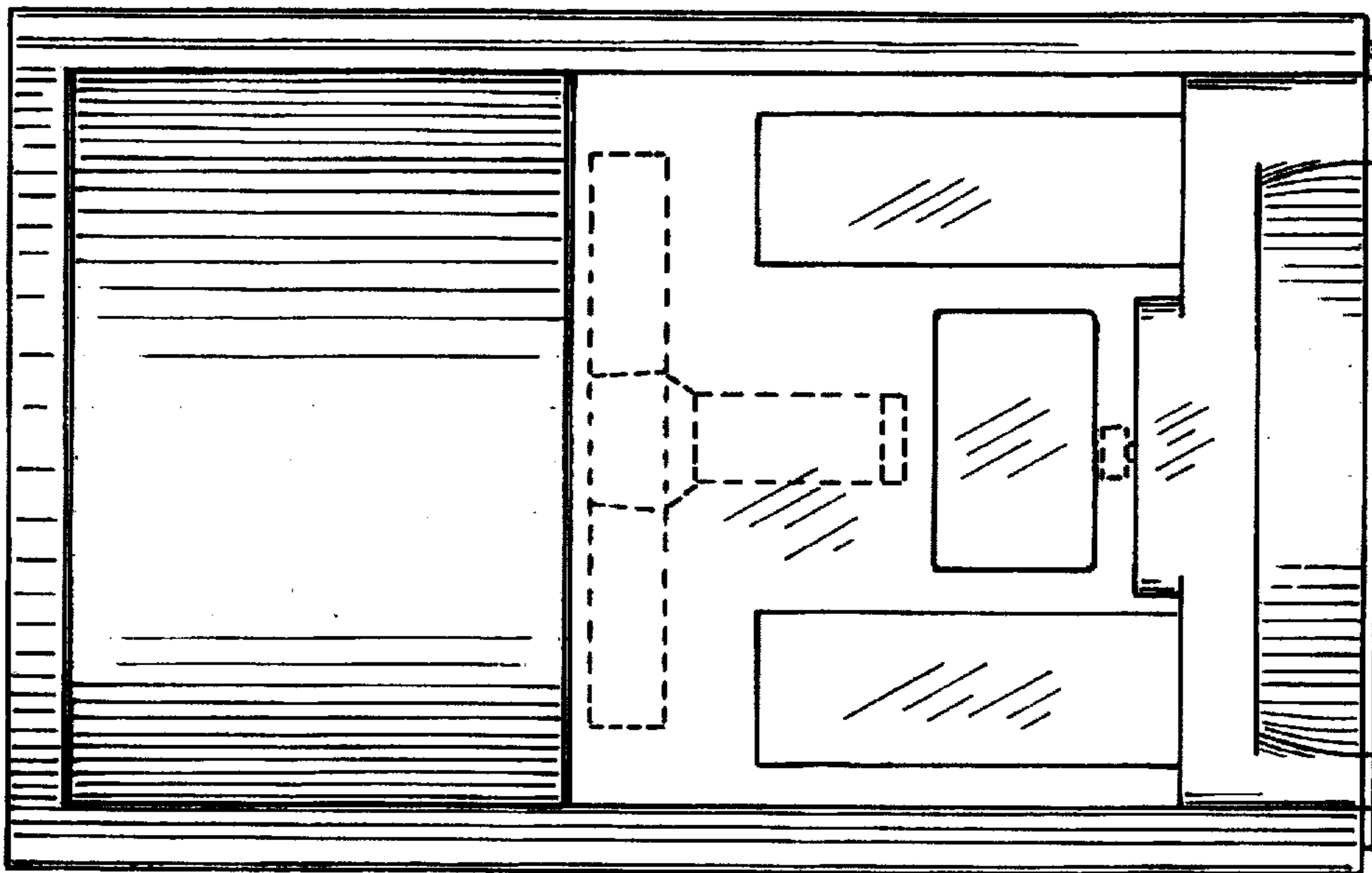


FIG. 2

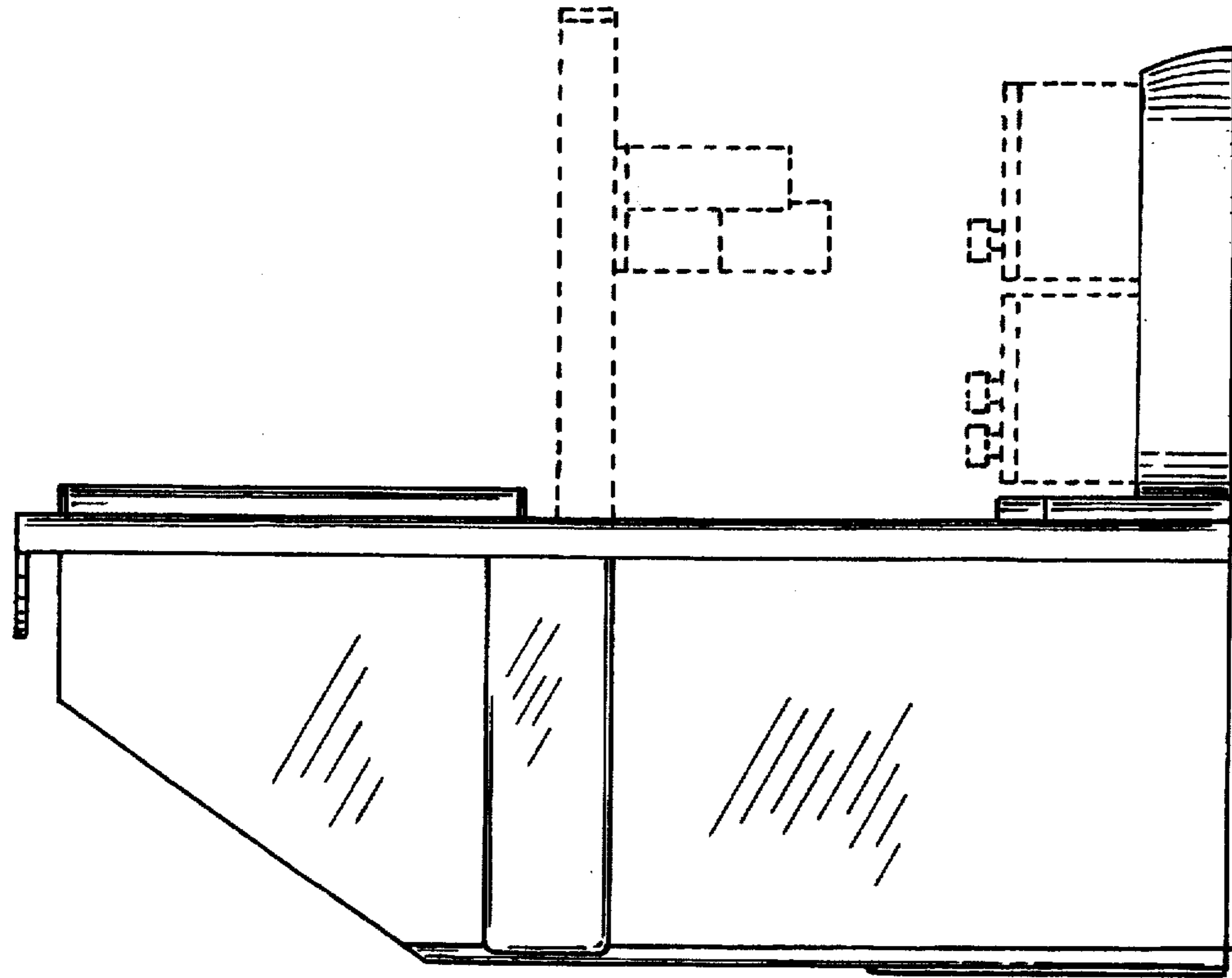


FIG. 4

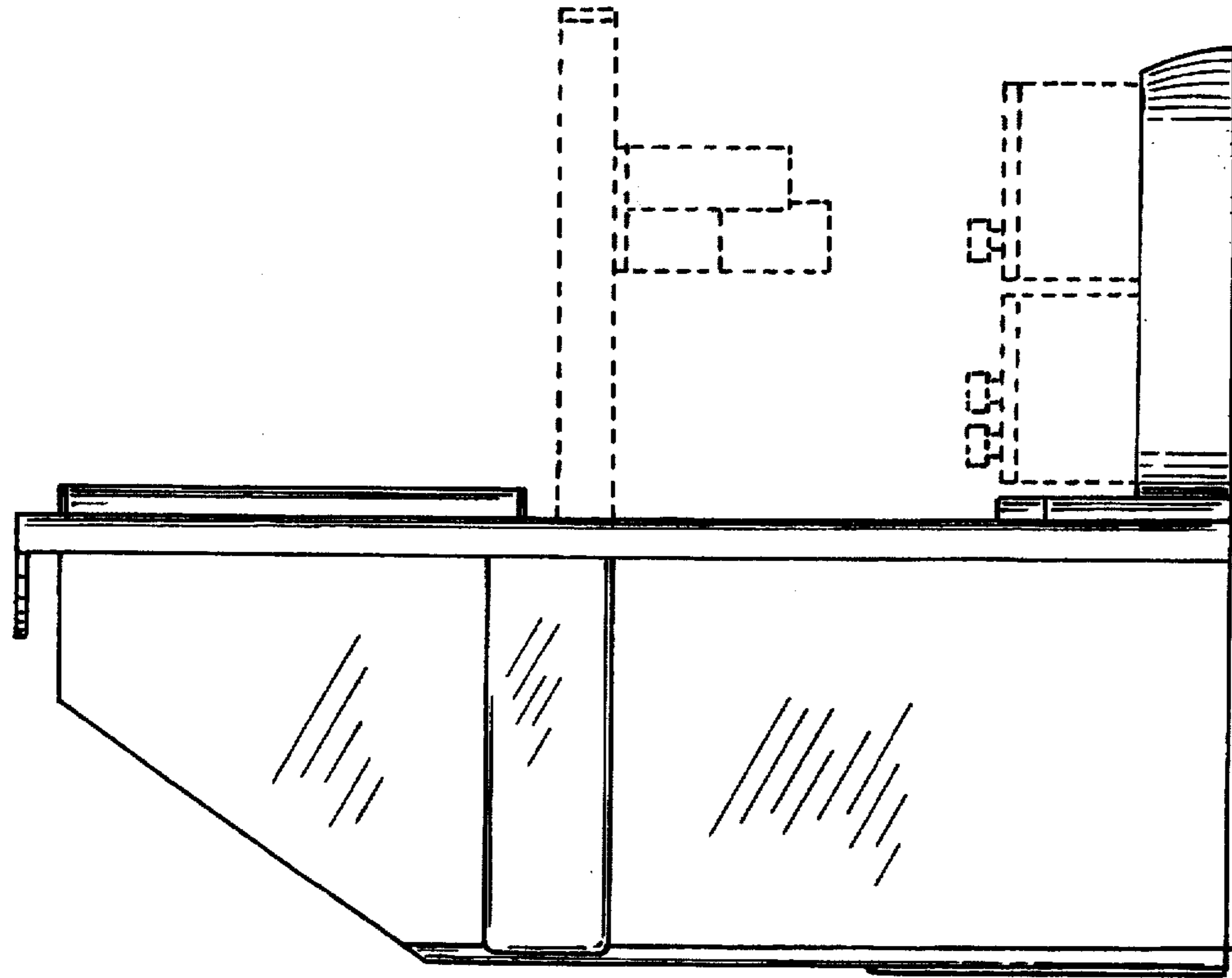


FIG. 5

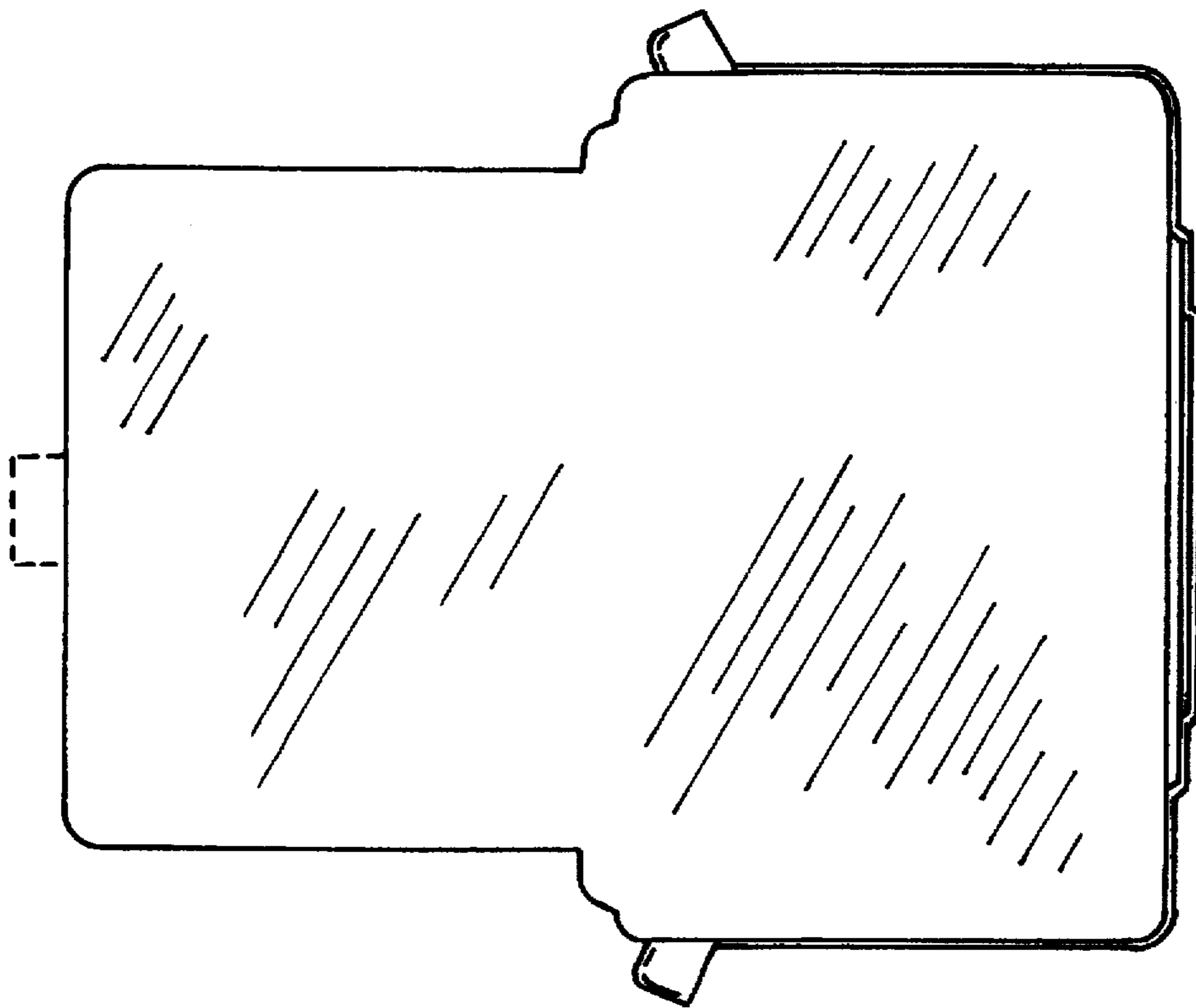


FIG. 7

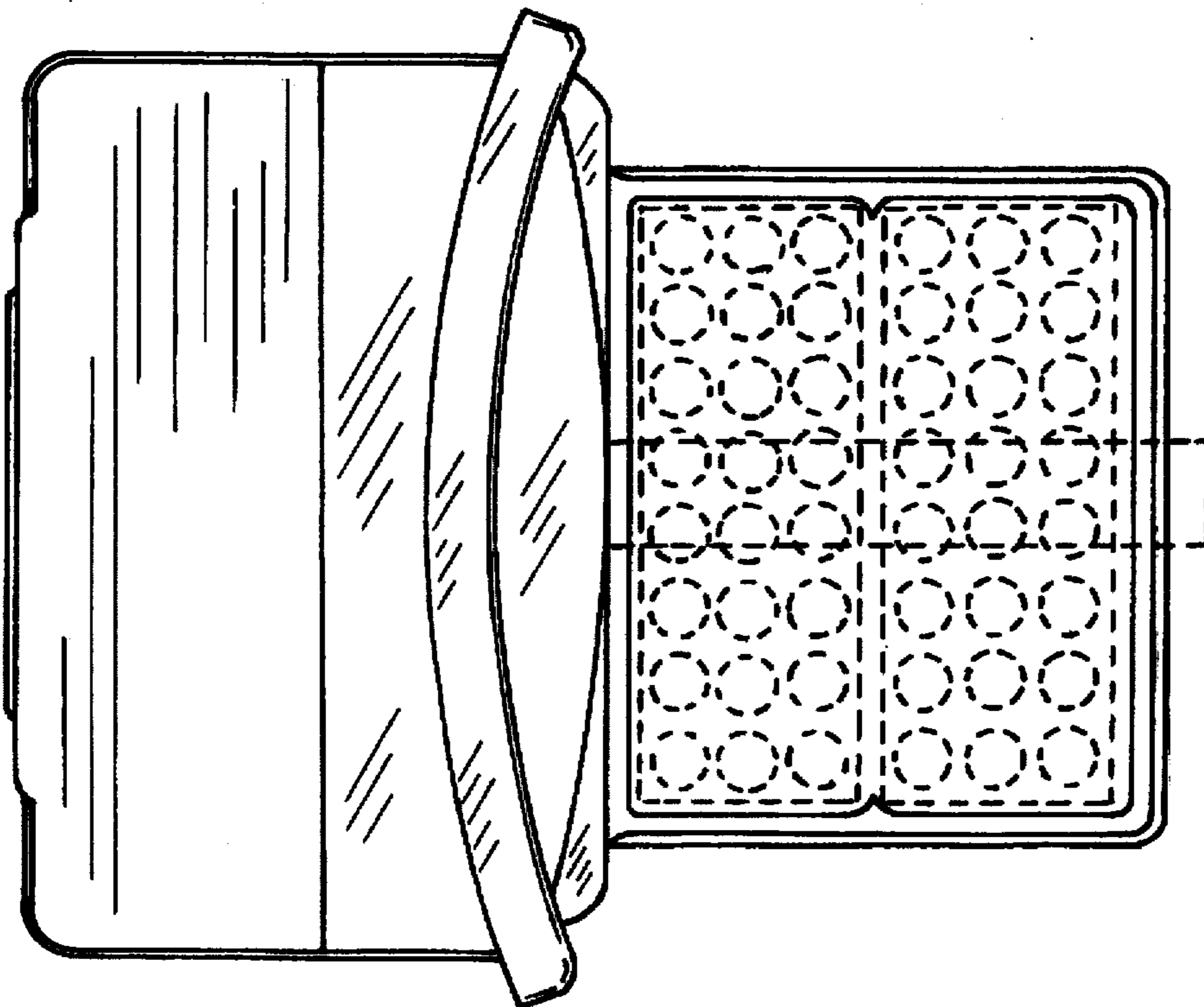


FIG. 6