



US00D387428S

United States Patent [19]

Gullichsen

[11] Patent Number: Des. 387,428

[45] Date of Patent: **Dec. 9, 1997

[54] **TRANSPARENT X-RAY FILM CASSETTE HOLDER FOR X-RAY OF A FOOT AND ANKLE**

[76] Inventor: **Rolf E. A. Gullichsen**, Jyrätie 3 O, SF-20540 Turku, Finland

[**] Term: **14 Years**

[21] Appl. No.: **45,169**

[22] Filed: **Oct. 11, 1995**

Related U.S. Application Data

[63] Continuation of Ser. No. 211,869, Apr. 20, 1994, abandoned.

[30] Foreign Application Priority Data

Oct. 25, 1991	[FI]	Finland	915034
Jul. 13, 1992	[FI]	Finland	923207

[51] LOC (6) Cl. **24-01**

[52] U.S. Cl. **D24/161**

[58] Field of Search D24/158, 161; 378/174, 177, 179, 170, 140, 167, 209, 181, 180, 182, 164

[56] References Cited

U.S. PATENT DOCUMENTS

D. 276,648 12/1984 Stevenson D24/161

D. 282,872	3/1986	Hayes et al.	D24/161
D. 298,054	10/1988	Moore	D24/161
3,444,371	5/1969	Via, Jr.	D24/161 X
3,916,207	10/1975	Reed	378/174
4,455,671	6/1984	Farrar	378/170
4,905,266	2/1990	Kuck et al.	378/177

Primary Examiner—Stella Reid
Attorney, Agent, or Firm—Kubovcik & Kubovcik

[57] CLAIM

The ornamental design for a transparent x-ray film cassette holder for x-ray of a foot and ankle, as shown.

DESCRIPTION

FIG. 1 is a front perspective view of a transparent x-ray film cassette holder for x-ray of a foot and ankle showing my new design;

FIG. 2 is a front elevational view thereof;

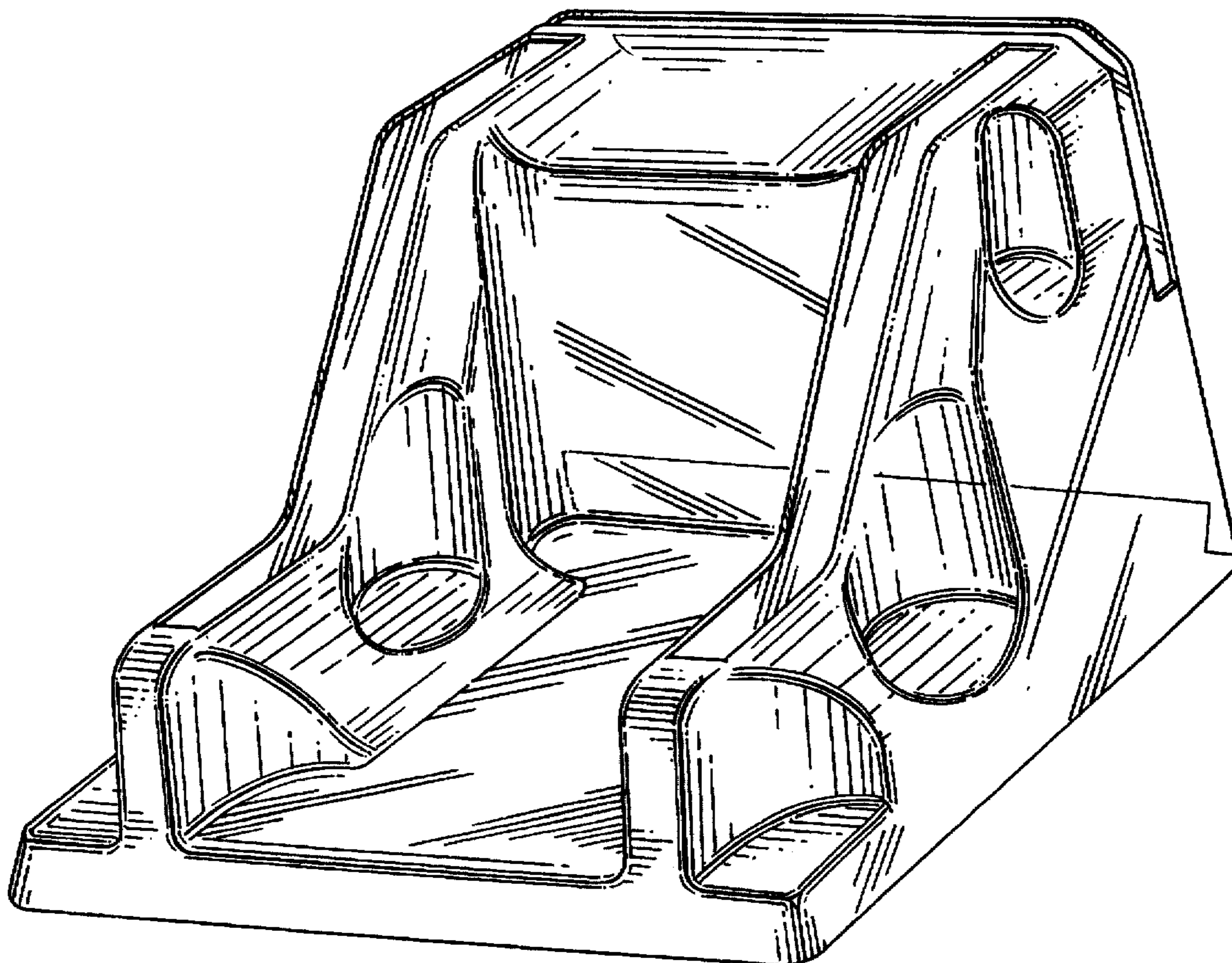
FIG. 3 is a rear elevational view thereof;

FIG. 4 is a top plan view thereof;

FIG. 5 is a bottom plan view thereof; and,

FIG. 6 is a side view thereof.

1 Claim, 5 Drawing Sheets



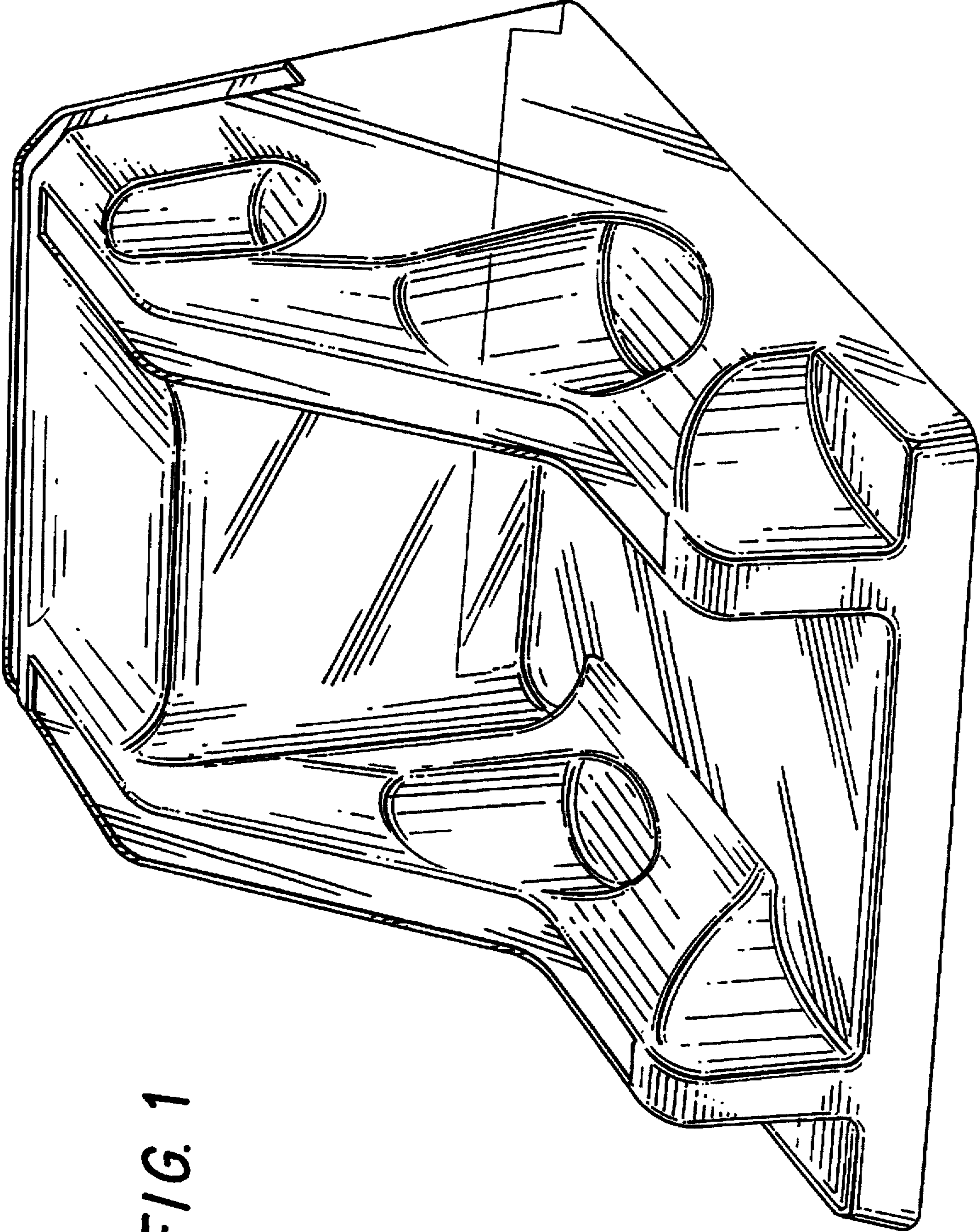


FIG. 1

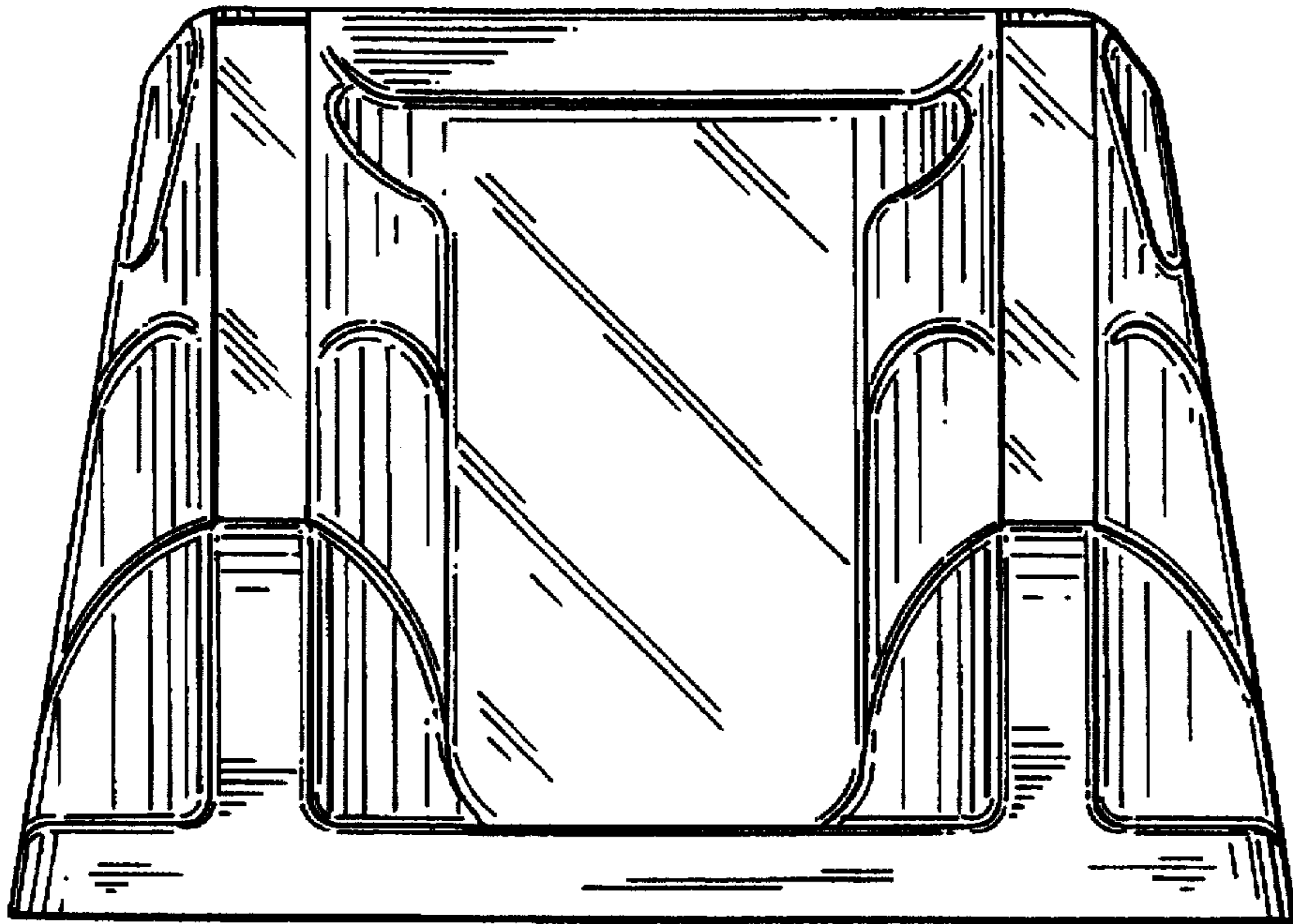


FIG. 2

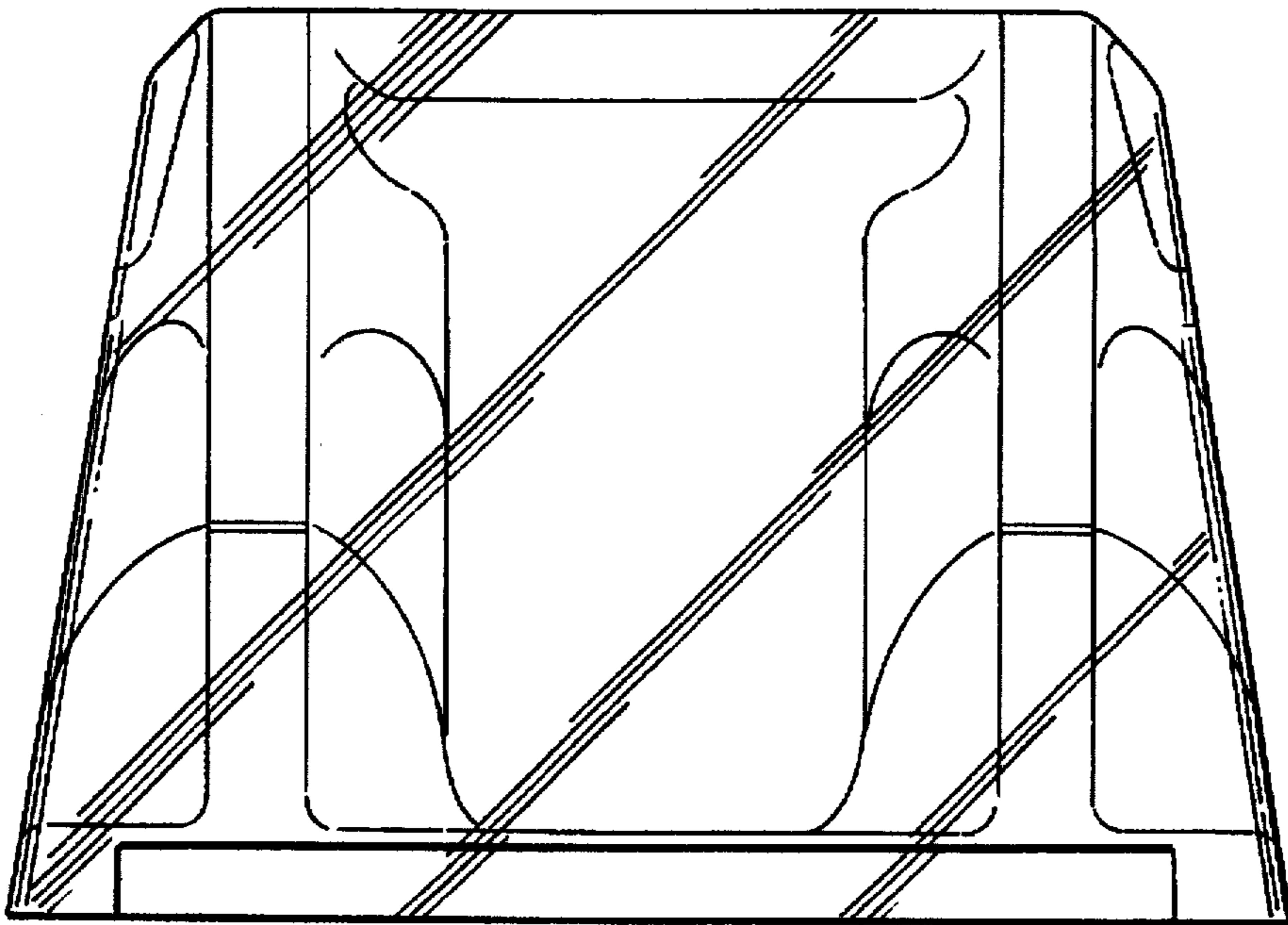


FIG. 3

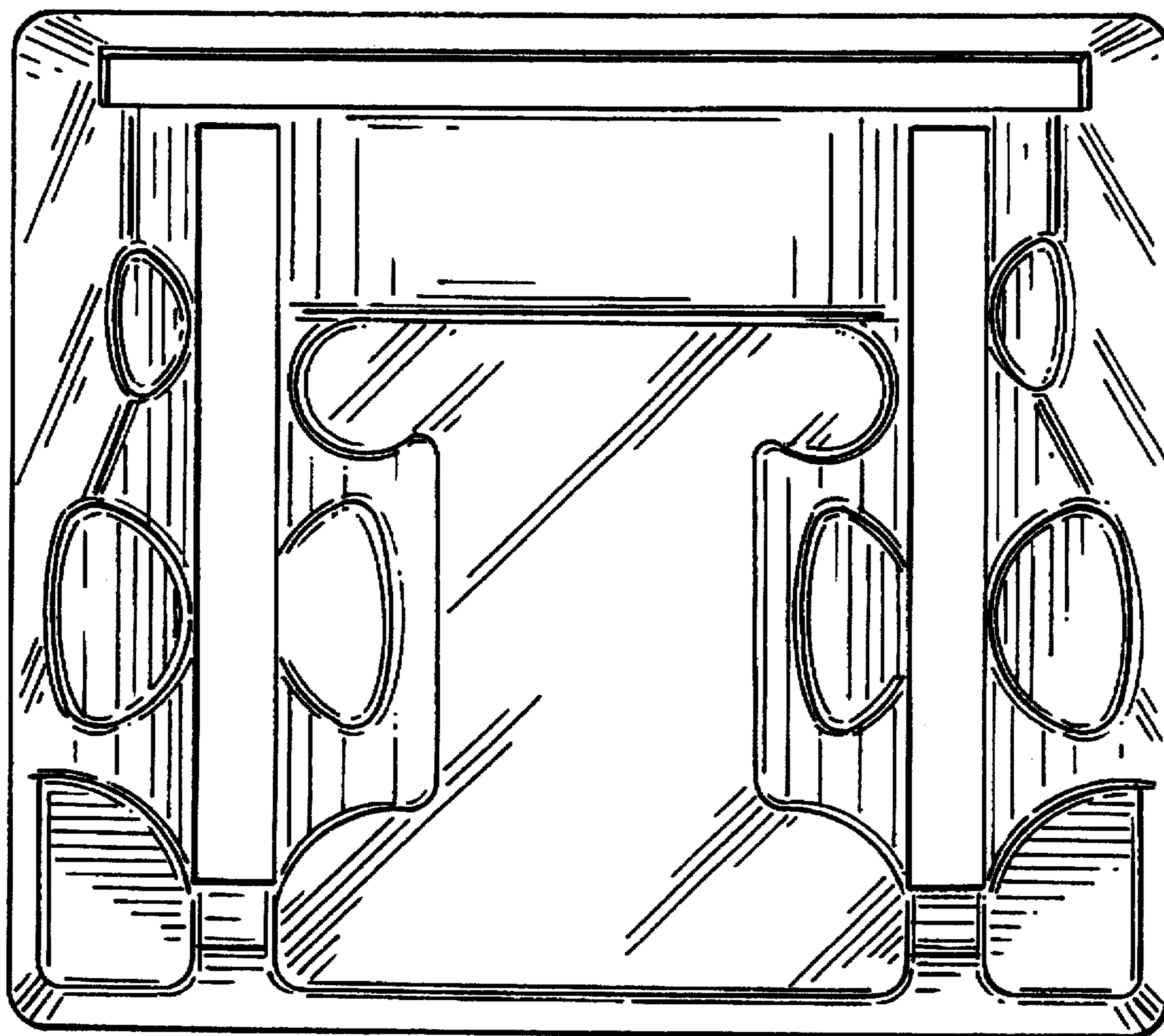


FIG. 4

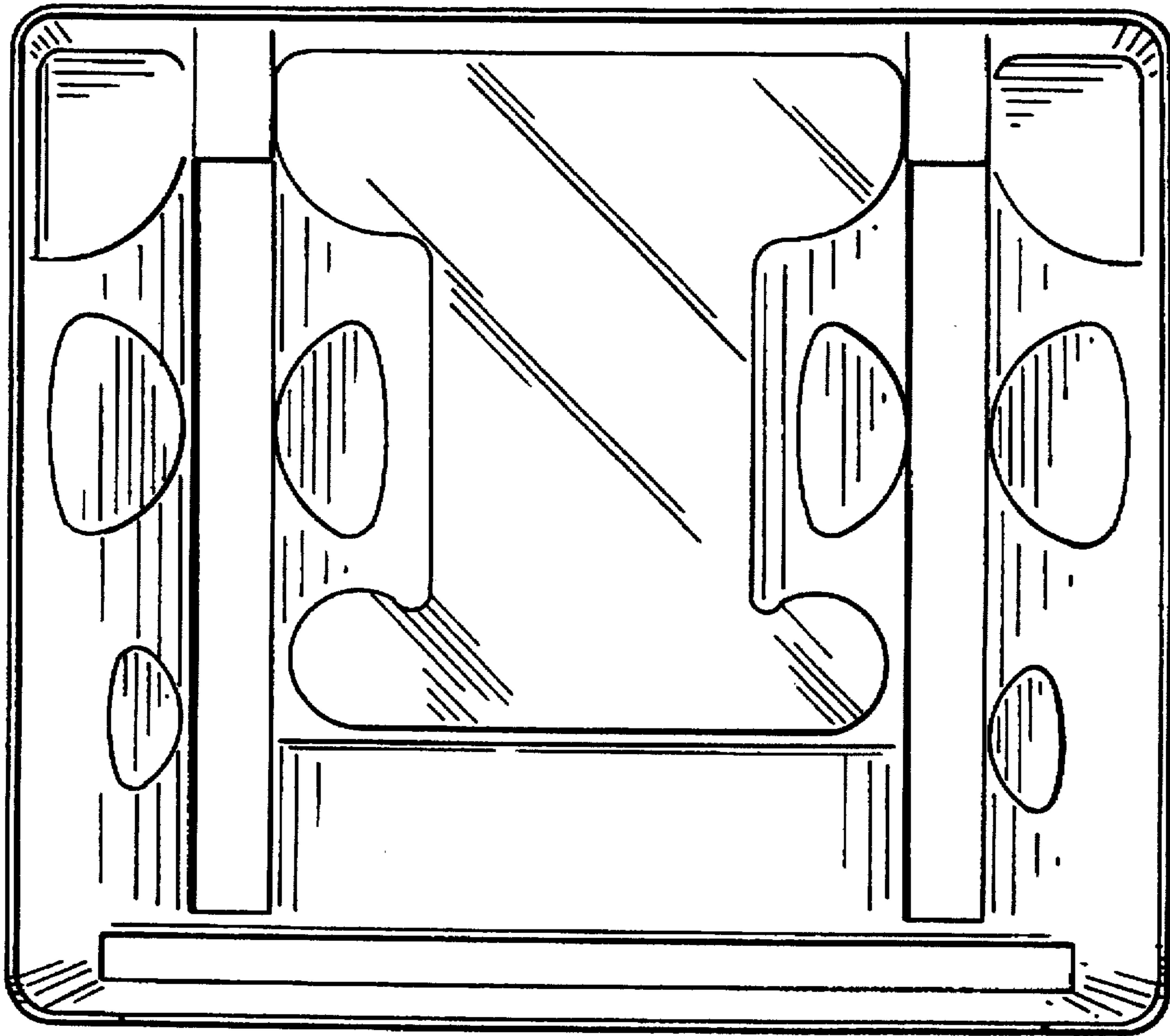


FIG. 5

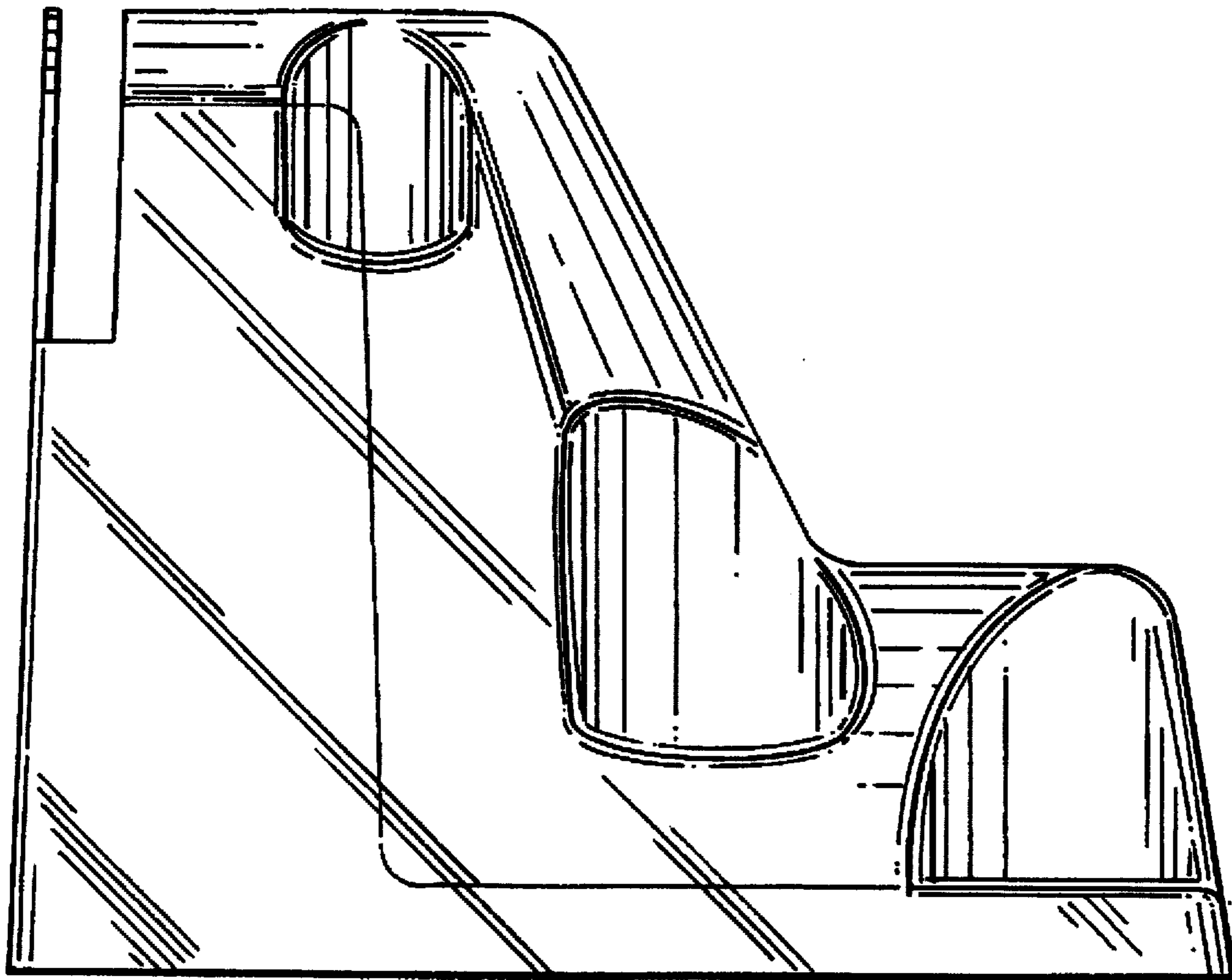


FIG. 6