



US00D387425S

United States Patent [19]

Niedospial et al.

[11] Patent Number: **Des. 387,425**

[45] Date of Patent: *****Dec. 9, 1997**

[54] CANNULA

D. 369,406	4/1996	Niedospial et al.	D24/129
4,769,018	9/1988	Wilson	604/283
5,437,644	8/1995	Nobles	604/174

[75] Inventors: **John J. Niedospial**, Princeton Junction, N.J.; **Robert J. DeLuccia**, Mamaroneck, N.Y.

[73] Assignee: **Sanofi Winthrop, Inc.**, New York, N.Y.

[*] Notice: The portion of the term of this patent subsequent to Apr. 1, 2011, has been disclaimed.

[**] Term: **14 Years**

[21] Appl. No.: **49,144**

[22] Filed: **Jan. 18, 1996**

[51] LOC (6) Cl. **24-02**

[52] U.S. Cl. **D24/112; D24/108**

[58] Field of Search D24/112, 129, D24/130, 108; D23/262, 259; 604/264, 280, 256, 164, 283, 174

[56] **References Cited**

U.S. PATENT DOCUMENTS

D. 293,821 1/1988 Villancourt D24/130

Primary Examiner—Louis S. Zarfaz
Assistant Examiner—Gregory Andoll
Attorney, Agent, or Firm—William J. Davis; Imre (Jim) Balogh

[57] CLAIM

The ornamental design for a cannula, as shown and described.

DESCRIPTION

FIG. 1 is a perspective view of a cannula incorporating the design;

FIG. 2 is a side elevational view of the design of FIG. 1, the left side and the right side elevation having the same appearance;

FIG. 3 is a top plan view of the design of FIG. 1; and,

FIG. 4 is a bottom plan view of the design of FIG. 1.

1 Claim, 1 Drawing Sheet

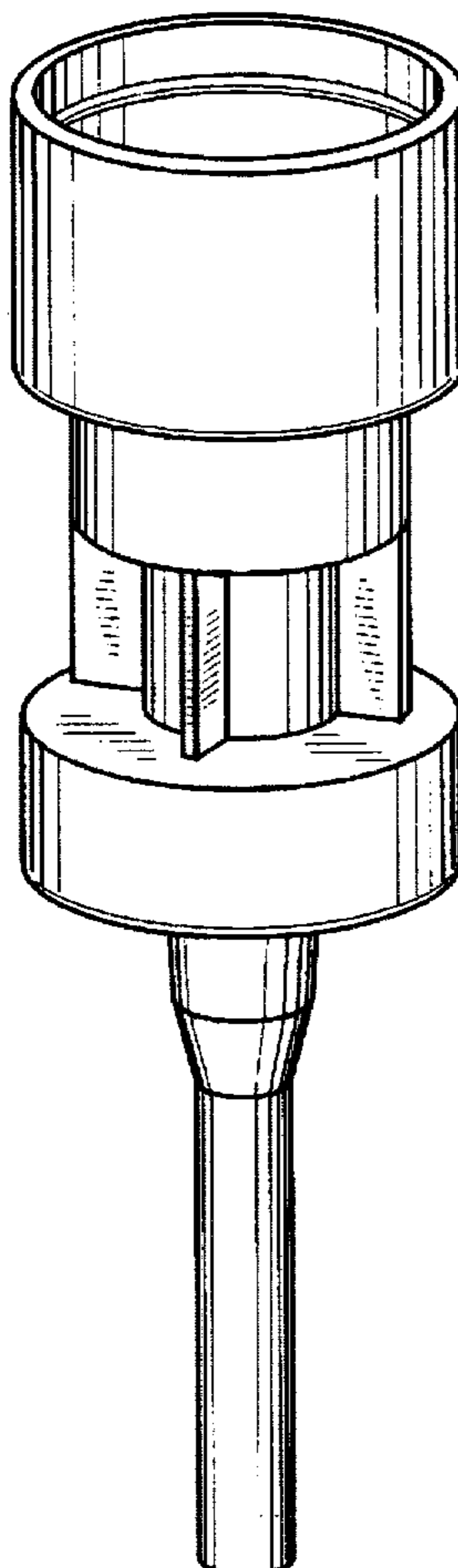


FIG. 1

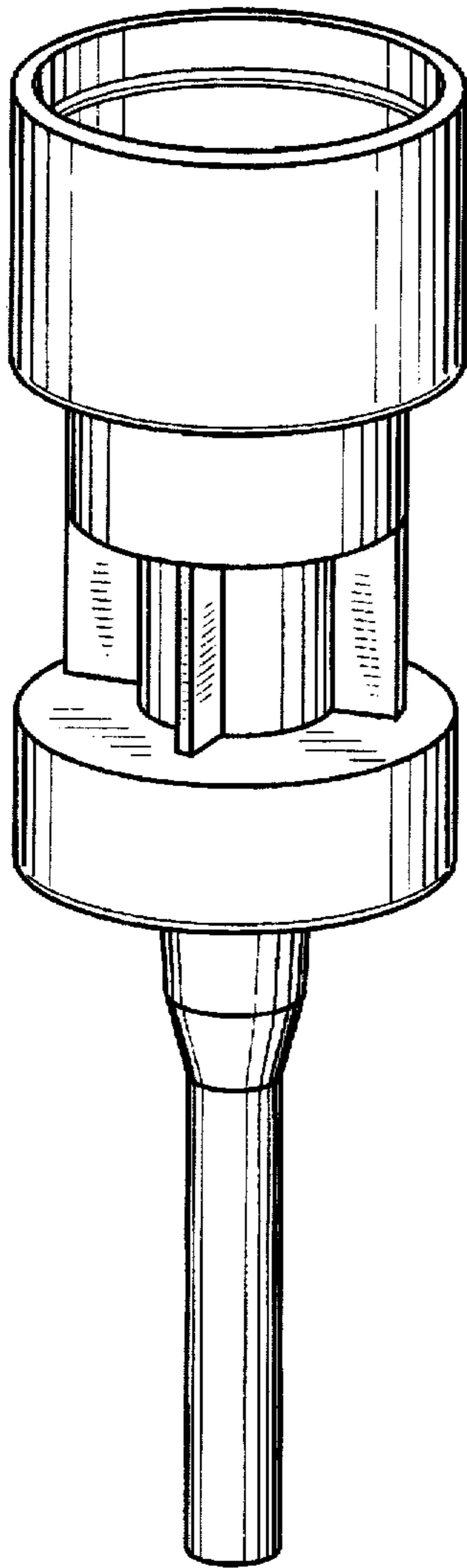


FIG. 2

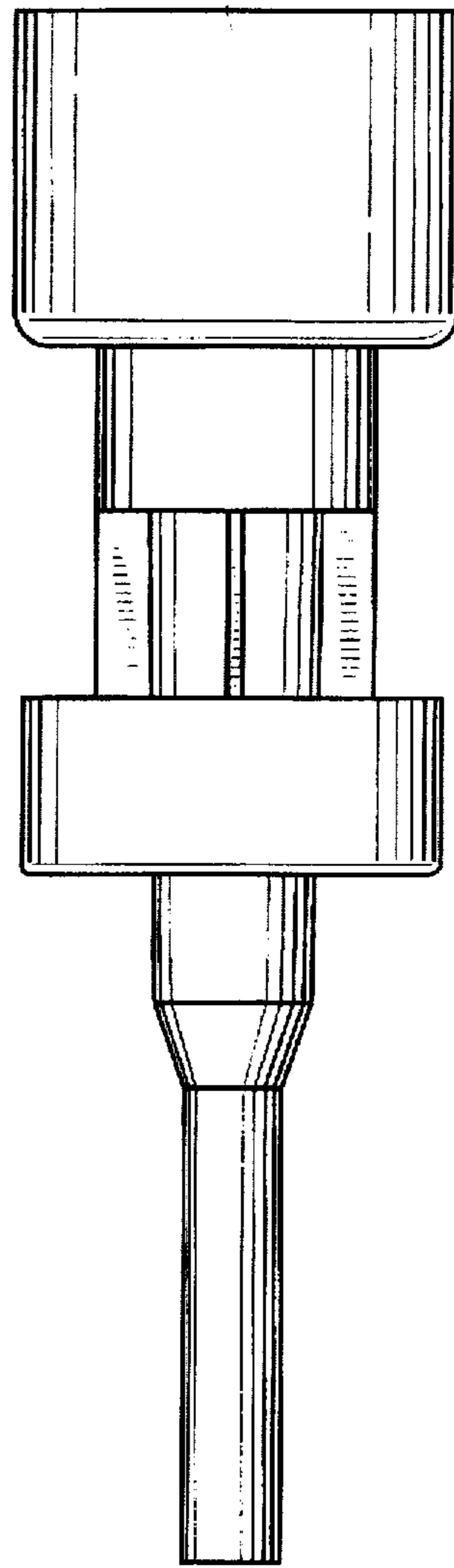


FIG. 3

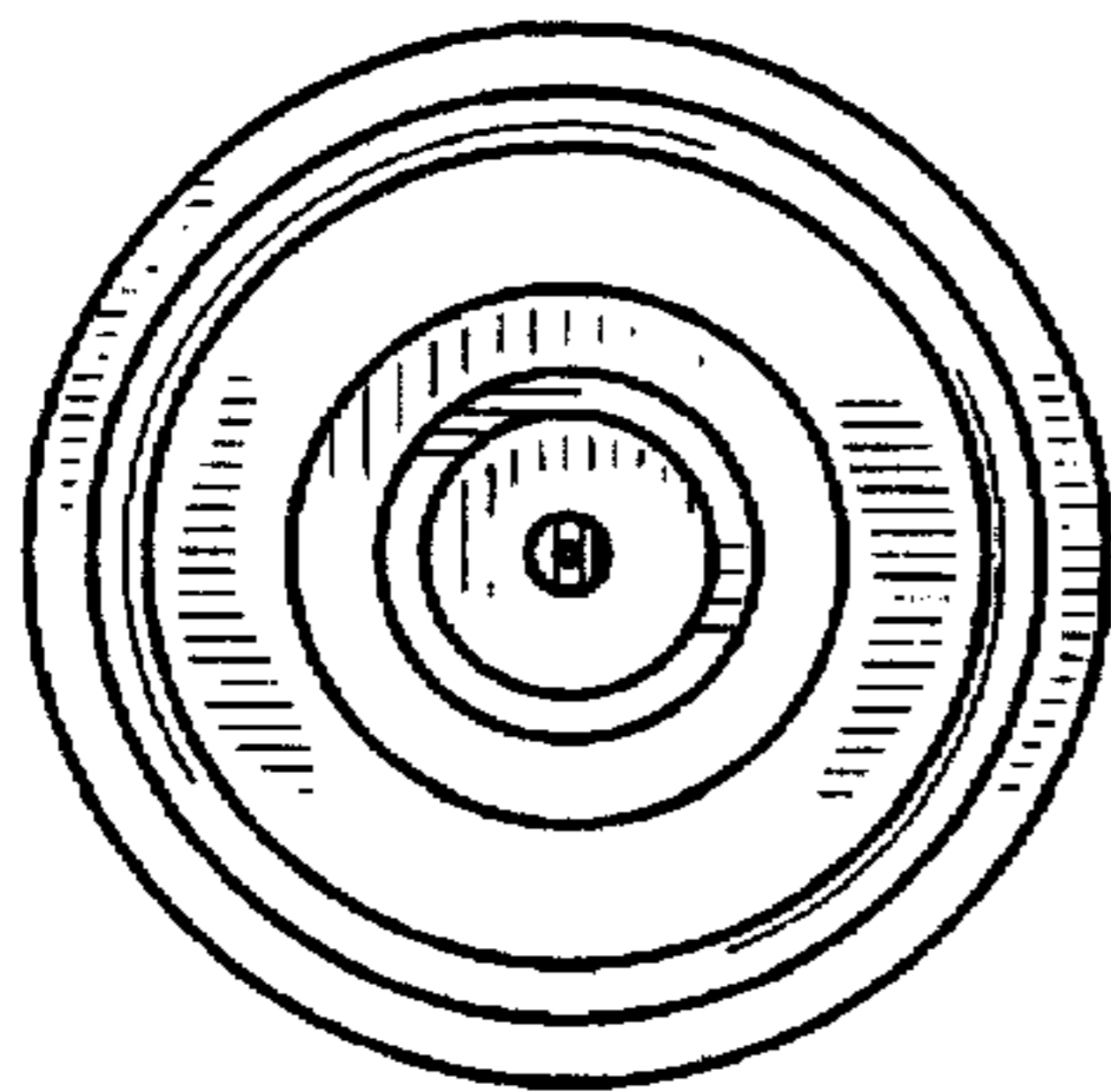


FIG. 4

