



US00D387419S

United States Patent [19]
Laguera Garza

[11] **Patent Number: Des. 387,419**
[45] **Date of Patent: **Dec. 9, 1997**

[54] **PEDESTAL LAVATORY**
[75] **Inventor: Marcelo Garza Laguera Garza,**
Irapuato, Mexico
[73] **Assignee: Procesadora de Ceramica de Mexico,**
S.A. de C.V., Mexico
[**] **Term: 14 Years**

D. 296,923 7/1988 Brossardt et al. D23/292
D. 320,967 10/1991 Kaiser D23/292

Primary Examiner—Stella Reid
Assistant Examiner—E. Watterson
Attorney, Agent, or Firm—Pravel, Hewitt, Kimball &
Krieger

[21] **Appl. No.: 58,467**
[22] **Filed: Aug. 15, 1996**
[30] **Foreign Application Priority Data**

[57] **CLAIM**
The ornamental design for a pedestal lavatory, as shown.

Feb. 15, 1996 [MX] Mexico 96/29
[51] **LOC (6) Cl. 23-02**
[52] **U.S. Cl. D23/292**
[58] **Field of Search D23/284, 287,**
D23/293, 293.1; 4/619, 624, 625, 638-650

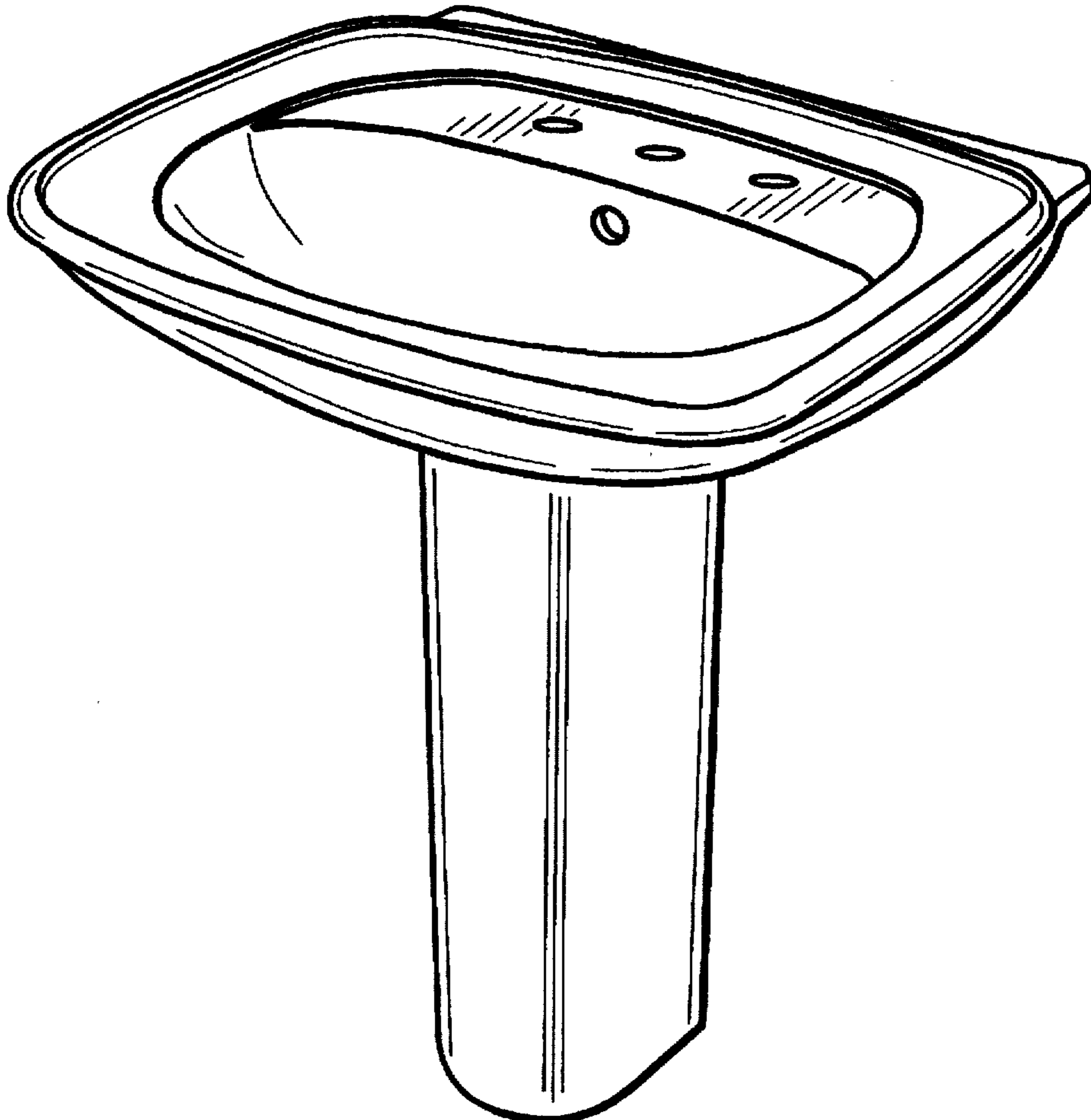
DESCRIPTION

FIG. 1 is a isometric view of a pedestal lavatory, showing my new design;
FIG. 2 is a top plan view of a pedestal lavatory, of FIG. 1;
FIG. 3 is a front elevation view of a pedestal lavatory of FIG. 1;
FIG. 4 is a left side elevation view of a pedestal lavatory of FIG. 1;
FIG. 5 is a right side elevation view of a pedestal lavatory of FIG. 1;
FIG. 6 is a bottom view of a pedestal lavatory of FIG. 1; and,
FIG. 7 is a rear elevation view of a pedestal lavatory of FIG. 1.

[56] **References Cited**
U.S. PATENT DOCUMENTS

D. 264,749 6/1982 Bengston D23/292
D. 296,357 6/1988 Brossardt et al. D23/292

1 Claim, 2 Drawing Sheets



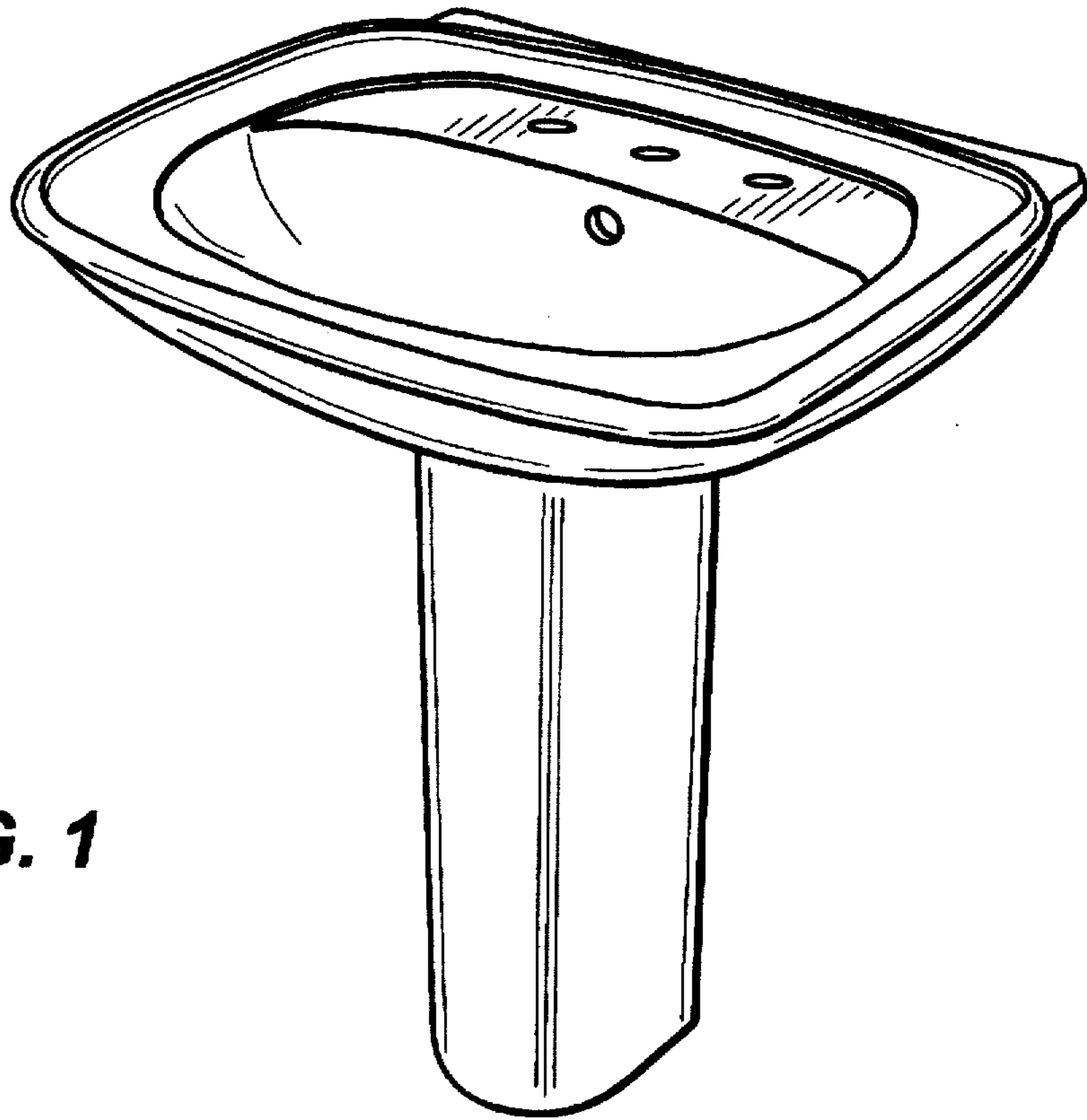


FIG. 1

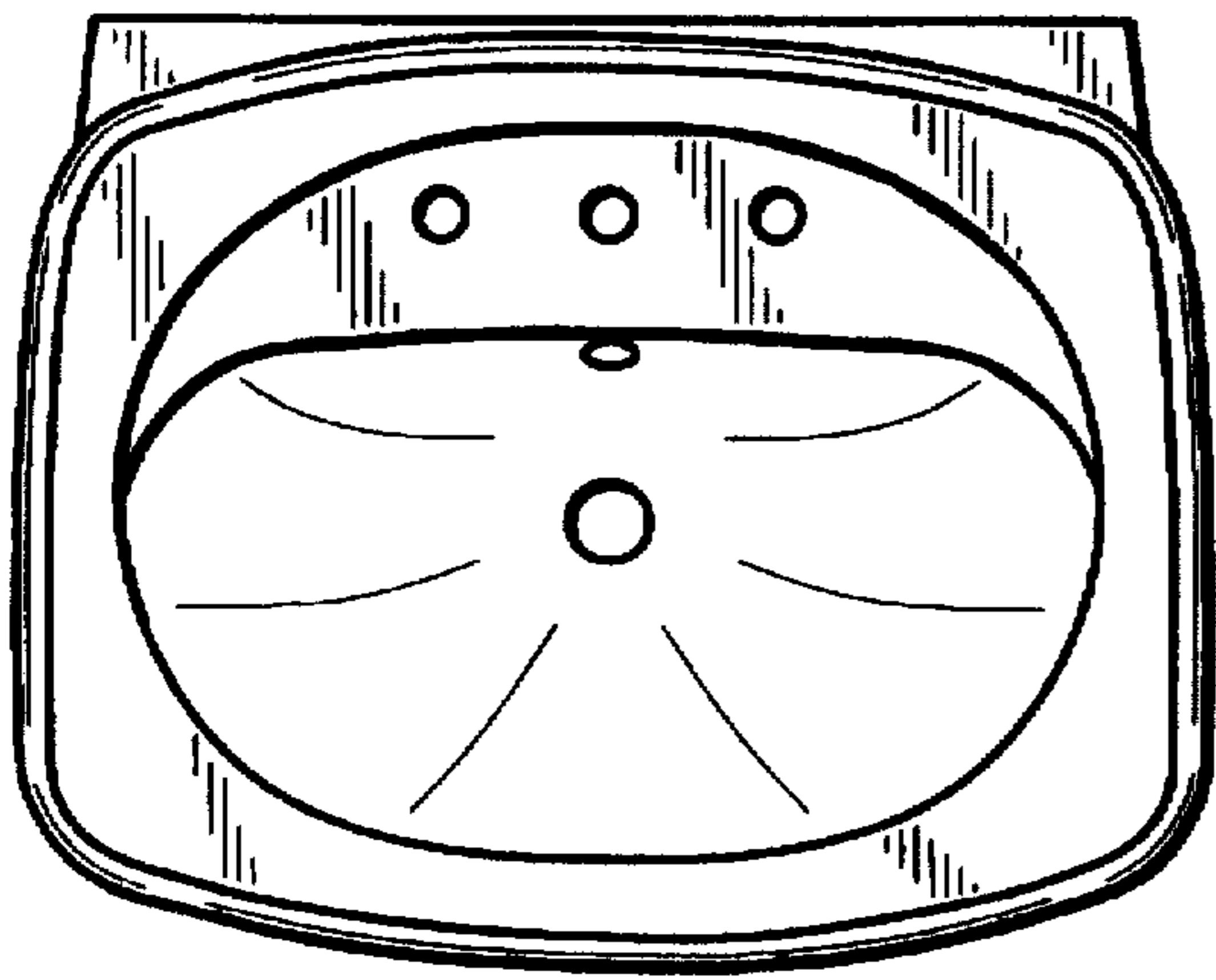


FIG. 2

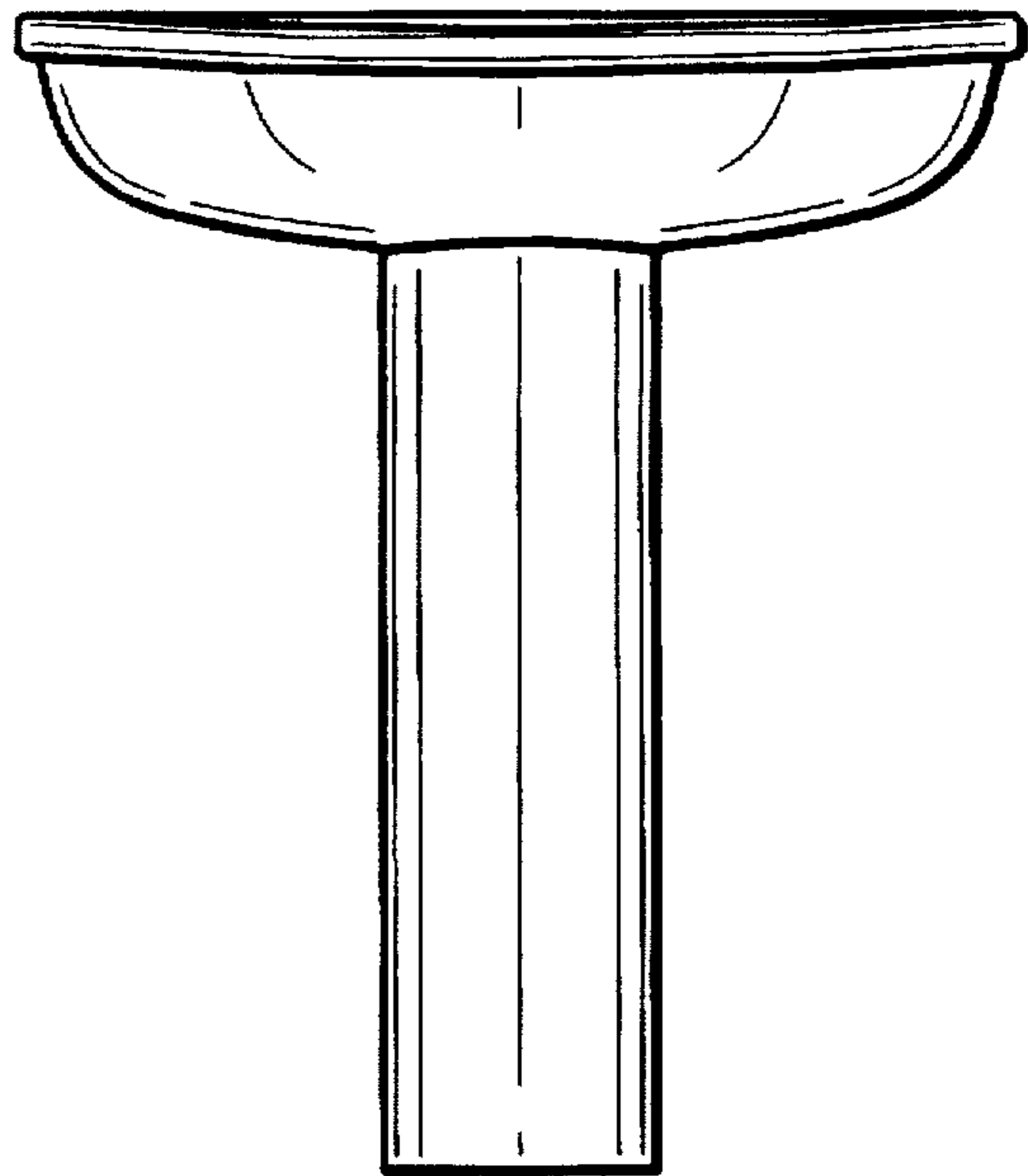


FIG. 3

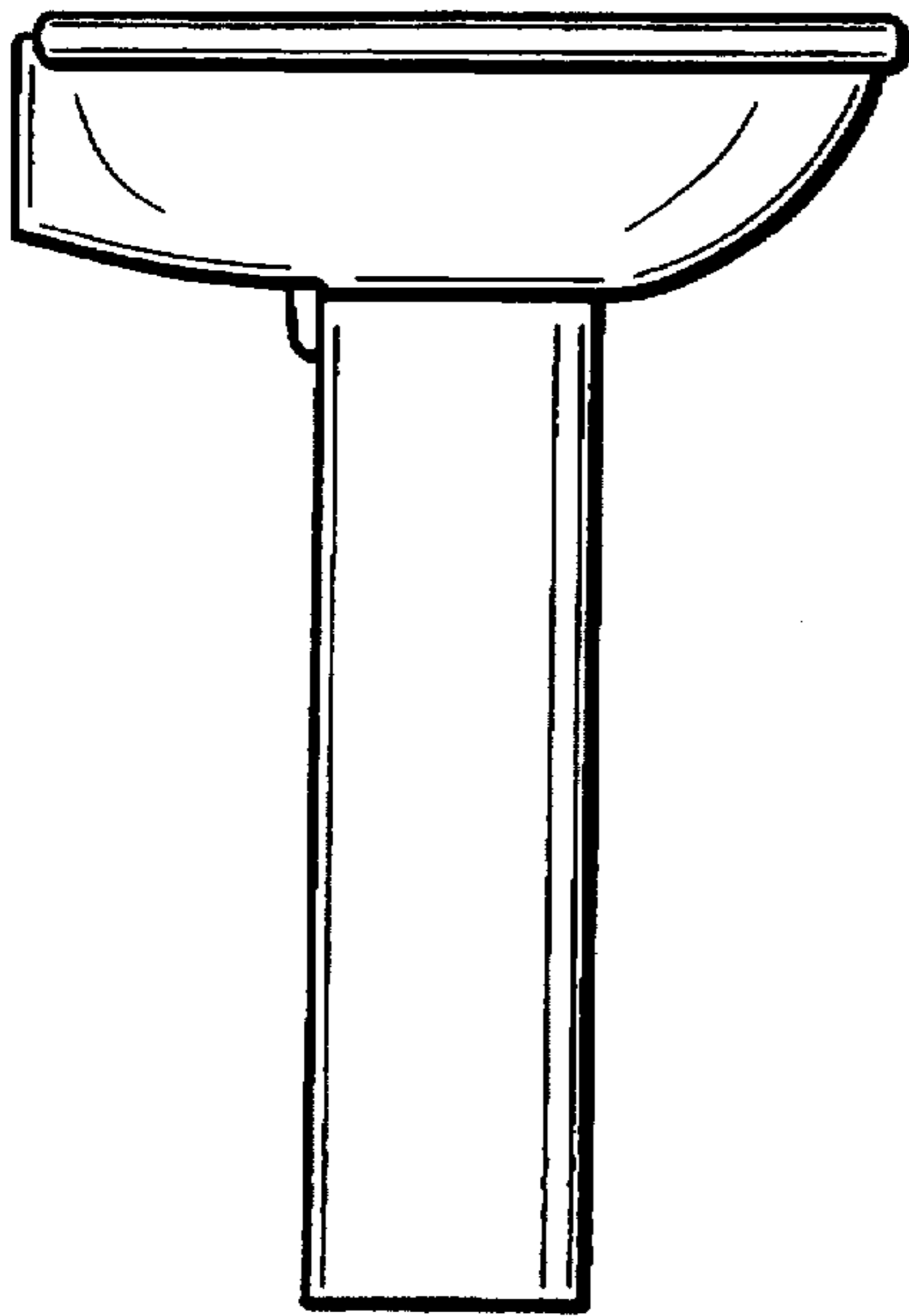


FIG. 4

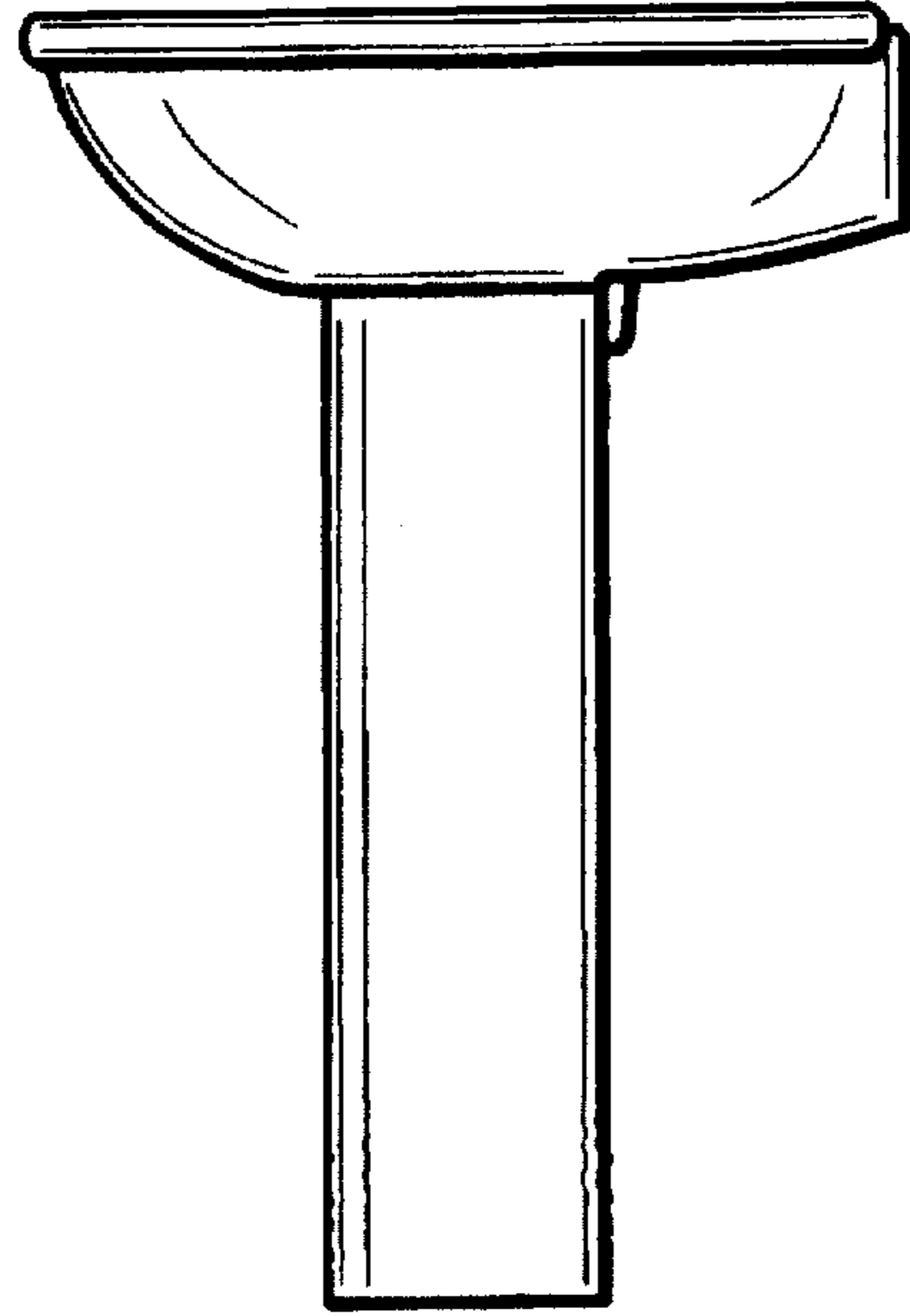


FIG. 5

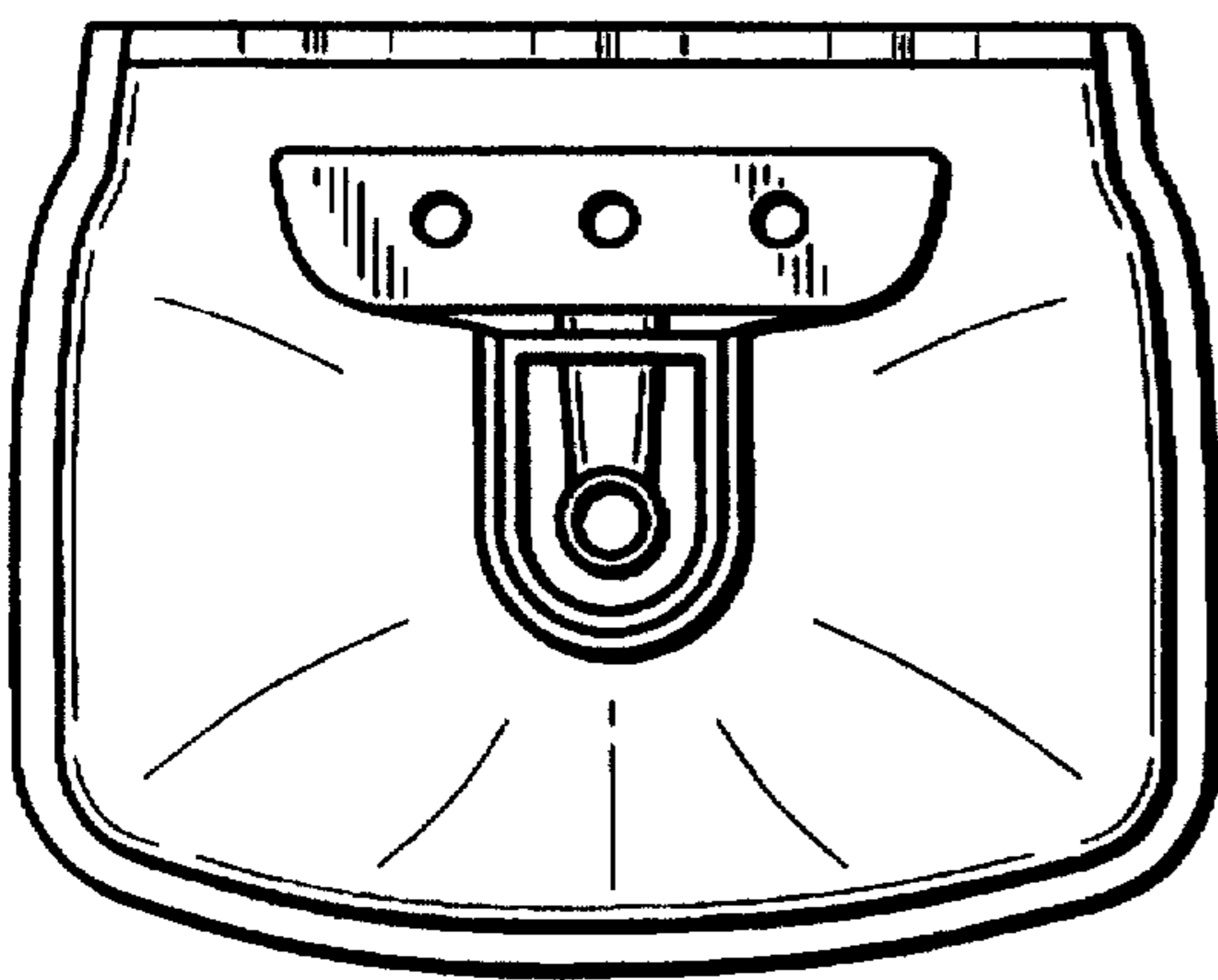


FIG. 6

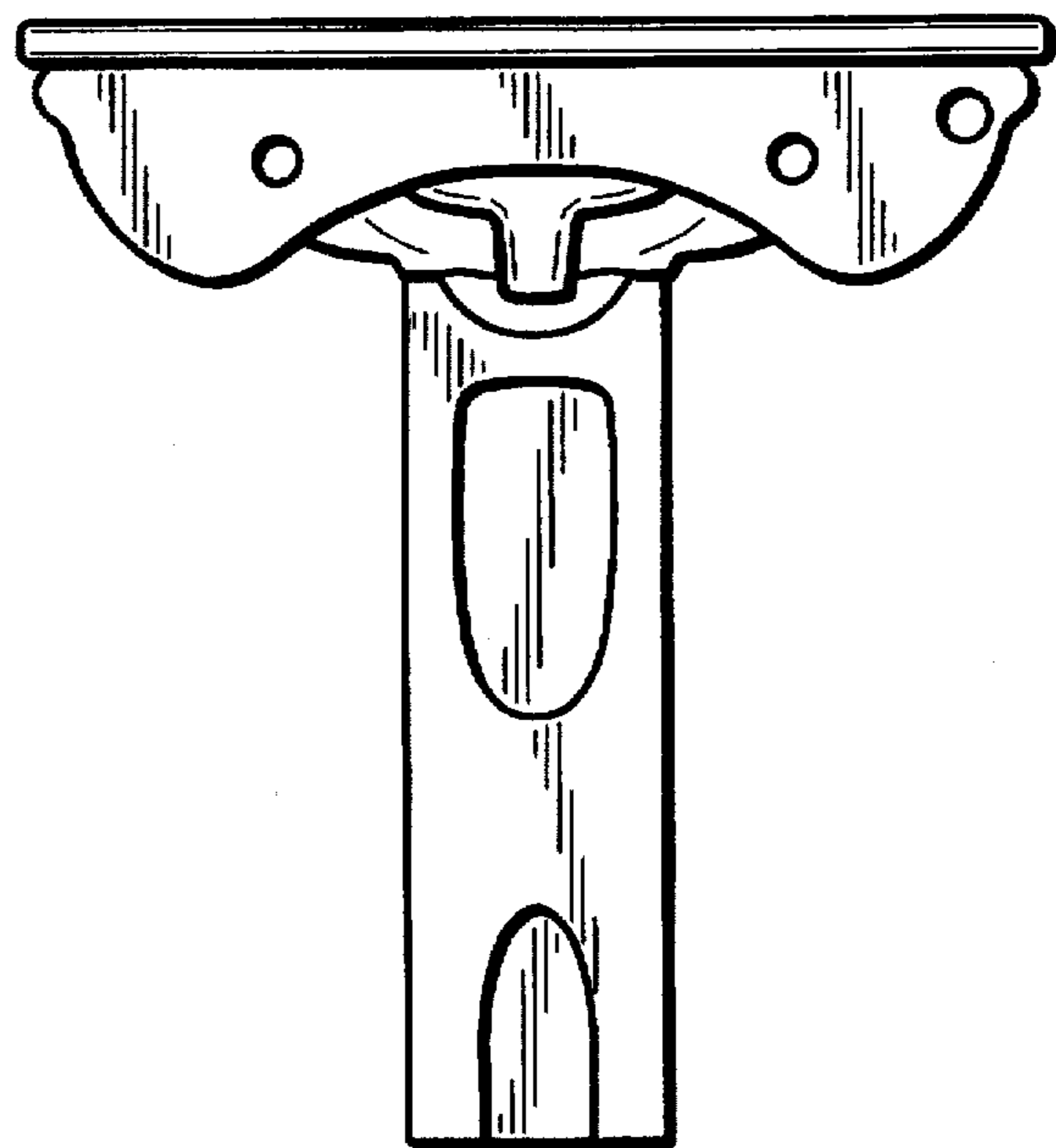


FIG. 7