



US00D387417S

United States Patent [19]

Doughty et al.

[11] Patent Number: **Des. 387,417**

[45] Date of Patent: ****Dec. 9, 1997**

[54] FAUCET BODY

[75] Inventors: **Frederic C. Doughty**, South Pasadena;
Darren M. Mark, Valencia, both of Calif.

[73] Assignee: **Emhart Inc.**, Newark, Del.

[**] Term: **14 Years**

[21] Appl. No.: **67,504**

[22] Filed: **Mar. 5, 1997**

[51] LOC (6) CL **23-01**

[52] U.S. Cl. **D23/243**

[58] Field of Search **D23/238-243,**
D23/250-257; 4/675-678; 137/801

[56] **References Cited**

U.S. PATENT DOCUMENTS

- D. 219,779 1/1971 Tiller D23/238
- D. 324,905 3/1992 Caretien D23/238
- D. 344,127 2/1994 Carr et al. D23/238

- D. 364,211 11/1995 Hill et al. D23/238
- D. 367,750 3/1996 Hill et al. D23/255

Primary Examiner—Louis S. Zarfes
Assistant Examiner—Eric Watterson
Attorney, Agent, or Firm—Harold Weinstein

[57] **CLAIM**

The ornamental design for a faucet body, as shown and described.

DESCRIPTION

FIG. 1 is a perspective view of our new design of a faucet body;
FIG. 2 is a front view of our new design of the faucet body;
FIG. 3 is a rear view of our new design of the faucet body;
FIG. 4 is a right side view of our new design of the faucet body, a left side view thereof being a mirror image of the right side view;
FIG. 5 is a top view of our new design of the faucet body; and,
FIG. 6 is a bottom view of our new design of the faucet body.

1 Claim, 3 Drawing Sheets

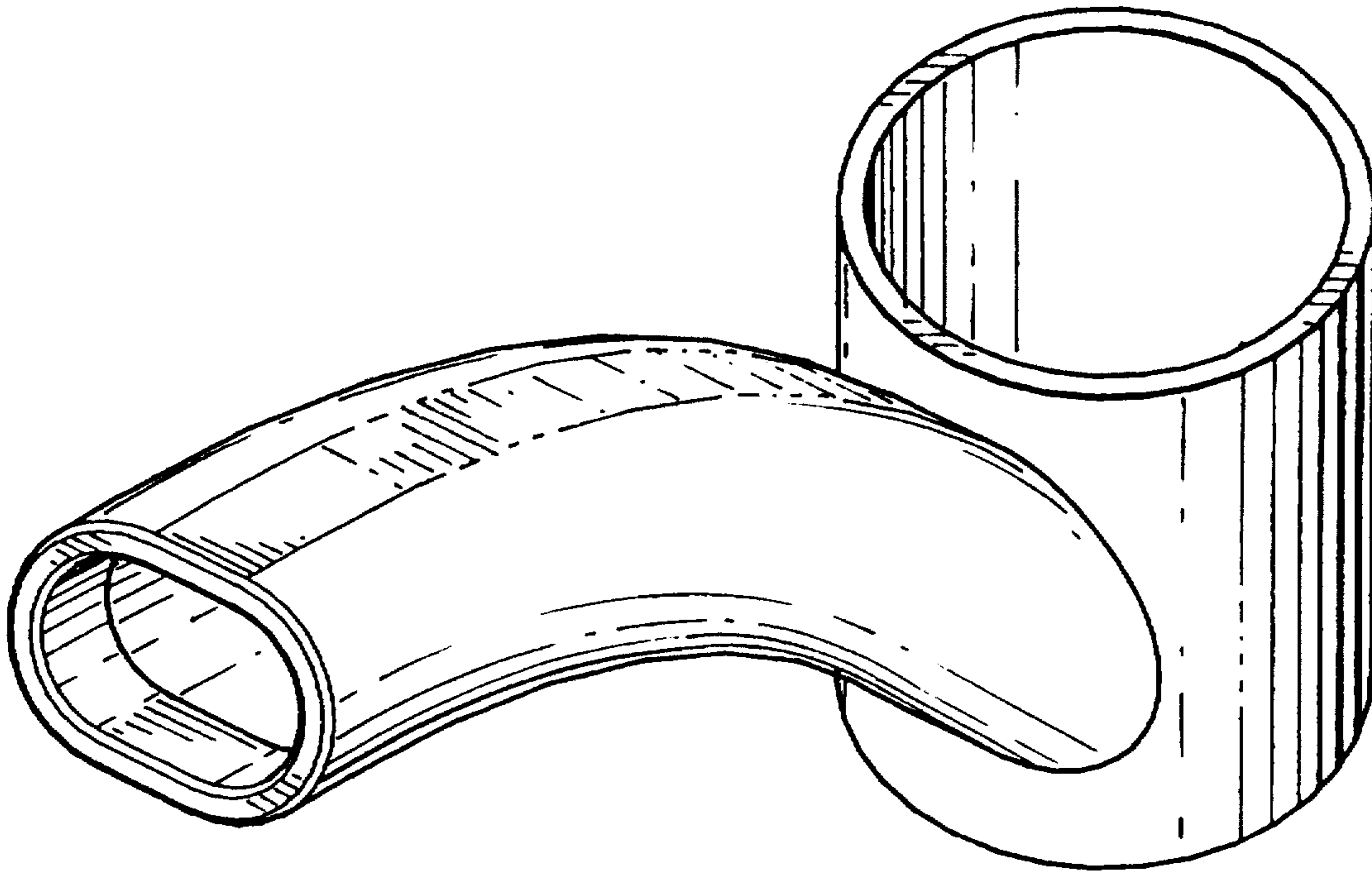


FIG. 1

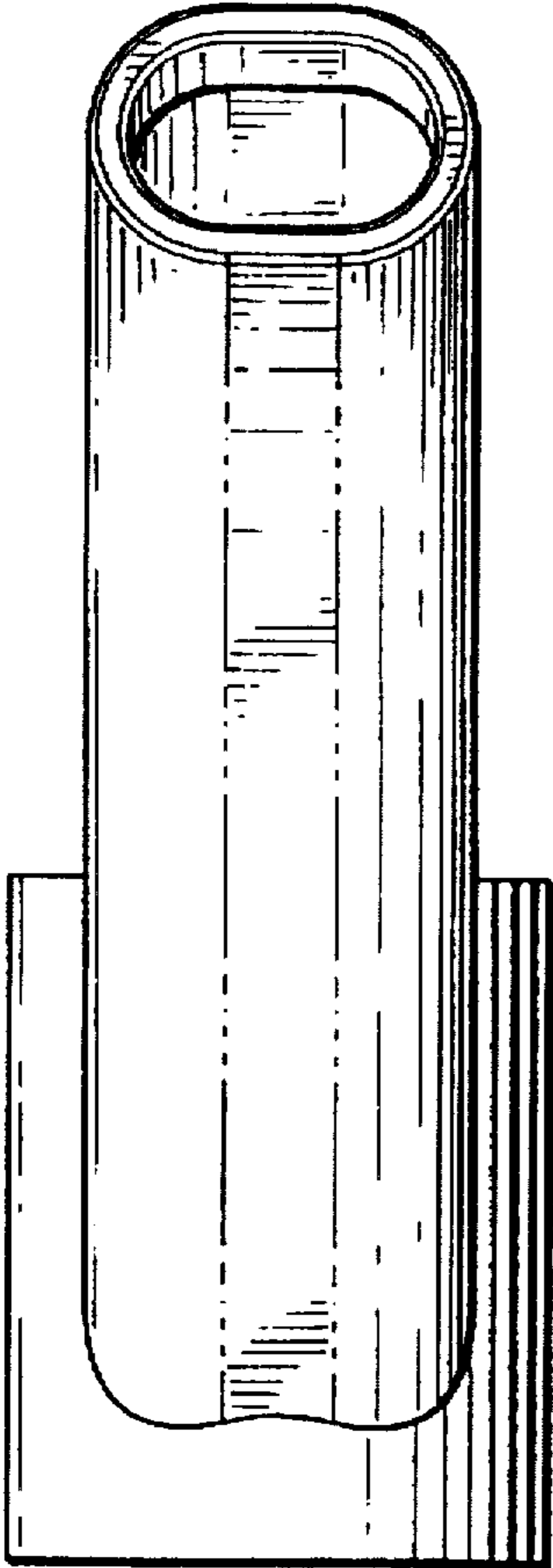
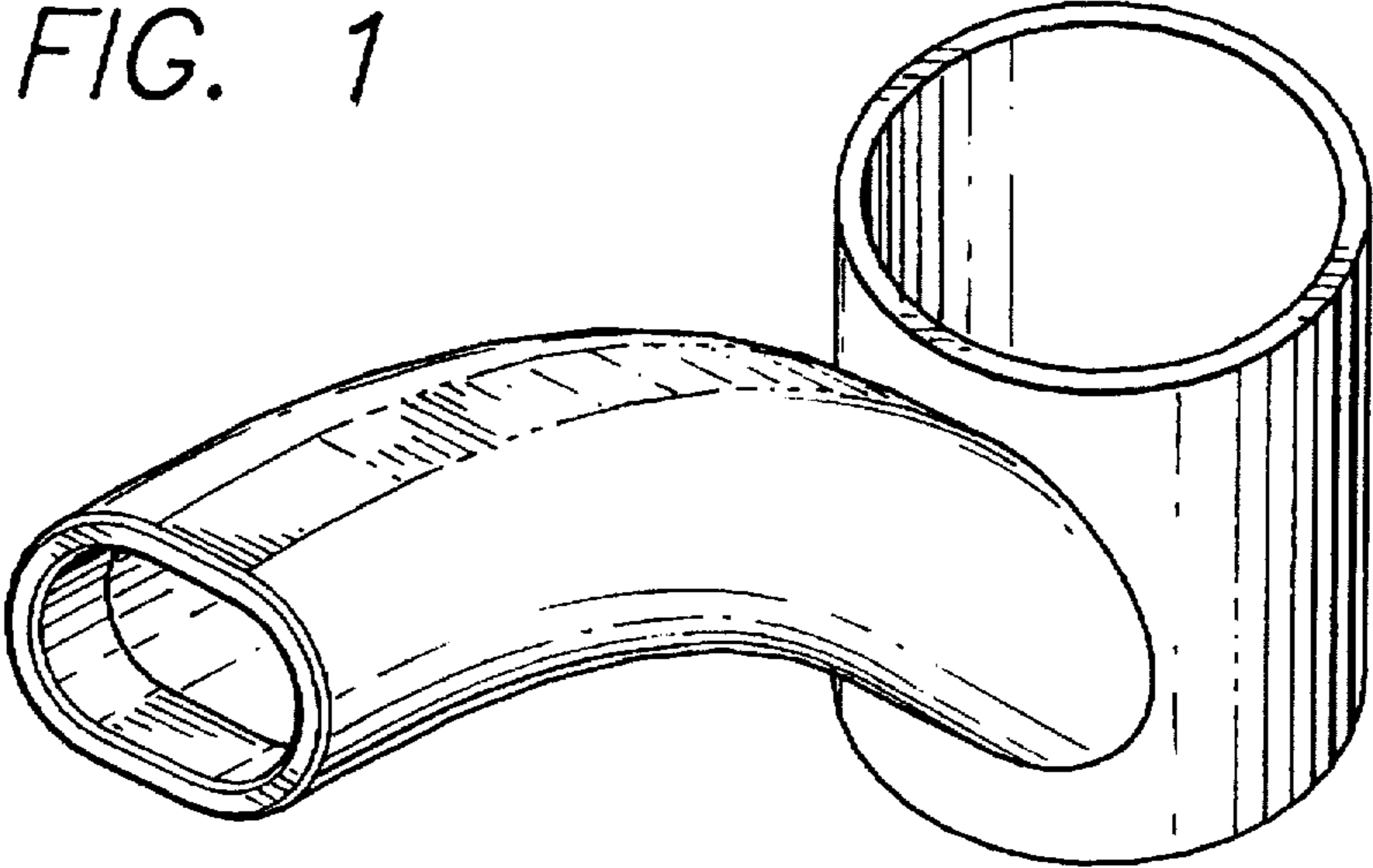


FIG. 2

FIG. 3

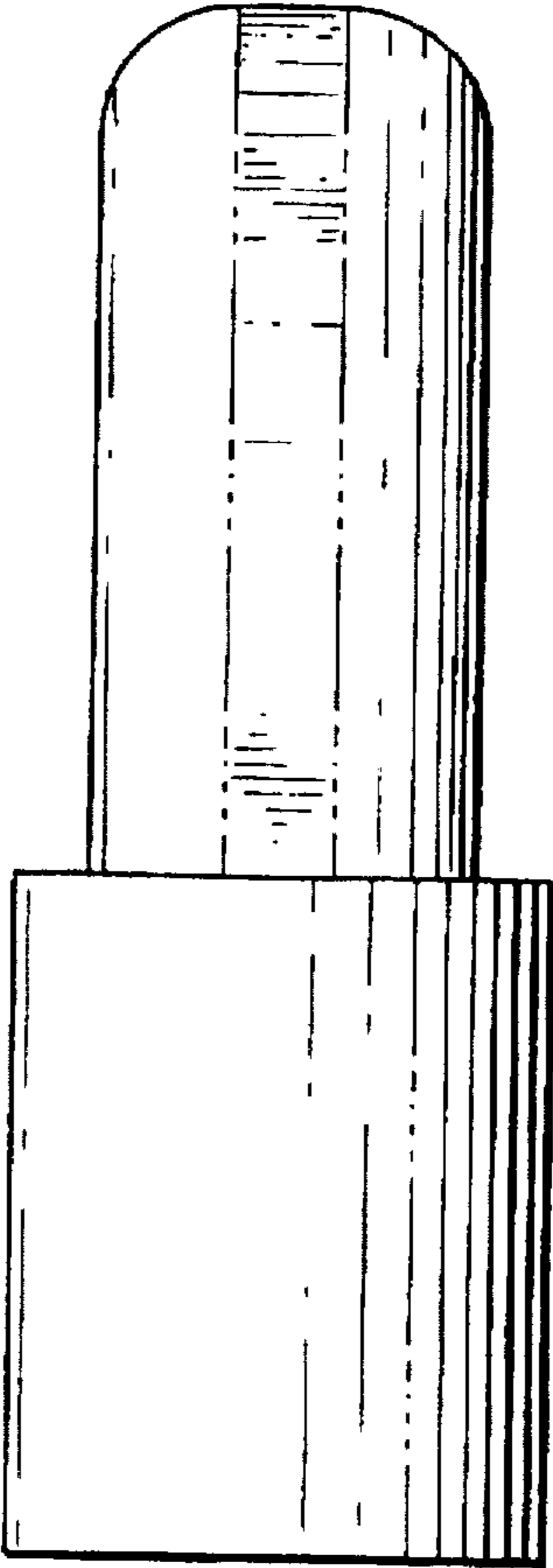
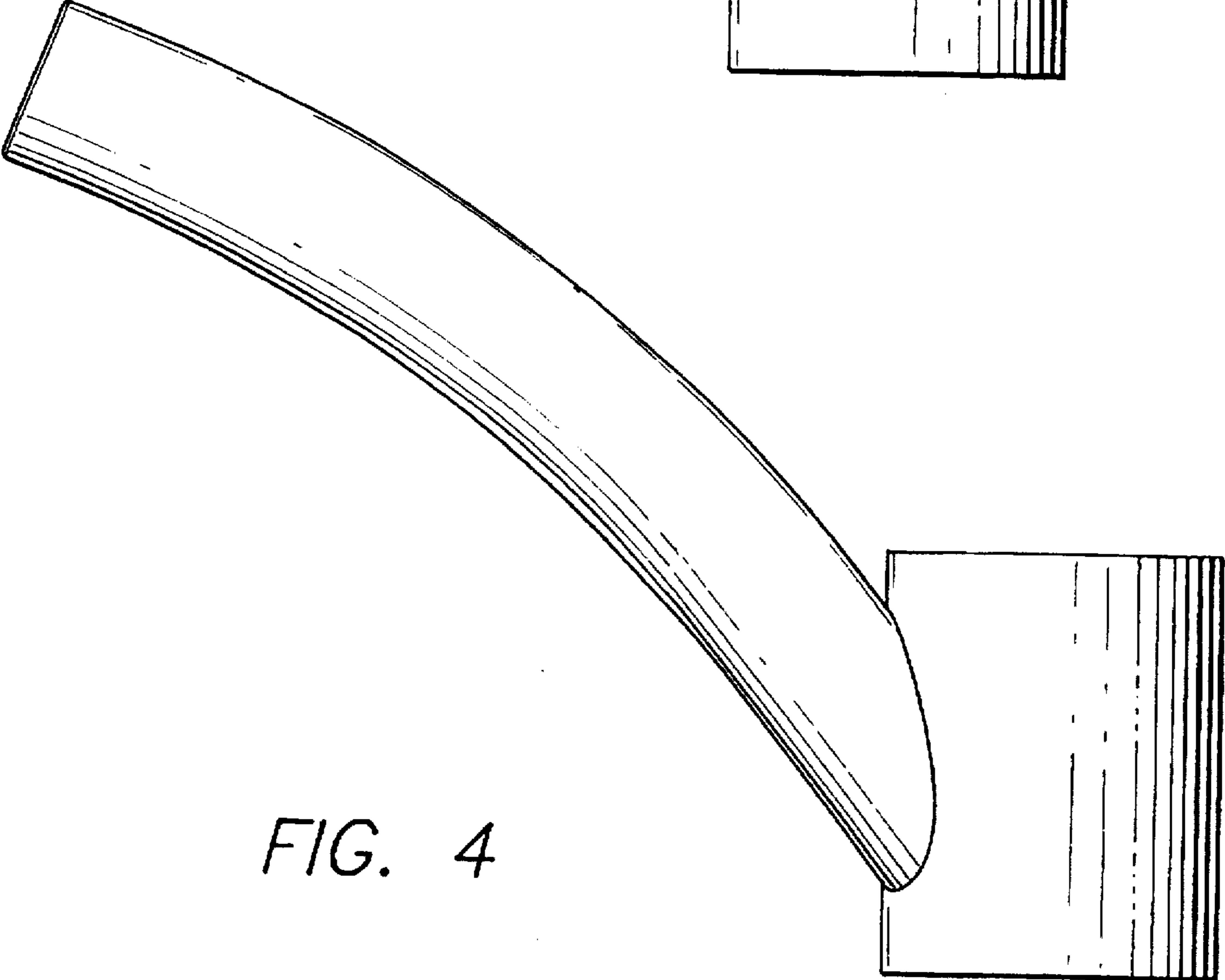


FIG. 4



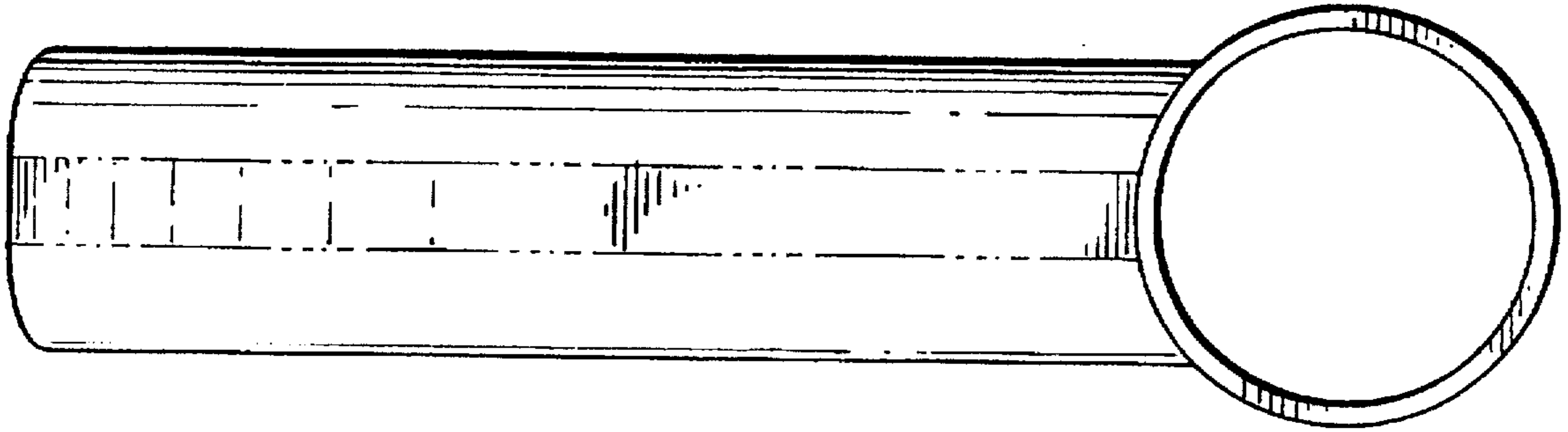


FIG. 6

FIG. 5

