



US00D387415S

# United States Patent [19]

Oswaks et al.

[11] Patent Number: **Des. 387,415**

[45] Date of Patent: **\*\*Dec. 9, 1997**

[54] FAUCET

[75] Inventors: **Jonathan Oswaks, Westlake Village;  
Jean-Pierre Durand, Los Angeles;  
Peter Y. Carris, Pasadena, all of Calif.**

[73] Assignee: **Emhart Inc., Newark, Del.**

[\*\*] Term: **14 Years**

[21] Appl. No.: **58,203**

[22] Filed: **Aug. 9, 1996**

[51] LOC (6) Cl. .... **23-01**

[52] U.S. Cl. .... **D23/238**

[58] Field of Search ..... **D23/238-243,  
D23/250-257; 4/675-678; 137/137; 16/110 R,  
118, 121, 123, 125**

- D. 325,423 4/1992 Kolada et al. .
- D. 325,424 4/1992 Dannenberg .
- D. 326,139 5/1992 Ragonot .
- D. 348,307 6/1994 Gottwald .
- D. 348,508 7/1994 Yost ..... D23/238
- D. 349,153 7/1994 Sauter et al. .
- D. 355,955 2/1995 Chretien .
- D. 358,866 5/1995 Haug et al. .
- D. 362,489 9/1995 Moon .
- D. 366,519 1/1996 Lobermeier .
- D. 367,919 3/1996 Lobermeier .
- D. 369,208 4/1996 Doughty et al. .
- 5,031,657 7/1991 Stairs .

*Primary Examiner*—Louis S. Zarfes  
*Assistant Examiner*—Eric Watterson  
*Attorney, Agent, or Firm*—J. Bruce Hoofnagle

## [57] CLAIM

The ornamental design for faucet, as shown and described.

## DESCRIPTION

FIG. 1 is a perspective view of our new design of a faucet; FIG. 2 is a front elevational view of our new design of the faucet; FIG. 3 is a rear elevational view of our new design of the faucet; FIG. 4 is a right side elevational view of our new design of the faucet; the left side elevational view of our new design of the faucet being a mirror image of the right side elevational view; FIG. 5 is a top plan view of our new design of the faucet; and, FIG. 6 is a bottom plan view of our new design of the faucet.

**1 Claim, 3 Drawing Sheets**

## [56] References Cited

### U.S. PATENT DOCUMENTS

- D. 193,757 10/1962 Armstrong .
- D. 193,922 10/1962 Ross et al. .
- D. 204,441 4/1966 Harvey ..... D23/238
- D. 219,780 1/1971 Niemann ..... D23/238
- D. 291,234 8/1987 Bergmann .
- D. 291,590 8/1987 Bengtsson .
- D. 293,599 1/1988 Bergmann .
- D. 297,357 8/1988 Spangler .
- D. 301,162 5/1989 Oberdorfer .
- D. 309,655 7/1990 Reinecke .
- D. 310,257 8/1990 Spangler .
- D. 323,377 1/1992 Haug et al. .
- D. 323,877 2/1992 Haug et al. .... D23/238
- D. 324,723 3/1992 Chretien .

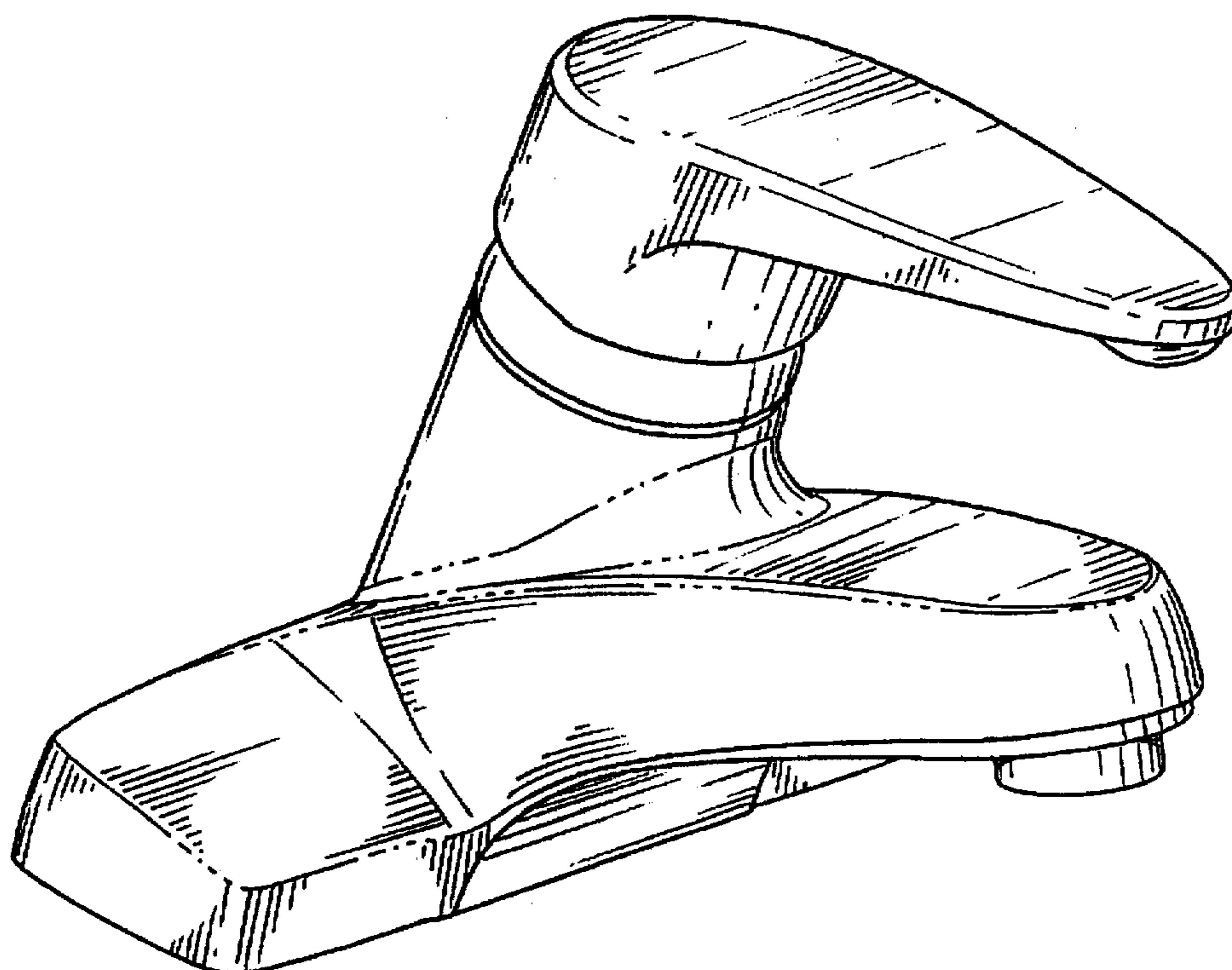


FIG. 1

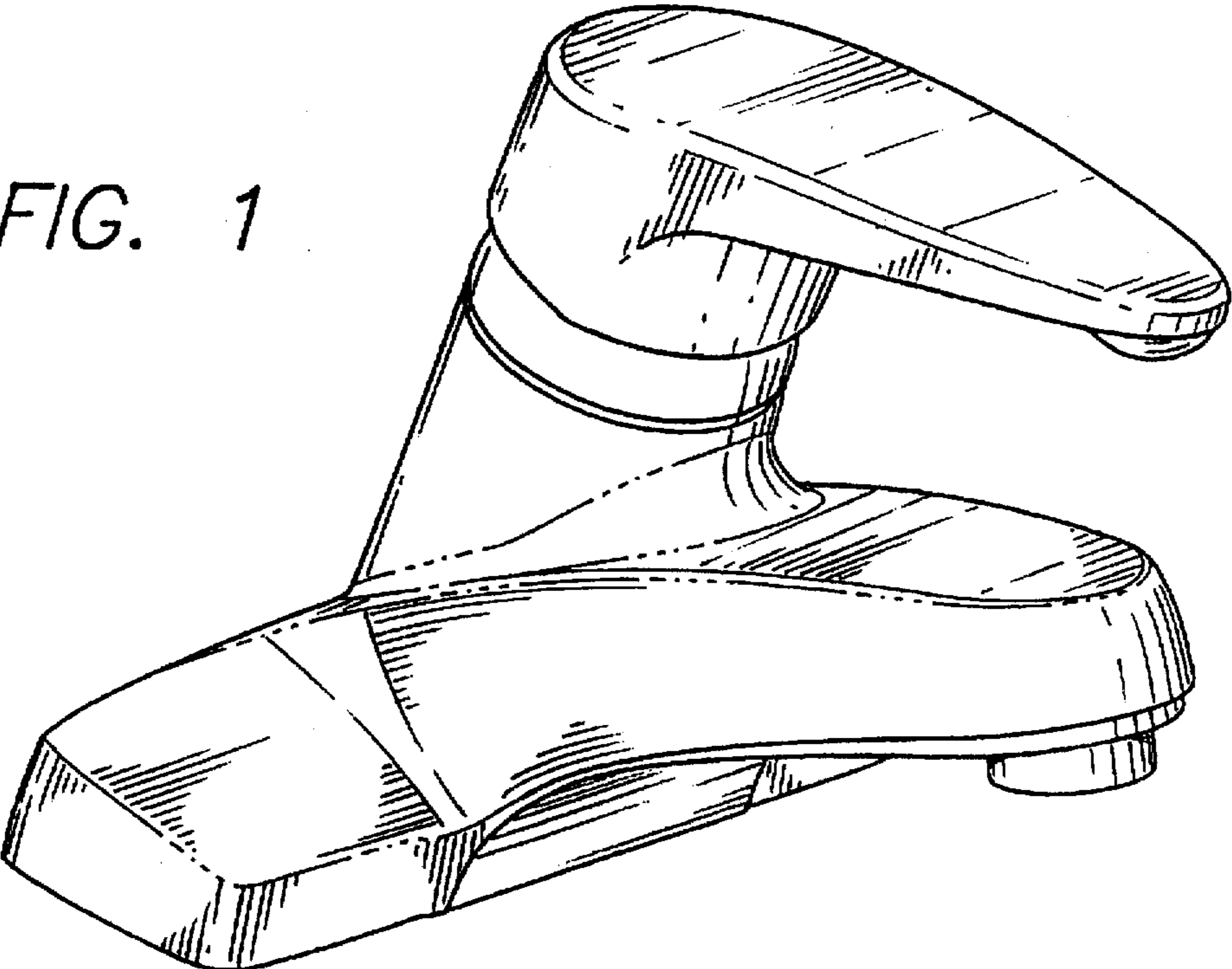
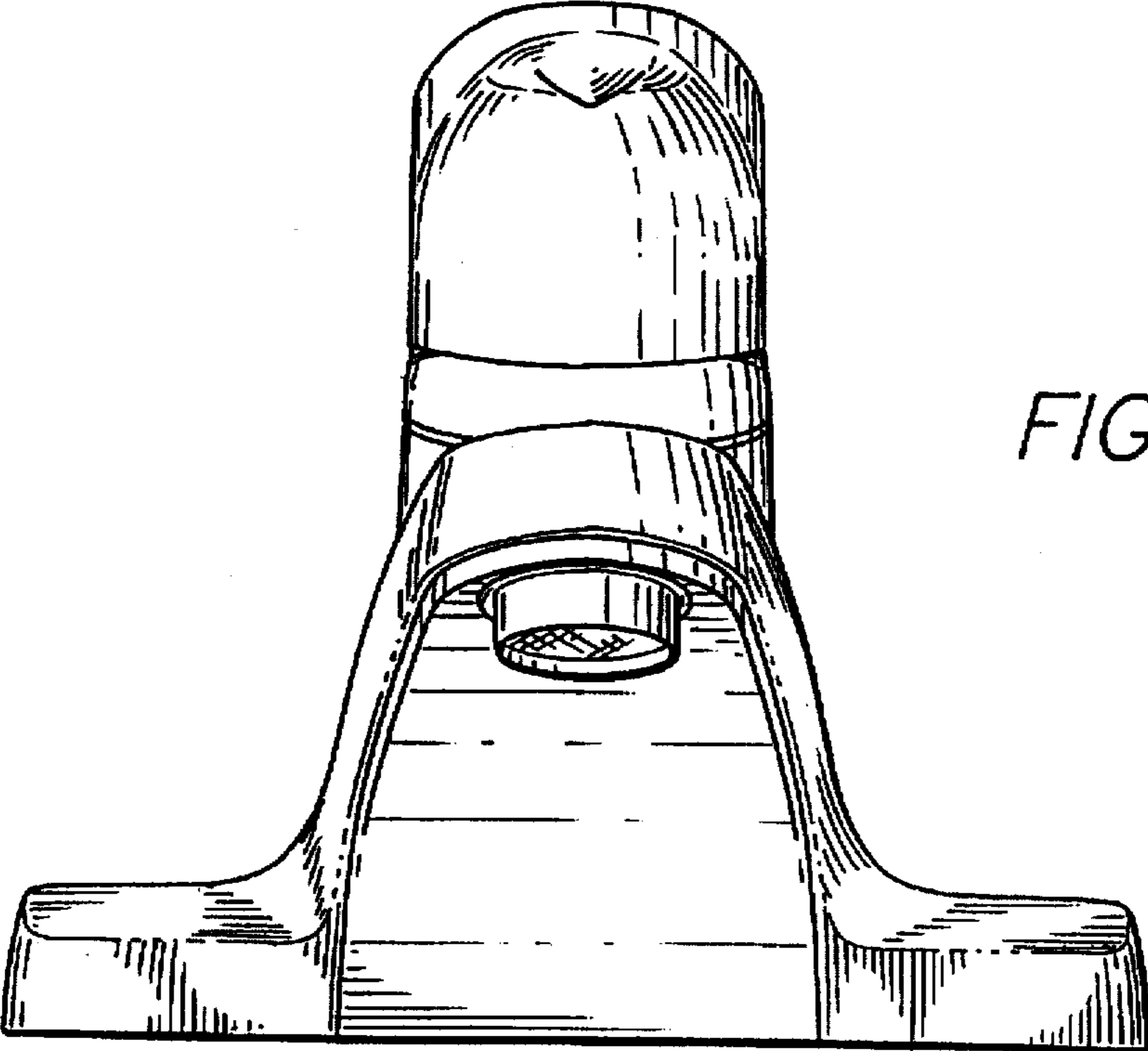


FIG. 2



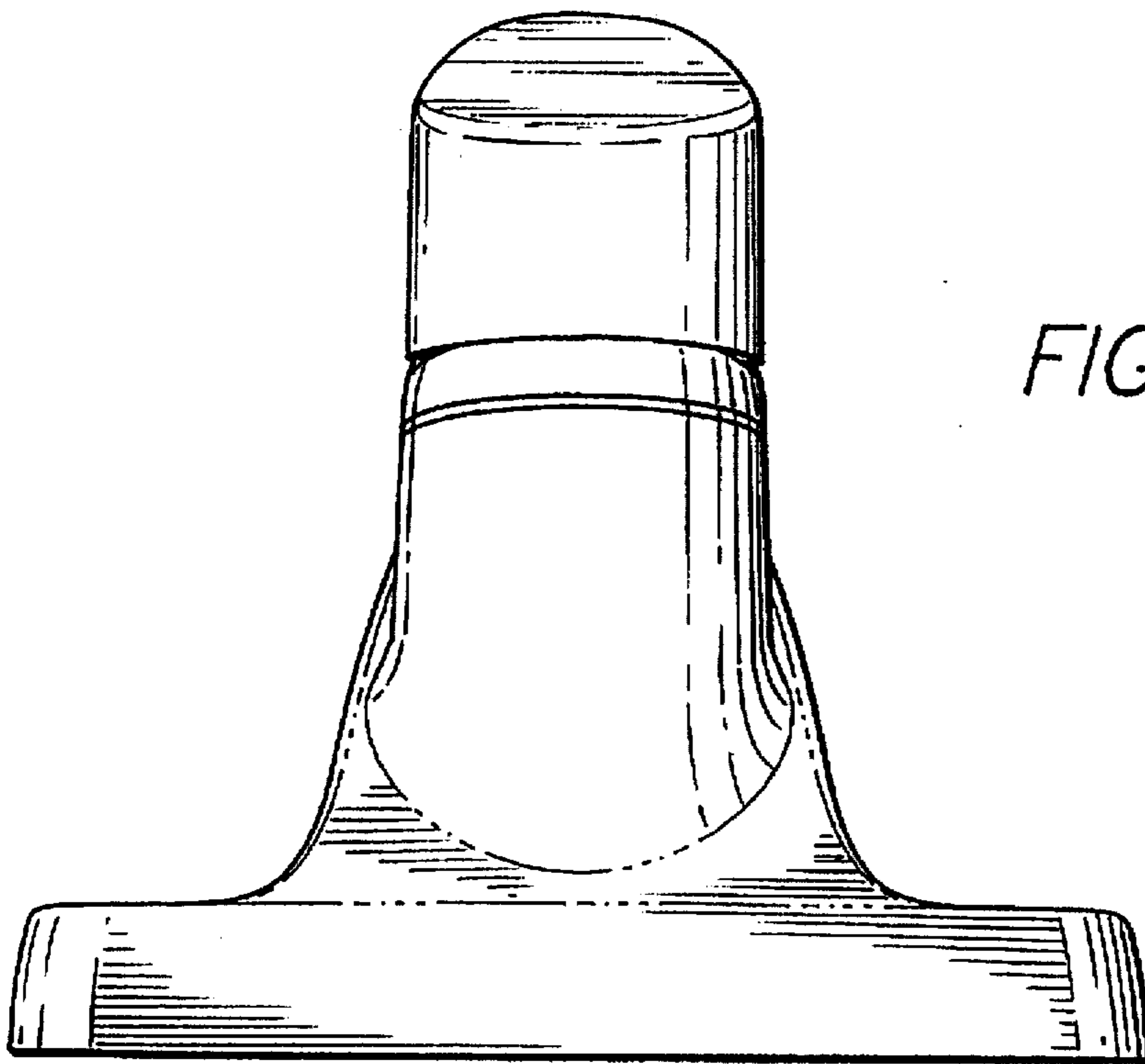


FIG. 3

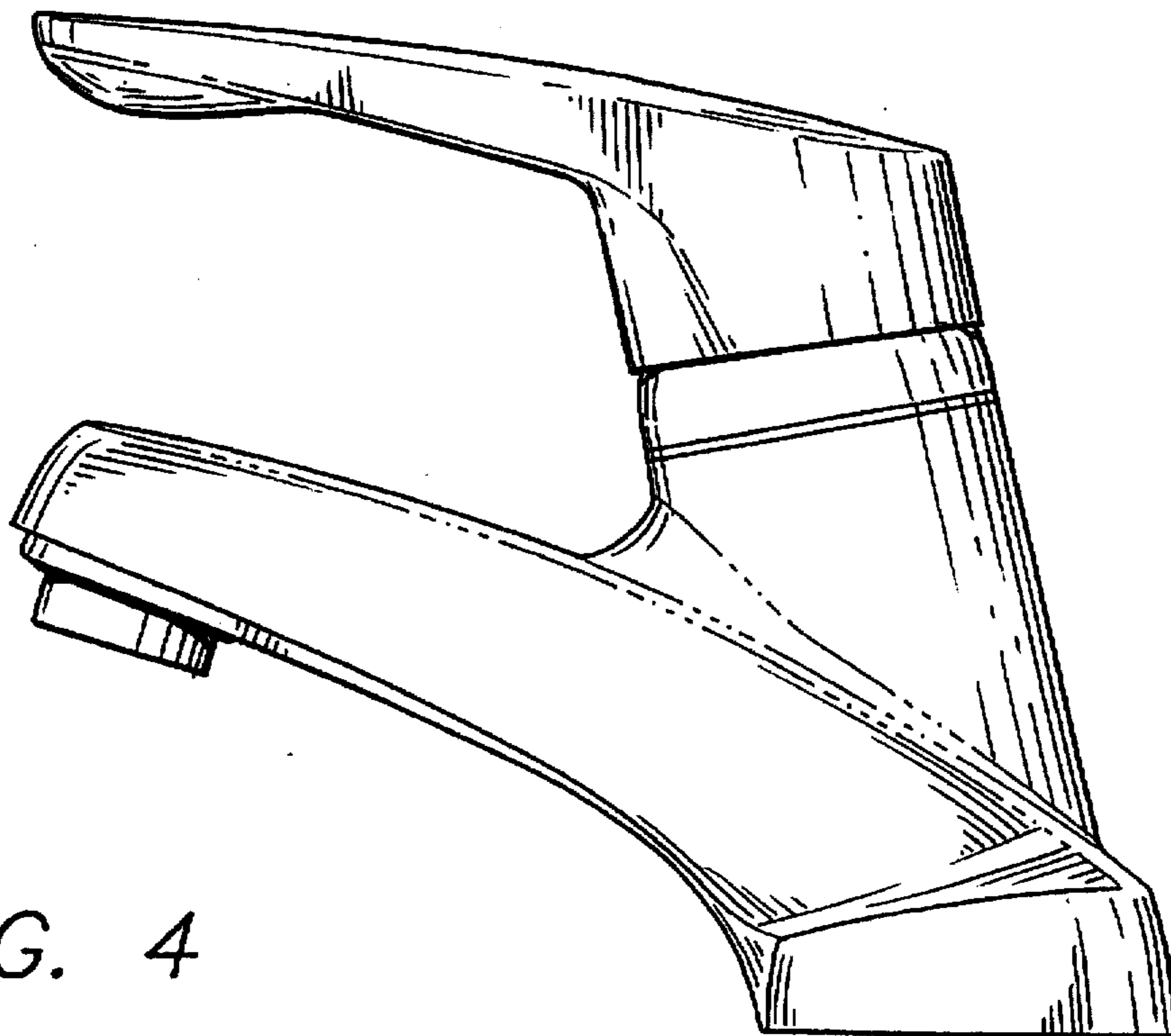


FIG. 4

FIG. 6

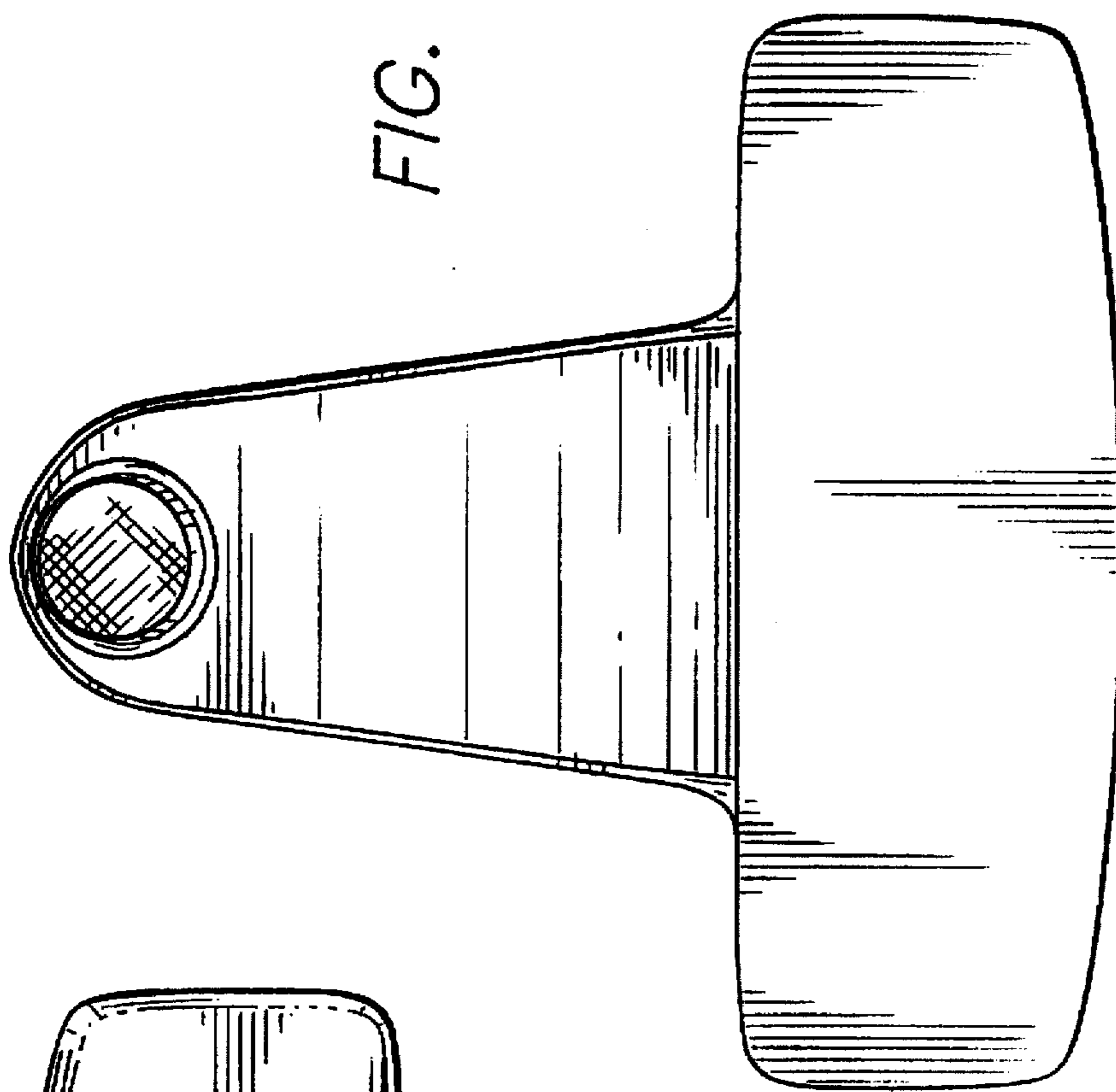


FIG. 5

