

US00D387414S

United States Patent [19]

Kieffer et al.

[11] **Patent Number: Des. 387,414**

[45] **Date of Patent: ***Dec. 9, 1997**

[54] **SPRAY GUN**

[75] **Inventors: Joseph W. Kieffer; Scott R. Carpenter, both of Rogers; Andrew L. Von Duyke, Minnetonka, all of Minn.**

[73] **Assignee: Wagner Spray Tech Corporation, Minneapolis, Minn.**

[*] **Notice: The portion of the term of this patent subsequent to Dec. 17, 2010, has been disclaimed.**

[**] **Term: 14 Years**

[21] **Appl. No.: 46,957**

[22] **Filed: Nov. 22, 1995**

[51] **LOC (6) CL. 23-01**

[52] **U.S. CL. D23/223**

[58] **Field of Search D23/213, 223-230; 239/301, 332, 394, 525-8, 690-1, 700-1, 414-5, 460-2, 390-1, 380-3**

[56] **References Cited**

U.S. PATENT DOCUMENTS

D. 212,153 9/1968 Wagner D23/226

D. 252,097 6/1979 Probst et al. D23/226
D. 356,855 3/1995 Gabauer et al. D23/223
4,427,153 1/1984 Schaefer 239/415

OTHER PUBLICATIONS

#24A Gunjet p. 3, Spraying Systems Co. Bulletin 121, Oct. 1963.

Primary Examiner—A. Hugo Word
Assistant Examiner—Robin V. Taylor
Attorney, Agent, or Firm—Faegre & Benson

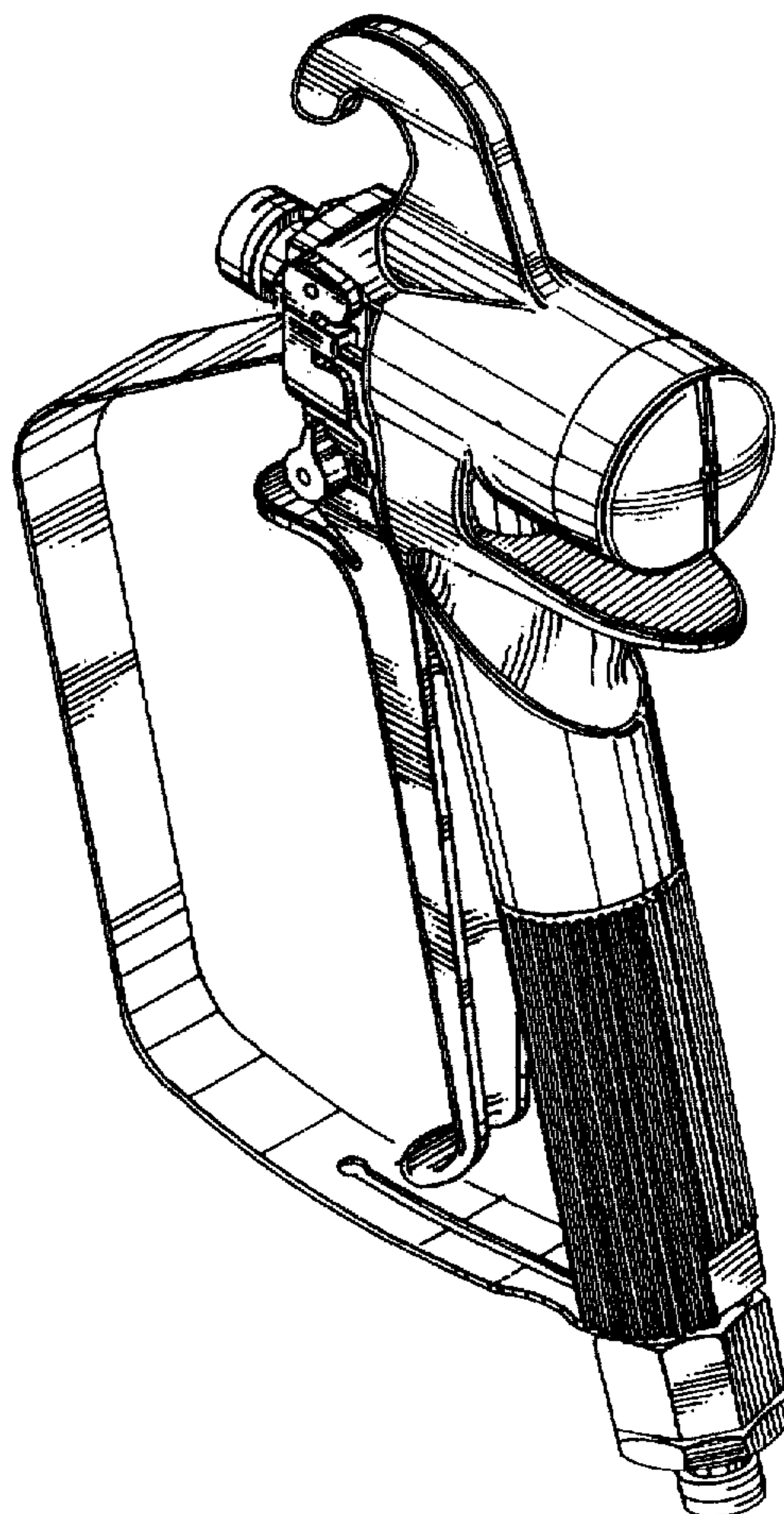
[57] **CLAIM**

The ornamental design for a spray gun, as shown.

DESCRIPTION

FIG. 1 is a perspective view of the spray gun of the present invention;
FIG. 2 is a top plan view thereof;
FIG. 3 is a bottom plan view thereof;
FIG. 4 is a front elevation view thereof;
FIG. 5 is a side elevation view thereof;
FIG. 6 is a rear elevation view thereof; and,
FIG. 7 is a side elevational view thereof, opposite the side in FIG. 5.

1 Claim, 3 Drawing Sheets



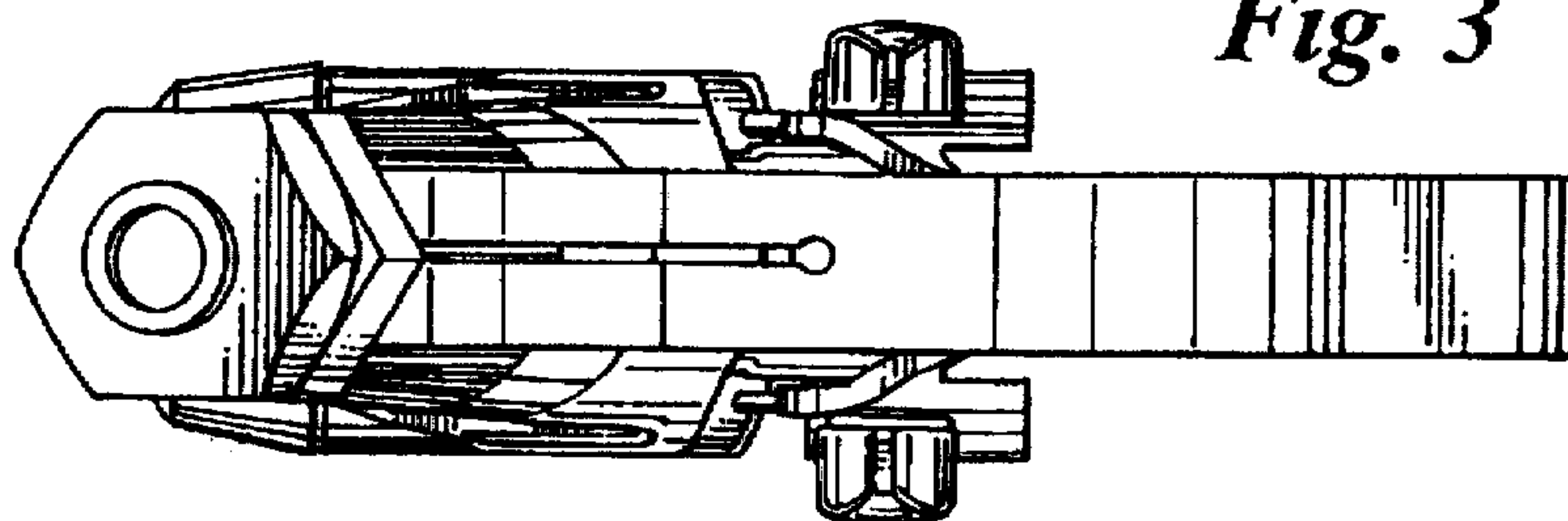
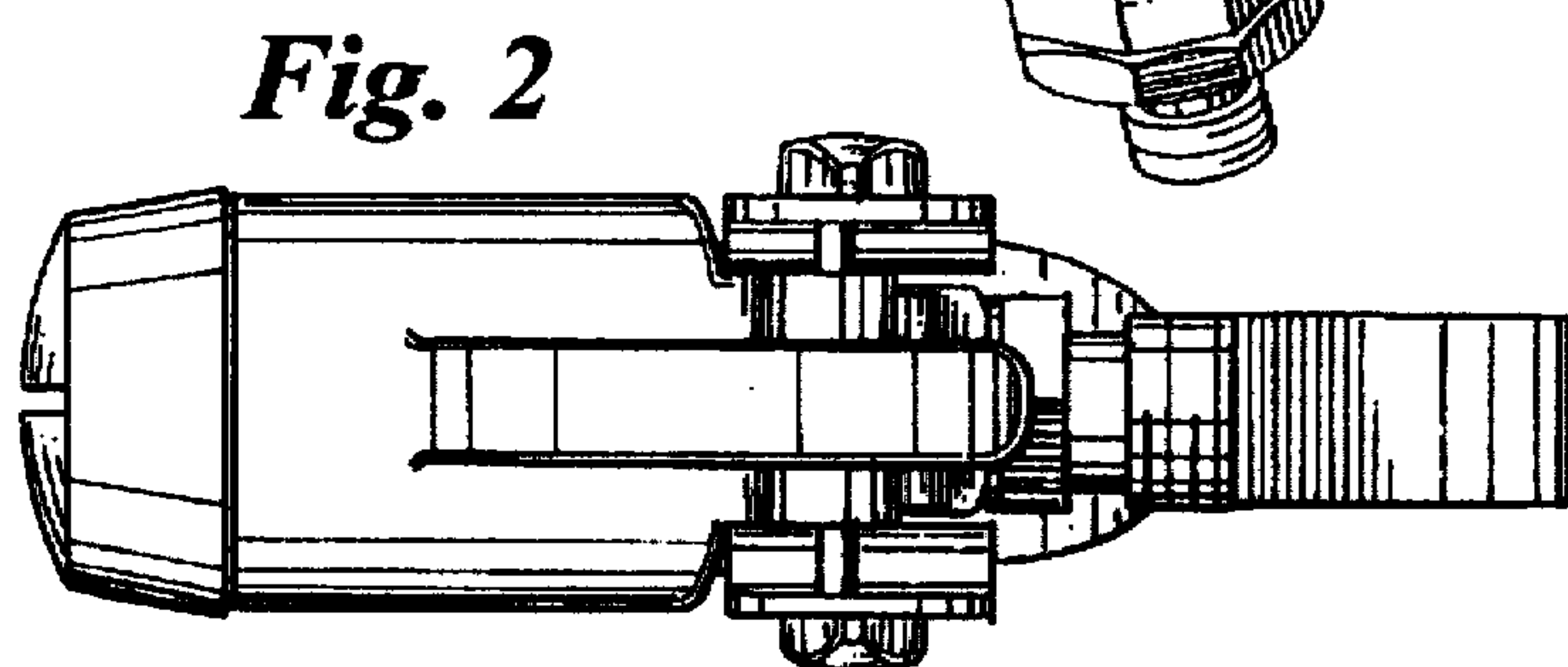
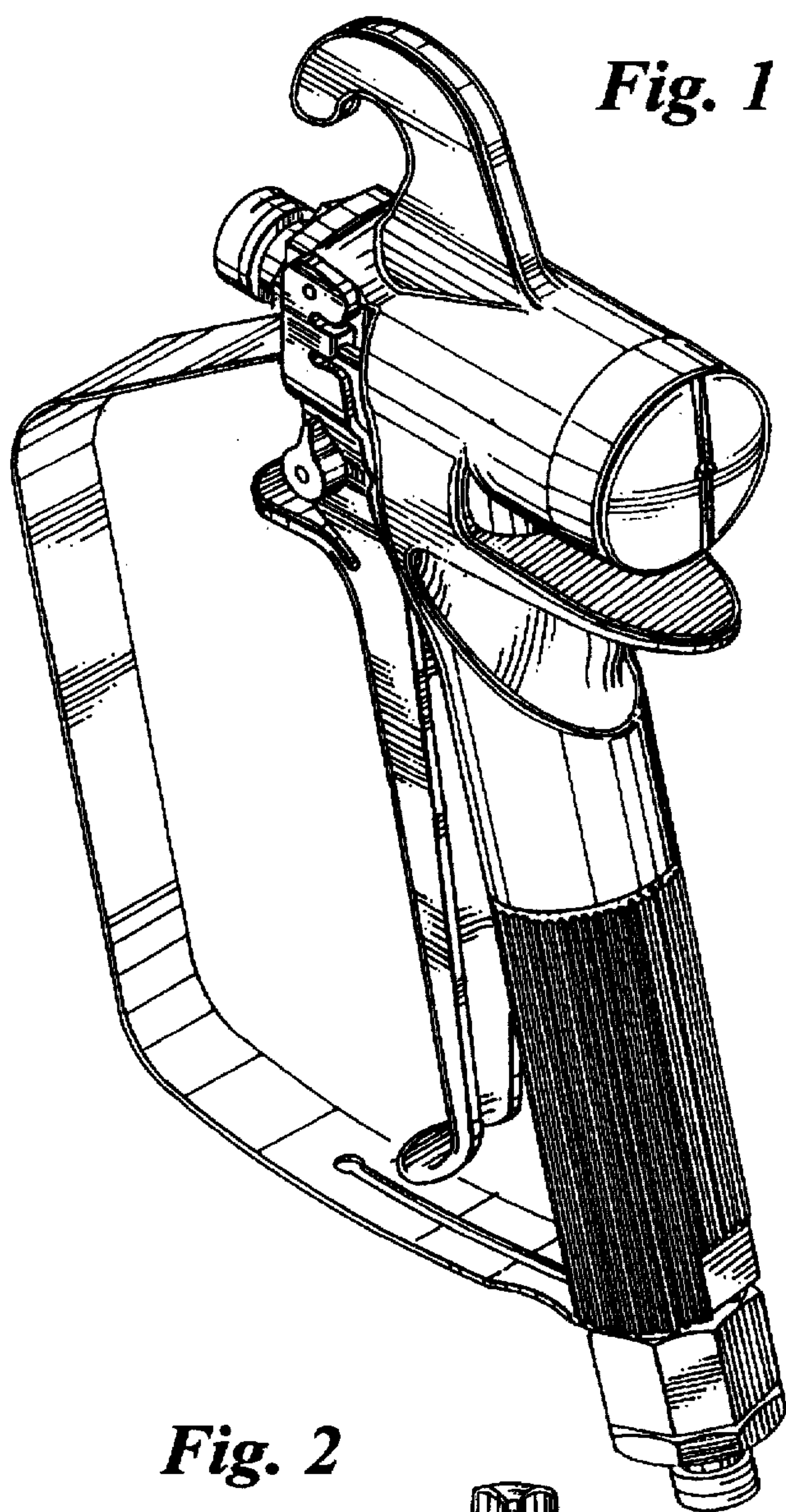


Fig. 4

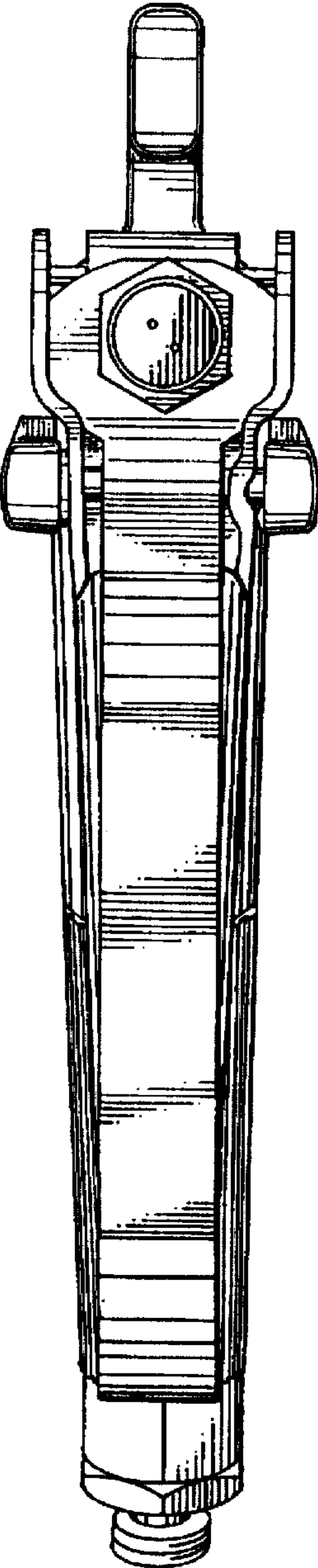


Fig. 5

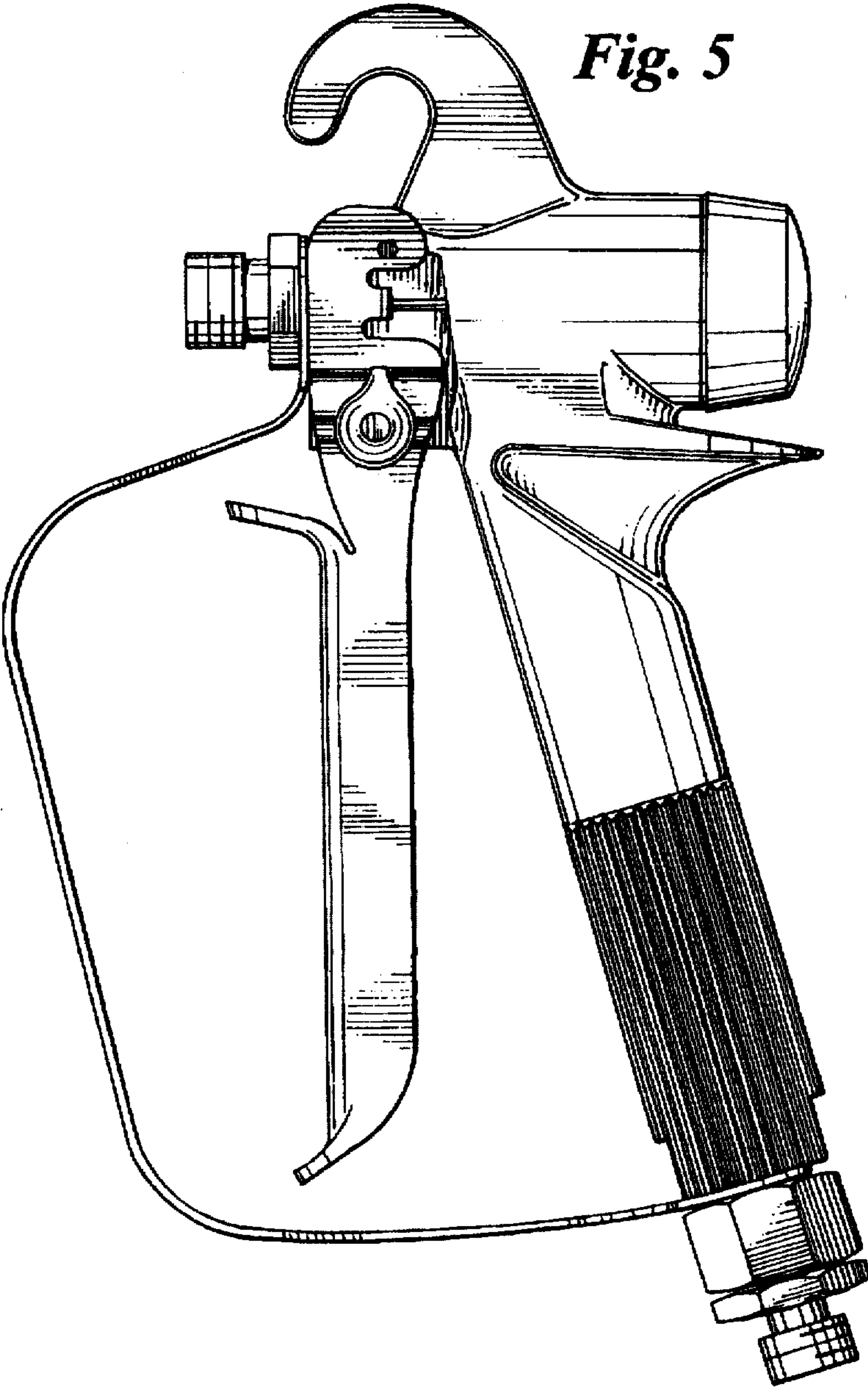


Fig. 7

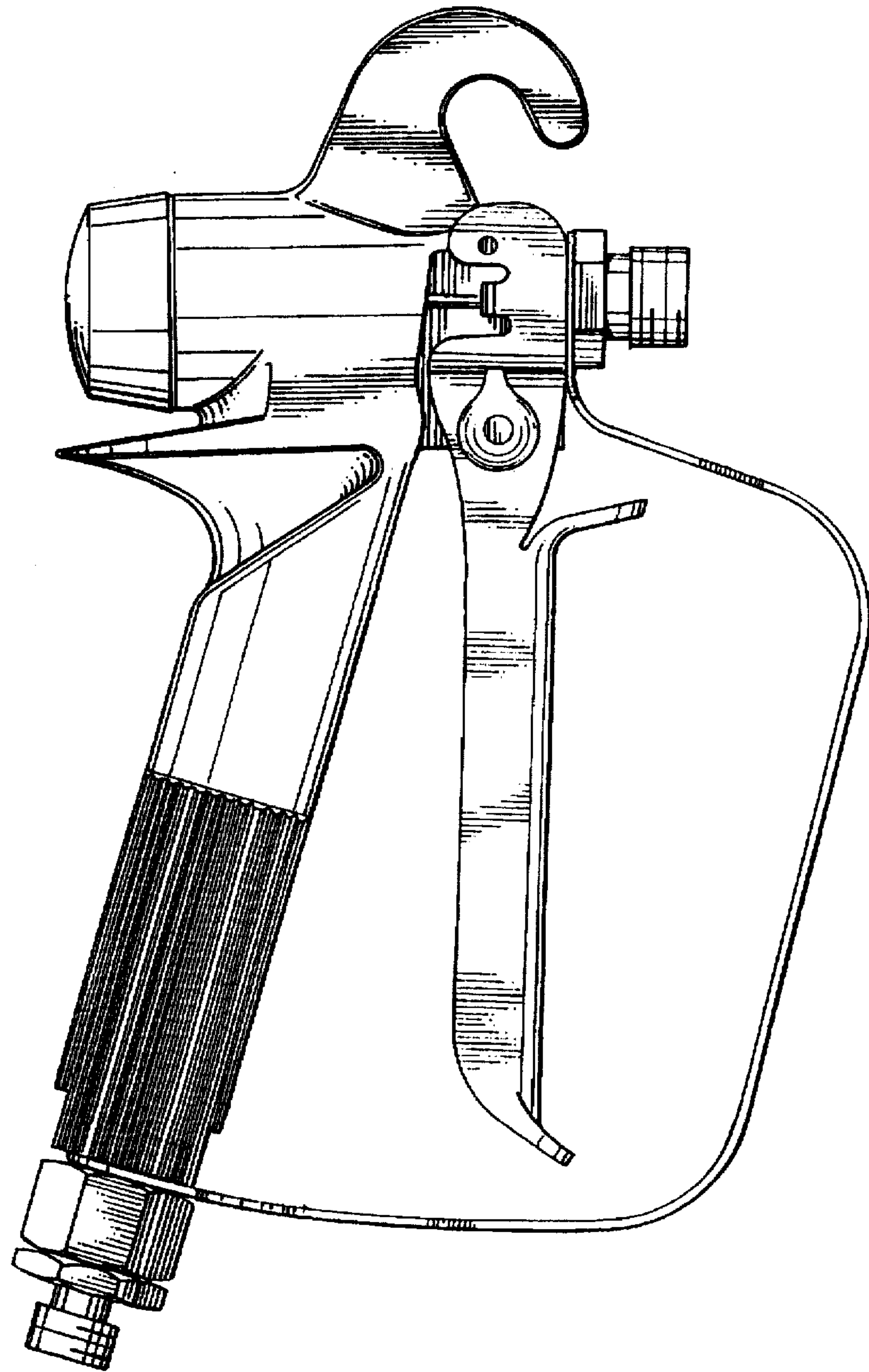


Fig. 6

