



US00D387413S

United States Patent [19]
Andrus

[11] **Patent Number: Des. 387,413**

[45] **Date of Patent: ***Dec. 9, 1997**

[54] **SHOWER HEAD**

[75] **Inventor: Leonard C. Andrus, Plymouth, Mich.**

[73] **Assignee: Brass-Craft Manufacturing Company, Novi, Mich.**

[*] **Notice:** The portion of the term of this patent subsequent to Apr. 23, 2010, has been disclaimed.

[**] **Term: 14 Years**

[21] **Appl. No.: 52,328**

[22] **Filed: Apr. 2, 1996**

Related U.S. Application Data

[62] **Division of Ser. No. 27,252, Aug. 9, 1994, Pat. No. Des. 369,203.**

[51] **LOC (6) Cl. 23-01**

[52] **U.S. Cl. D23/213; D23/229**

[58] **Field of Search D23/213, 223-230; 239/460-462, 459, 394, 230-233, 380-383, 525-528, 587.1, 587.2, 587.4**

[56] **References Cited**

U.S. PATENT DOCUMENTS

D. 315,191 3/1991 Mikol D23/213

D. 323,545	1/1992	Ward	D23/381
D. 369,203	4/1996	Andrus	D23/213
4,588,130	5/1986	Trenary et al.	239/381
5,215,258	6/1993	Jursich	239/394

Primary Examiner—Alan P. Douglas
Assistant Examiner—Robin V. Taylor
Attorney, Agent, or Firm—Myron B. Kapustij; Malcolm L. Sutherland

[57] **CLAIM**

The ornamental design for a shower head, as shown and described.

DESCRIPTION

FIG. 1 is a front perspective view of a shower head showing my new design;

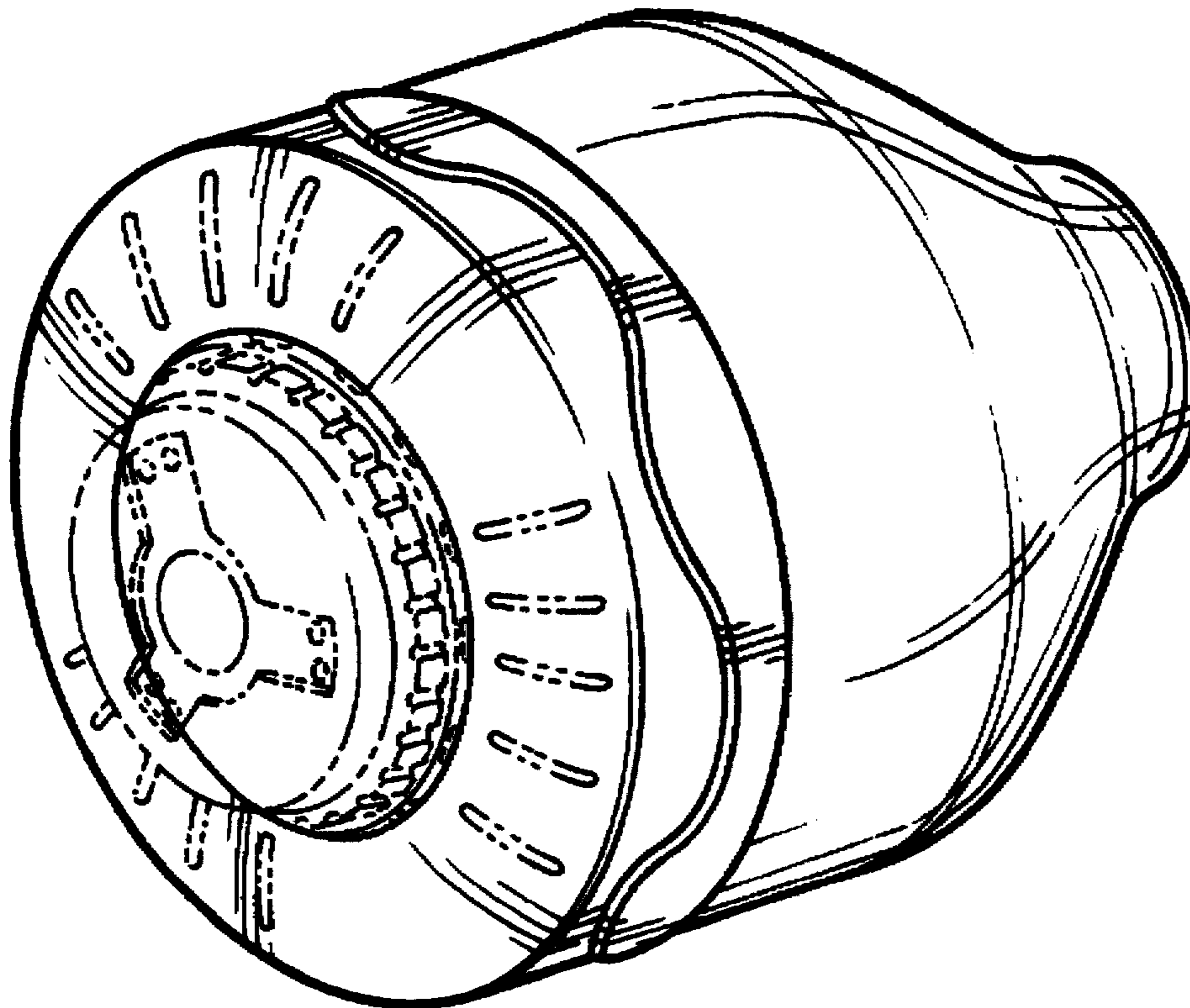
FIG. 2 is a bottom plan view thereof;

FIG. 3 is a side elevational view thereof, the opposite side being identical; and,

FIG. 4 is a top plan view thereof.

The broken line representation of the face plate in FIG. 1 is for the purpose of illustration only and forms no part of the claimed design.

1 Claim, 2 Drawing Sheets



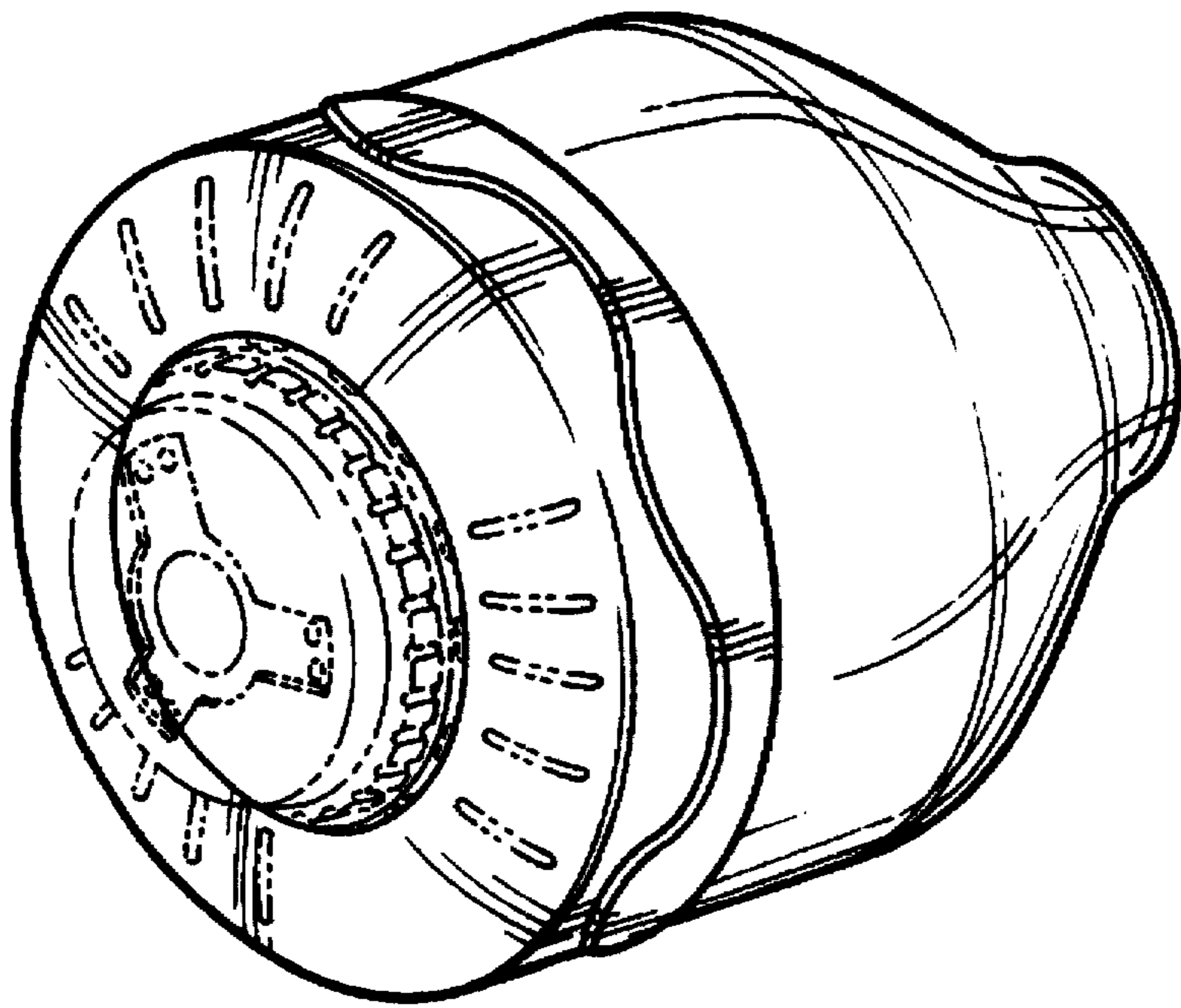


Fig-1

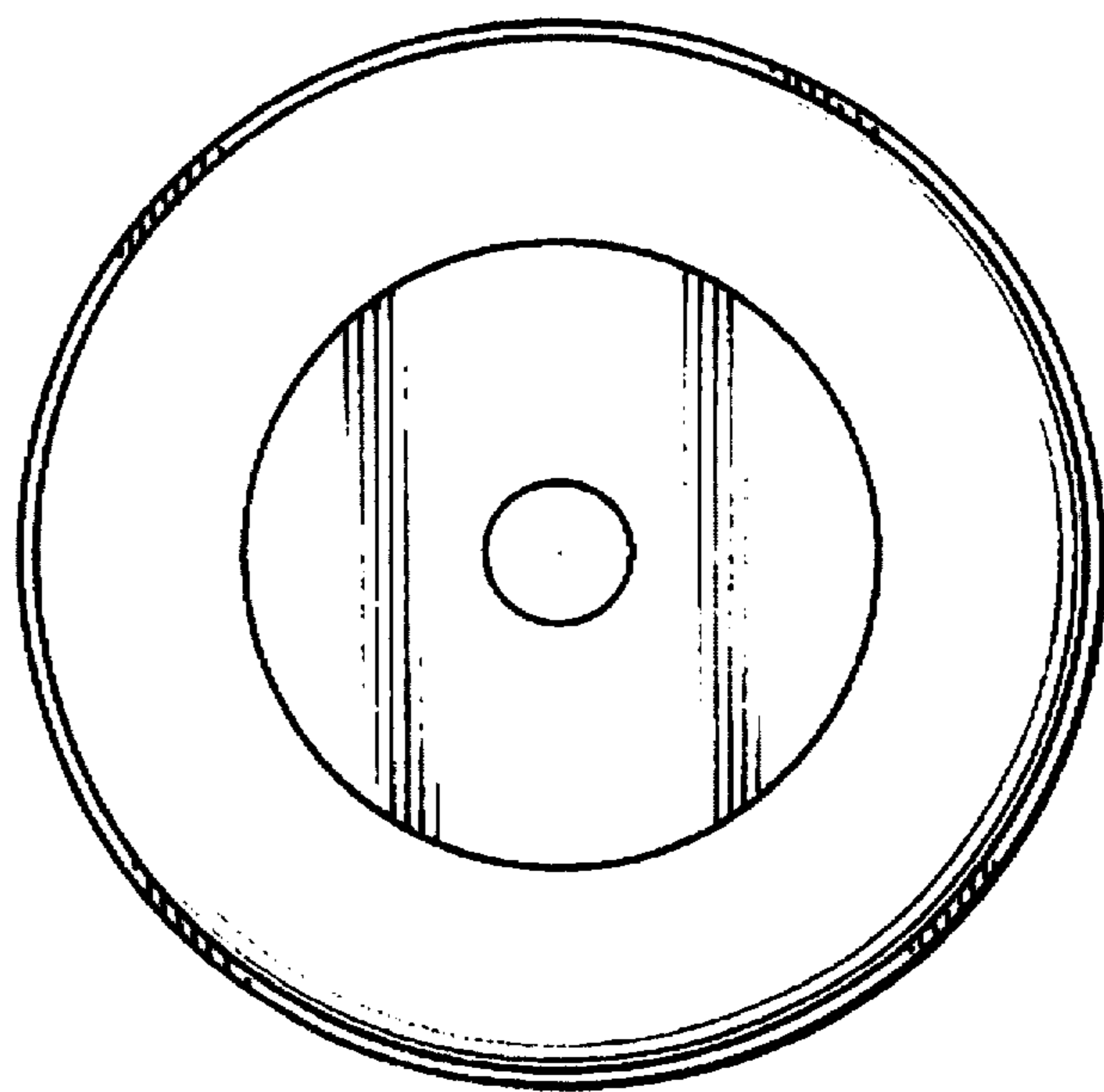


Fig-2

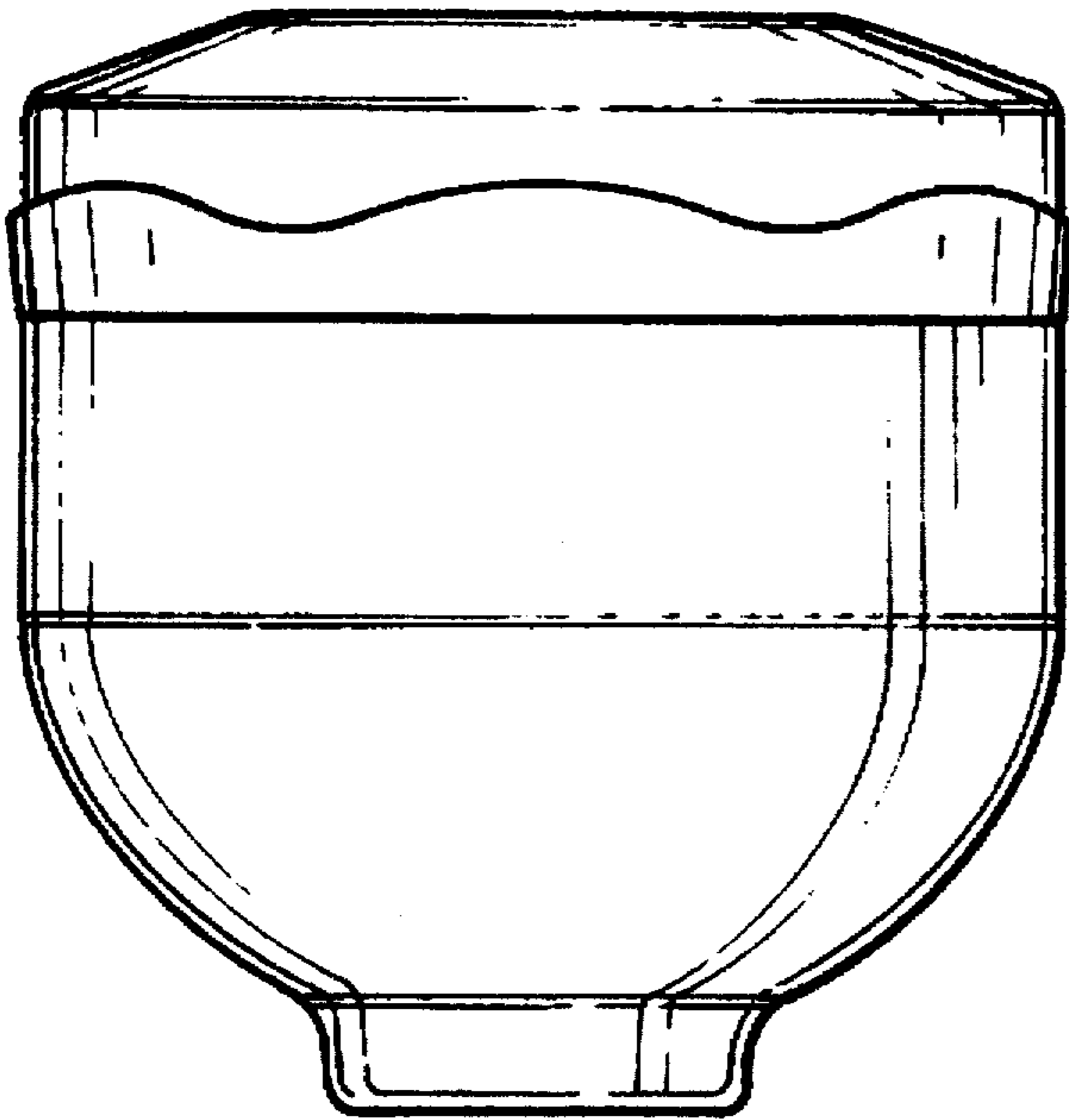


Fig - 3

Fig - 4

