



US00D387412S

# United States Patent [19]

[11] Patent Number: **Des. 387,412**

**Borrows**

[45] Date of Patent: **\*\*Dec. 9, 1997**

[54] **TARGET APPARATUS**

4,151,996	5/1979	Lee et al. ....	273/410 X
4,239,236	12/1980	Parham et al. ....	273/404 X
5,527,032	6/1996	Coleman et al. ....	273/410 X

[75] Inventor: **Kenneth Borrows, London, Canada**

[73] Assignee: **Benross Holdings, Inc., London, Canada**

*Primary Examiner*—Louis S. Zarfes  
*Assistant Examiner*—Monica A. Weingart  
*Attorney, Agent, or Firm*—Rudnick & Wolfe

[\*\*] Term: **14 Years**

[57] **CLAIM**

[21] Appl. No.: **59,085**

The ornamental design of a target apparatus, as shown and described.

[22] Filed: **Sep. 3, 1996**

**DESCRIPTION**

[51] LOC (6) Cl. .... **22-01**

[52] U.S. Cl. .... **D22/113; D22/100**

[58] **Field of Search** ..... **D22/100, 113, D22/119; D21/5, 6; 273/390, 391, 392, 403, 404, 408, 410**

FIG. 1 is a perspective view of target apparatus showing my new design;

FIG. 2 is a frontal view thereof;

FIG. 3 is a side elevational view thereof;

FIG. 4 is a side elevational view thereof;

FIG. 5 is a rear view thereof;

FIG. 6 is a is a top view thereof; and,

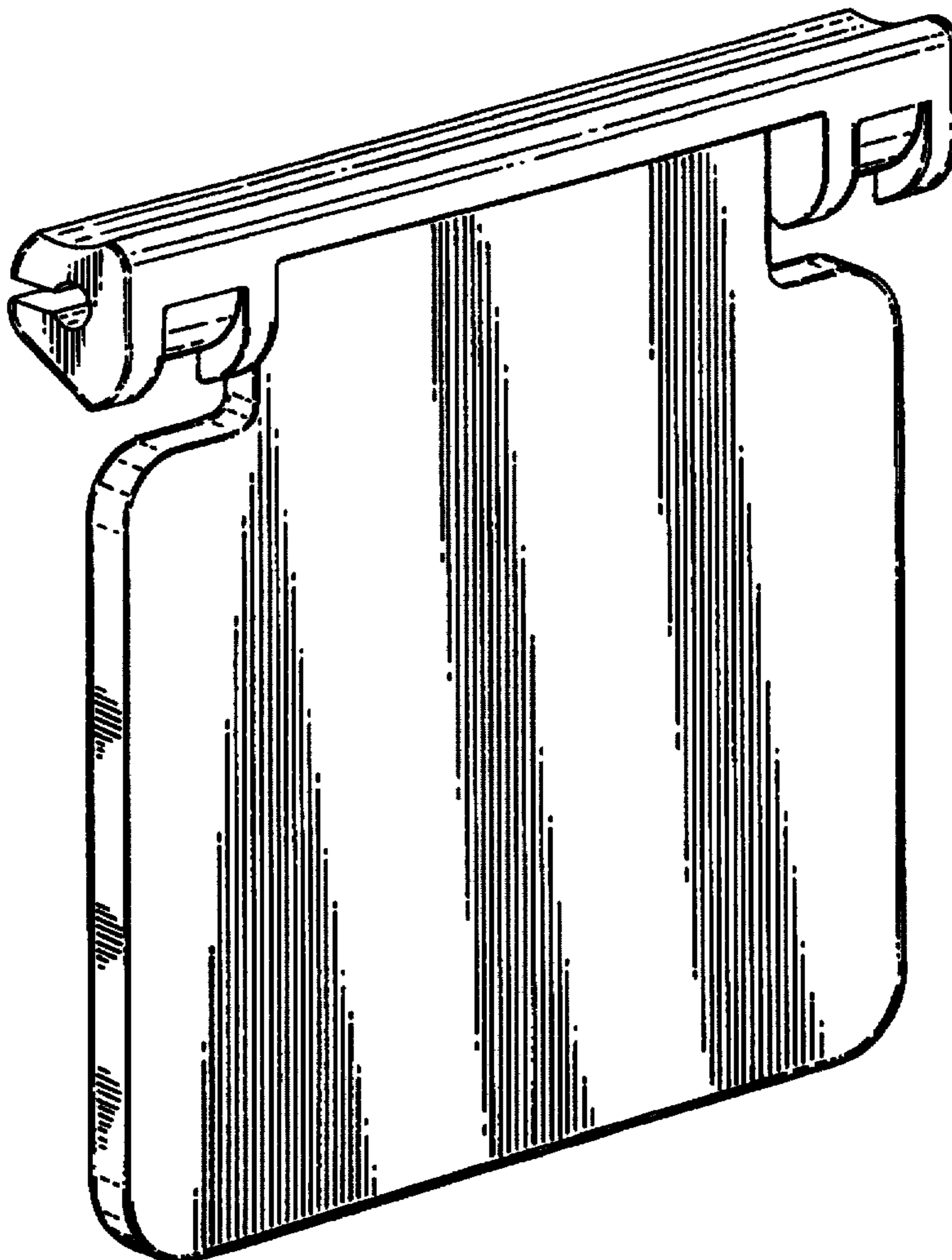
FIG. 7 is a bottom view thereof.

[56] **References Cited**

**U.S. PATENT DOCUMENTS**

D. 261,667	11/1981	Griggs .....	D22/113 X
2,011,014	8/1935	Rosengarten .....	273/404 X
2,013,133	9/1935	Caswell .....	273/410

**1 Claim, 3 Drawing Sheets**



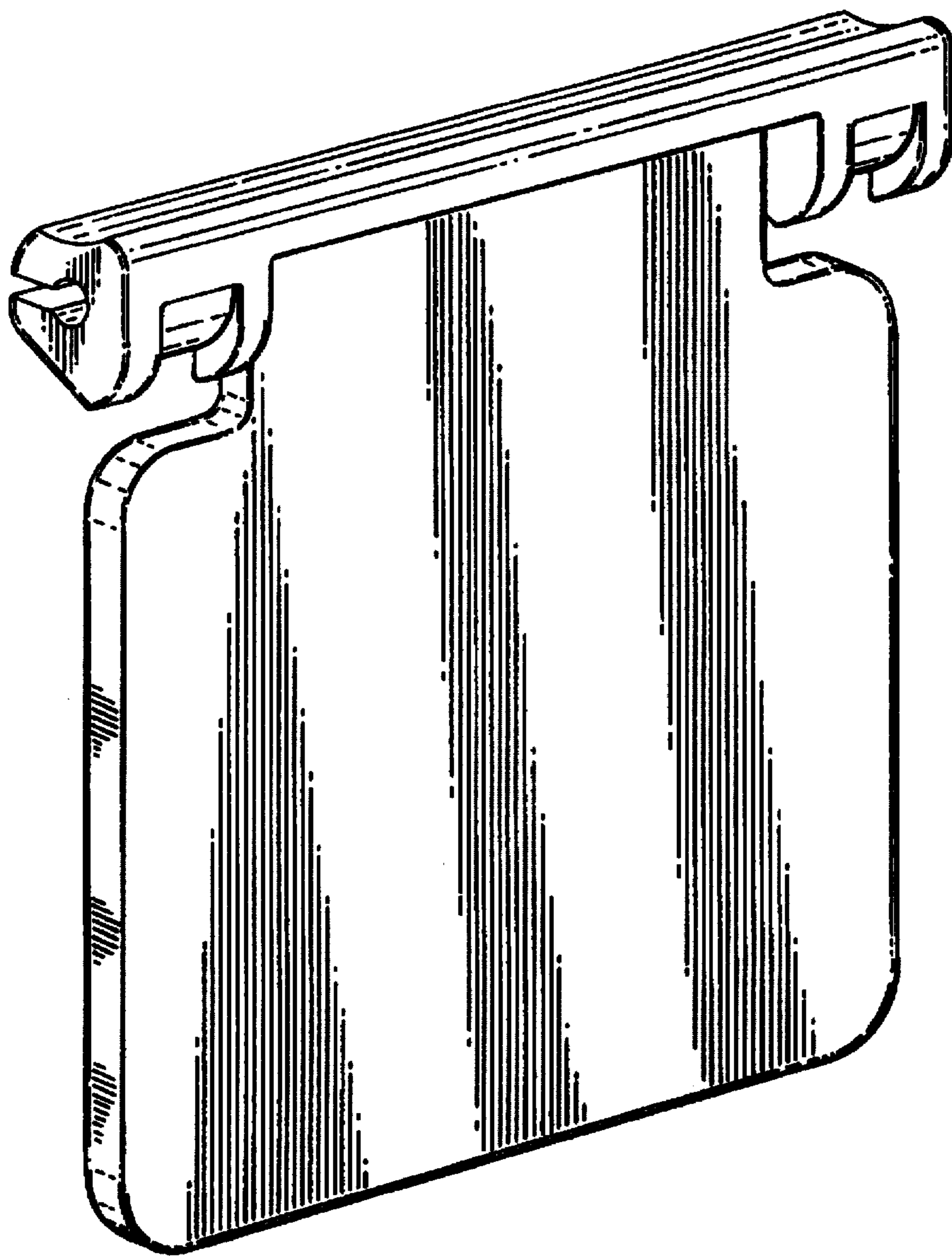


FIG. 1.

FIG. 2.

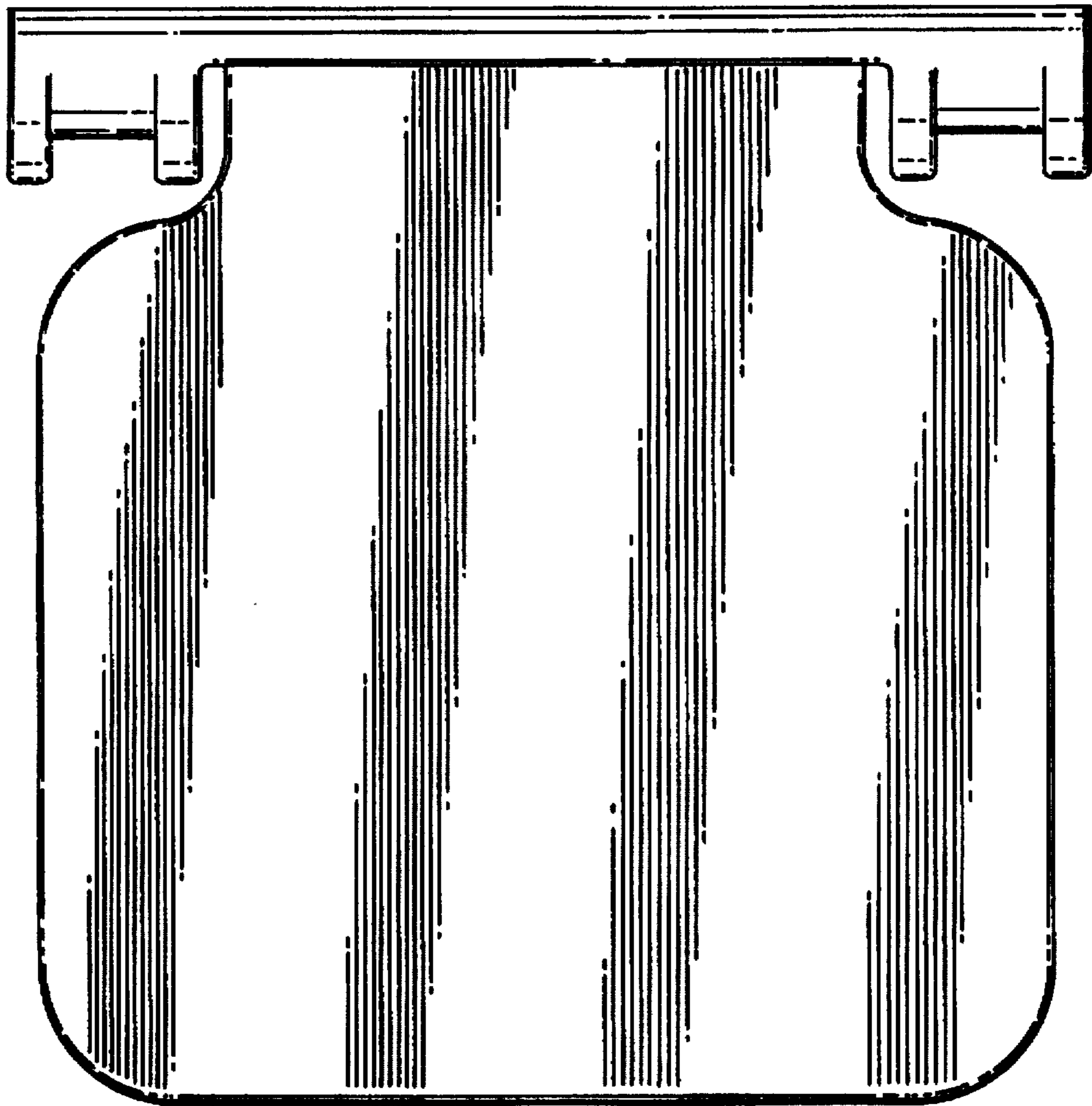


FIG. 3.

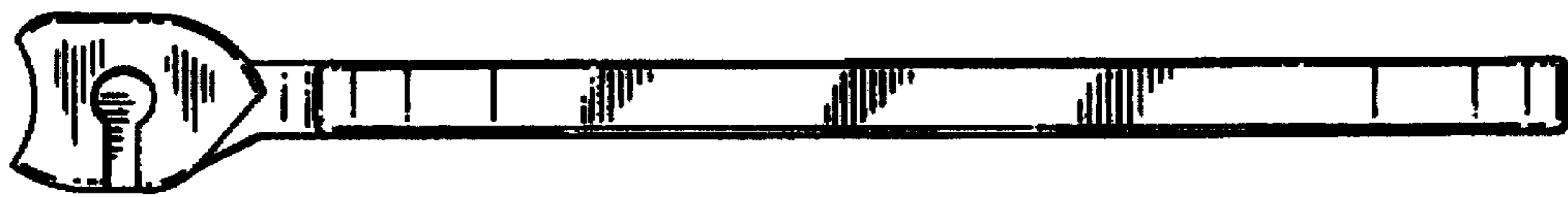


FIG. 4



FIG. 5.

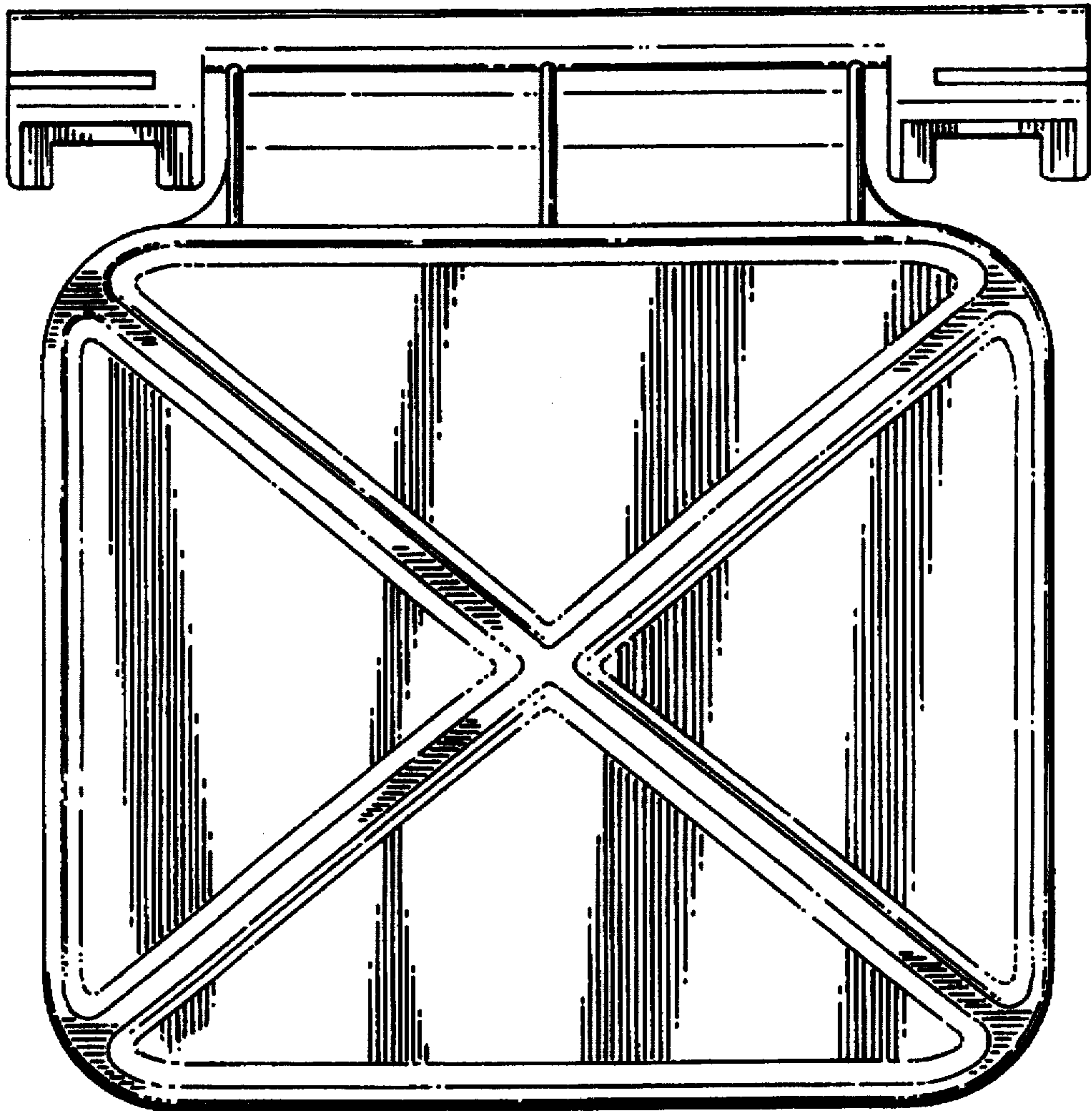


FIG. 6.

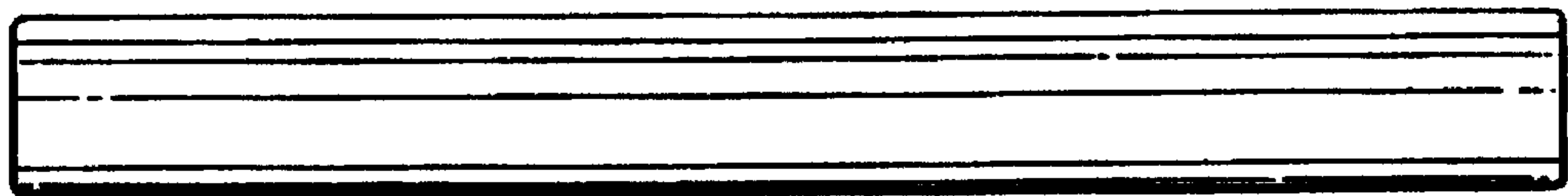


FIG. 7.

