



US00D387411S

# United States Patent [19]

Wiseby et al.

[11] Patent Number: **Des. 387,411**

[45] Date of Patent: **\*\*Dec. 9, 1997**

[54] **HOLDER AND ADJUSTING UNIT FOR FORESIGHT PIN-A PART OF A SIGHT UNIT FOR ARCHERY BOWS**

5,174,269	12/1992	Sappington	124/87
5,228,204	7/1993	Khoshnood	124/87 X
5,442,861	8/1995	Lorocco	33/265 X
5,507,272	4/1996	Scantlen	124/87

[76] Inventors: **Dennis Wiseby**, Box 30, 512 21 Svenljungai; **Tony Wiseby**, Ljungaskogatan 4, 512 93 Svenljunga, both of Sweden

*Primary Examiner*—Louis S. Zarfes  
*Assistant Examiner*—Monica A. Weingart

[\*\*] Term: **14 Years**

### [57] CLAIM

The ornamental design for a holder and adjusting unit for foresight pin-a part of a sight unit for archery bows.

[21] Appl. No.: **47,825**

### DESCRIPTION

[22] Filed: **Dec. 13, 1995**

[51] LOC (6) Cl. .... **22-01**

[52] U.S. Cl. .... **D22/107; D22/100**

[58] Field of Search ..... **D22/100, 107, D22/199; 124/24.1, 44.5, 87, 88; 33/265**

FIG. 1 is an upper perspective view of the holder and adjusting unit for foresight pin-a part of a sight unit for archery bows of the present invention; FIG. 2 is a bottom perspective view of the structure; FIG. 3 is a top view of the structure; FIG. 4 is a side view of the structure; FIG. 5 is a front view of the structure; FIG. 6 is a back view of the structure; FIG. 7 is an opposite side view of the structure; and, FIG. 8 is a bottom view of the structure.

### [56] References Cited

#### U.S. PATENT DOCUMENTS

D. 292,523	10/1987	Raab	D22/107
4,136,462	1/1979	Topel	33/265

**1 Claim, 4 Drawing Sheets**

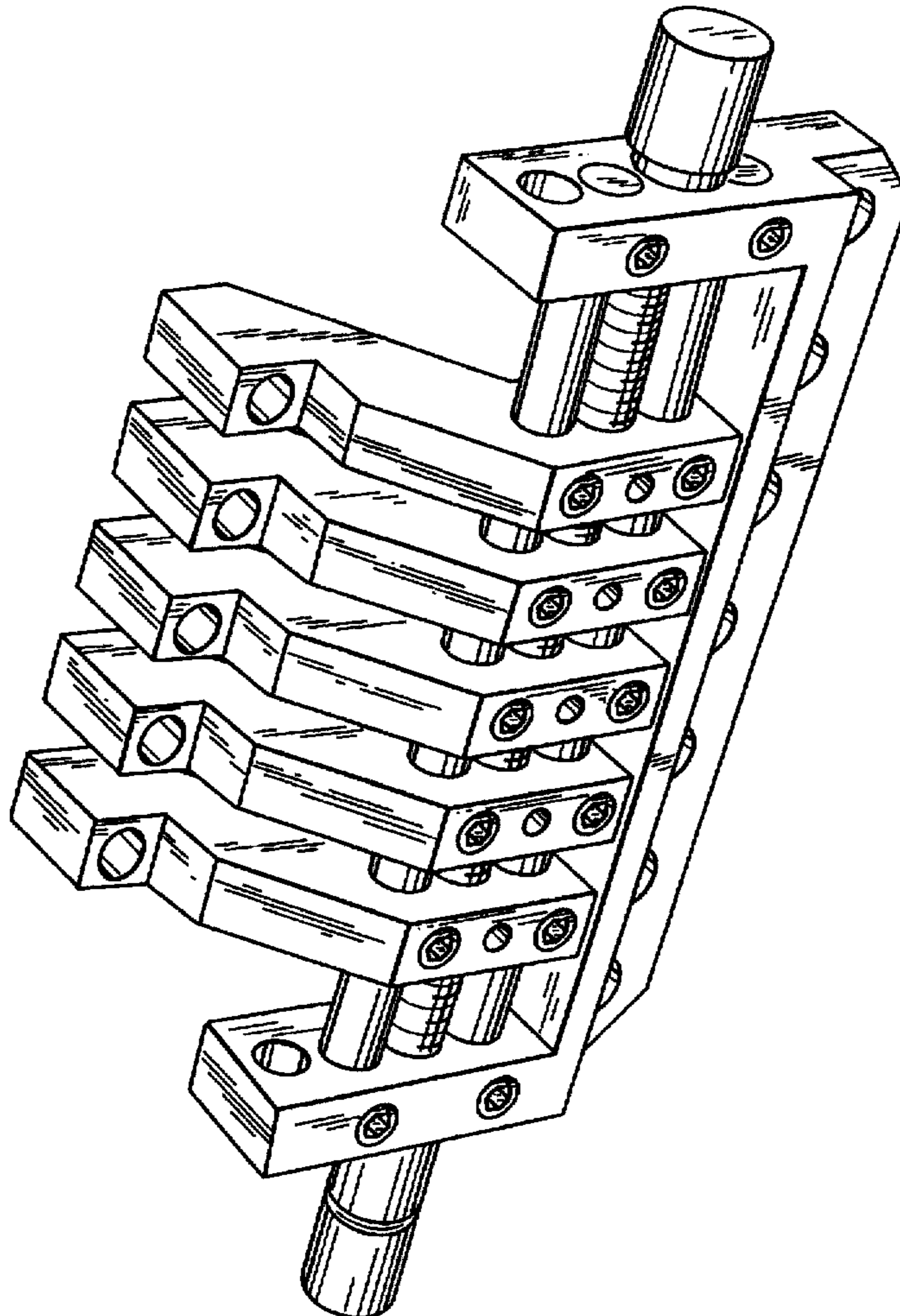
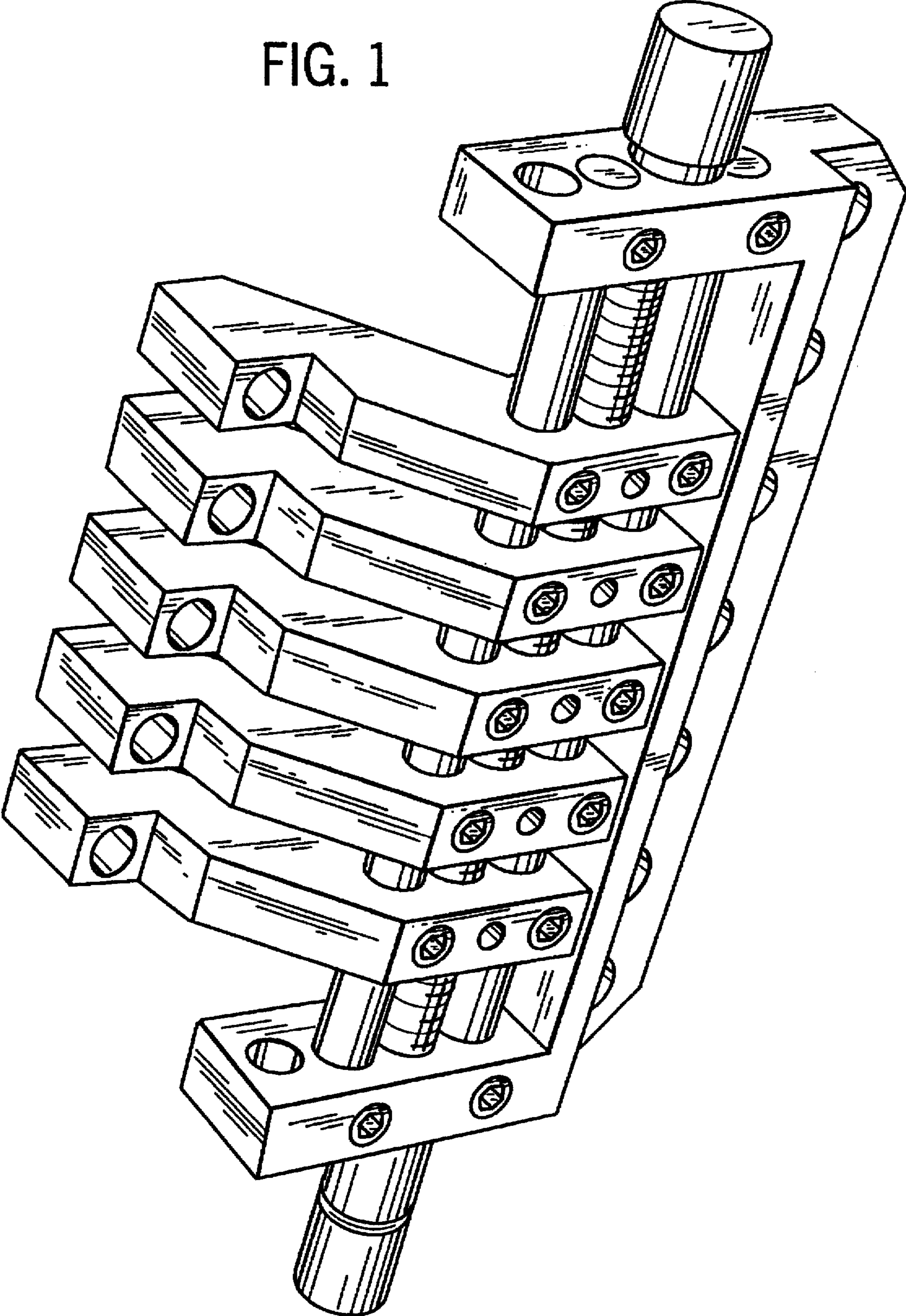


FIG. 1



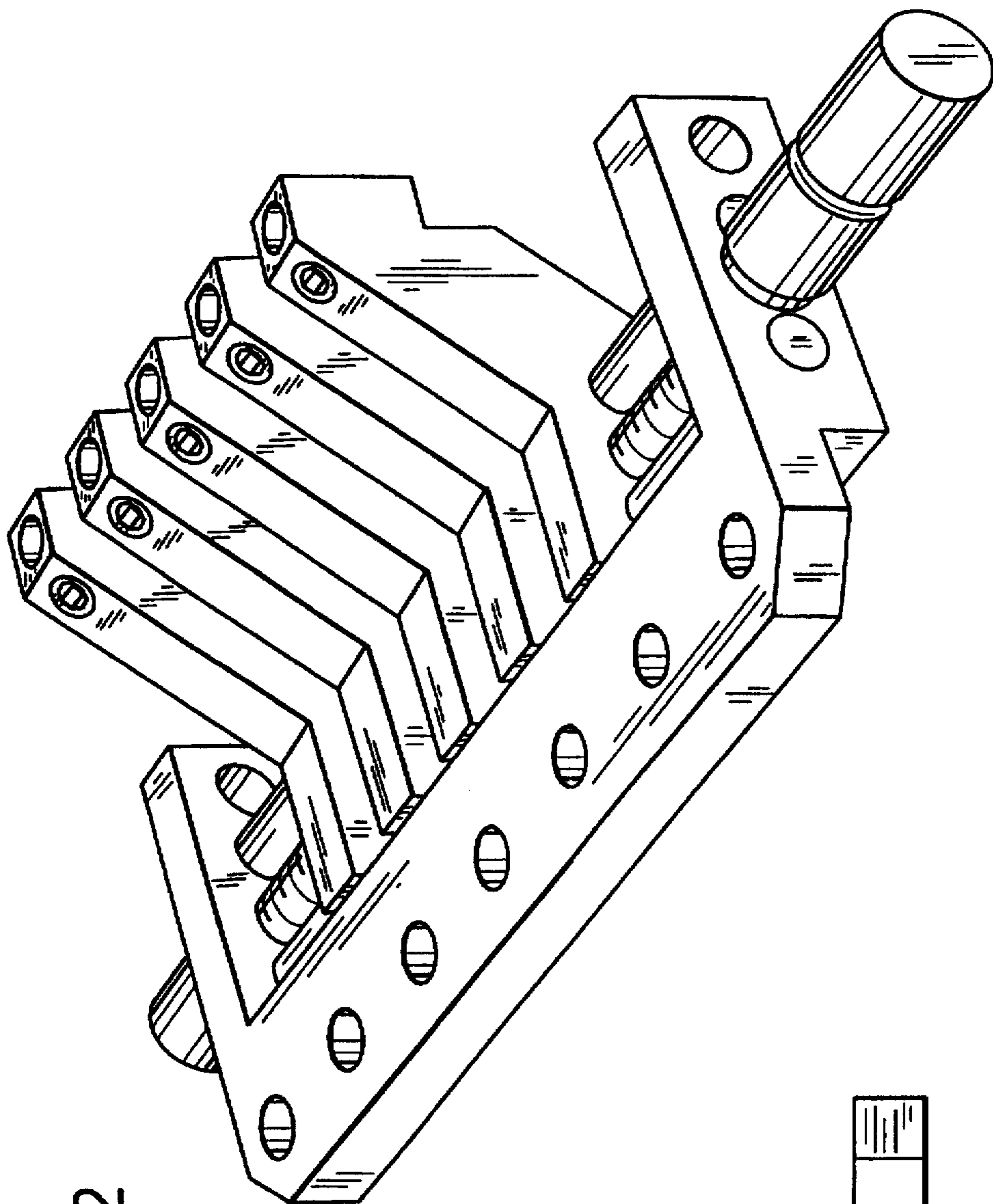


FIG. 2

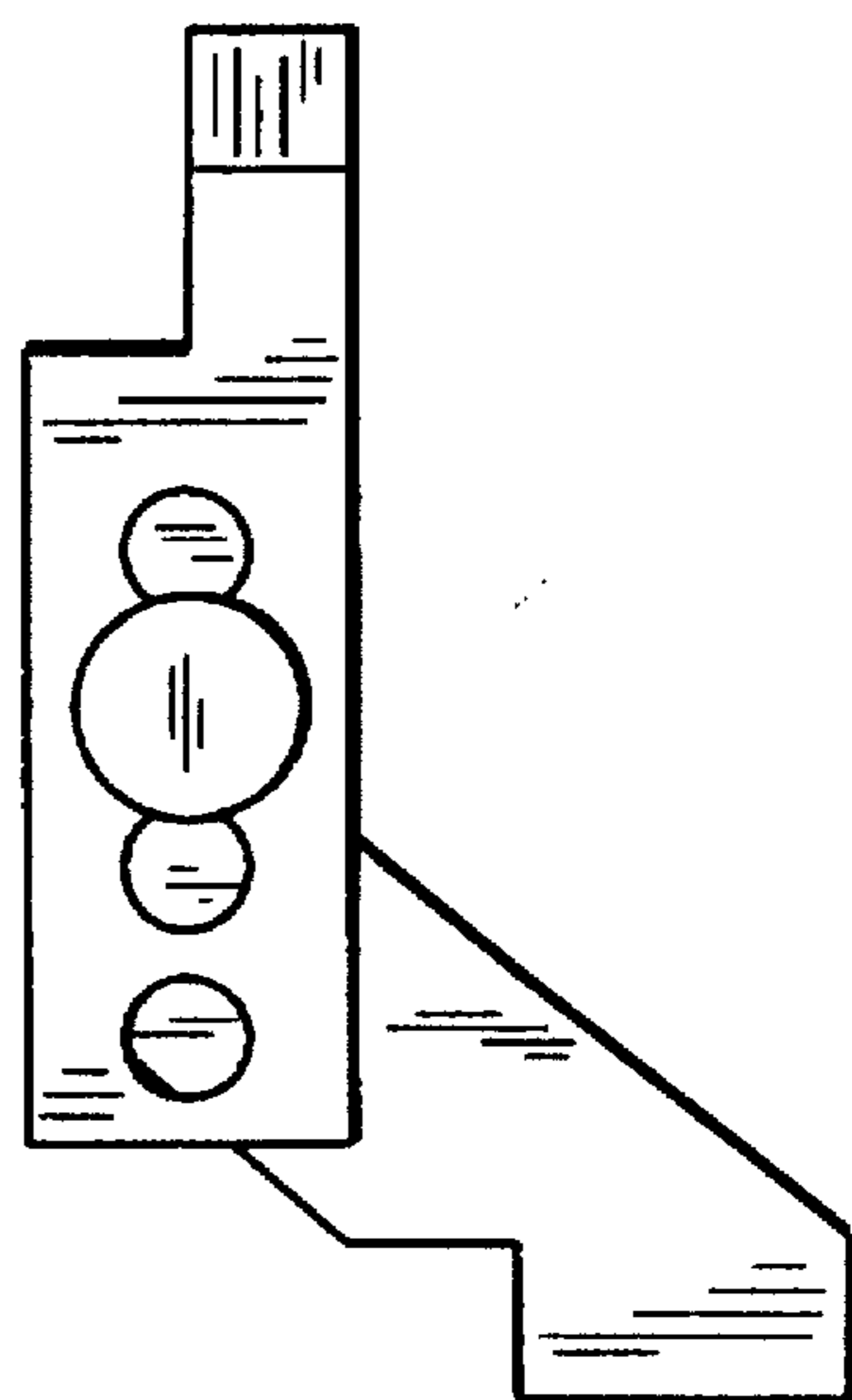


FIG. 3

FIG. 4

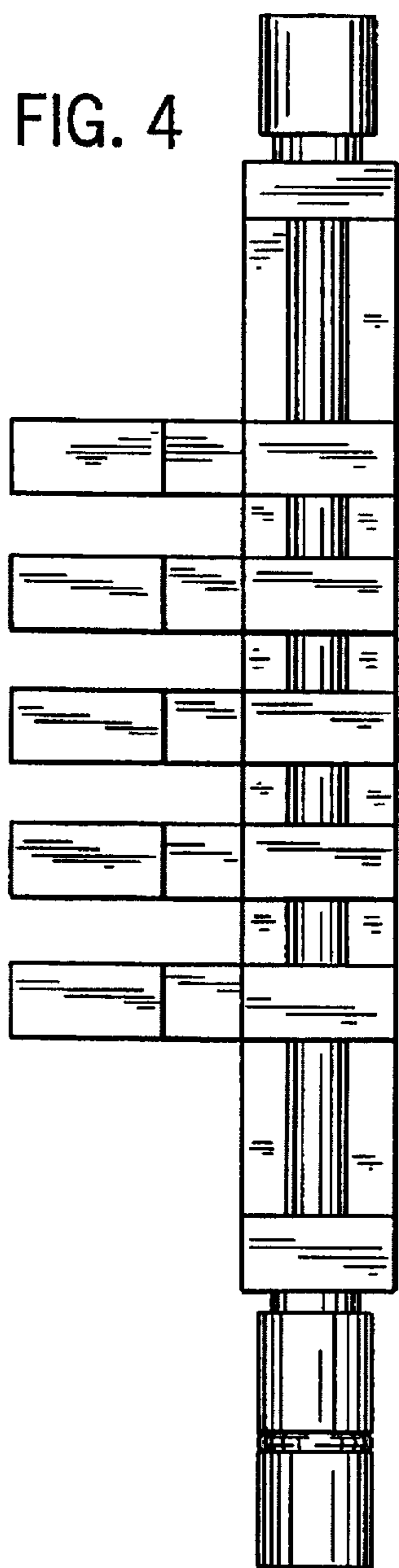


FIG. 5

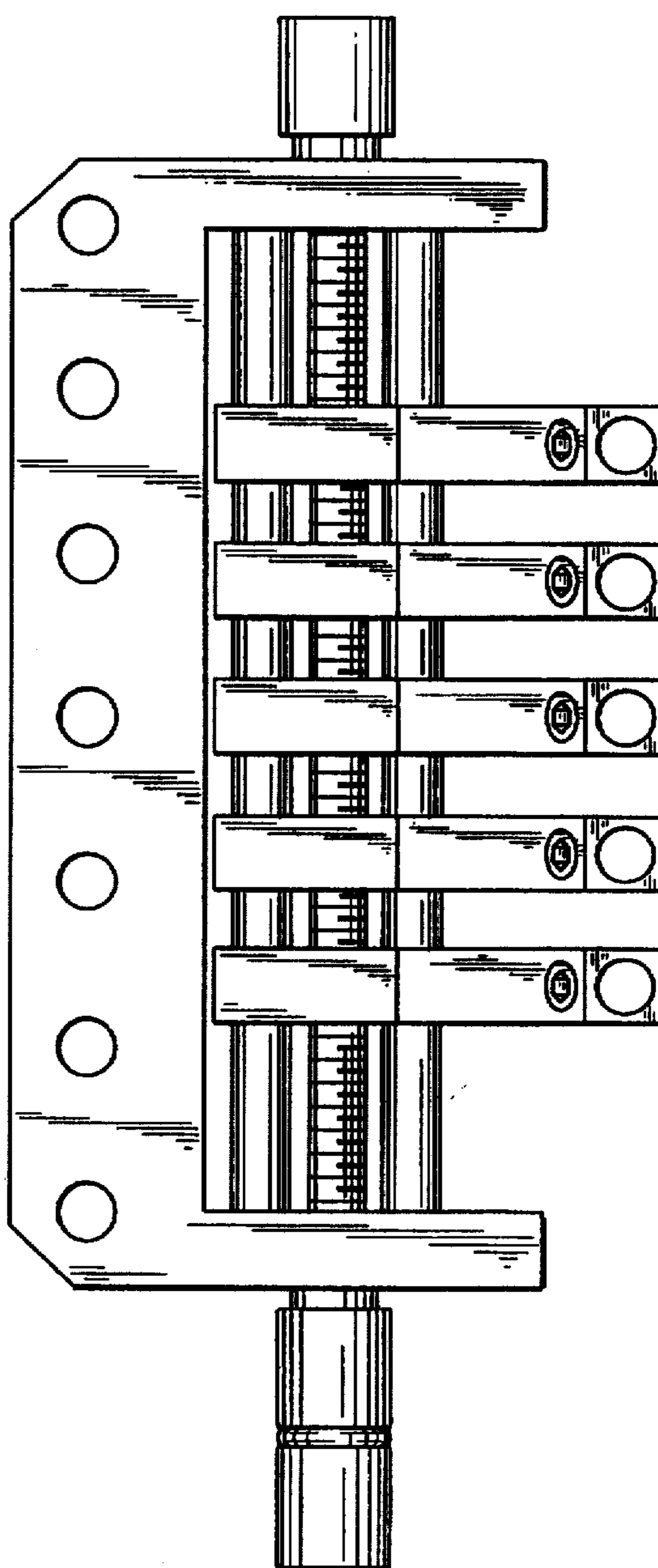


FIG. 6

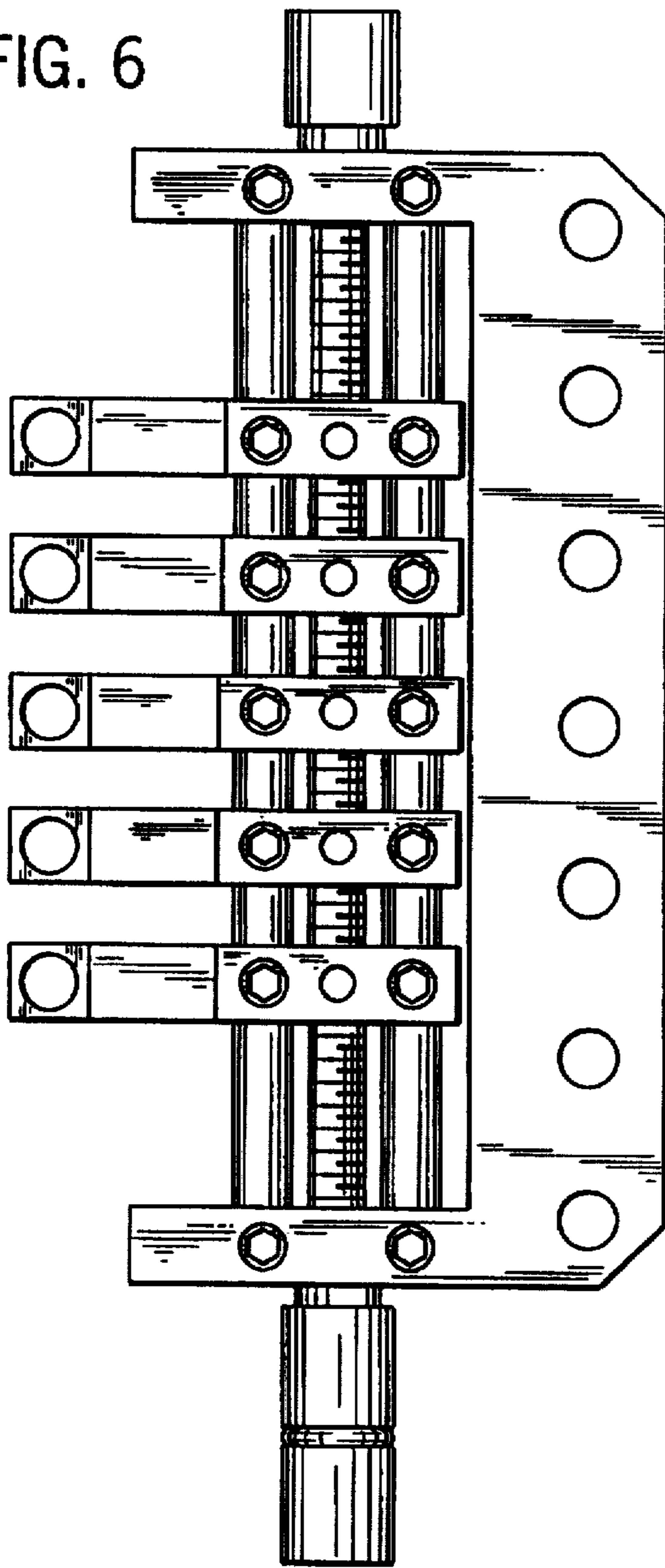


FIG. 7

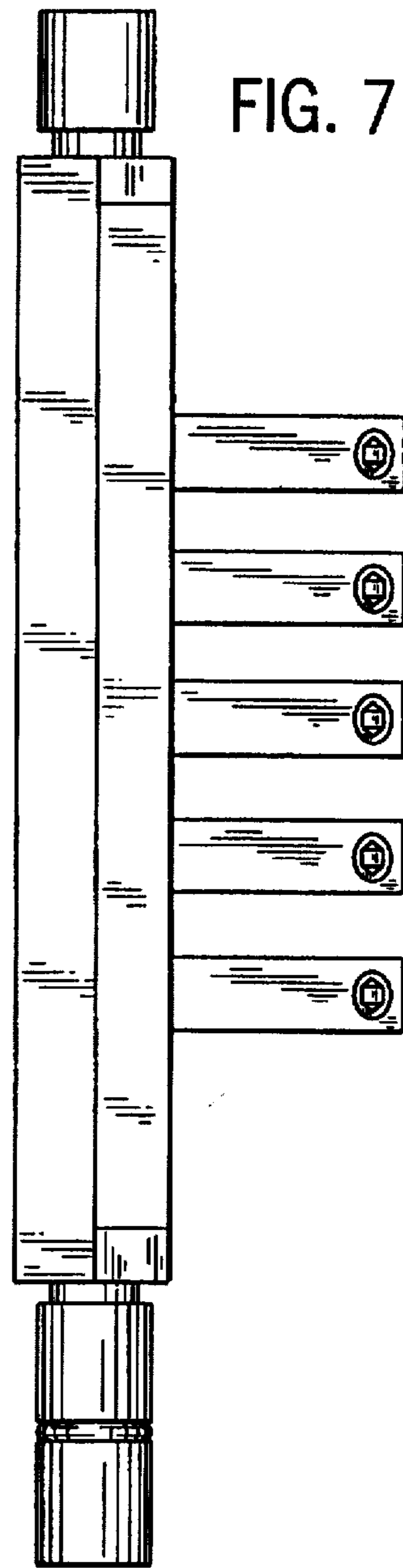


FIG. 8

