



US00D387401S

United States Patent [19] Huang

[11] Patent Number: Des. 387,401
[45] Date of Patent: **Dec. 9, 1997

[54] ABDOMEN EXERCISE DEVICE
[76] Inventor: Chin-Chen Huang, P.O. Box 55 175,
Taichung, Taiwan
[**] Term: 14 Years
[21] Appl. No.: 60,134
[22] Filed: Sep. 23, 1996
[51] LOC (6) Cl. 21-02
[52] U.S. Cl. D21/191
[58] Field of Search D21/191, 198;
482/140, 128, 121, 122, 124, 126, 127

5,224,914 7/1993 Friedman 482/140
5,232,425 8/1993 Miller et al. 482/140
5,372,558 12/1994 Perry et al. 482/140

Primary Examiner—Philip S. Hyder

[57] CLAIM

The ornamental design for an abdomen exercise device, as shown and described.

DESCRIPTION

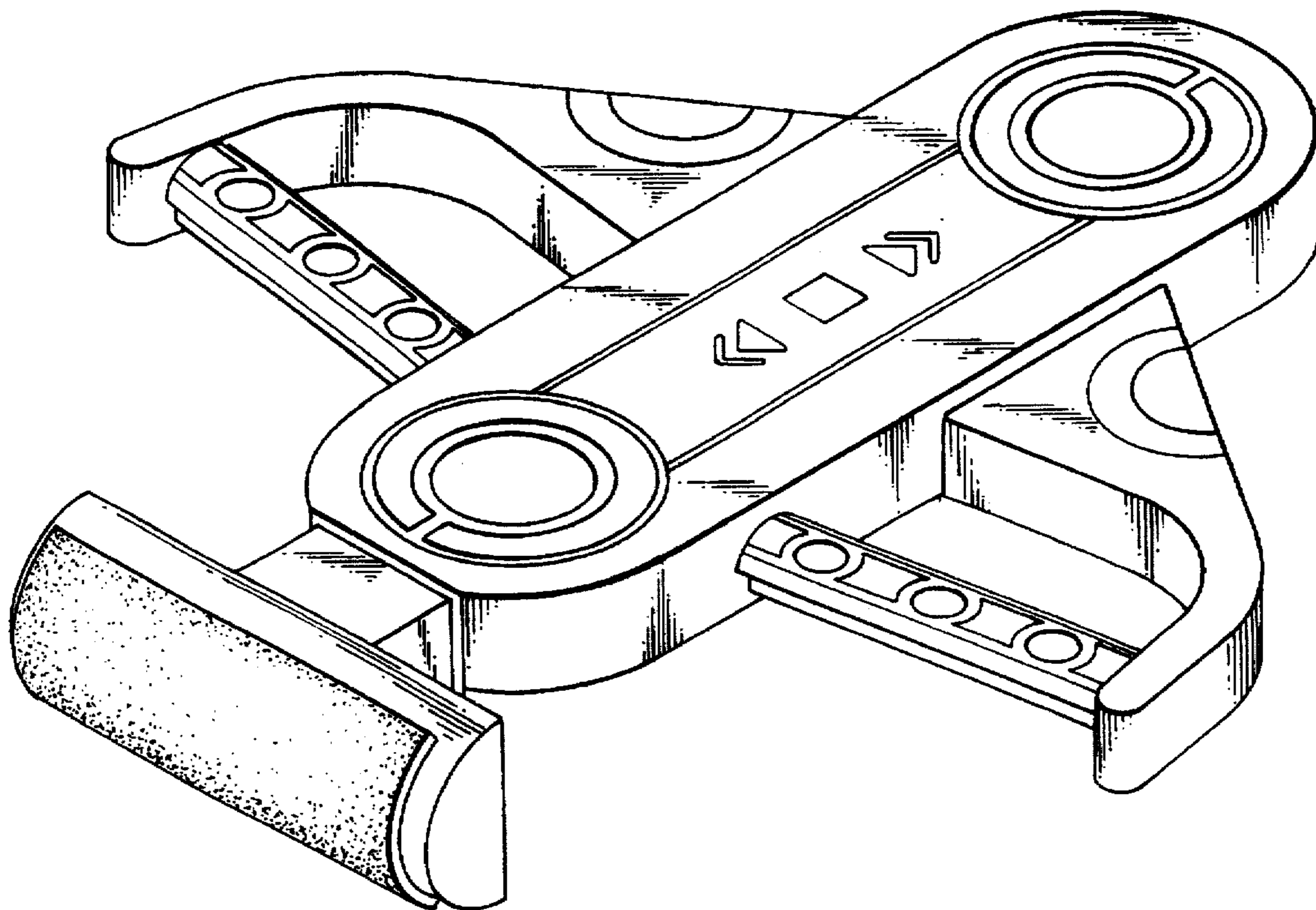
FIG. 1 is a perspective view of a abdomen exercise device showing my new design;
FIG. 2 is a front elevation view thereof;
FIG. 3 is a right side elevation view thereof;
FIG. 4 is a left side elevation view thereof;
FIG. 5 is a top view thereof;
FIG. 6 is a bottom view thereof;
FIG. 7 is a rear elevation view thereof; and,
FIG. 8 is a bottom plan view thereof, in an extended position.

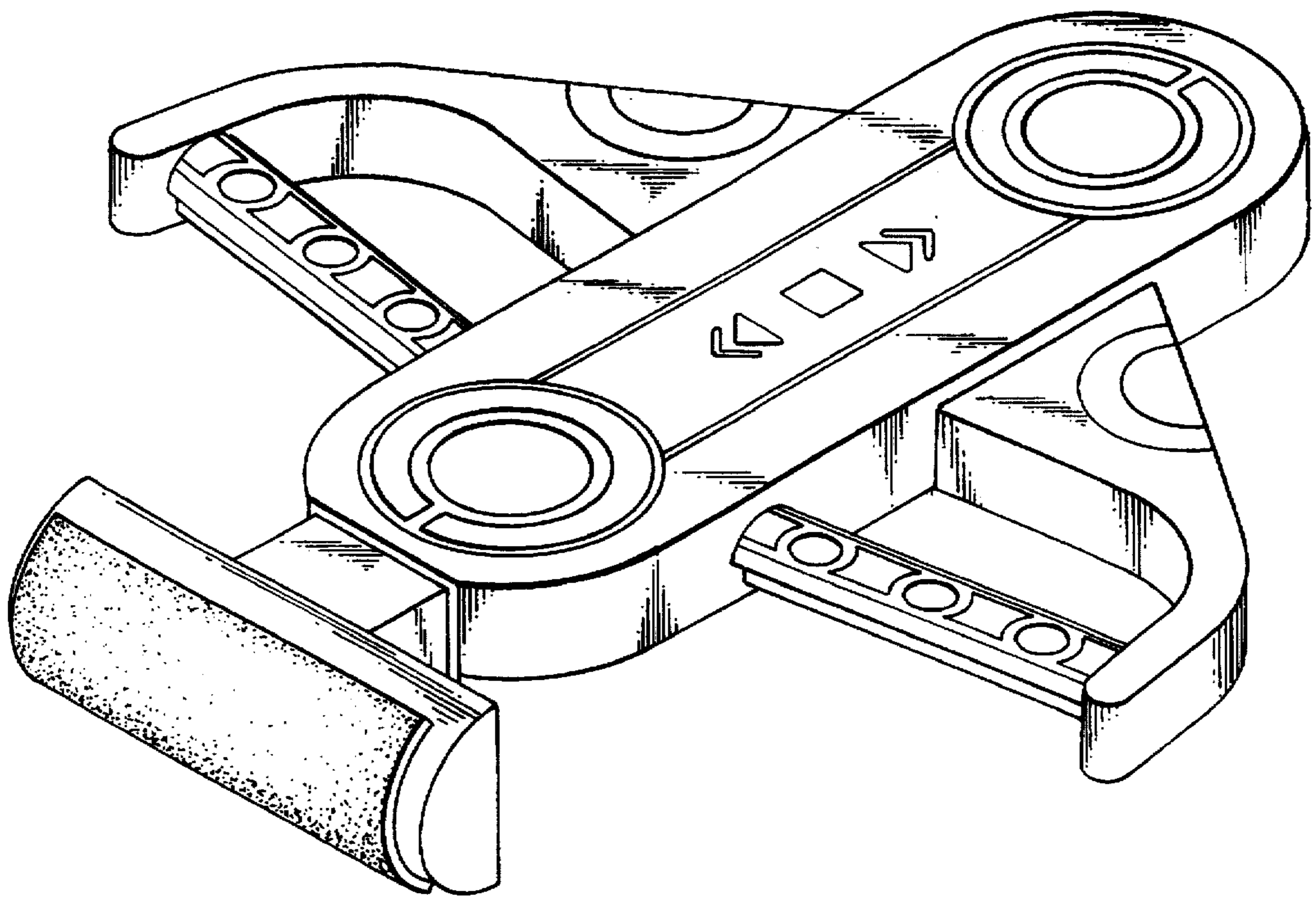
[56] References Cited

U.S. PATENT DOCUMENTS

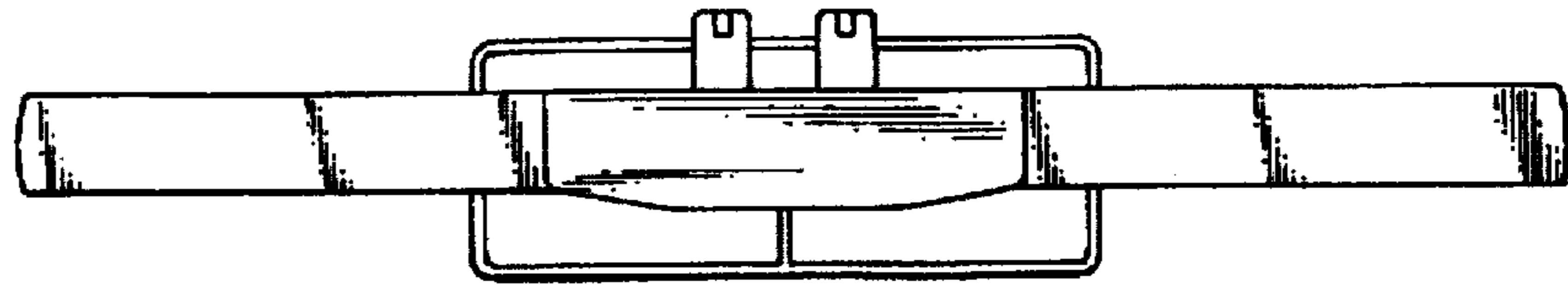
4,834,366 5/1989 Hotchkiss 482/128
5,046,726 9/1991 Van Straaten 482/128
5,050,875 9/1991 Lewkovich 482/128
5,122,107 6/1992 Gardner 482/140
5,160,304 11/1992 Van Der Hoeven 482/140

1 Claim, 4 Drawing Sheets

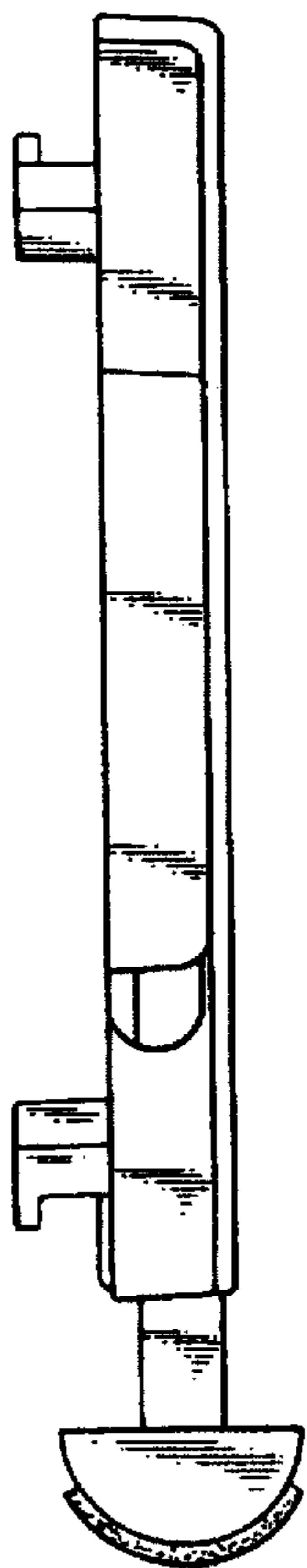




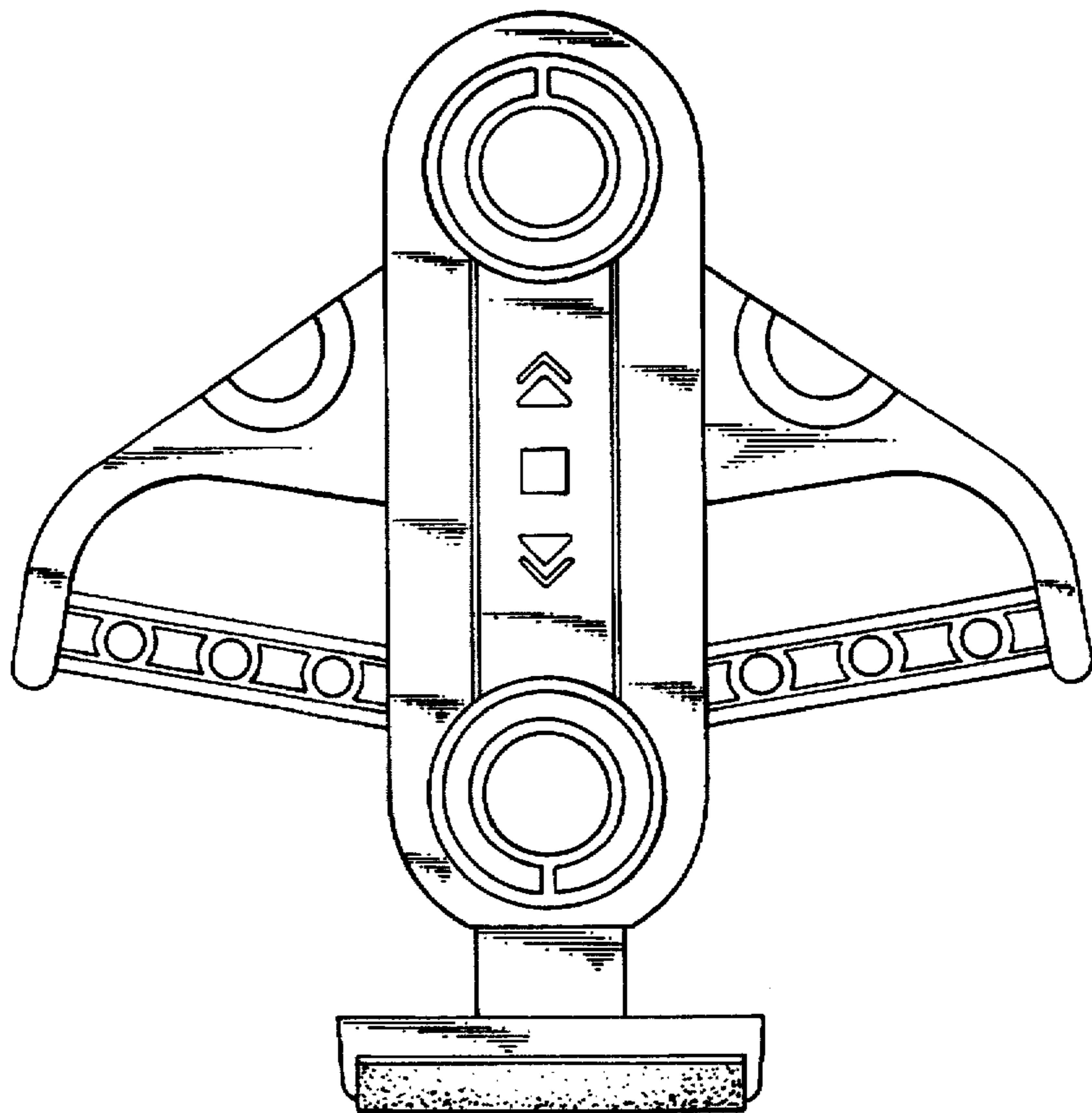
F I G . 1



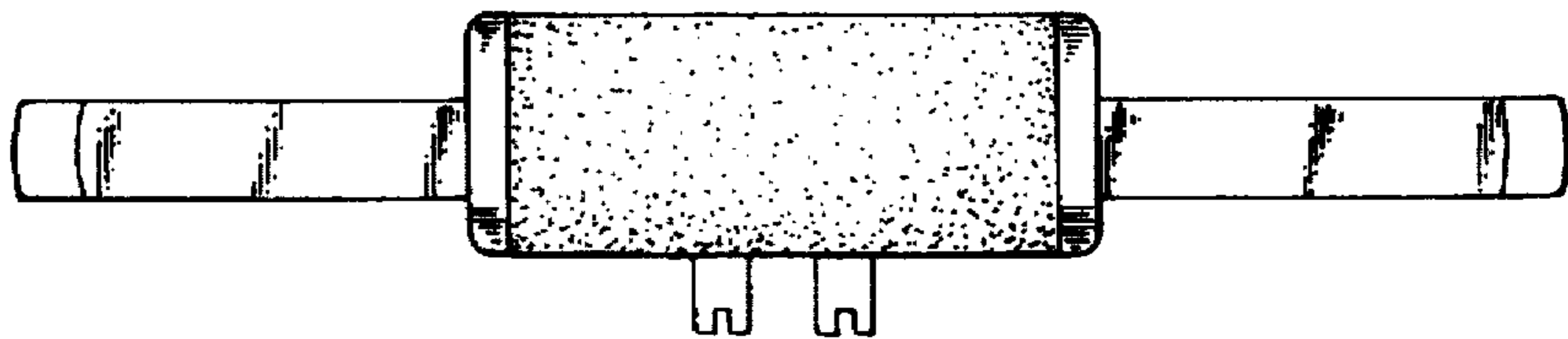
F I G. 7



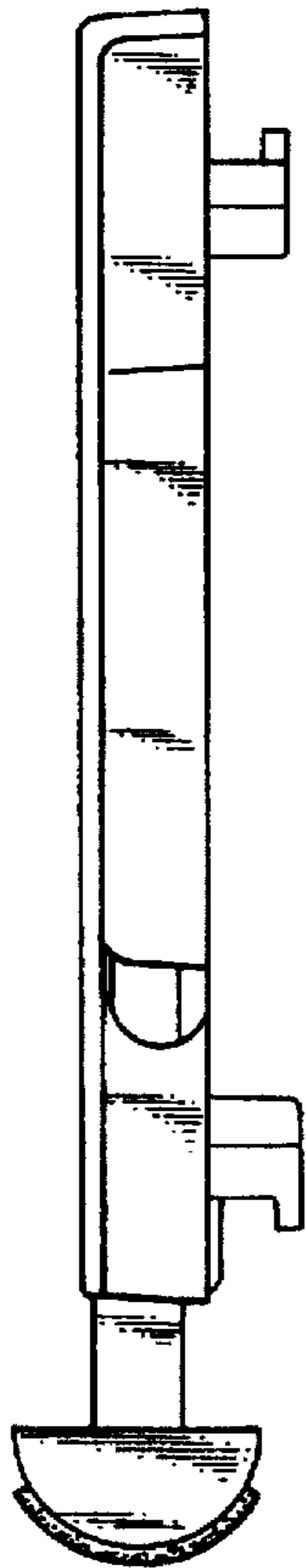
F. I G. 4



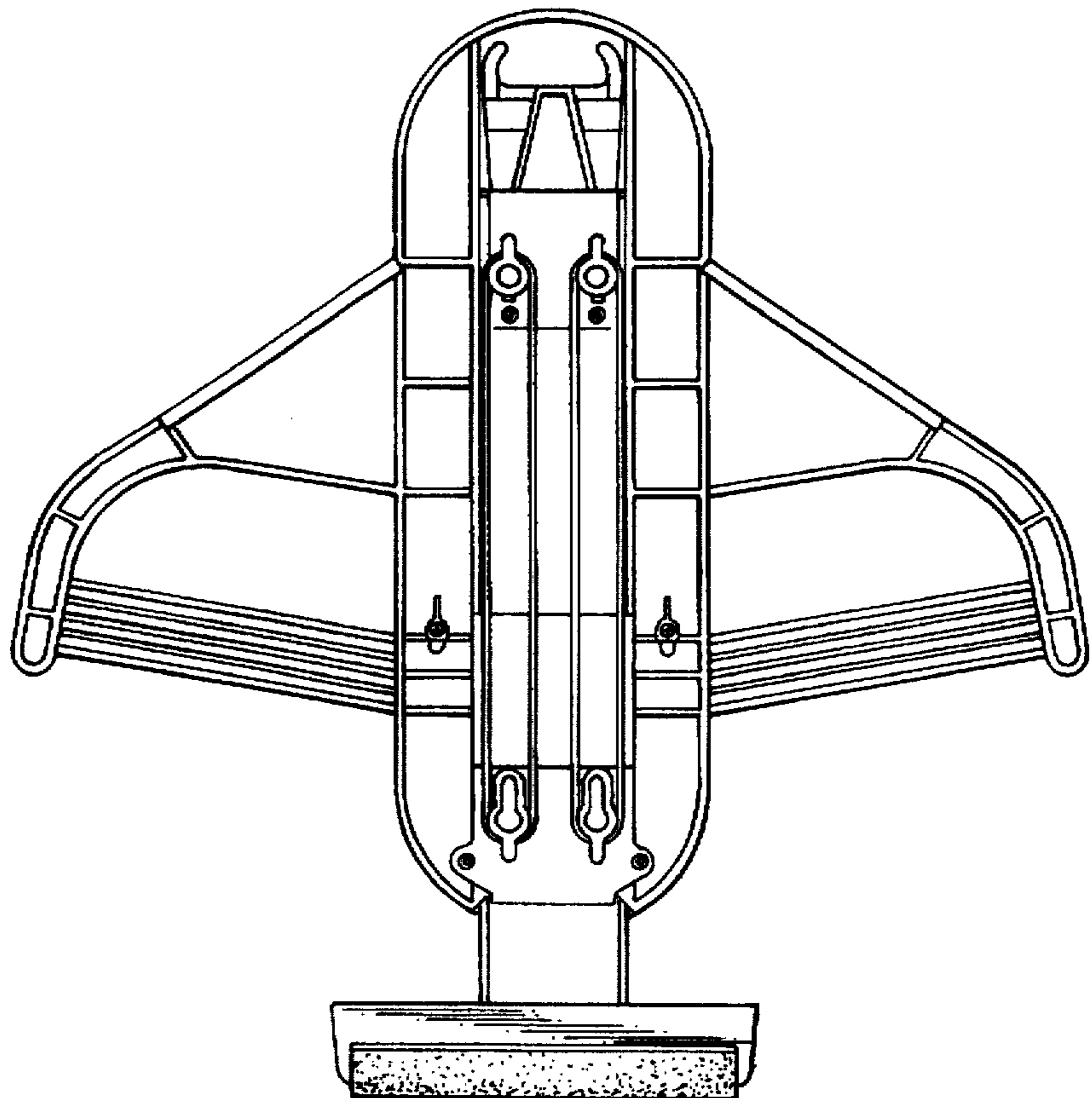
F I G. 5



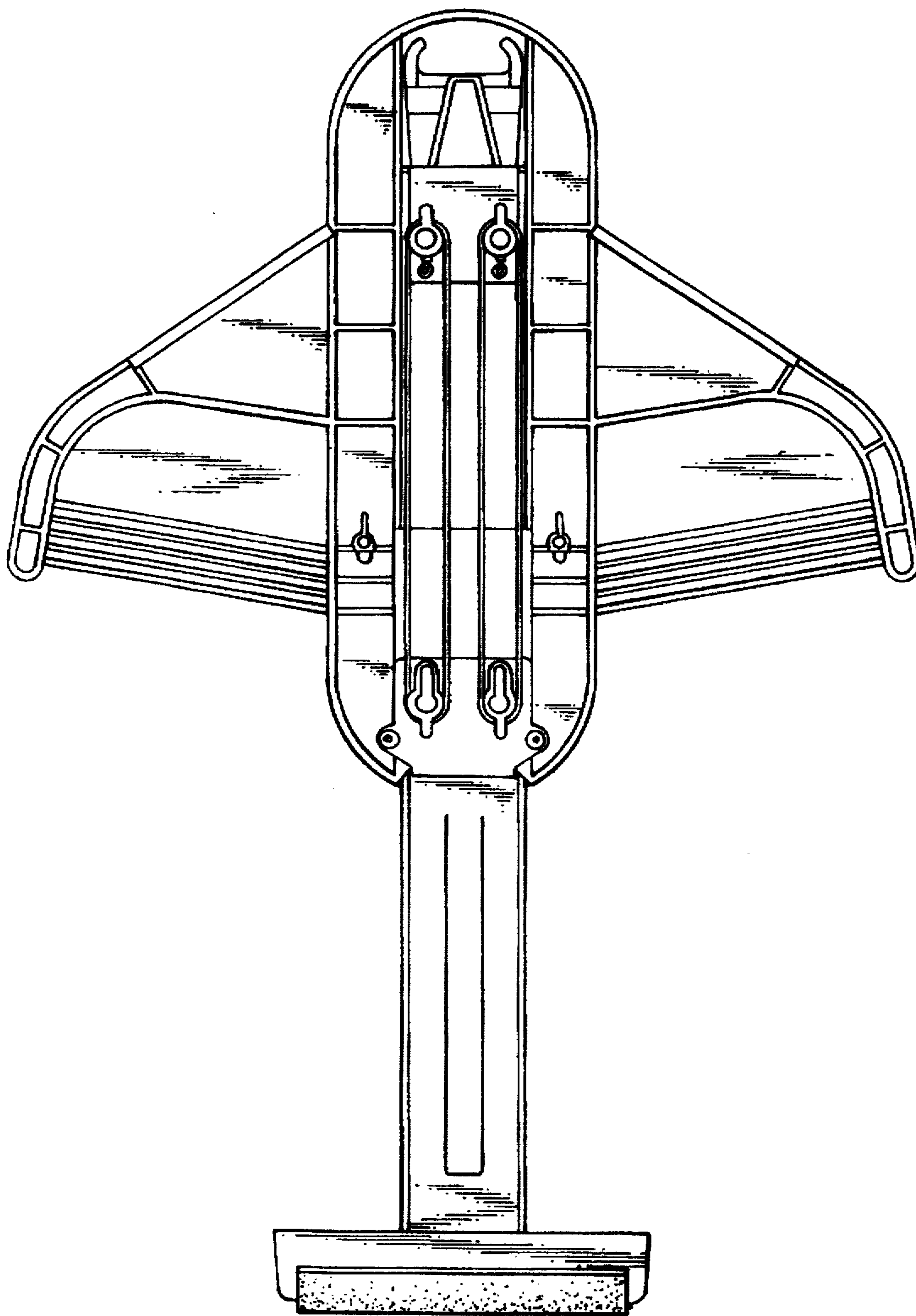
F I G. 2



F I G. 3



F I G. 6



F I G . 8