

US00D387397S

# United States Patent [19]

Zheng

[11] Patent Number: Des. 387,397

[45] Date of Patent: \*\*Dec. 9, 1997

[54] CONSTRUCTIONAL TOY PIECE

[76] Inventor: Yu Zheng, 1065 Howard Ave., Covina, Calif. 91722

[\*\*] Term: 14 Years

[21] Appl. No.: 57,051

[22] Filed: Jul. 15, 1996

[51] LOC (6) Cl. .... 21-01

[52] U.S. Cl. .... D21/108

[58] Field of Search ..... D21/108; D25/113-118; 446/106, 125, 127, 114; 52/606, 596, 604, 605, 102

3,023,890	3/1962	Scholten .....	D21/108
3,701,214	10/1972	Sakamoto .	
3,855,752	12/1974	Aylon .....	52/605
4,107,894	8/1978	Mullins .	
4,182,072	1/1980	Much .	
4,740,188	4/1988	Coster .	
5,215,490	6/1993	Szoradi .....	446/125
5,281,181	1/1994	McCollum .....	446/106

Primary Examiner—Raphael Barkai  
Attorney, Agent, or Firm—Raymond Sun

### [57] CLAIM

The ornamental design for a constructional toy piece, as shown and described.

### DESCRIPTION

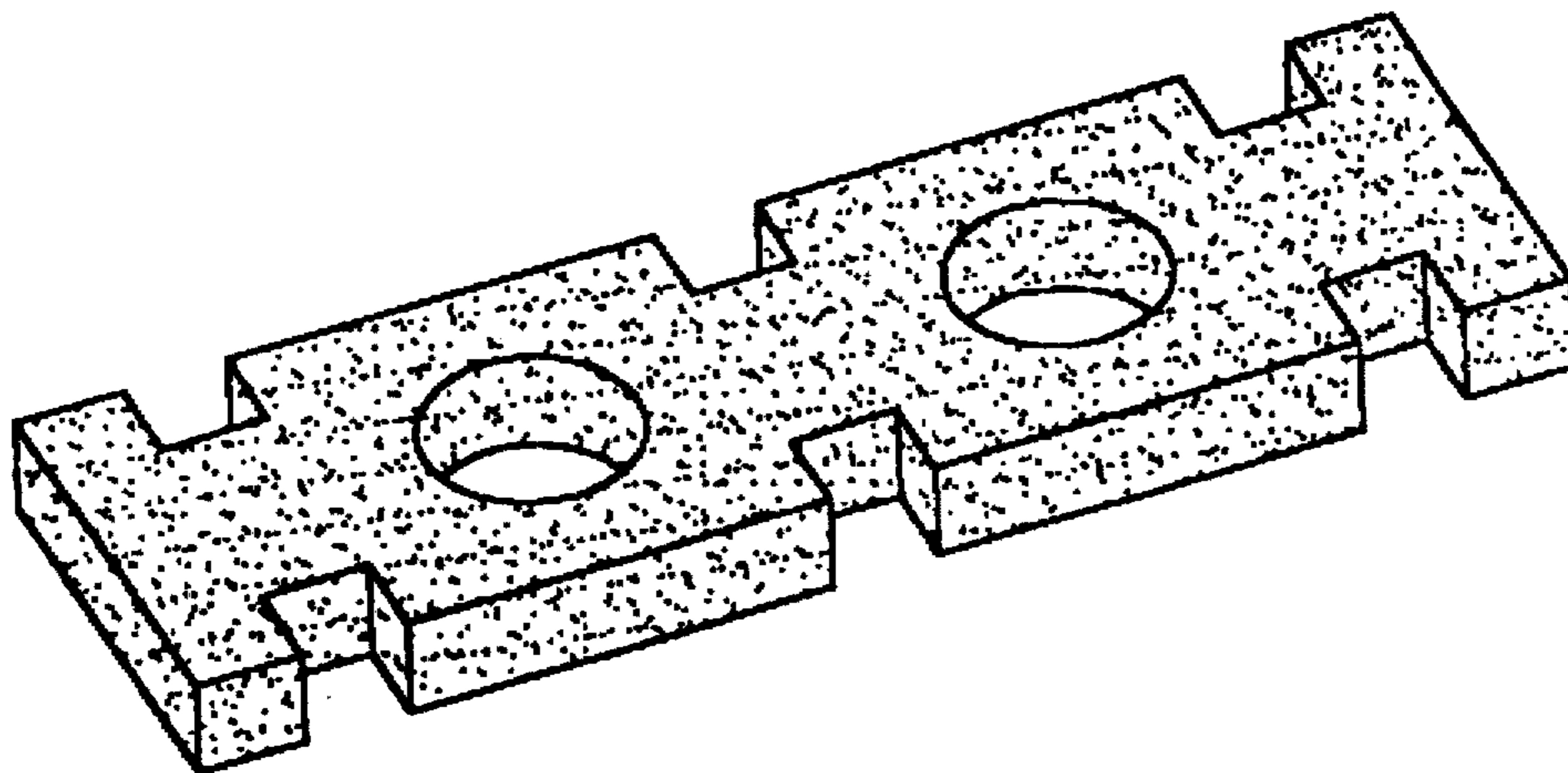
FIG. 1 is a perspective view of my constructional toy piece; FIG. 2 is front plan view of the constructional toy piece of FIG. 1, the rear view being identical thereto; FIG. 3 is a top plan view of the constructional toy piece of FIG. 1, the bottom plan view being identical thereto; and, FIG. 4 is a left side elevational view of the constructional toy piece of FIG. 1, the right side elevational view being identical thereto.

1 Claim, 1 Drawing Sheet

### [56] References Cited

#### U.S. PATENT DOCUMENTS

D. 4,058	5/1870	Ellis .....	D21/108
D. 236,221	8/1975	McAllister et al. ....	D21/108
D. 245,435	8/1977	Gnehm .....	D21/108
D. 247,132	1/1978	Gnehm .....	D21/108
D. 252,951	9/1979	Schuring .	
1,163,851	12/1915	Pringle .....	D21/108
1,562,006	11/1925	Sichterman .....	446/106
1,882,607	3/1932	Howard .	
2,712,200	7/1955	Dearling .	



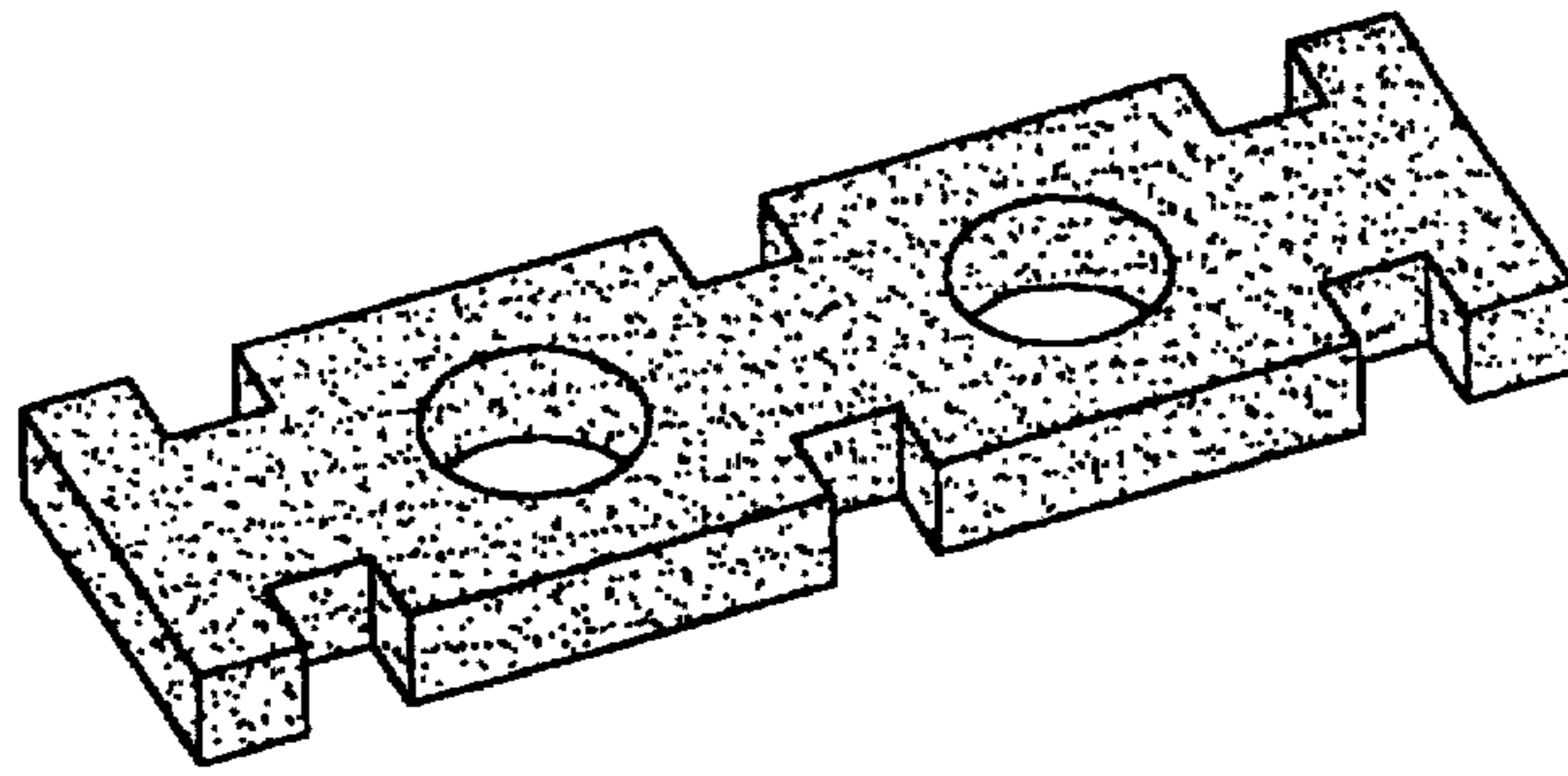


FIG. 1

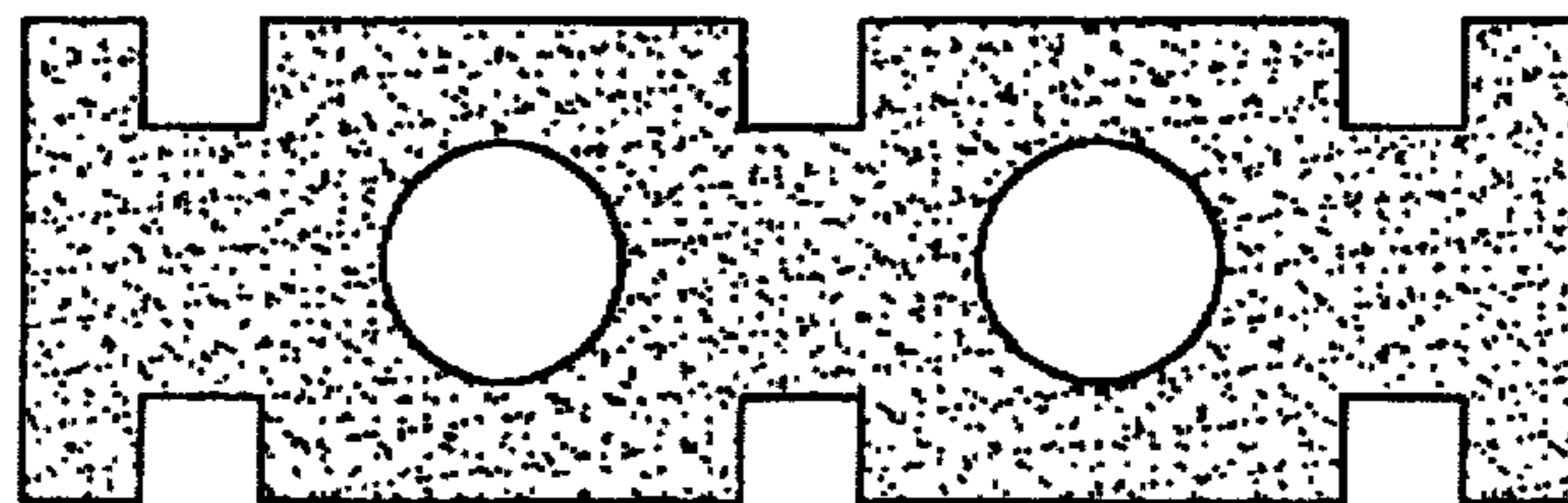


FIG. 2



FIG. 3

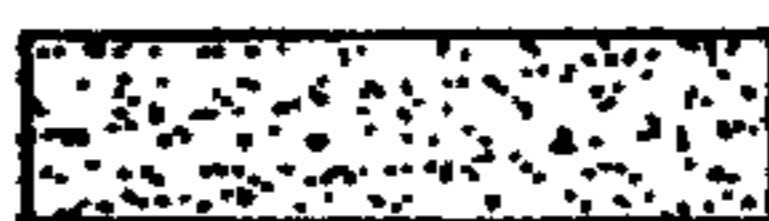


FIG. 4