



US00D387395S

United States Patent [19] Silberstein

[11] Patent Number: Des. 387,395
[45] Date of Patent: **Dec. 9, 1997

[54] **THREE ARM MOBILE**

[75] Inventor: **Michael Silberstein**, 2727 Inverness Dr., La Jolla, Calif. 92037

[73] Assignee: **Michael Silberstein**, La Jolla, Calif.

[**] Term: **14 Years**

[21] Appl. No.: **55,677**

[22] Filed: **Jun. 10, 1996**

[51] LOC (6) Cl. **21-01**

[52] U.S. Cl. **D21/63**

[58] Field of Search D21/59, 63; D11/141; 446/227; 40/411, 473

[56] **References Cited**

U.S. PATENT DOCUMENTS

- D. 258,301 2/1981 Nakao et al. D21/63
- D. 261,783 11/1981 Nakao et al. D21/63

- D. 323,192 1/1992 Takahashi et al. D21/63
- D. 324,351 3/1992 Shing D11/141
- D. 356,346 3/1995 Yip D21/63
- 3,919,795 11/1975 Van Horne et al. 446/227 X
- 4,904,220 2/1990 Williams et al. 446/227

Primary Examiner—Dominic Simone
Attorney, Agent, or Firm—Stetina Brunda & Buyan

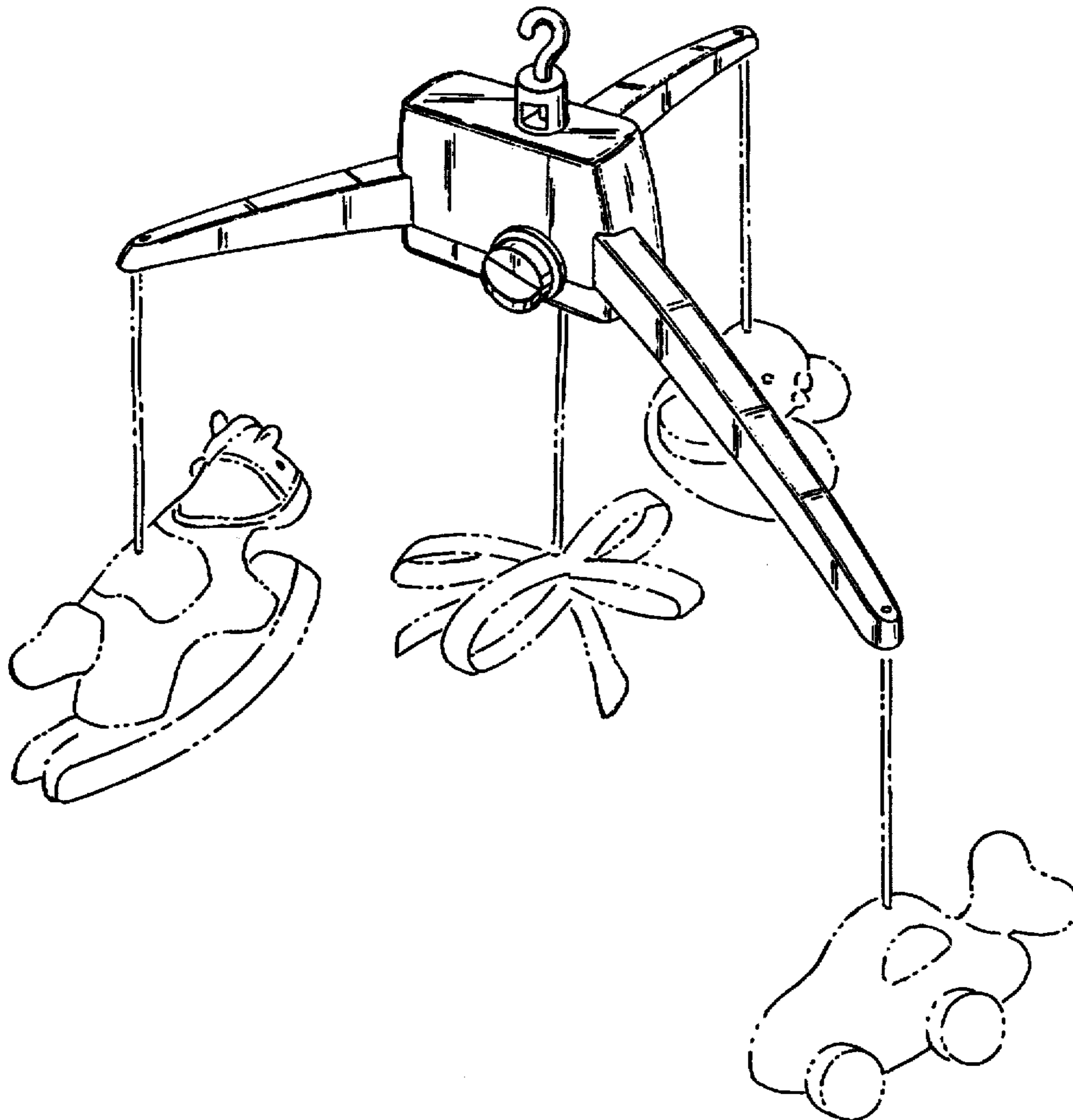
[57] **CLAIM**

The ornamental design for a three arm mobile, as shown and described.

DESCRIPTION

FIG. 1 is a top front perspective view of a three arm mobile showing my new design, the toys shown in broken lines for illustrative purposes only and form no part of the claim; FIG. 2 is an inverted bottom perspective view thereof; FIG. 3 is a top plan view thereof; and, FIG. 4 is a side elevational view thereof.

1 Claim, 2 Drawing Sheets



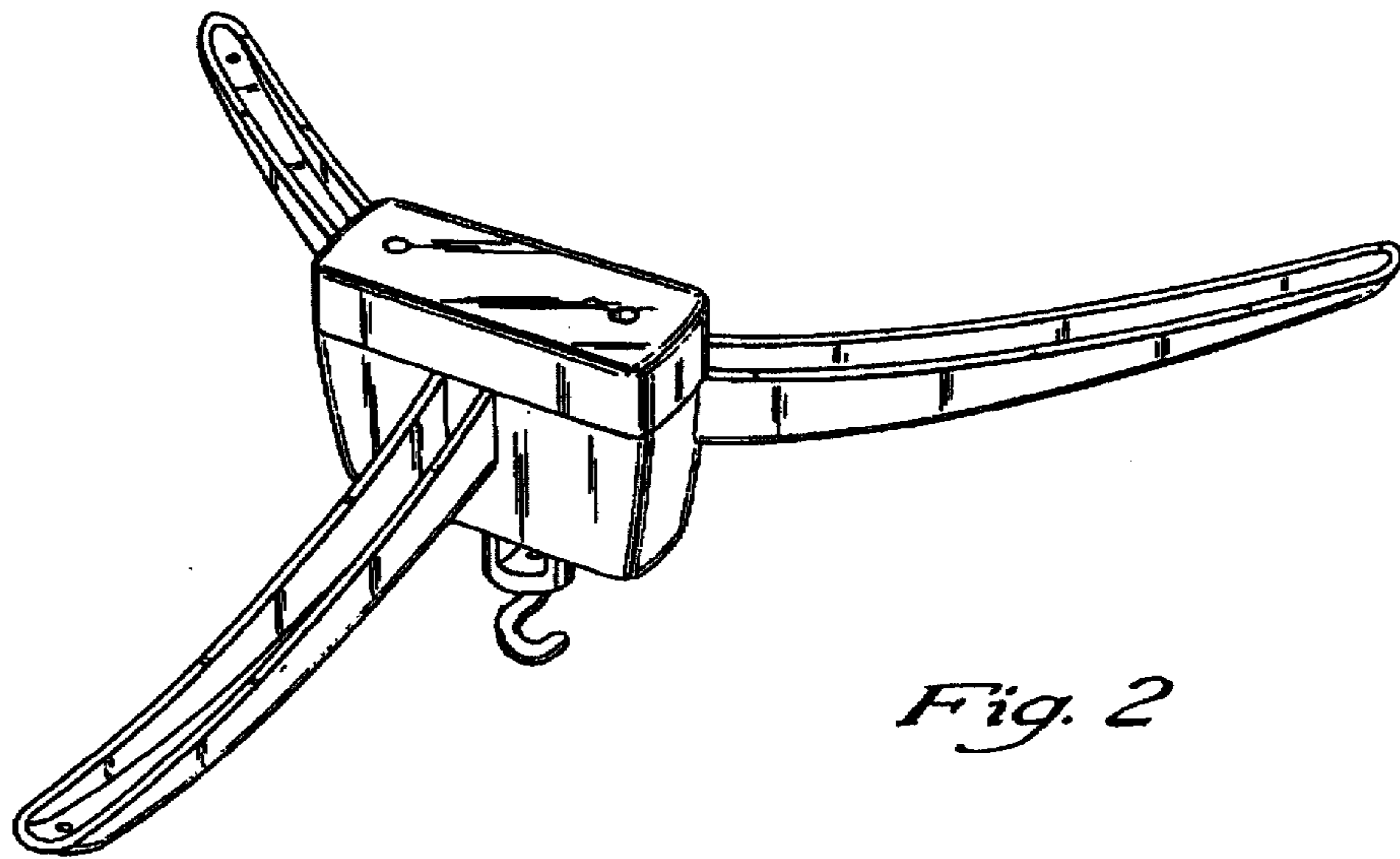
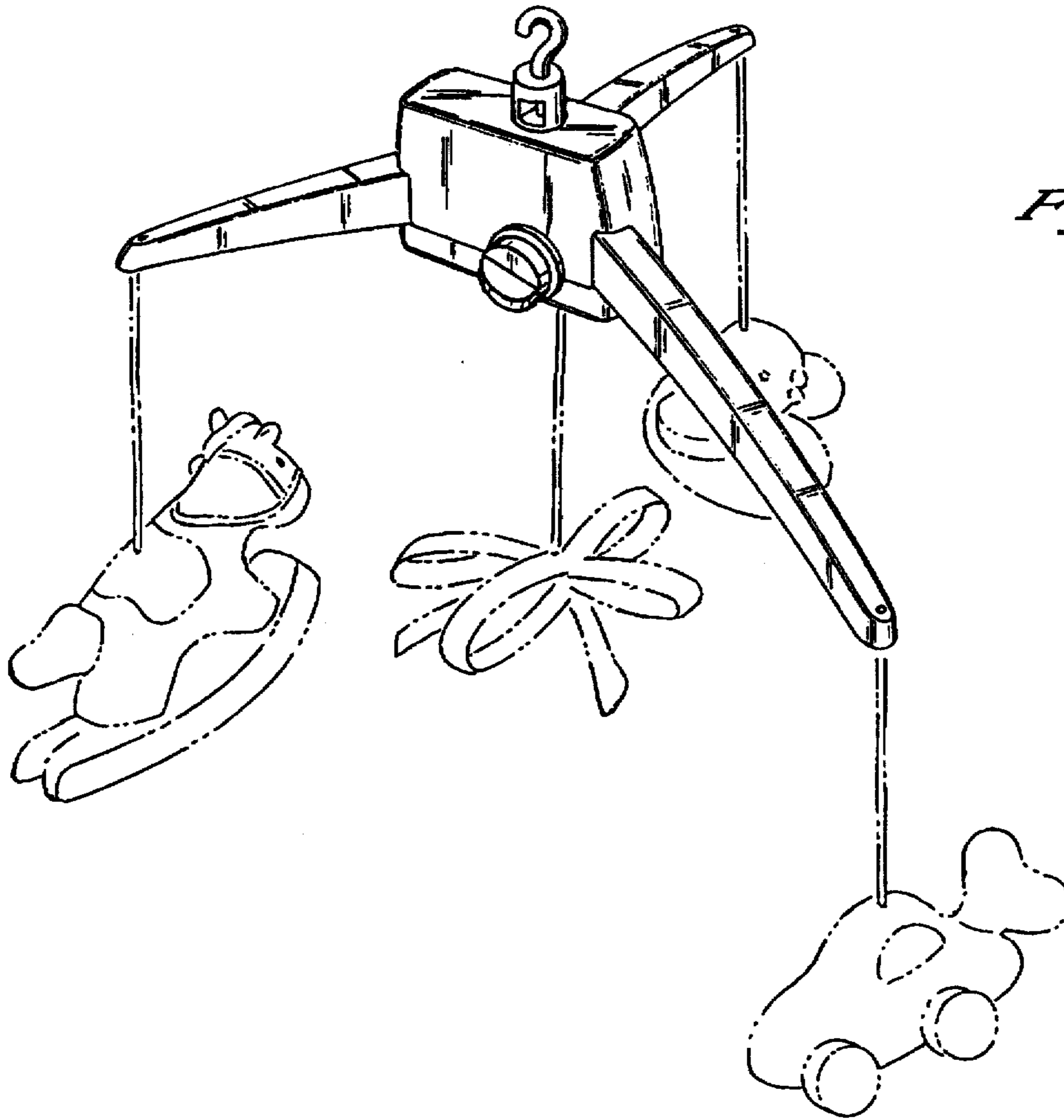


Fig. 3

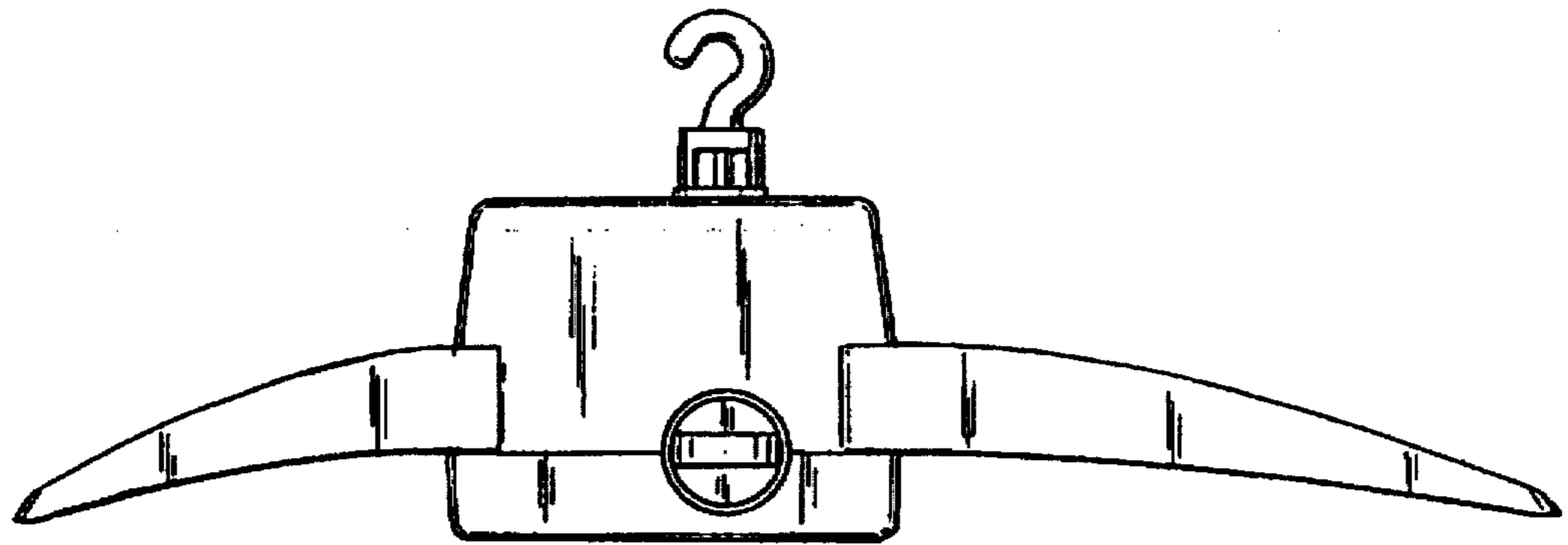
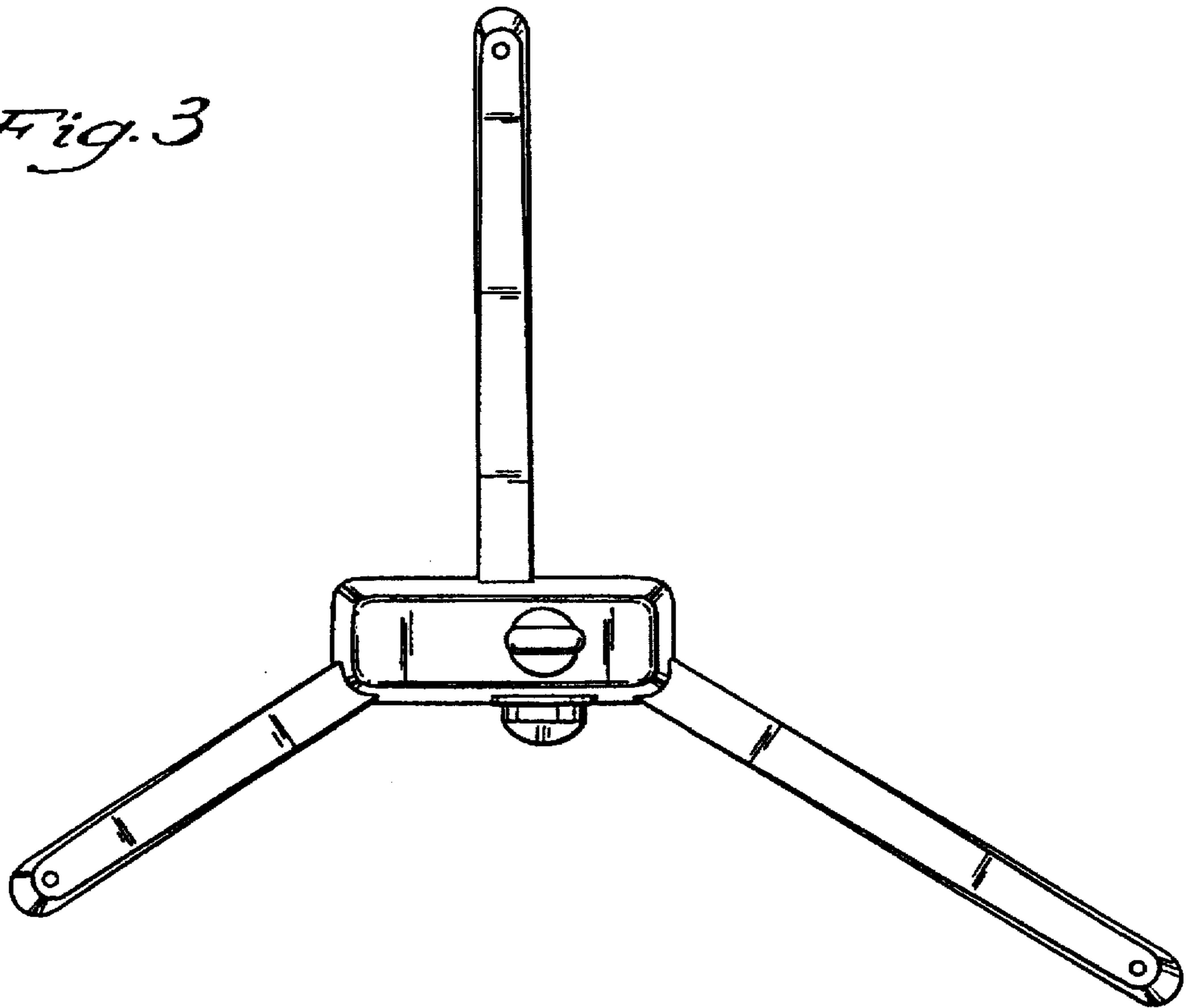


Fig. 4