



US00D387392S

United States Patent [19]
Lien

[11] **Patent Number:** **Des. 387,392**
[45] **Date of Patent:** ****Dec. 9, 1997**

[54] **JOY PAD**

[75] **Inventor:** **Ming Yu Lien, Hsin Tien, Taiwan**

[73] **Assignee:** **Sysgration Ltd., Hsin Tien, Taiwan**

[**] **Term:** **14 Years**

[21] **Appl. No.:** **58,141**

[22] **Filed:** **Aug. 8, 1996**

[51] **LOC (6) Cl.** **21-01**

[52] **U.S. Cl.** **D21/48; D21/13**

[58] **Field of Search** **D21/1, 48, 13;**
273/148 B; 463/30-36, 40-47; D14/114,
124, 217

[56] **References Cited**

U.S. PATENT DOCUMENTS

D. 342,100	12/1993	Chan	D21/48
D. 349,527	8/1994	Date	D21/48
D. 353,410	12/1994	Chan	D21/48
D. 356,607	3/1995	Feng	D21/48
D. 357,286	4/1995	Feng	D21/48
D. 363,321	10/1995	Hsien	D21/48
5,184,830	2/1993	Okada et al.	463/29

FOREIGN PATENT DOCUMENTS

6285259 10/1994 Japan 273/438

OTHER PUBLICATIONS

Hong Kong Enterprise, Oct. 1994, p. 137.

Hong Kong Enterprise, Oct. 1994, p. 245.

Primary Examiner—Prabakar Deshmukh

Attorney, Agent, or Firm—Bacon & Thomas

[57] **CLAIM**

The ornamental design for a joy pad, as shown and described.

DESCRIPTION

FIG. 1 is a perspective view of a joy pad showing my design;

FIG. 2 is a front perspective view thereof;

FIG. 3 is a rear perspective view thereof;

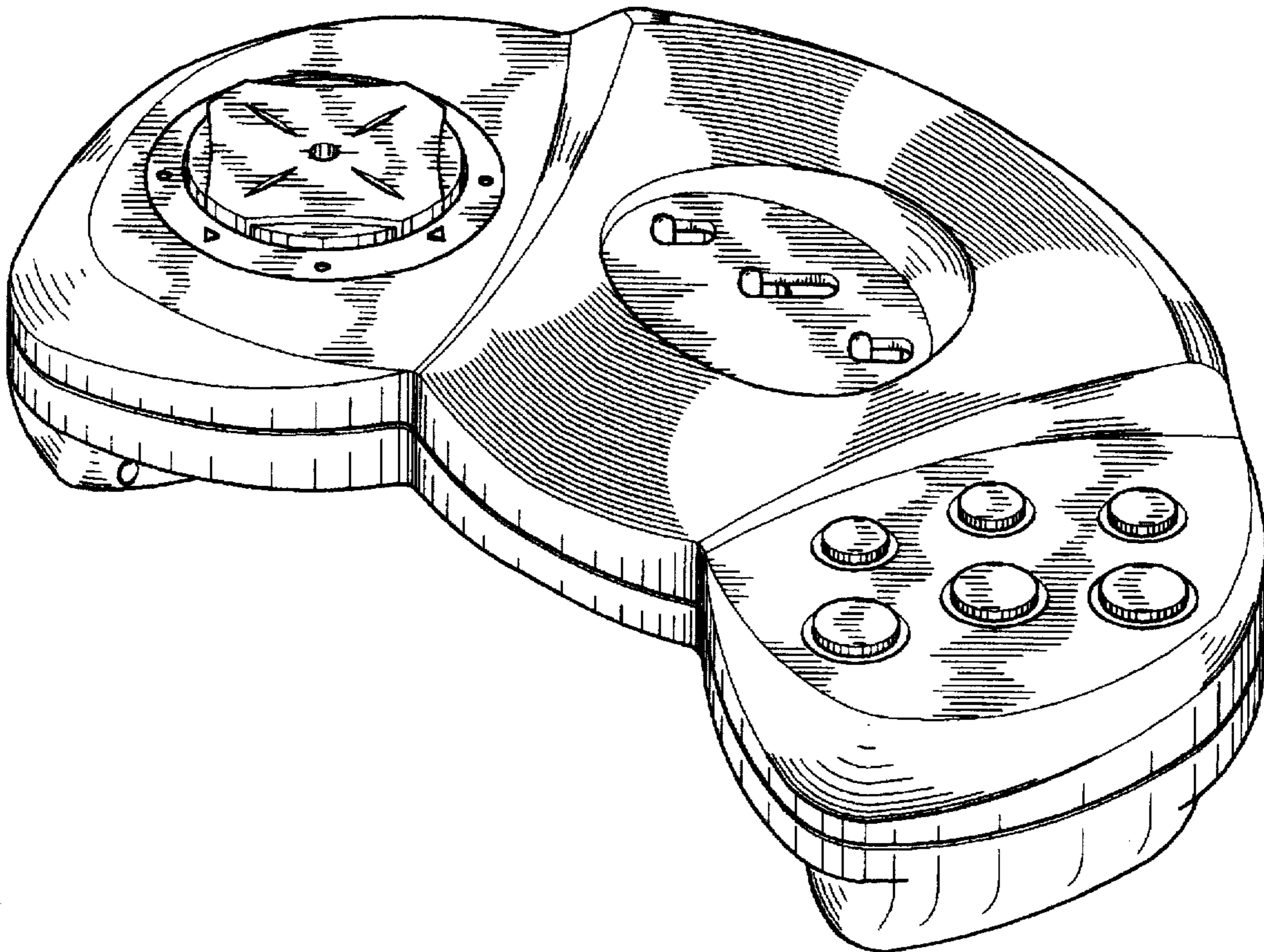
FIG. 4 is a left side elevation view thereof;

FIG. 5 is a right rear perspective view thereof;

FIG. 6 is a top plan view thereof; and,

FIG. 7 is a bottom plan view thereof.

1 Claim, 4 Drawing Sheets



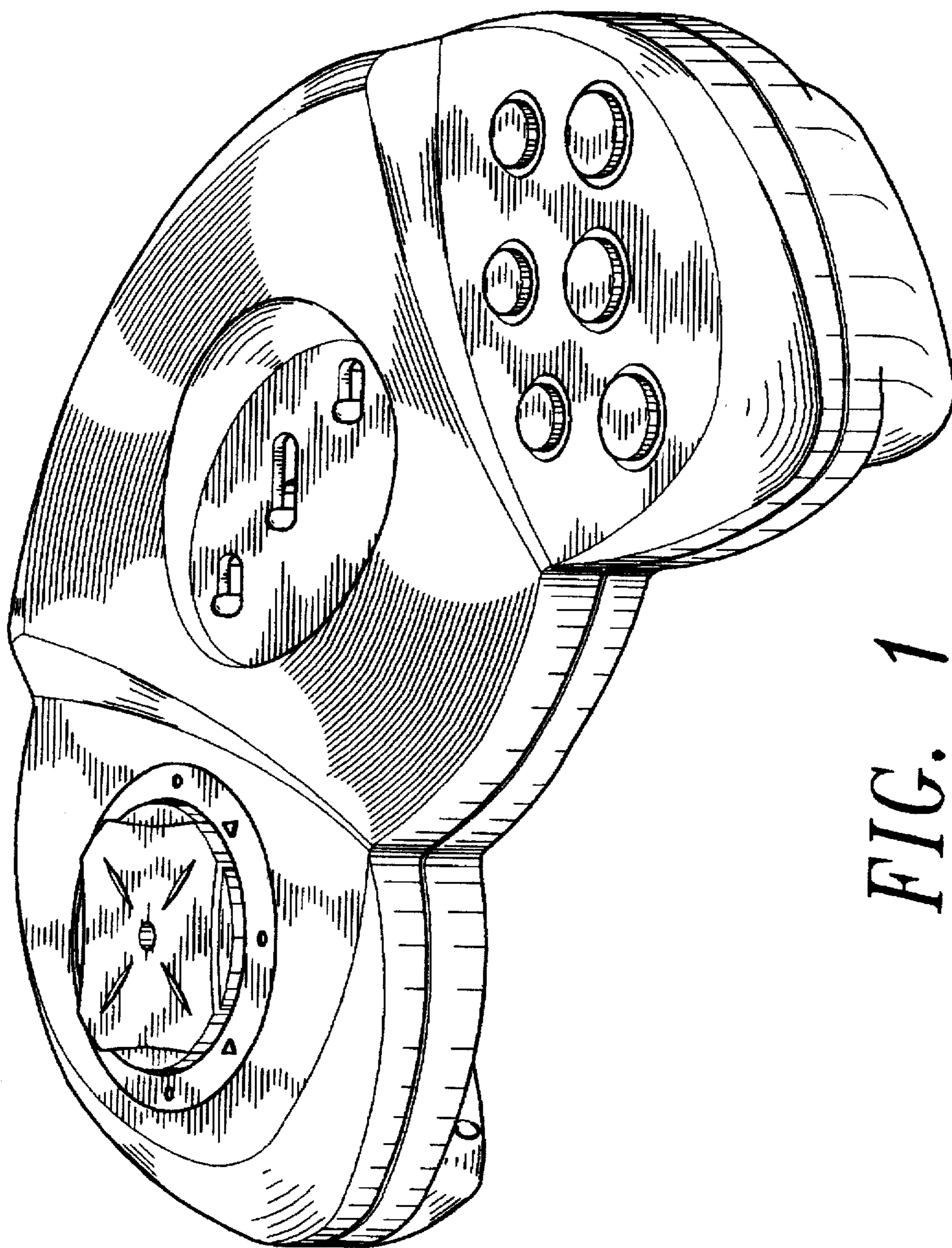


FIG. 1

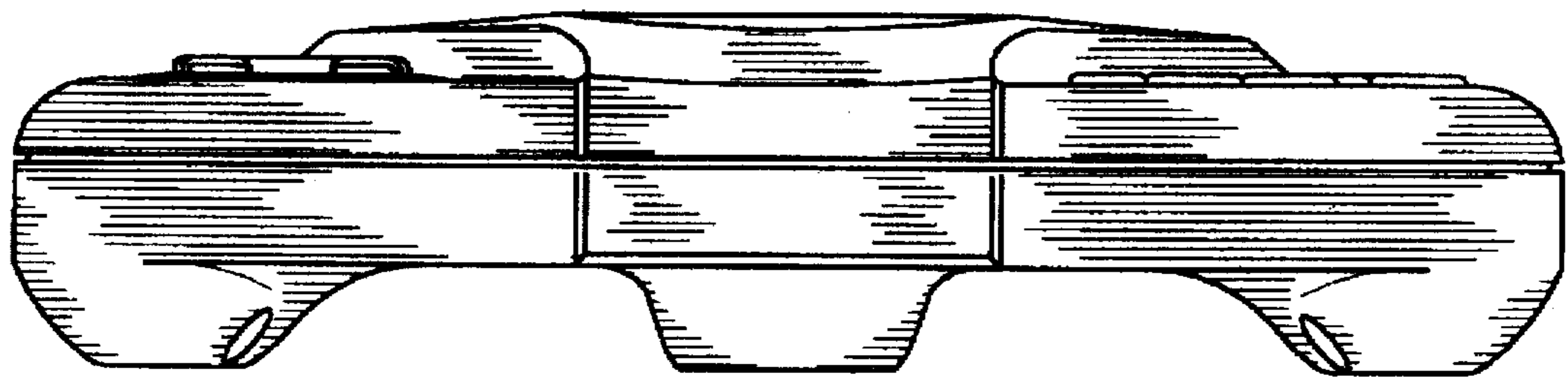


FIG. 2

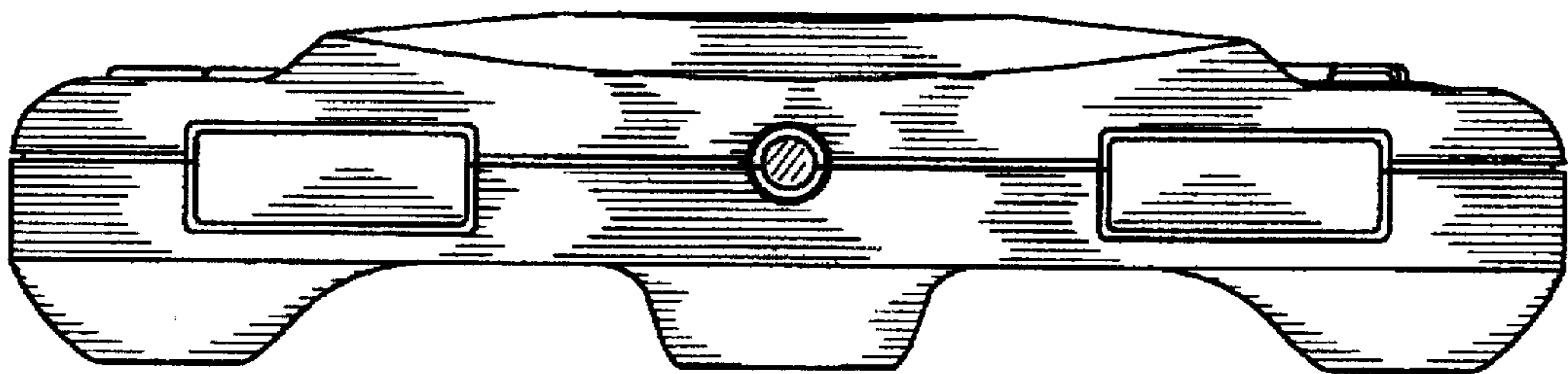


FIG. 3

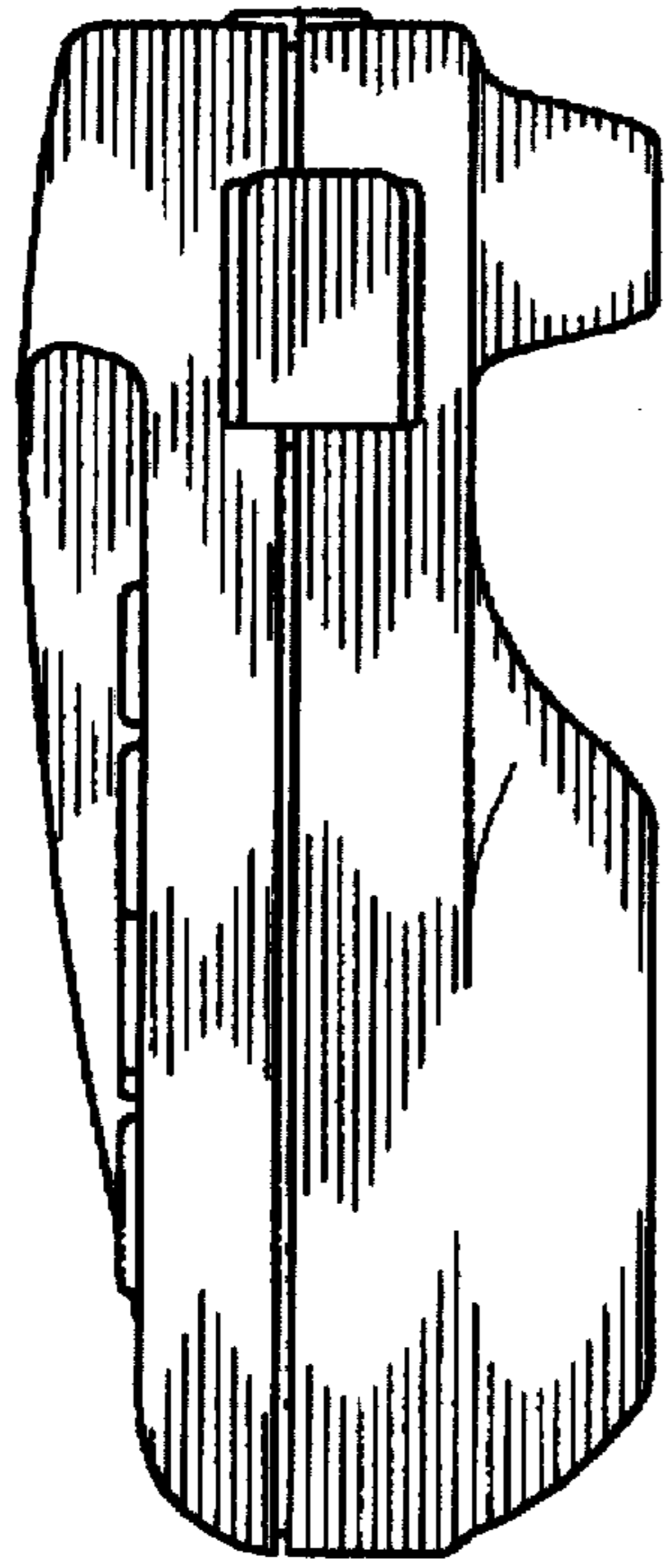


FIG. 4

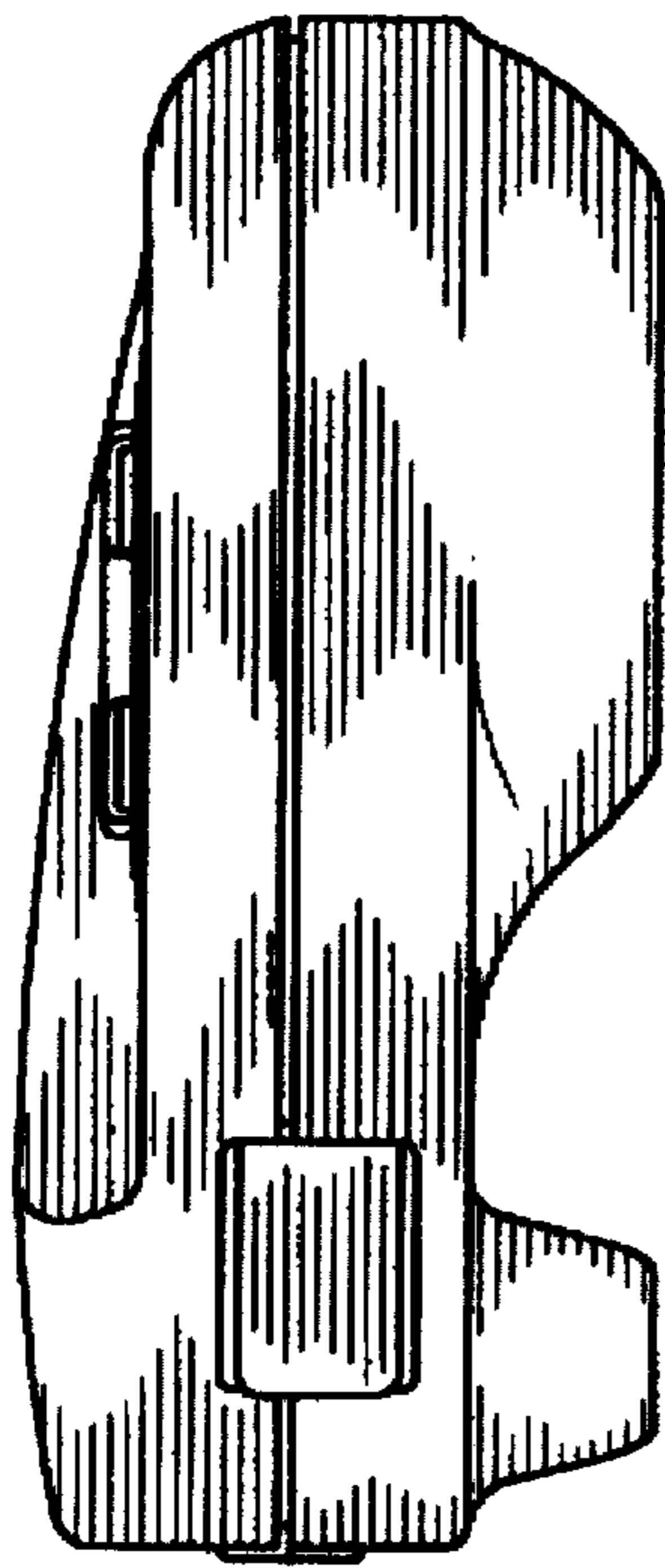


FIG. 5

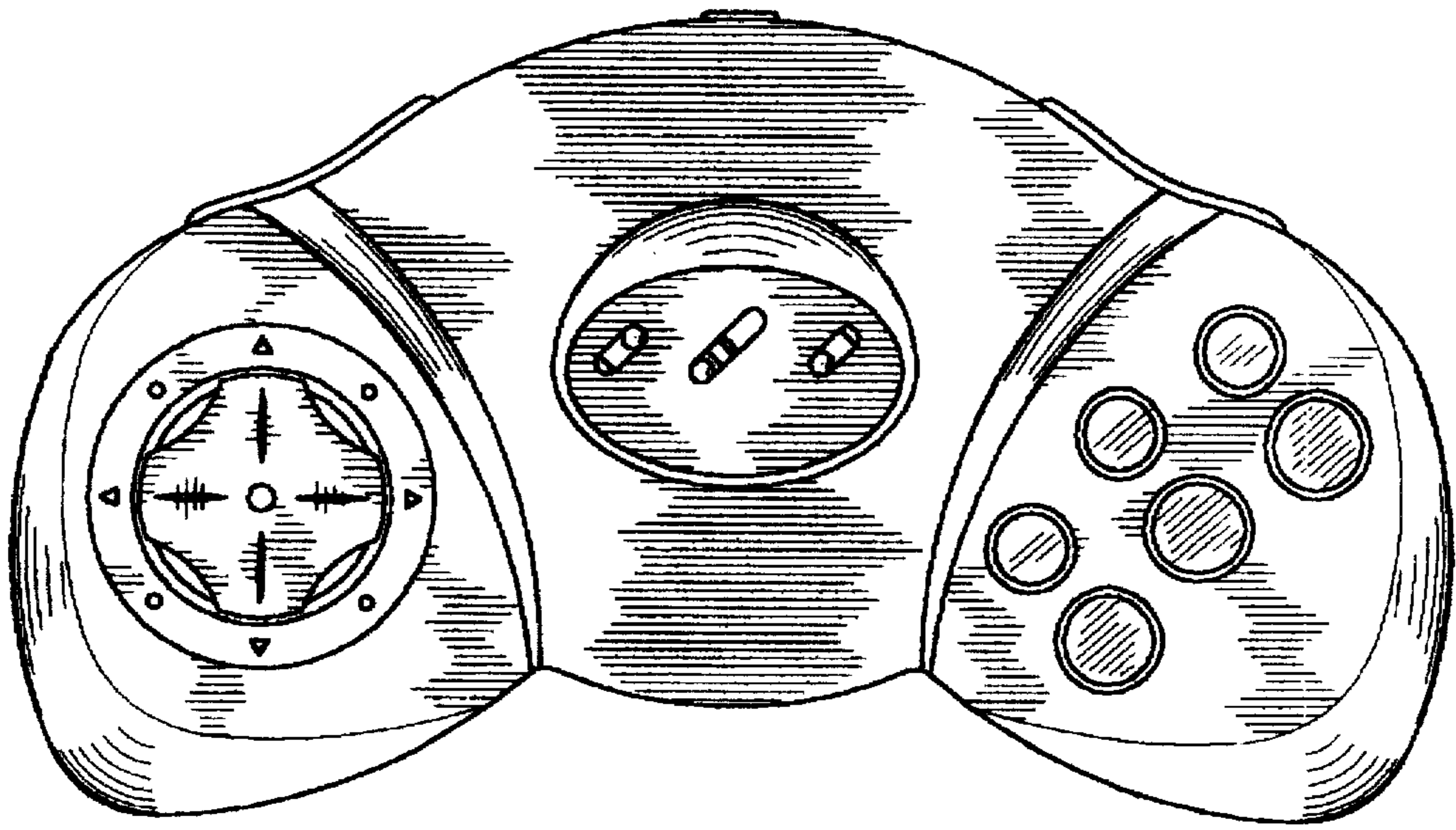


FIG. 6

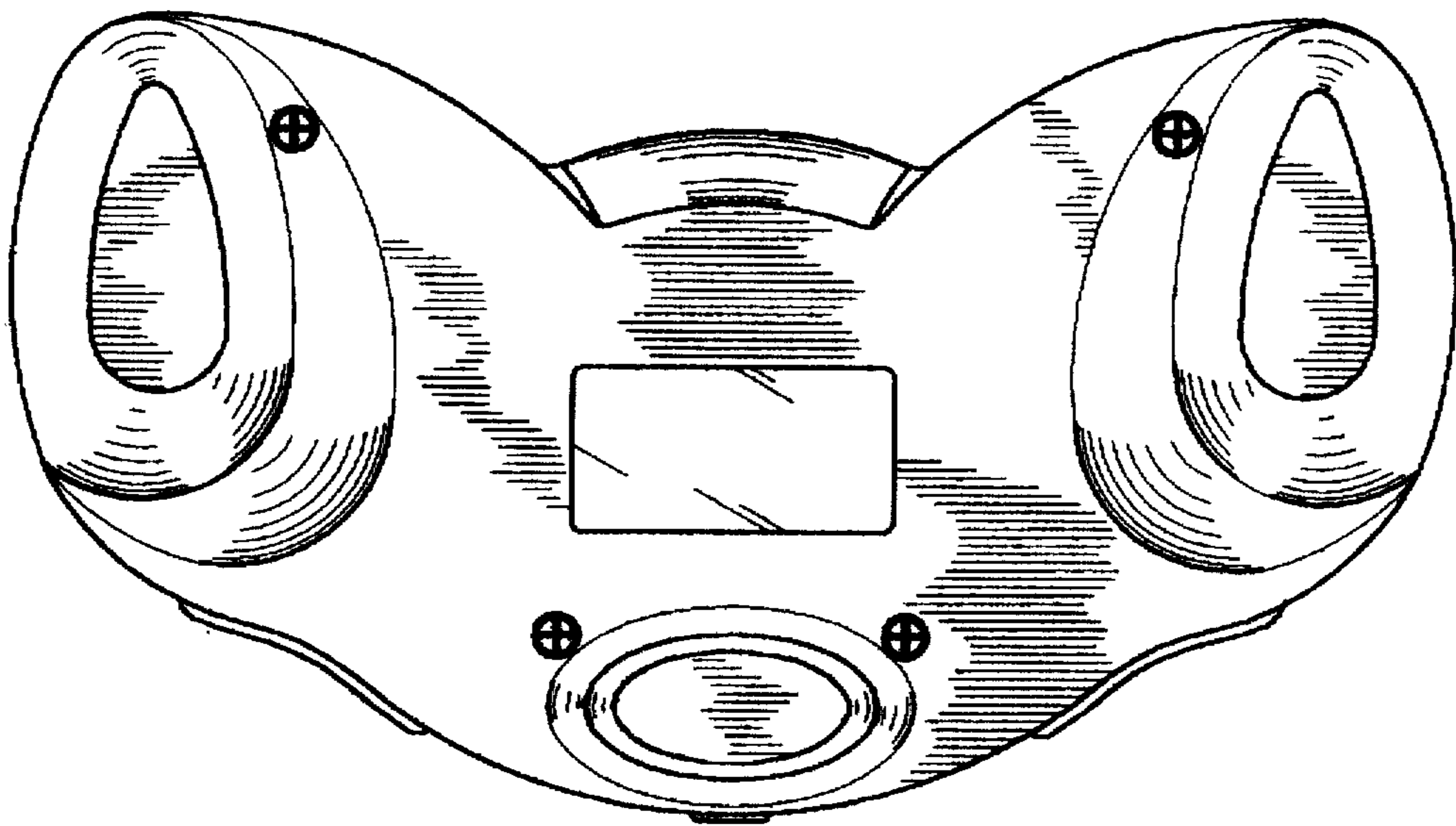


FIG. 7