



US00D387390S

United States Patent [19] Seiler

[11] Patent Number: **Des. 387,390**

[45] Date of Patent: ****Dec. 9, 1997**

[54] **MULTI-LEVEL GAME BOARD**

2237213 5/1991 United Kingdom 273/241

[76] Inventor: **Michael Seiler**, 10 Elmwood Ct.,
Plainview, N.Y. 11803

OTHER PUBLICATIONS

Playthings, Dec. 1964, p. 72 Game.
Adult Games Catalog, 1977. p.1 Game #501 Checkline
Game.

[**] Term: **14 Years**

Primary Examiner—Sandra L. Morris
Attorney, Agent, or Firm—Collard & Roe, P.C.

[21] Appl. No.: **50,188**

[22] Filed: **Feb. 12, 1996**

[57] CLAIM

[51] LOC (6) Cl. **21-01**

[52] U.S. Cl. **D21/23**

[58] Field of Search D21/14-36; 273/236-285

The ornamental design for a multi-level game board, as
shown and described.

[56] References Cited

DESCRIPTION

U.S. PATENT DOCUMENTS

FIG. 1 is a perspective view of a multi-level game board,
showing my new design;

D. 296,798 7/1988 Smith D21/23

FIG. 2 is a top plan view thereof;

D. 348,908 7/1994 Seiler D21/23

FIG. 3 is a left side elevational view thereof, the right side
elevational view being identical; and,

3,684,285 8/1972 Kane 273/241

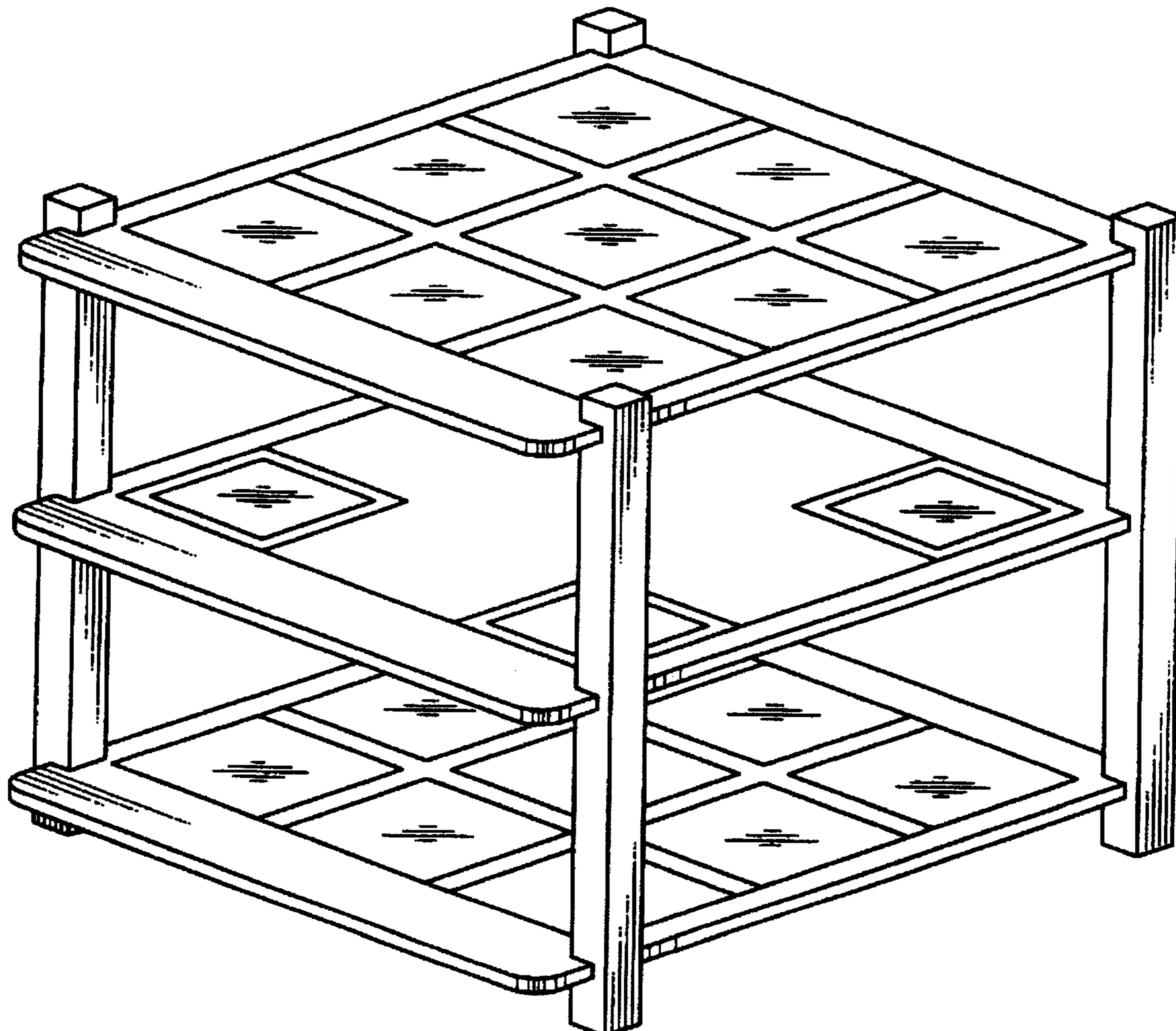
FIG. 4 is a front elevational view thereof, the rear elevational
view being a mirror image thereof.

5,338,040 8/1994 Cutler 273/241

FOREIGN PATENT DOCUMENTS

1109204 4/1968 United Kingdom 273/241

1 Claim, 2 Drawing Sheets



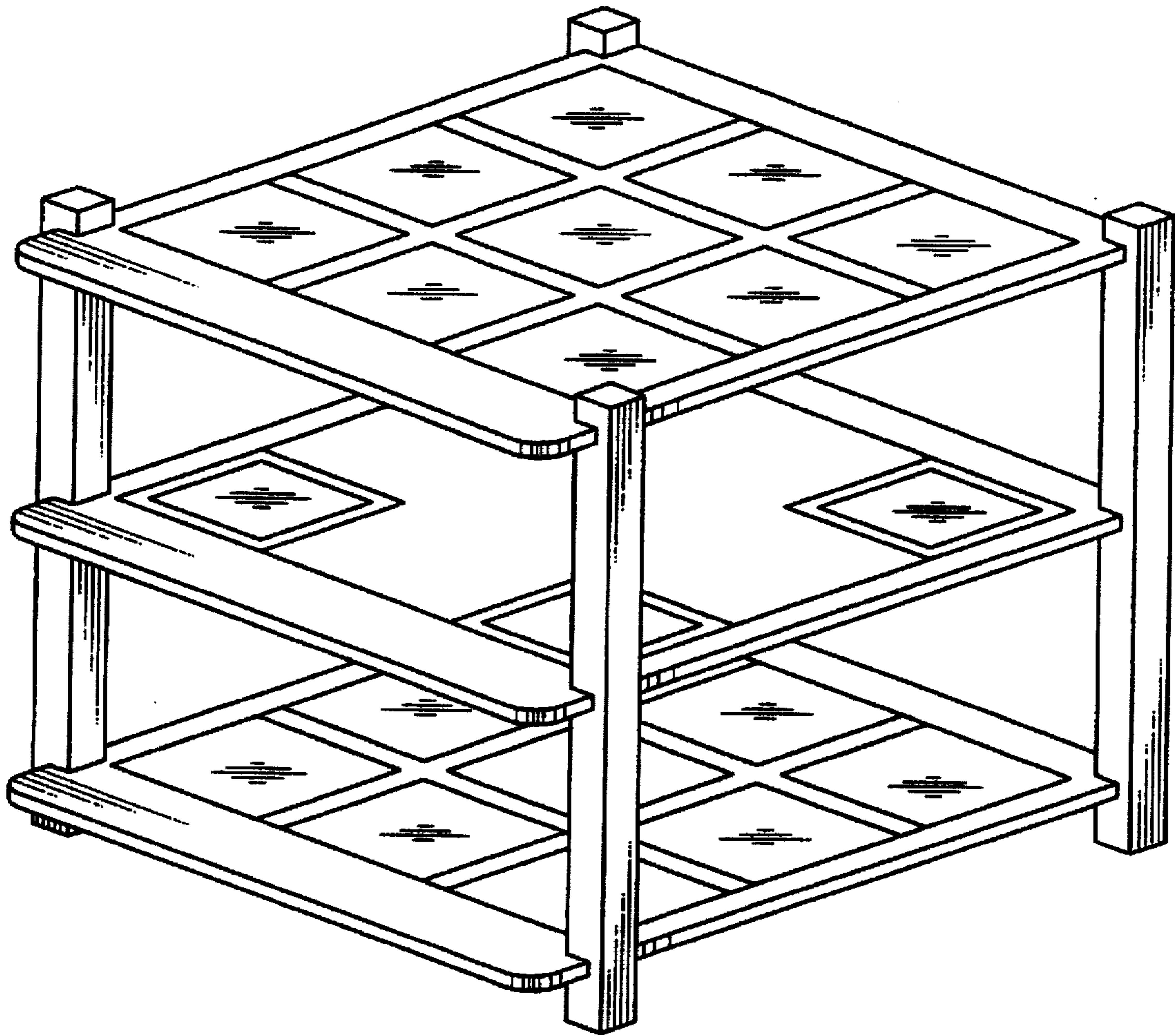


Fig. 1

Fig. 2

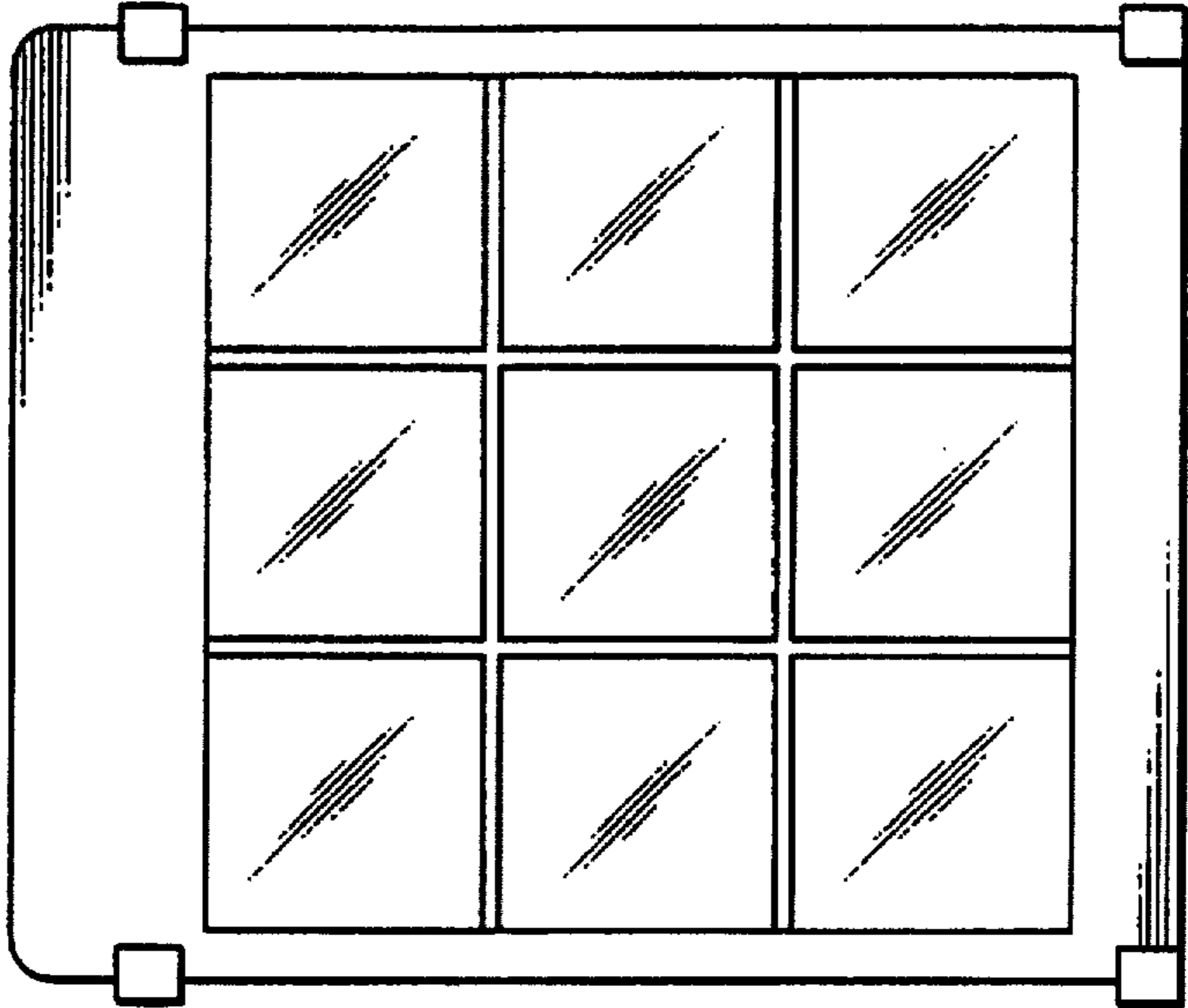


Fig. 3

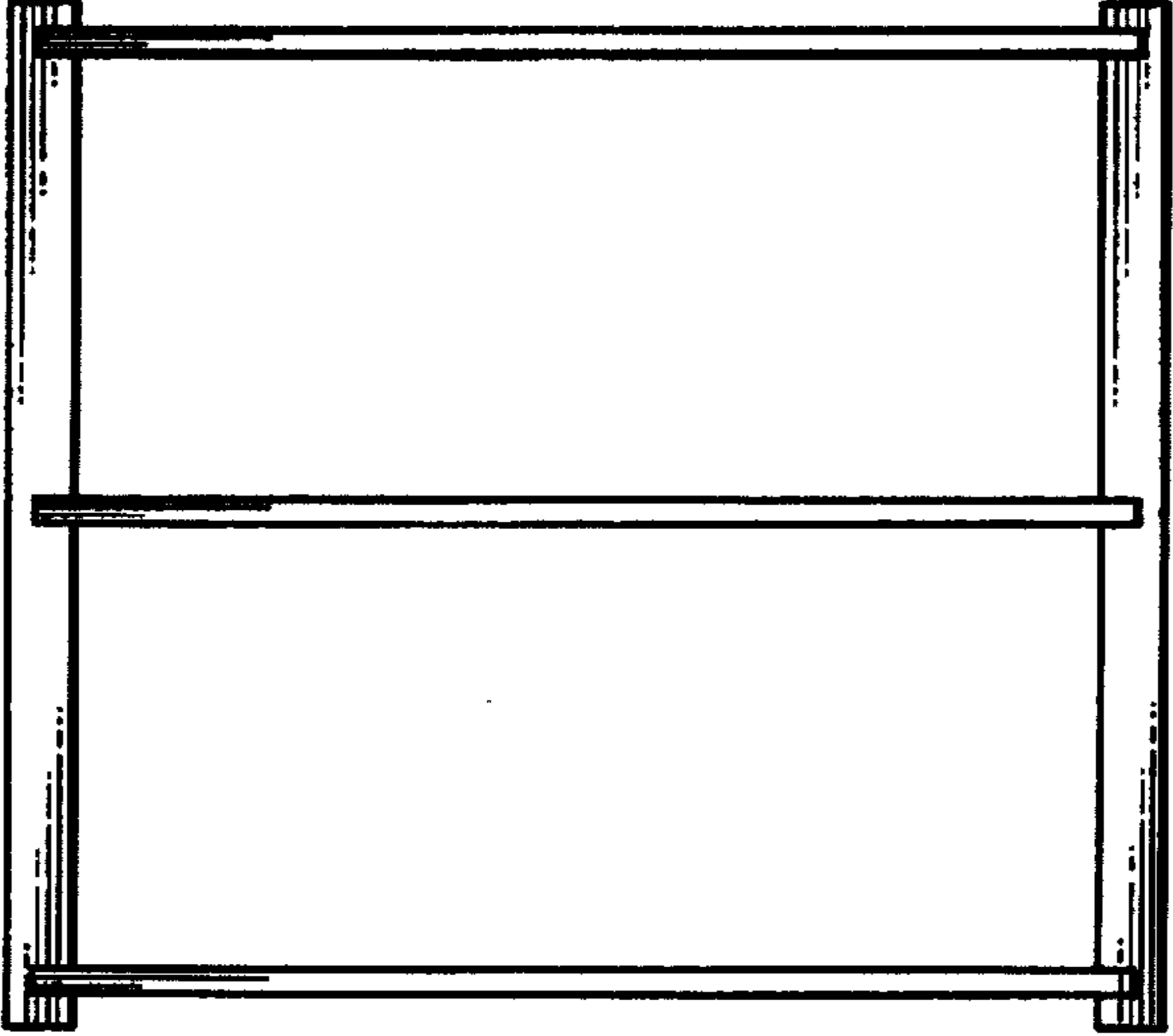


Fig. 4

