



US00D387389S

**United States Patent** [19]  
**Hampton**

[11] **Patent Number:** **Des. 387,389**

[45] **Date of Patent:** **\*\*Dec. 9, 1997**

[54] **WATER GAME COLUMN**  
[76] **Inventor:** **Terry Hampton, 404 E. Jackson,  
Tekonsha, Mich. 49092**  
[\*\*] **Term:** **14 Years**  
[21] **Appl. No.:** **49,374**  
[22] **Filed:** **Jan. 24, 1996**  
[51] **LOC (6) Cl.** ..... **21-01**  
[52] **U.S. Cl.** ..... **D21/12; D21/240**  
[58] **Field of Search** ..... **D21/240, 5, 12,  
D21/59; 273/349, 457, 458**

3,572,712 3/1971 Vick ..... 273/349  
4,040,622 8/1977 Sinnott ..... 273/349  
5,439,230 8/1995 Mendes, Jr. .... 273/349

*Primary Examiner*—Raphael Barkai  
*Assistant Examiner*—Mitchell I. Siegel  
*Attorney, Agent, or Firm*—Barnes, Kisselle, Raisch, Choate,  
Whittemore & Hulbert

[57] **CLAIM**

The ornamental design for a water game column, as shown.

**DESCRIPTION**

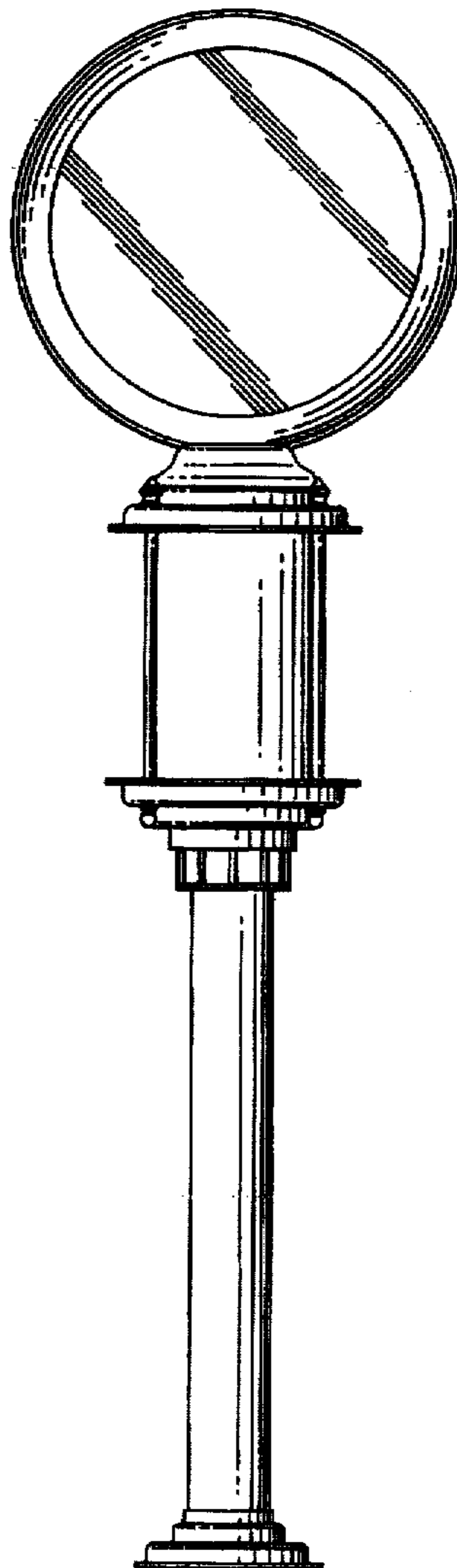
FIG. 1 is a front elevational view of the water game column;  
FIG. 2 is a side elevational view of the water game column,  
the opposing side elevational view being identical thereto;  
FIG. 3 is a rear elevational view of the water game column;  
FIG. 4 is a top plan view of the water game column; and,  
FIG. 5 is a reduced perspective view of the water game  
column.

[56] **References Cited**

**U.S. PATENT DOCUMENTS**

D. 341,856 11/1993 Silverman ..... D21/12  
2,759,731 8/1956 Quinn ..... 273/349  
3,336,030 8/1967 Martell et al. .... 273/349  
3,342,492 9/1967 Barrett ..... 273/349  
3,362,713 1/1968 Miller ..... 273/349

**1 Claim, 2 Drawing Sheets**



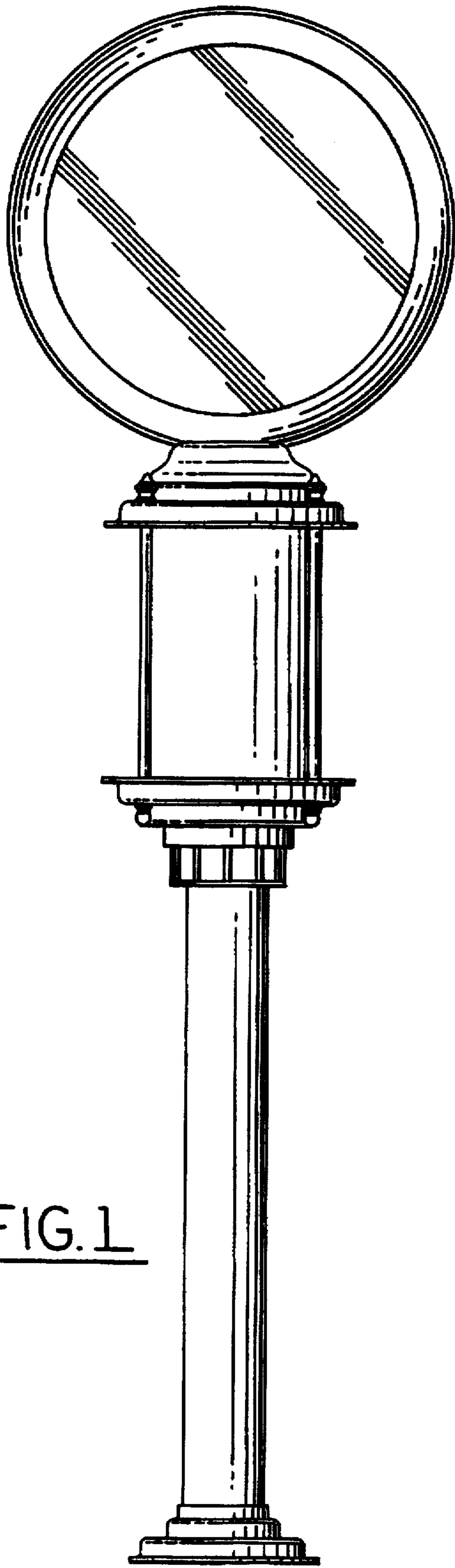


FIG. 1

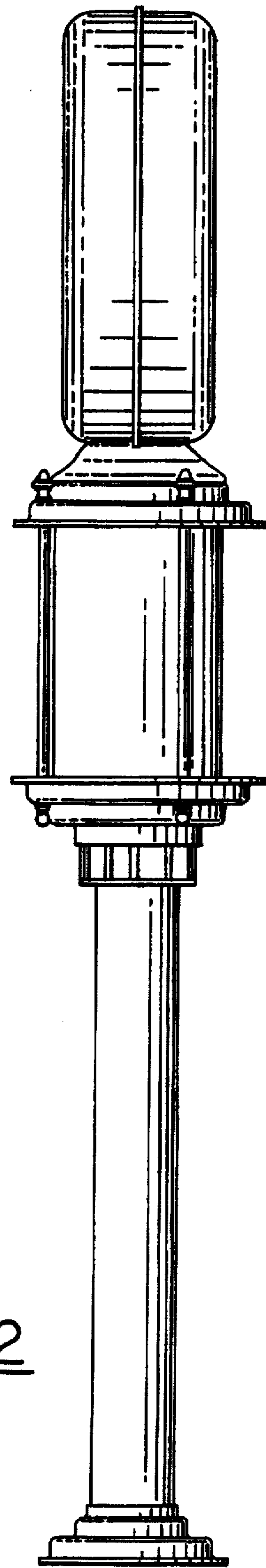


FIG. 2

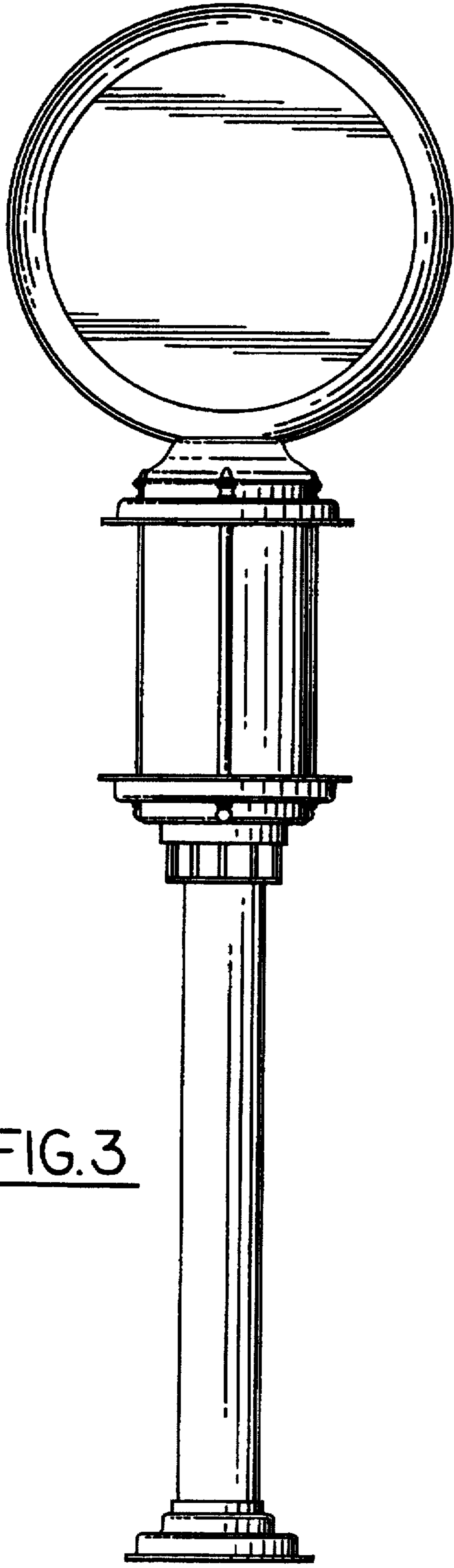


FIG. 3

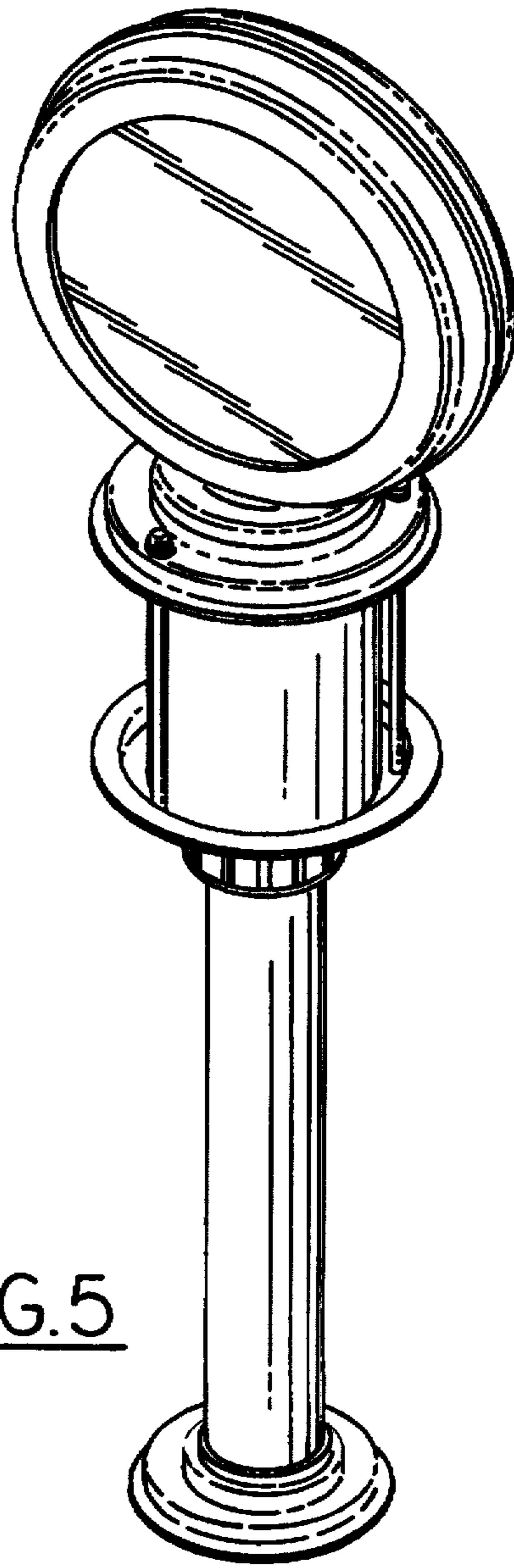


FIG. 5

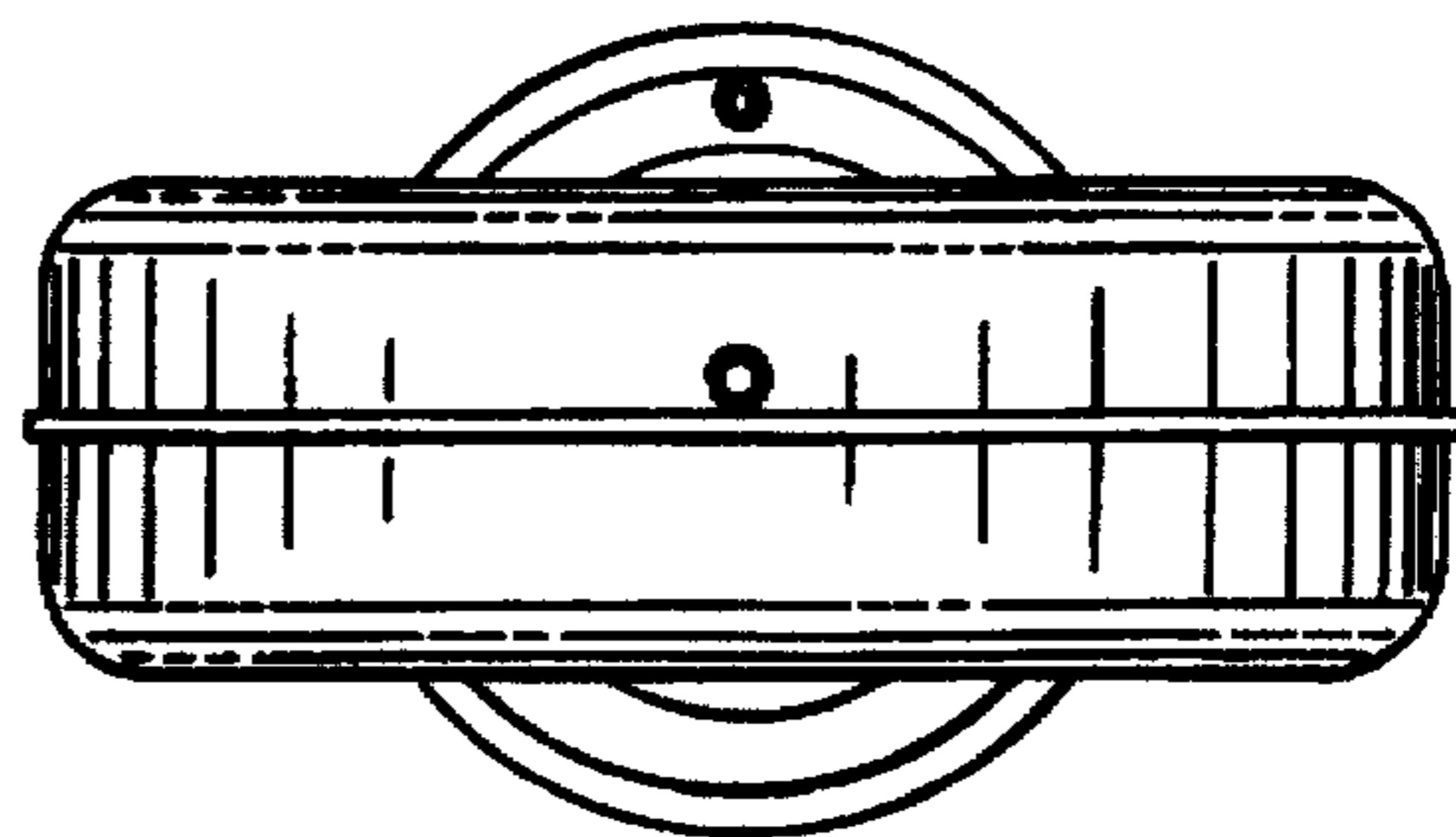


FIG. 4