



US00D387386S

# United States Patent [19]

Tegtmeier et al.

[11] Patent Number: **Des. 387,386**

[45] Date of Patent: **\*\*Dec. 9, 1997**

[54] **COIN ACTUATED VENDING MACHINE WITH LINEAR GAME FEATURE**

[75] Inventors: **Robert H. Tegtmeier, Phoenix; Michael T. Gootee, Baltimore, both of Md.**

[73] Assignee: **Parkway Machine Corporation, Timonium, Md.**

[\*\*] Term: **14 Years**

[21] Appl. No.: **58,661**

[22] Filed: **Aug. 20, 1996**

[51] LOC (6) CL ..... **20-01**

[52] U.S. Cl. .... **D20/7**

[58] Field of Search ..... **D20/7; 221/155, 221/196, 284, 265; 273/108, 118, 441, 449**

[56] **References Cited**

**U.S. PATENT DOCUMENTS**

D. 206,611 1/1967 Christine et al. .... D20/4

D. 211,055 5/1968 Freet ..... D20/4  
D. 264,595 5/1982 Lyons ..... D20/7 X  
D. 277,633 2/1985 McClellan ..... D20/7 X  
D. 316,276 4/1991 Weiner ..... D20/7 X

*Primary Examiner*—Raphael Barkai  
*Assistant Examiner*—Mitchell I. Siegel  
*Attorney, Agent, or Firm*—Beveridge, DeGrandi, Weilacher & Young, LLP

[57] **CLAIM**

The ornamental design for a coin actuated vending machine with linear game feature, as shown and described.

**DESCRIPTION**

FIG. 1 is a perspective view of the claimed design; FIG. 2 is a top view of the claimed design; FIG. 3 is a side view of the claimed design; FIG. 4 is a front view of the claimed design; FIG. 5 is a back view of the claimed design; and, FIG. 6 is a bottom view of the claimed design.

**1 Claim, 2 Drawing Sheets**

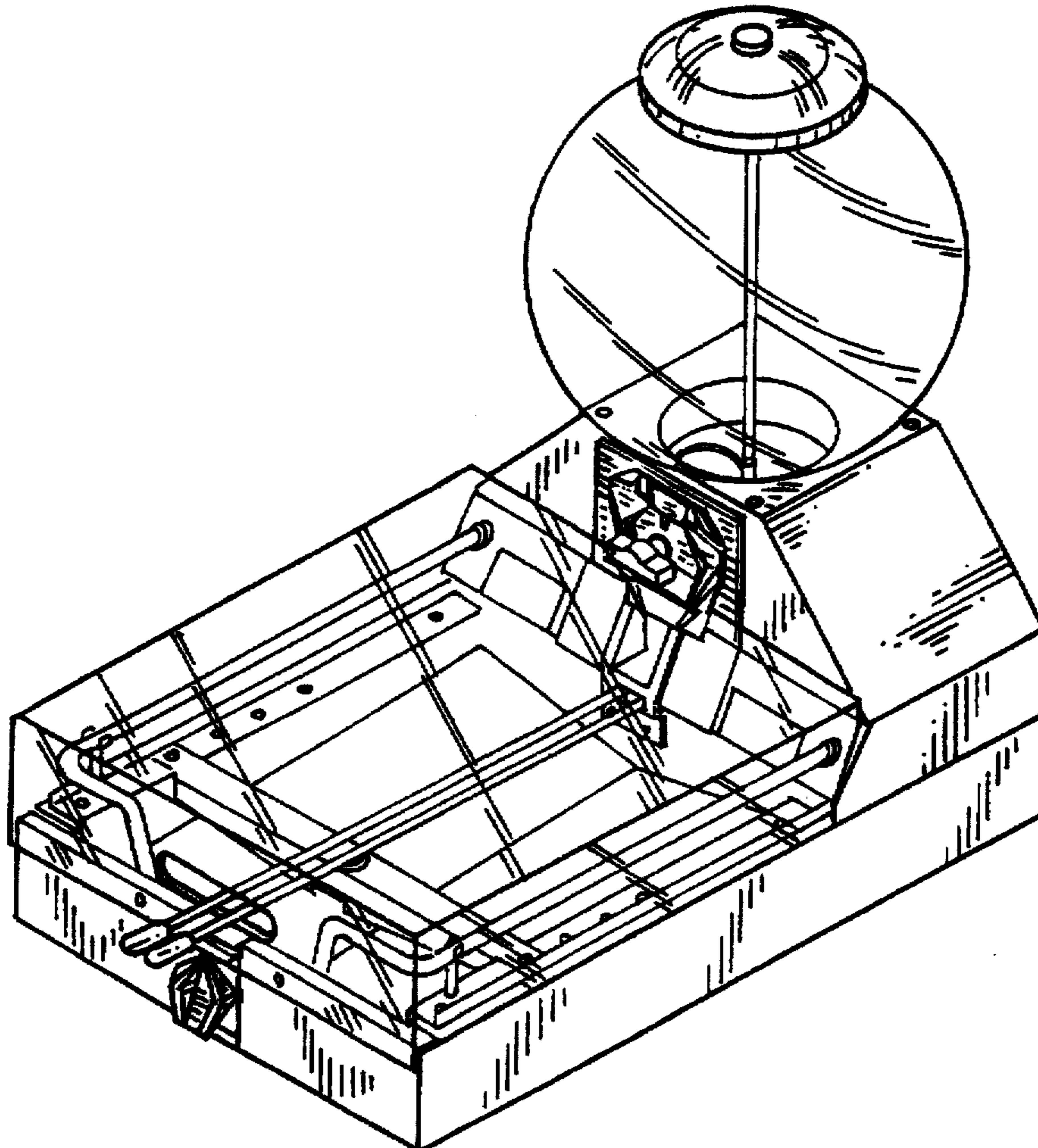


FIG. 1

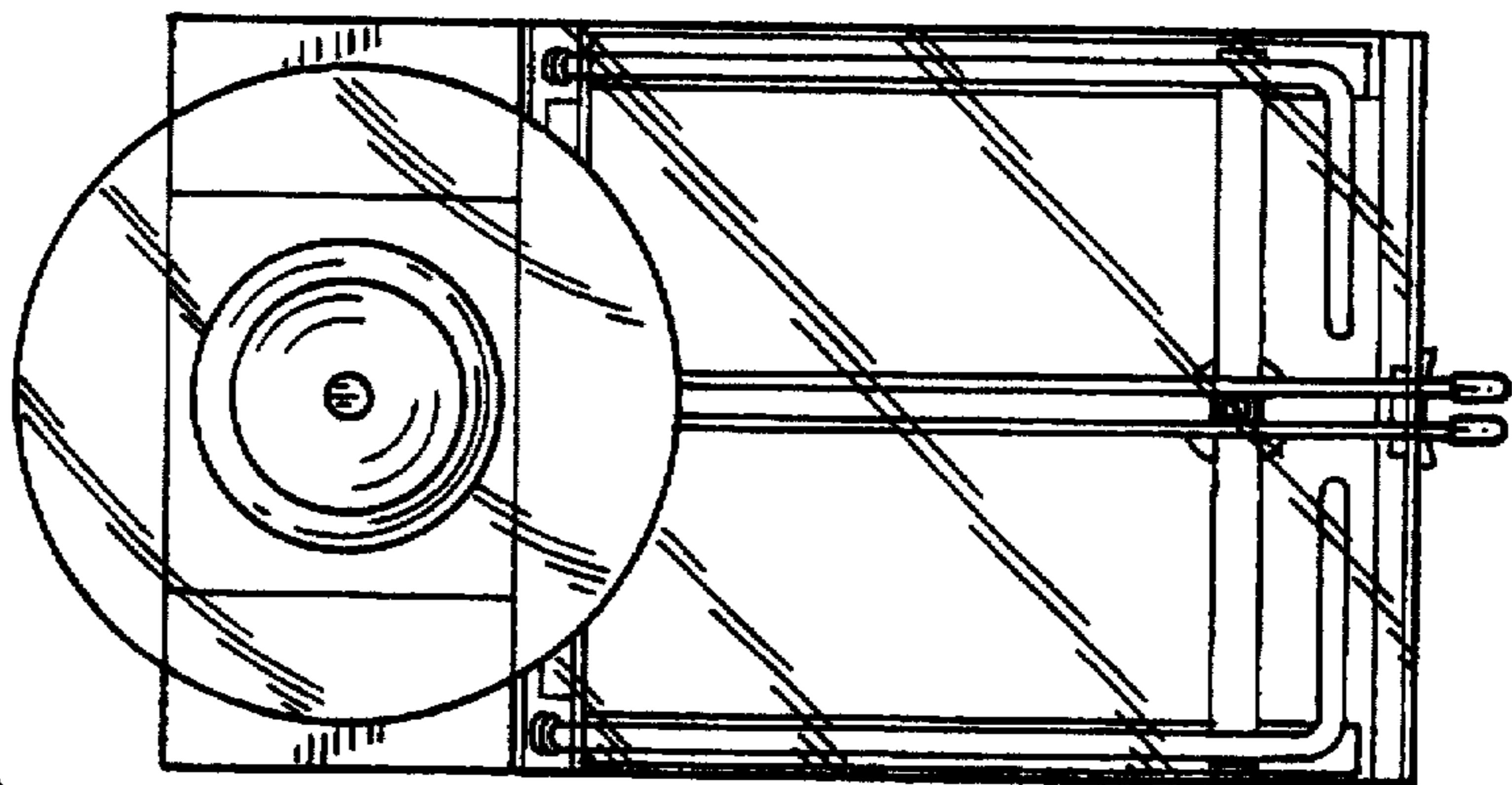
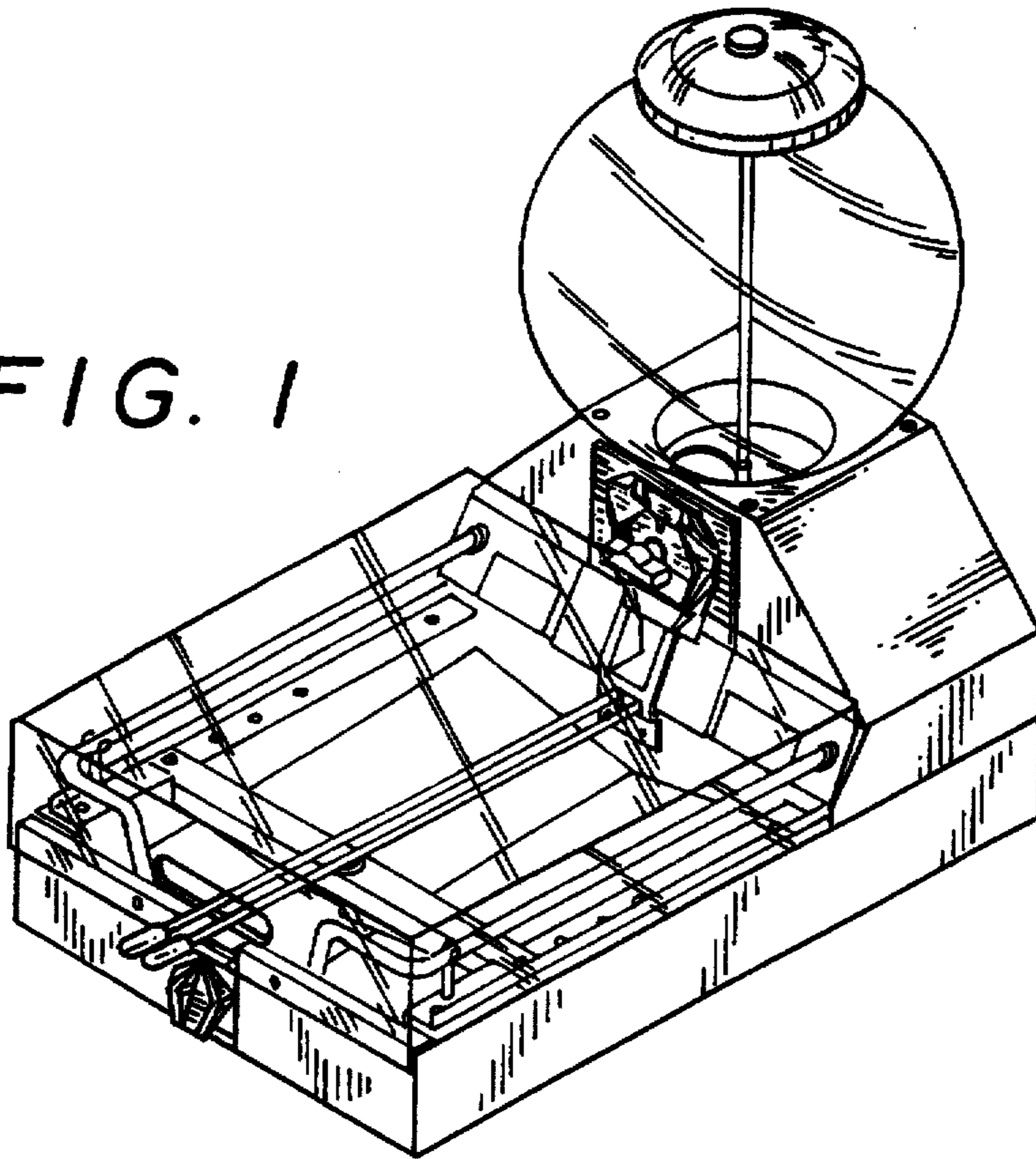


FIG. 2

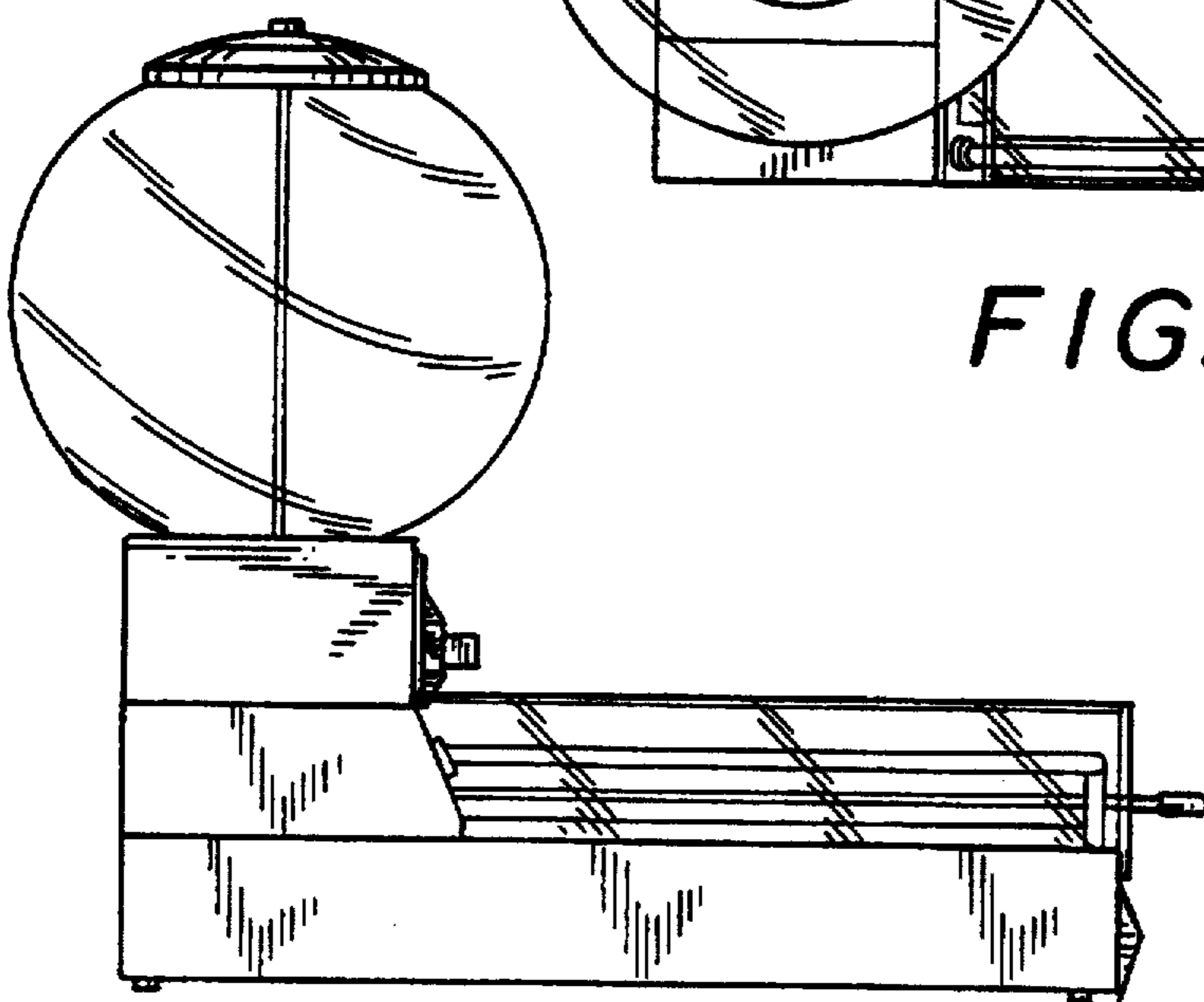


FIG. 3

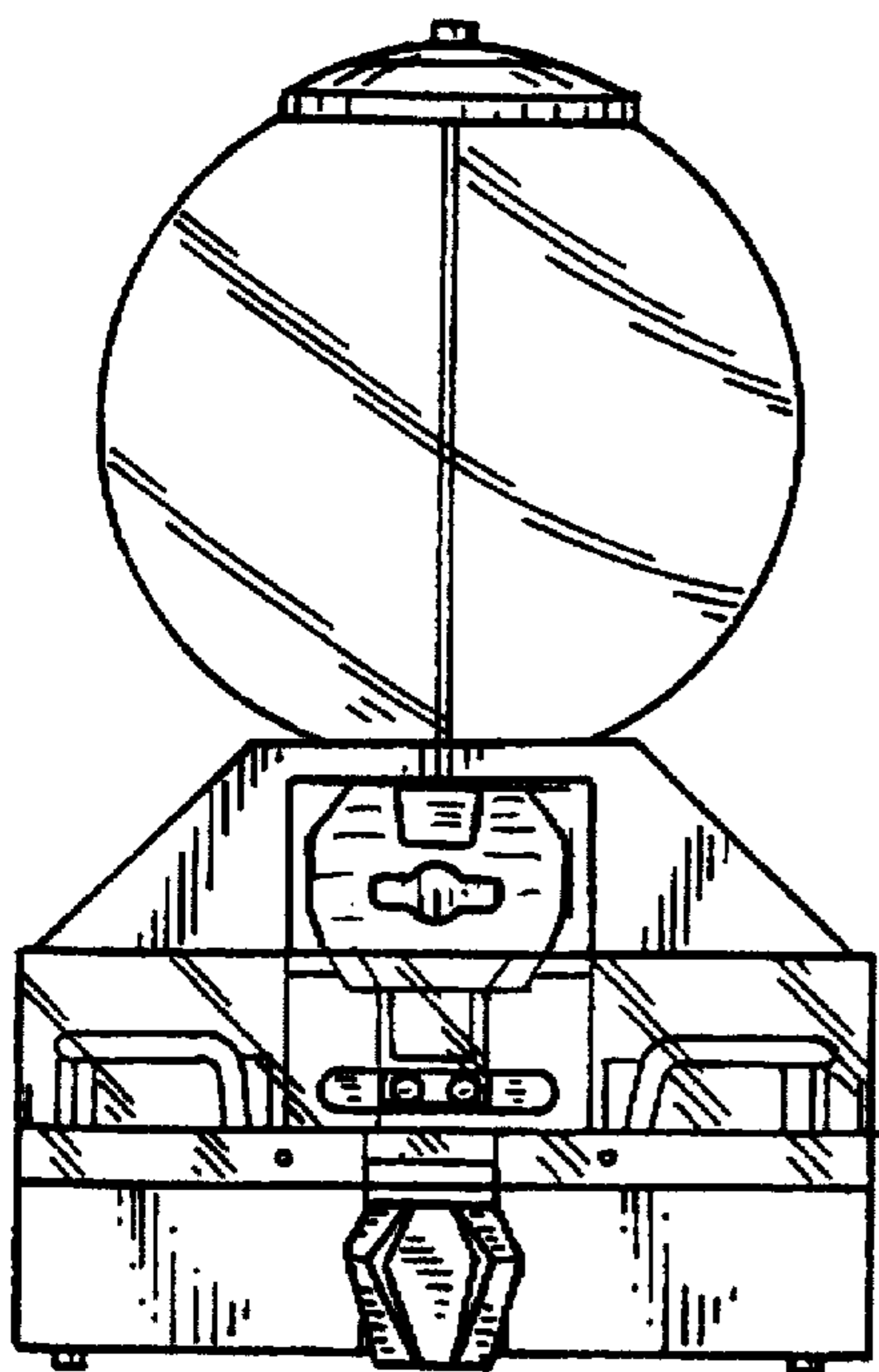


FIG. 4

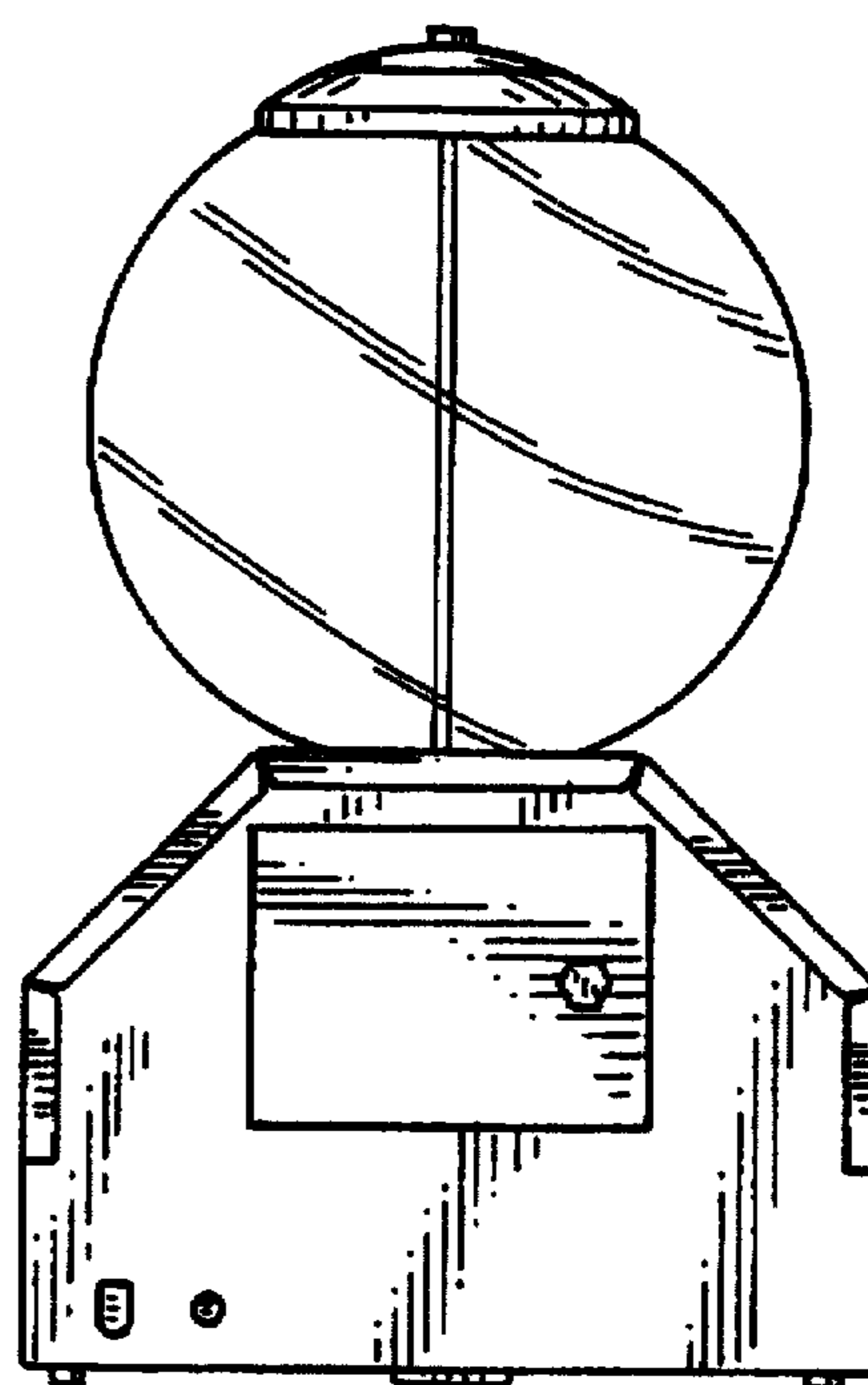


FIG. 5

FIG. 6

