

US00D387368S

United States Patent [19]
Matsuda

[11] **Patent Number:** **Des. 387,368**
[45] **Date of Patent:** ****Dec. 9, 1997**

[54] **CAMERA**

[75] **Inventor:** **Takashi Matsuda, Tokyo, Japan**

[73] **Assignee:** **Asahi Kogaku Kogyo Kabushiki Kaisha, Tokyo, Japan**

[**] **Term:** **14 Years**

[21] **Appl. No.:** **58,636**

[22] **Filed:** **Aug. 13, 1996**

[30] **Foreign Application Priority Data**

Feb. 16, 1996 [JP] Japan 8-3941
Jul. 22, 1996 [JP] Japan 8-22020

[51] **LOC (6) Cl.** **16-01**

[52] **U.S. Cl.** **D16/209; D16/212**

[58] **Field of Search** **D16/200-205, D16/208, 209, 211, 212, 213, 216-218; 396/535-543, 155, 176-178**

[56] **References Cited**

U.S. PATENT DOCUMENTS

D. 263,056 2/1982 Hattori D16/212
D. 323,336 1/1992 Moro et al. D16/209
D. 359,501 6/1995 Hamamura D16/209
D. 365,355 12/1995 Horikiri D16/209

FOREIGN PATENT DOCUMENTS

941762 4/1956 Germany .

OTHER PUBLICATIONS

Poular Photography, Oct.1988 p. 67 (Pentax SF-10).

Primary Examiner—Ted Shooman
Assistant Examiner—Adir Aronovich

Attorney, Agent, or Firm—Sughrue, Mion, Zinn, Macpeak & Seas

[57] **CLAIM**

The ornamental design for a camera, as shown and described.

DESCRIPTION

FIG. 1 is a perspective view of the top, front and right side of a camera showing my new design;

FIG. 2 is a front elevational view thereof;

FIG. 3 is a top plan view thereof;

FIG. 4 is a left side elevational view thereof;

FIG. 5 is a right side elevational view thereof;

FIG. 6 is a rear elevational view thereof;

FIG. 7 is a bottom plan view thereof;

FIG. 8 is a perspective view similar to FIG. 1, with the lens cover open and the lens partially extended;

FIG. 9 is a view similar to FIG. 8 with the lens fully extended;

FIG. 10 is a perspective view of the top, front and right side of a second embodiment, with the lens cover open and the lens partially extended; and,

FIG. 11 is a view similar to FIG. 10 with the lens fully extended.

All other views not disclosed in the second embodiment are identical to those disclosed in the first embodiment.

1 Claim, 5 Drawing Sheets

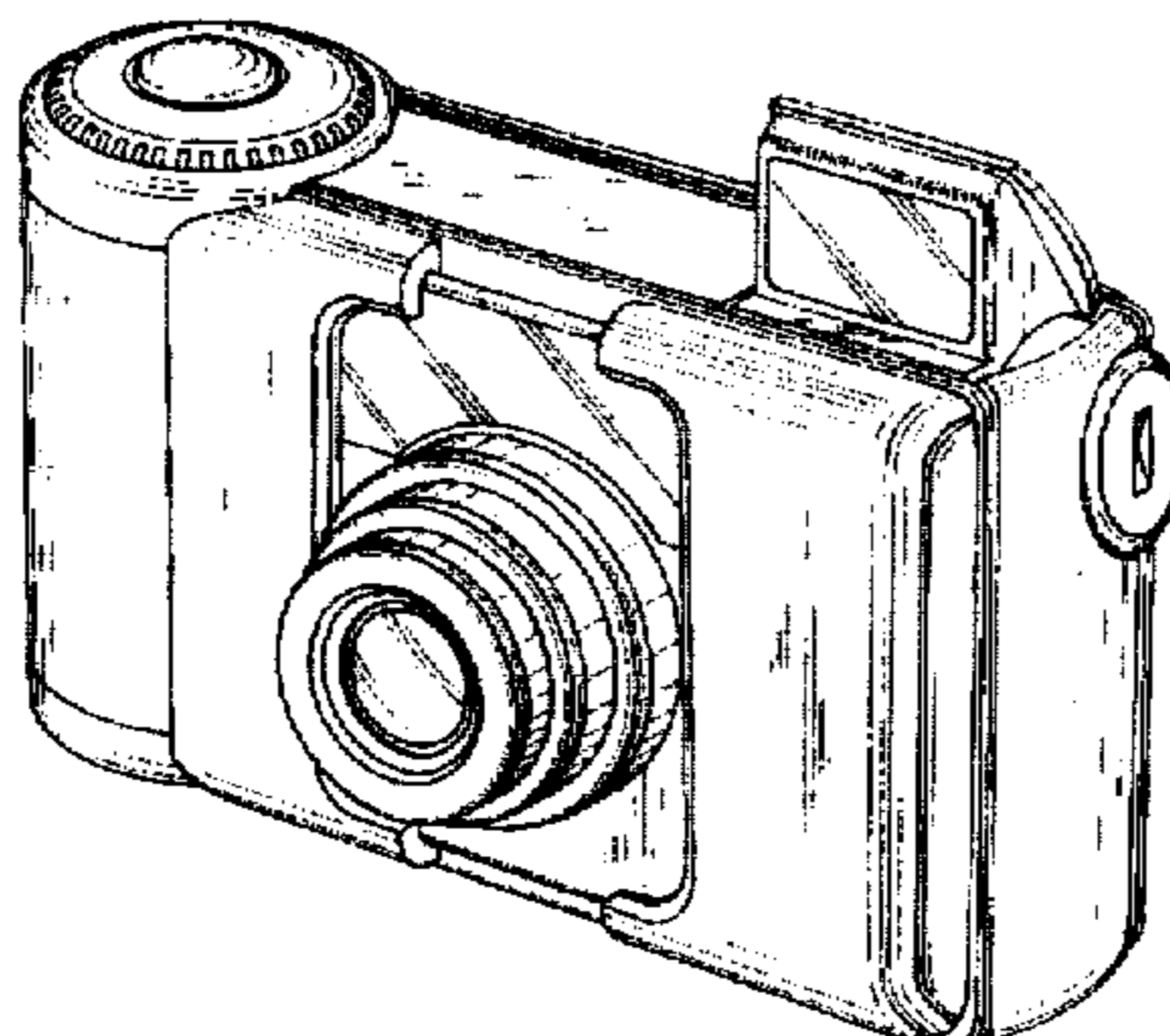
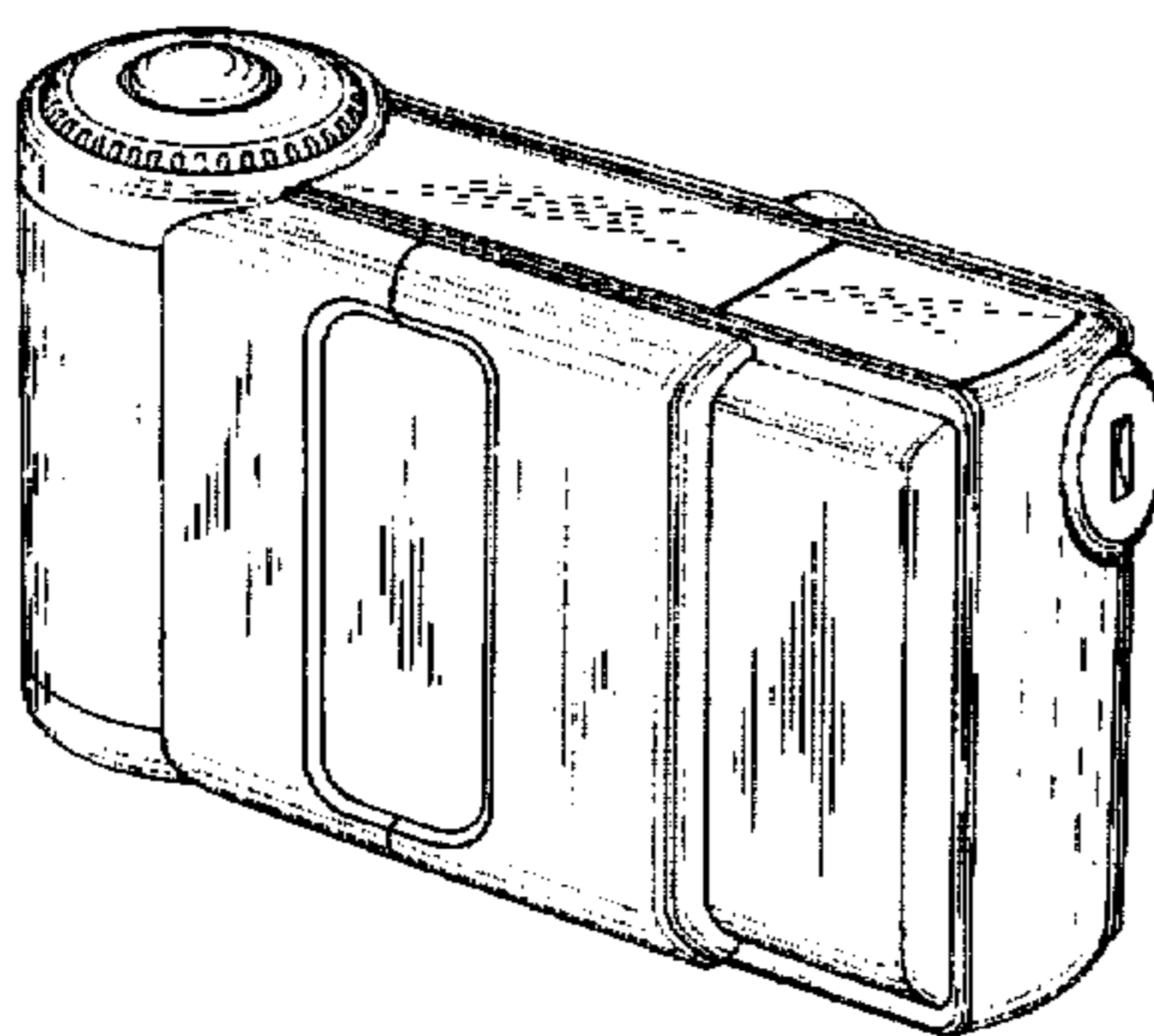


FIG. 1

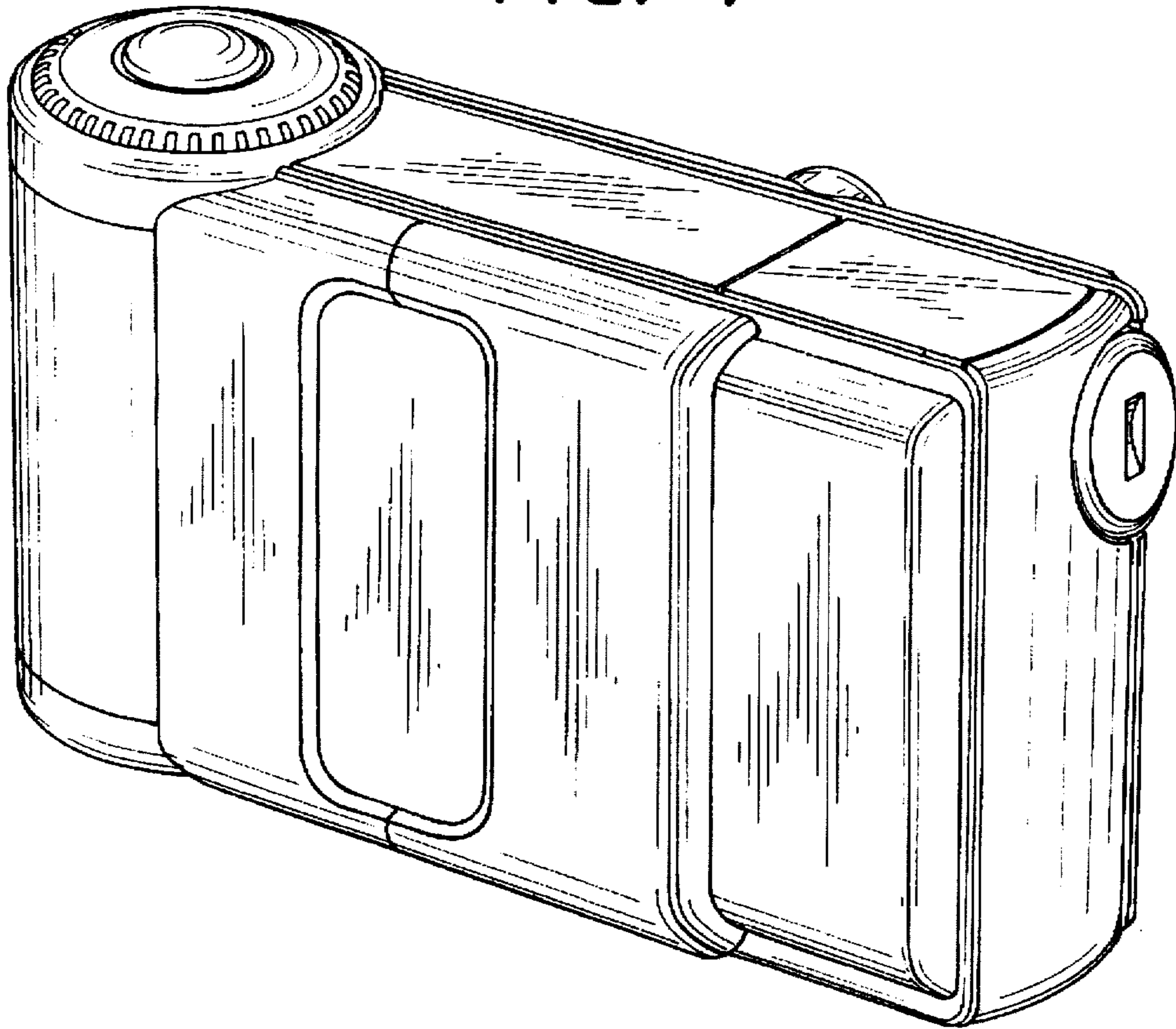


FIG. 2

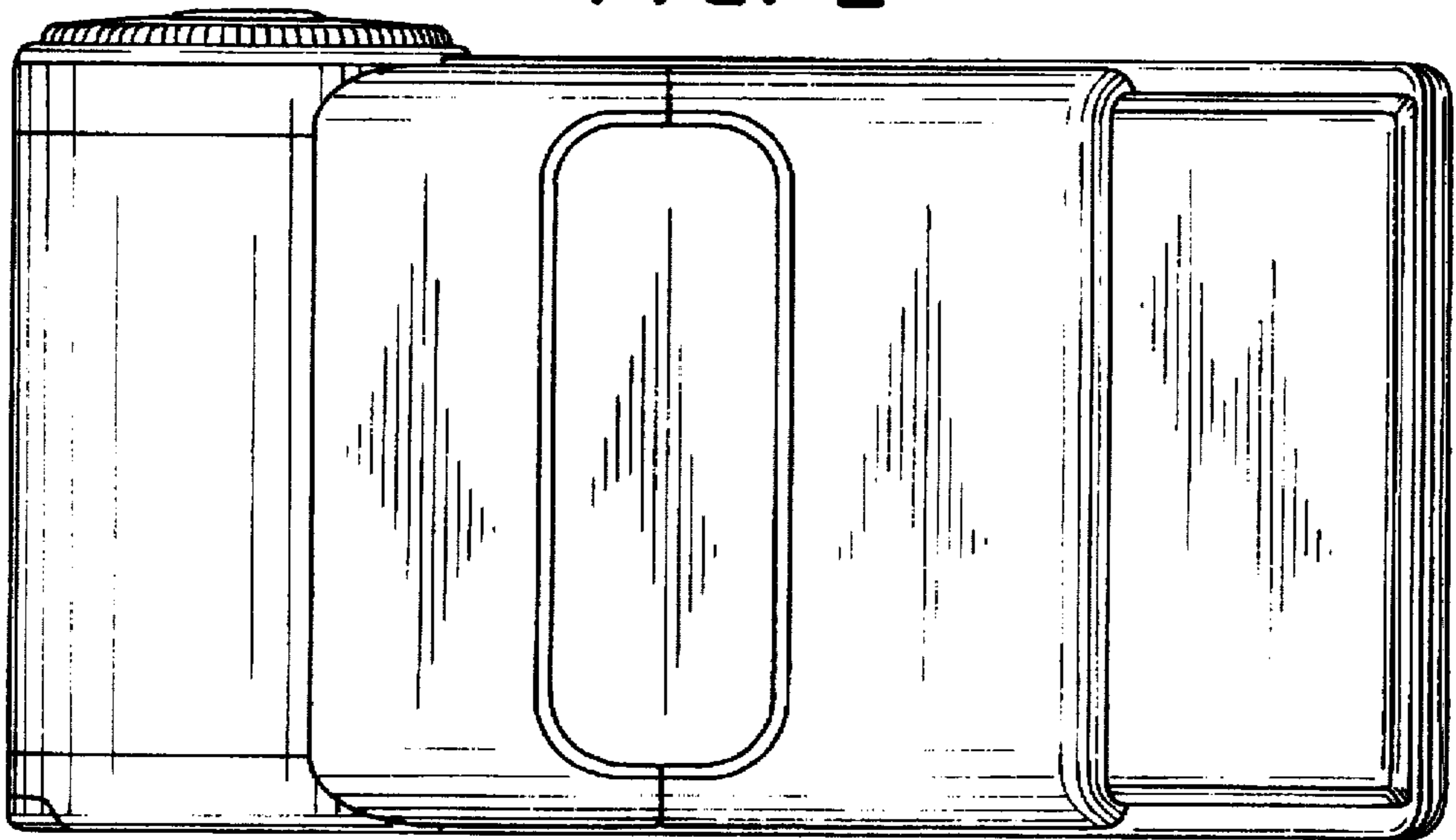


FIG. 3

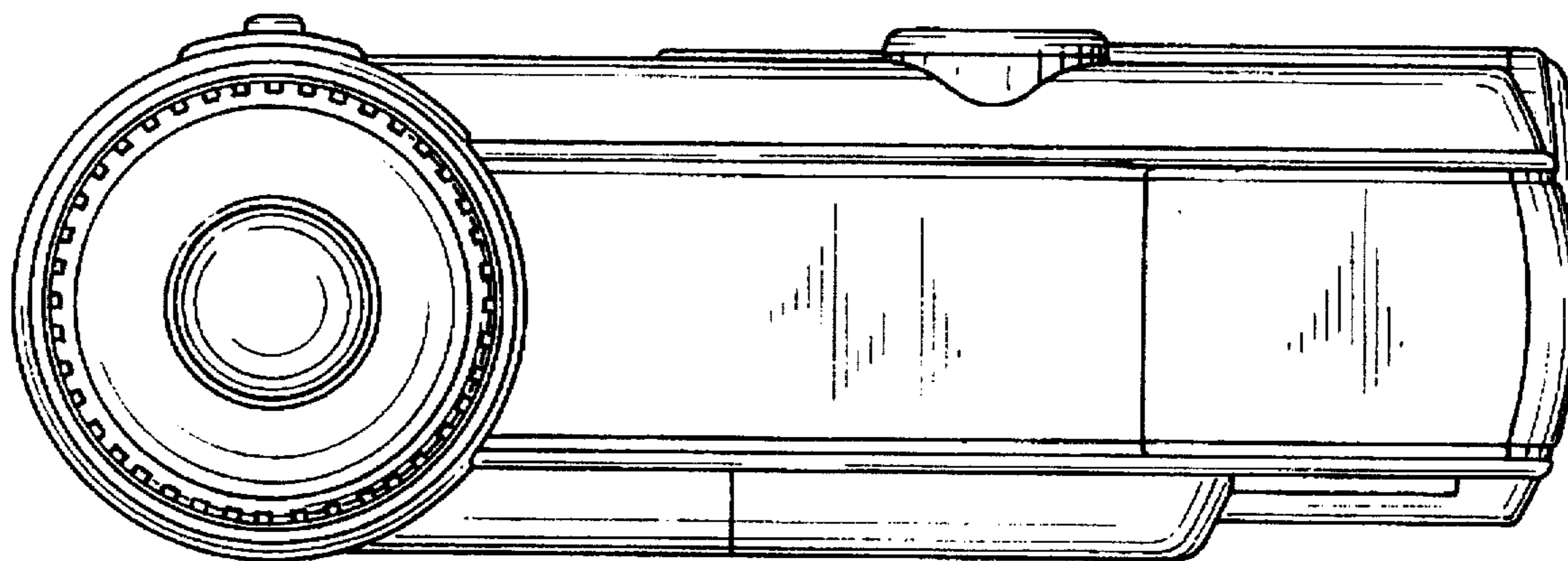


FIG. 4

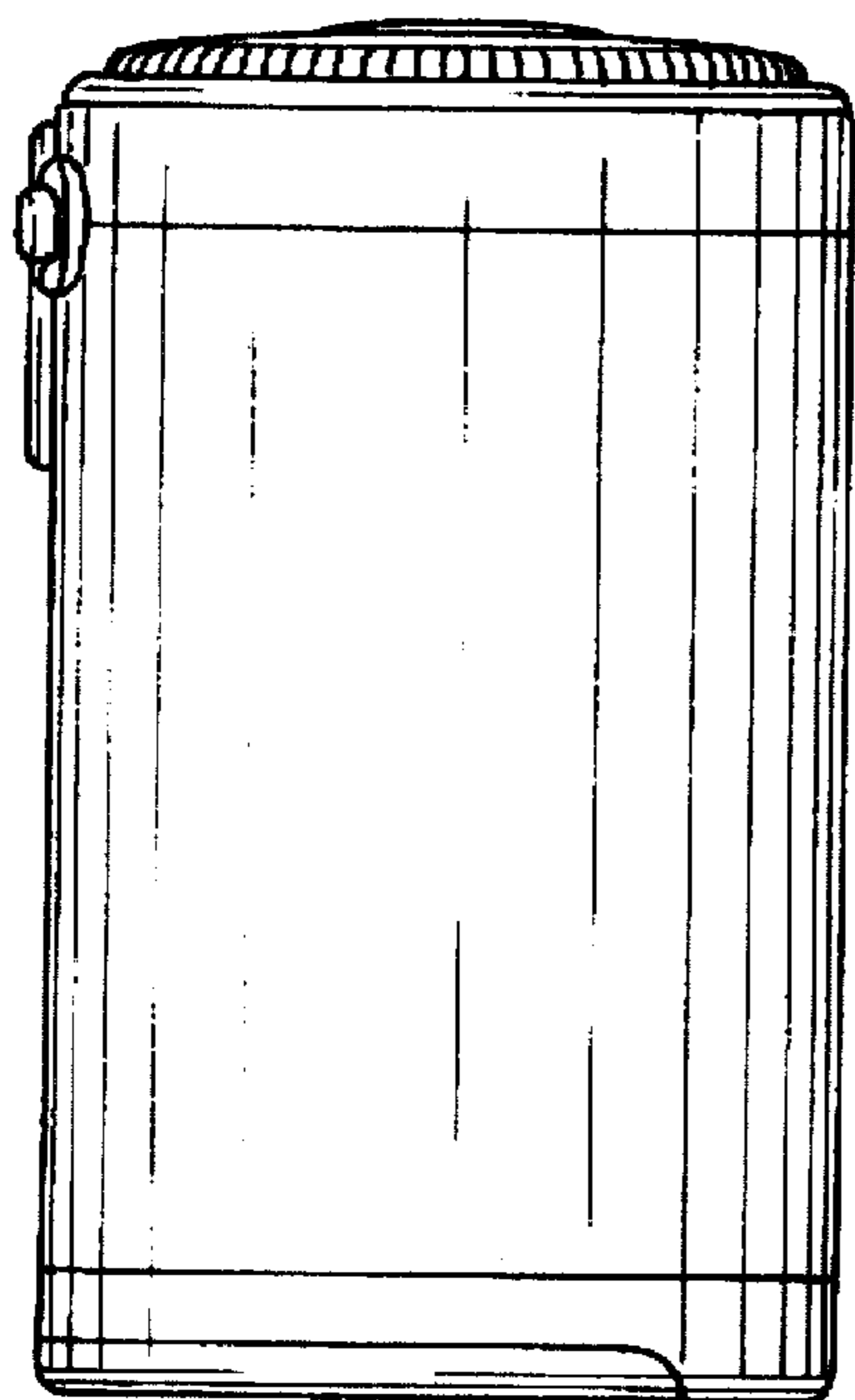


FIG. 5

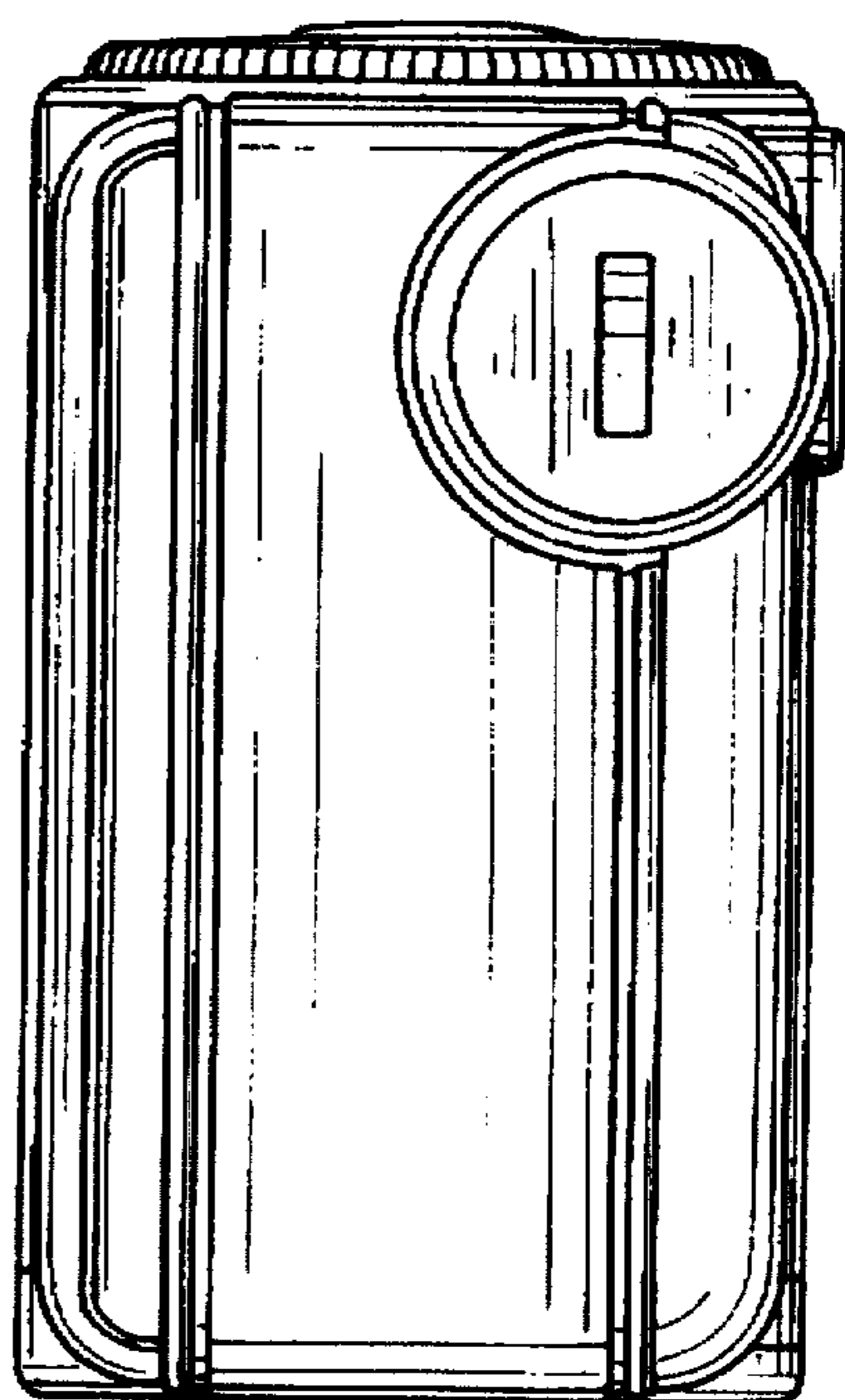


FIG. 6

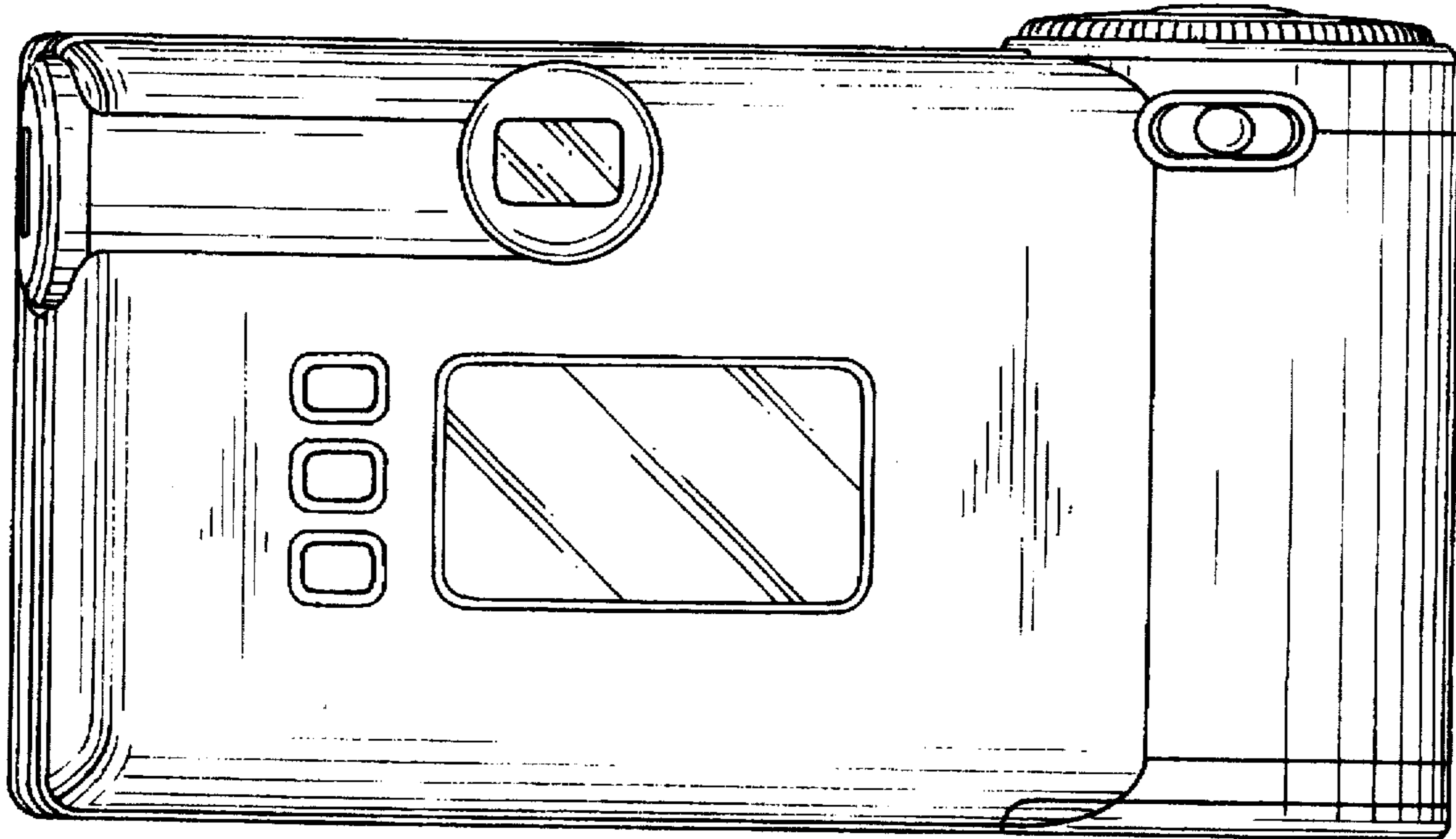


FIG. 7

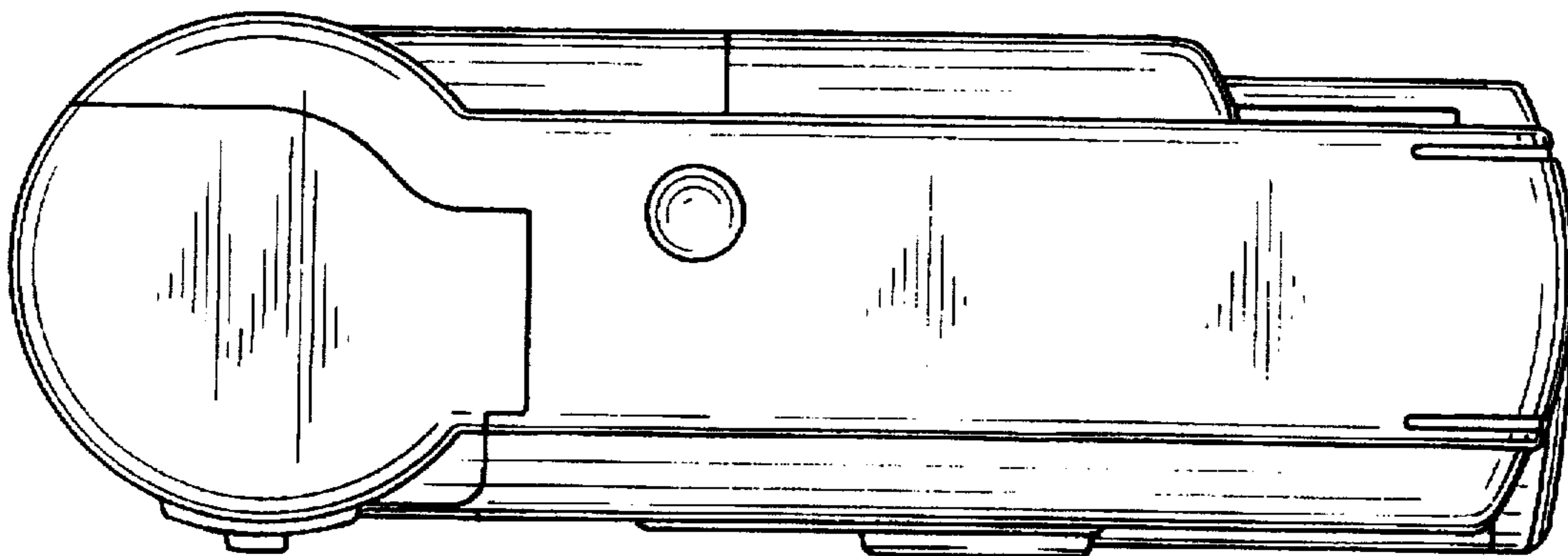


FIG. 8

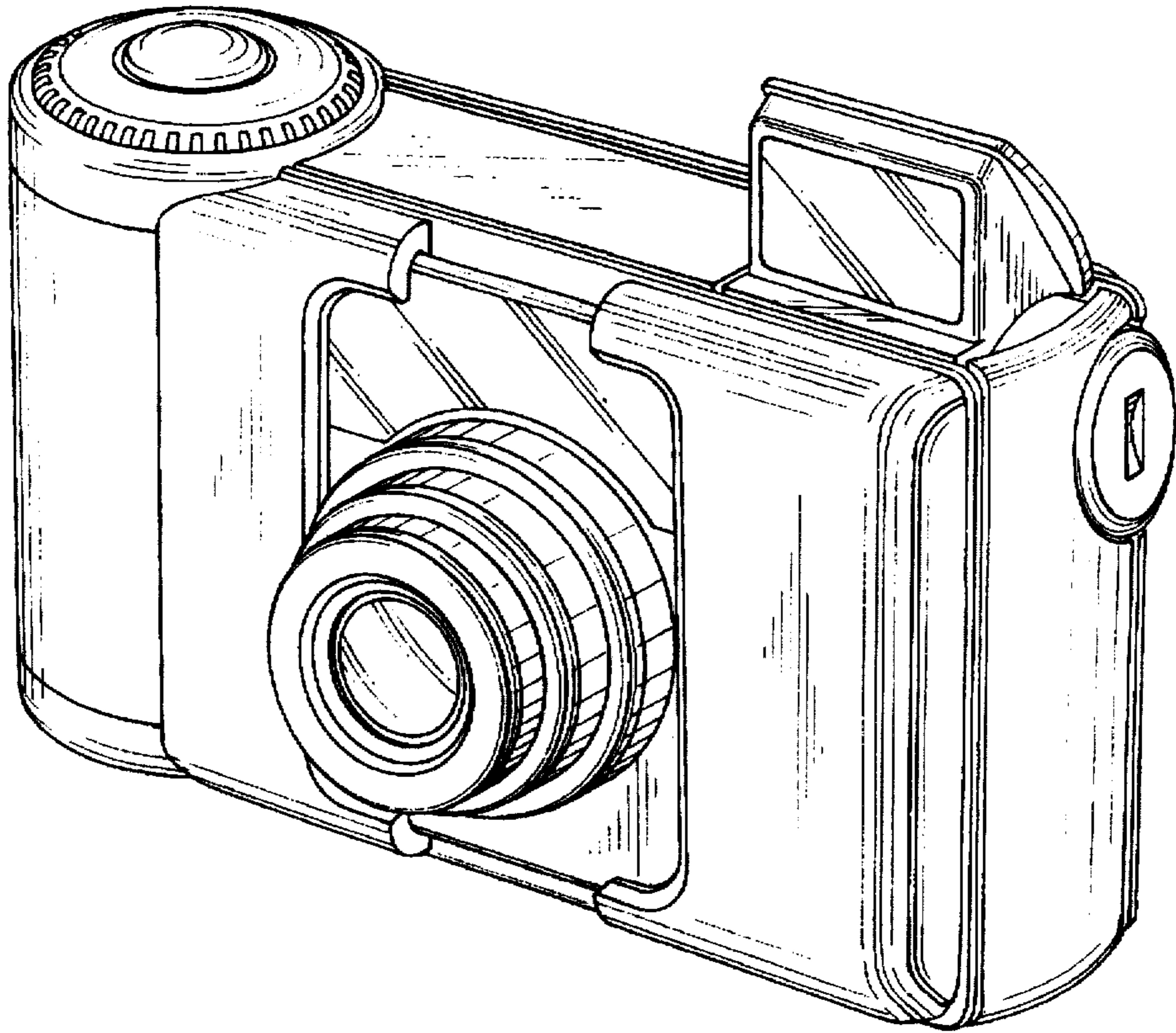


FIG. 9

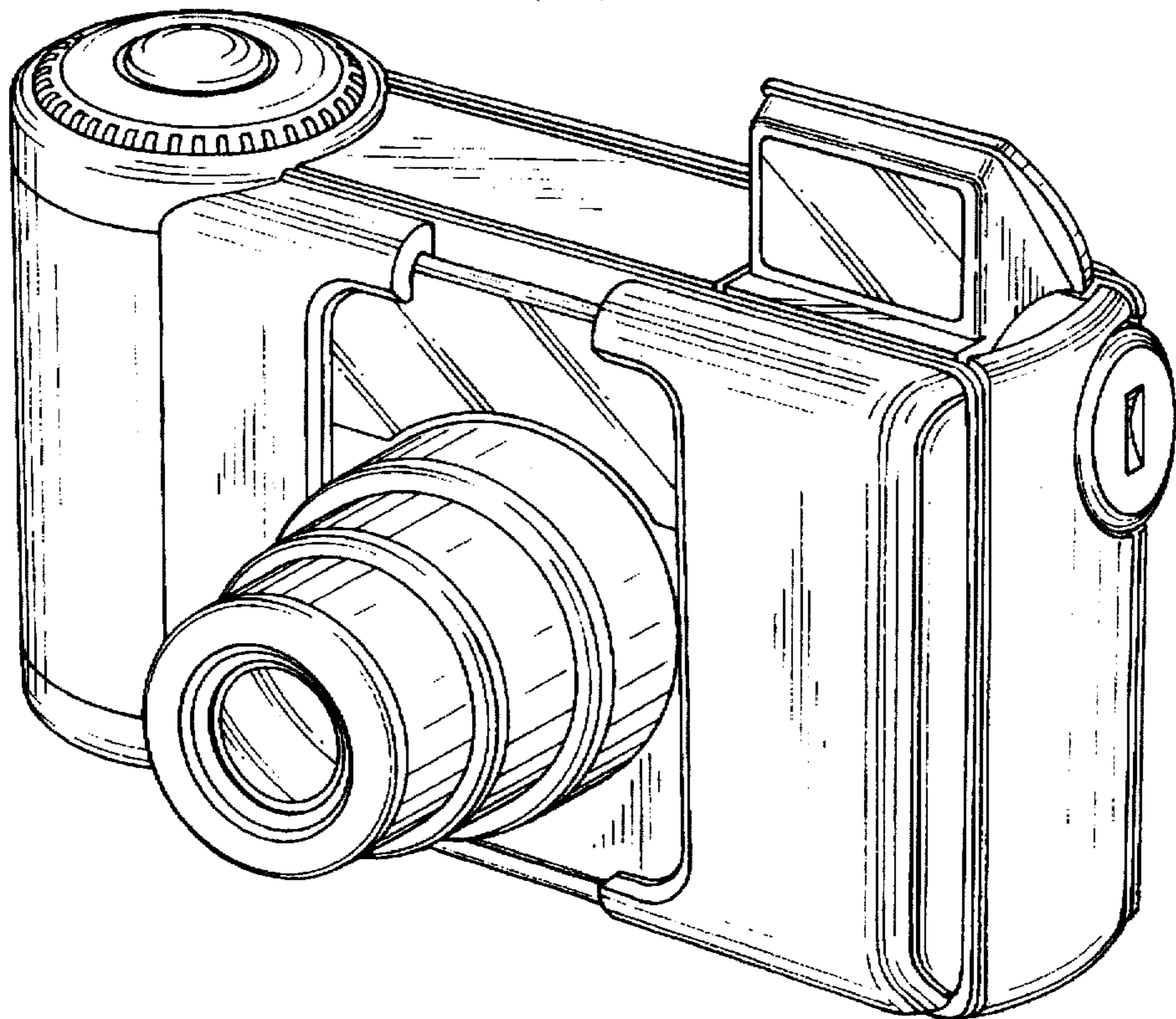


FIG. 10

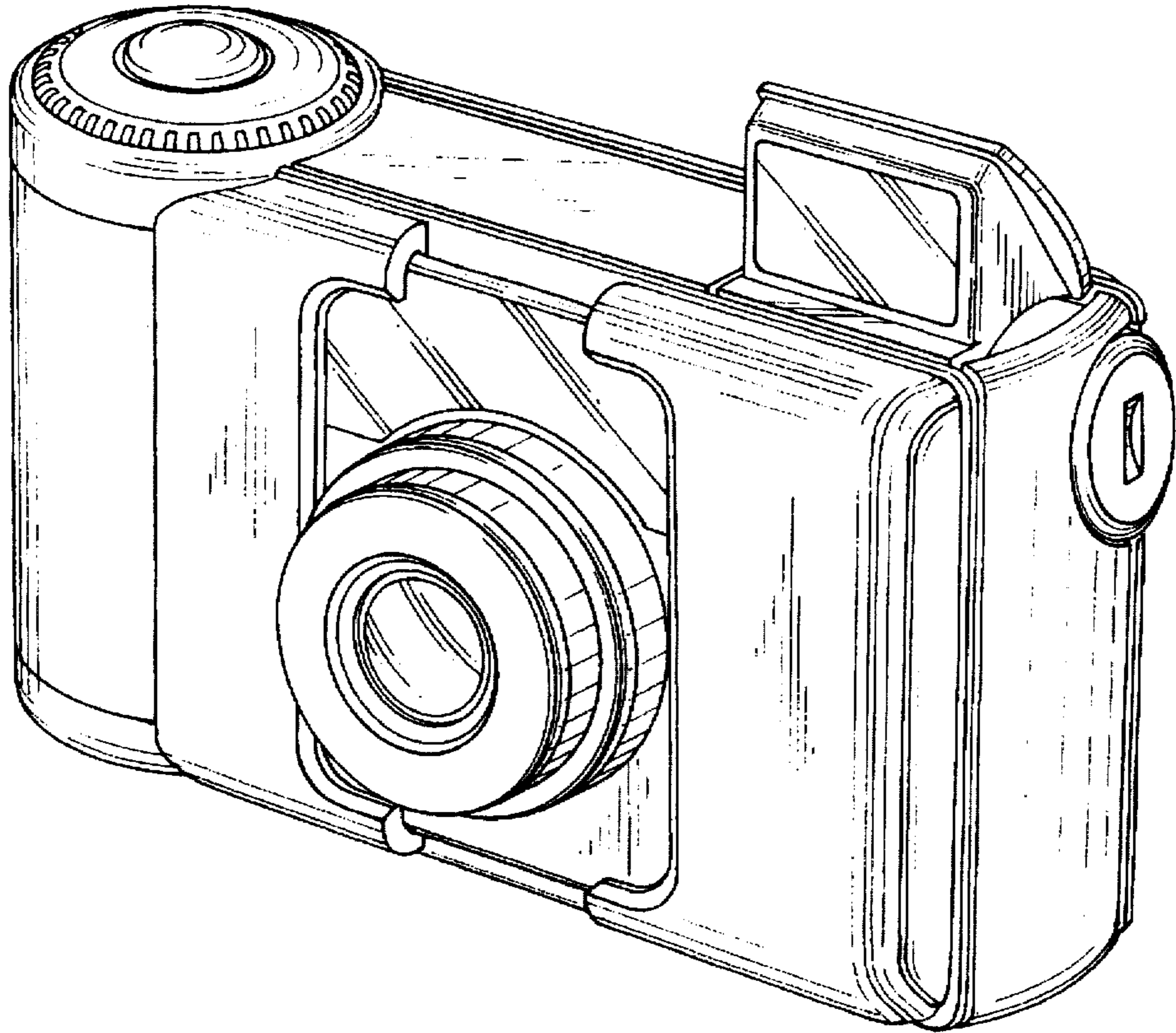


FIG. 11

