



US00D387366S

# United States Patent [19]

Akabane et al.

[11] Patent Number: **Des. 387,366**

[45] Date of Patent: **\*\*Dec. 9, 1997**

[54] **MICROSCOPE**

[75] Inventors: **Jun Akabane, Yokohama; Akira Nojima, Fussa, both of Japan**

[73] Assignee: **Nikon Corporation, Tokyo, Japan**

[\*\*] Term: **14 Years**

[21] Appl. No.: **59,421**

[22] Filed: **Sep. 11, 1996**

[51] **LOC (6) Cl. .... 16-06**

[52] **U.S. Cl. .... D16/131**

[58] **Field of Search .... D16/130, 131; 359/368, 376, 385, 393, 390, 383**

[56] **References Cited**

### U.S. PATENT DOCUMENTS

D. 296,904	7/1988	Lukaszewski .....	D16/131
D. 354,761	1/1995	Komatsuzaki et al. ....	D16/131
D. 367,869	3/1996	Hofmann-Igi et al. ....	D16/130 X
3,934,960	1/1976	Ouchi et al. ....	359/390
4,240,708	12/1980	Bell .....	359/383

4,285,568	8/1981	Elgart .....	359/390
4,299,440	11/1981	Hodgson .....	D16/131
4,573,771	3/1986	Hill .....	359/383
4,619,503	10/1986	Reinheimer et al. ....	359/385 X
4,621,531	11/1986	Nakamura et al. ....	359/368 X
4,863,252	9/1989	McCarthy et al. ....	D16/131 X
5,175,644	12/1992	Doaka .....	359/368 X
5,337,177	8/1994	Toyoda et al. ....	359/368 X

*Primary Examiner—Paula A. Mortimer  
Attorney, Agent, or Firm—Oliff & Berridge*

[57] **CLAIM**

The ornamental design for a microscope, as shown.

### DESCRIPTION

FIG. 1 is a front elevational view of a microscope showing our new design;

FIG. 2 is a rear elevational view thereof;

FIG. 3 is a left side elevational view thereof;

FIG. 4 is a right side elevational view thereof;

FIG. 5 is a top plan elevational view thereof;

FIG. 6 is a bottom plan elevational view thereof; and,

FIG. 7 is a front perspective view thereof.

**1 Claim, 3 Drawing Sheets**

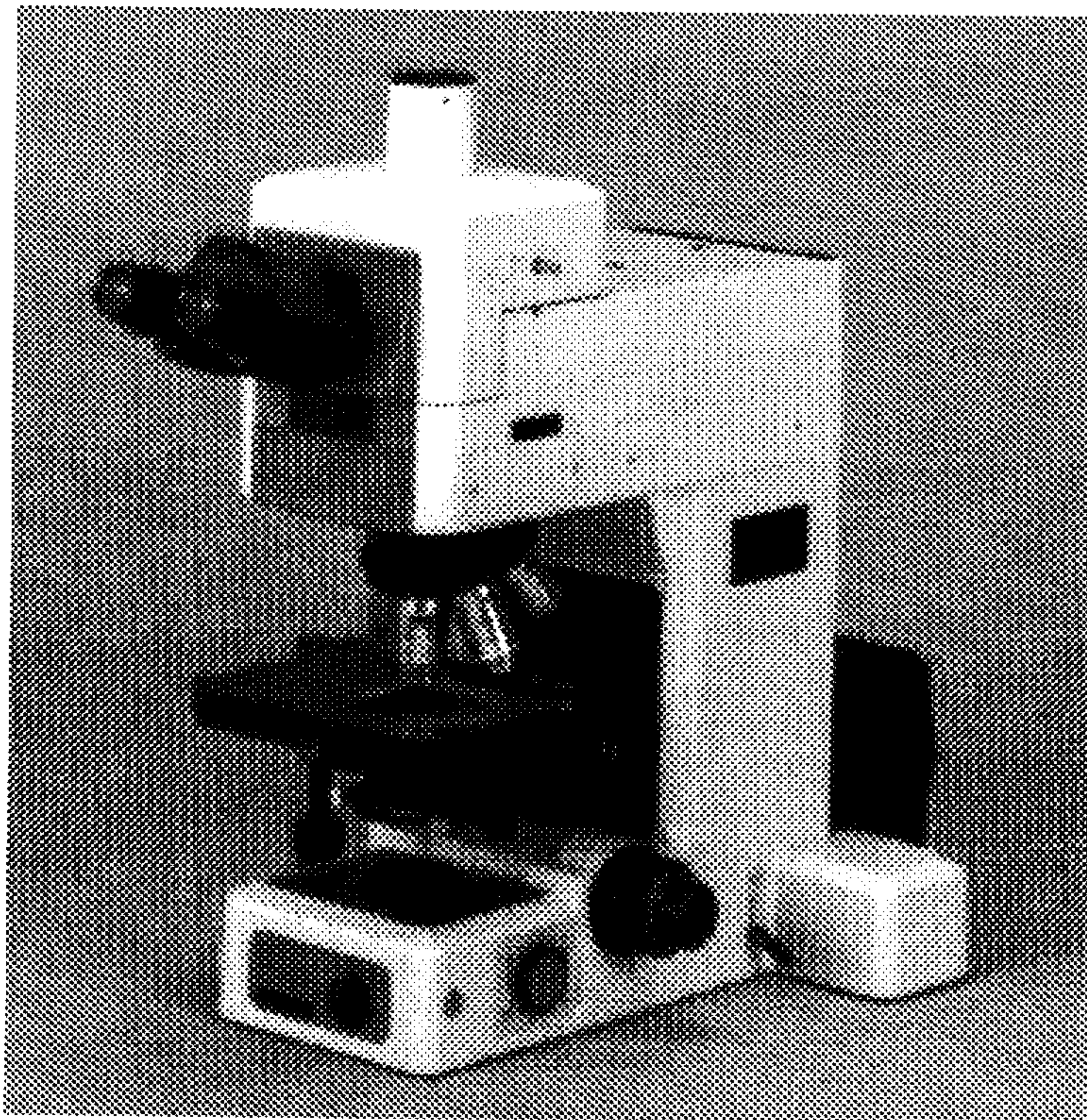


FIG.1

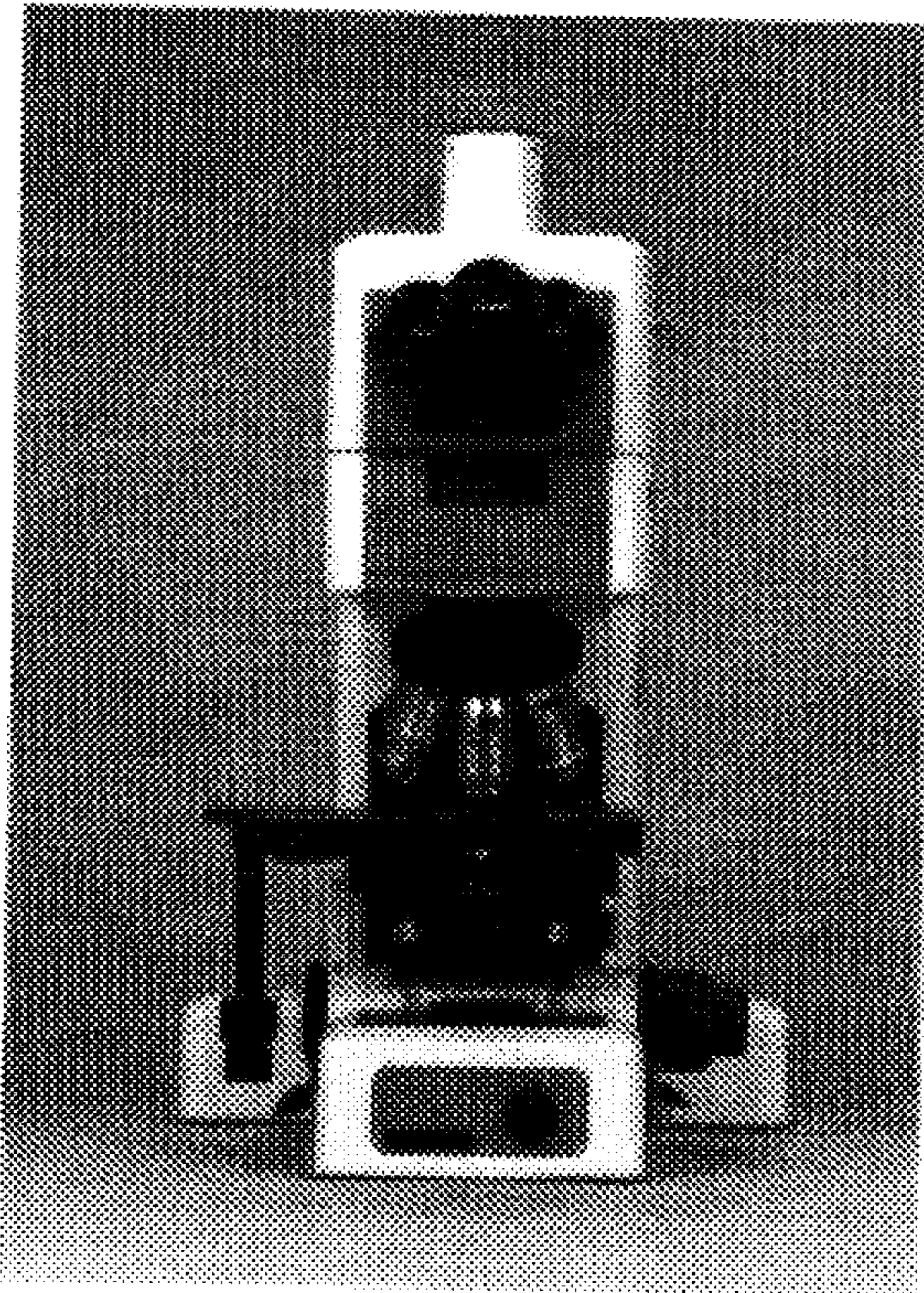


FIG.2

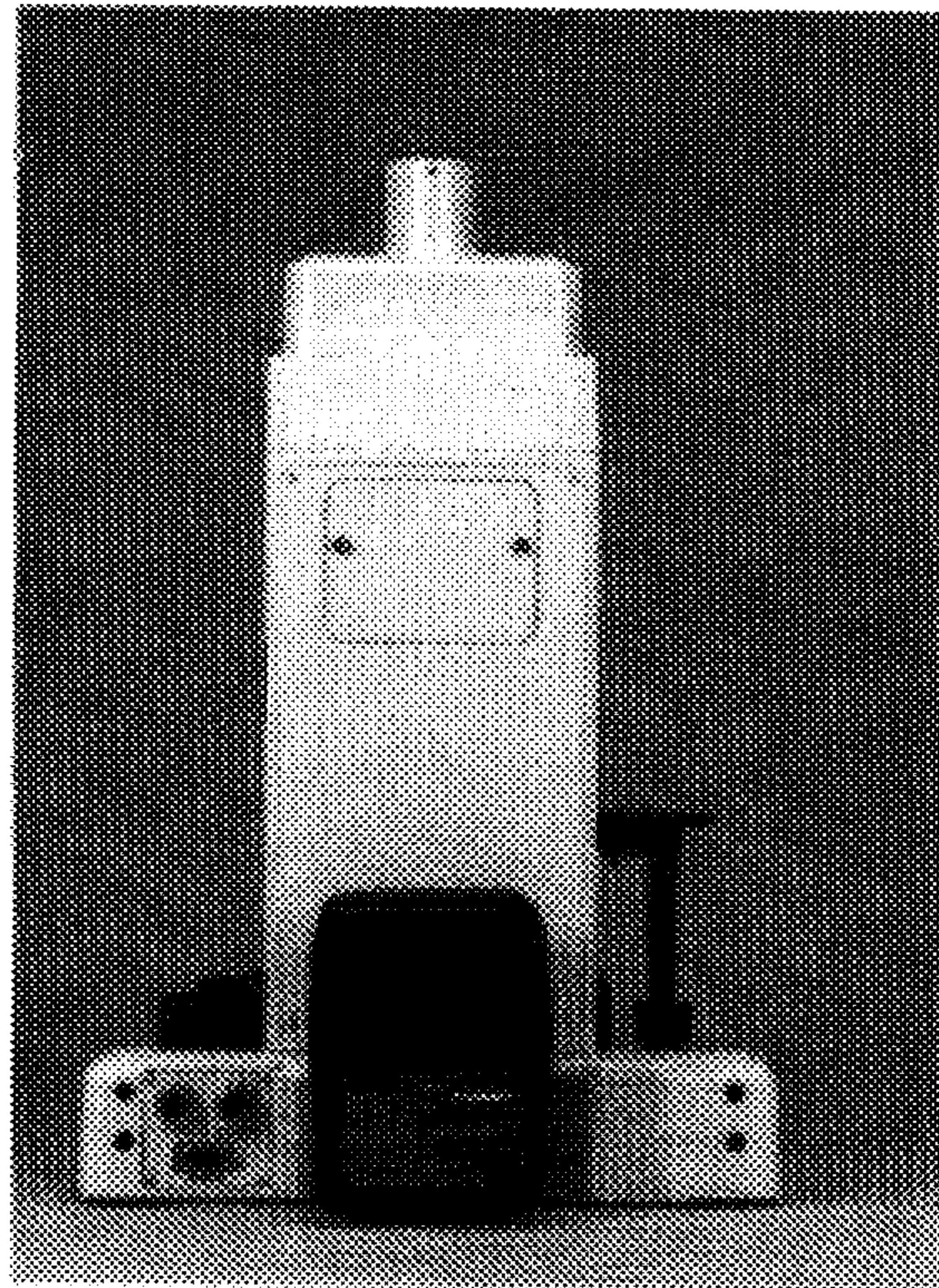


FIG. 3

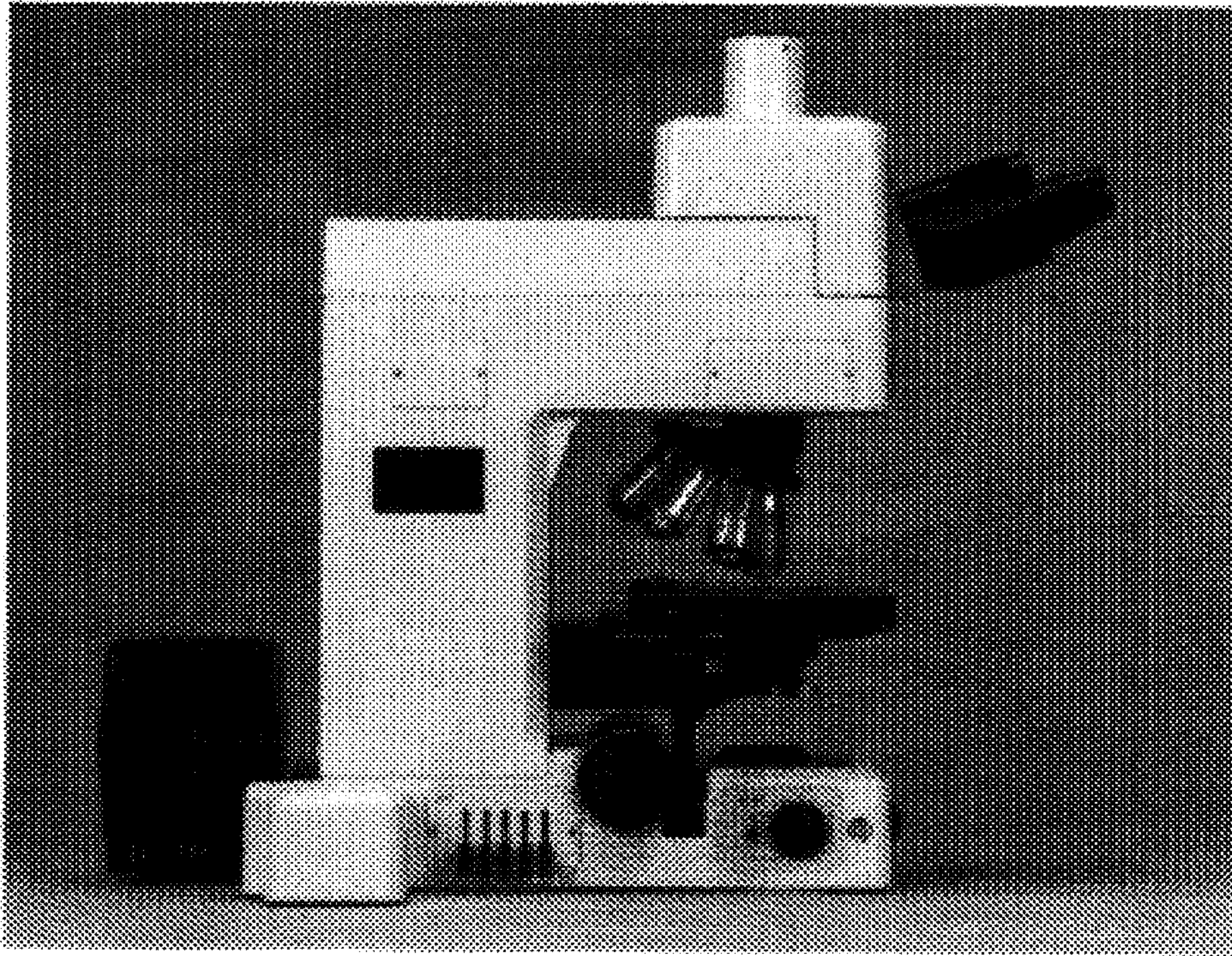


FIG. 4

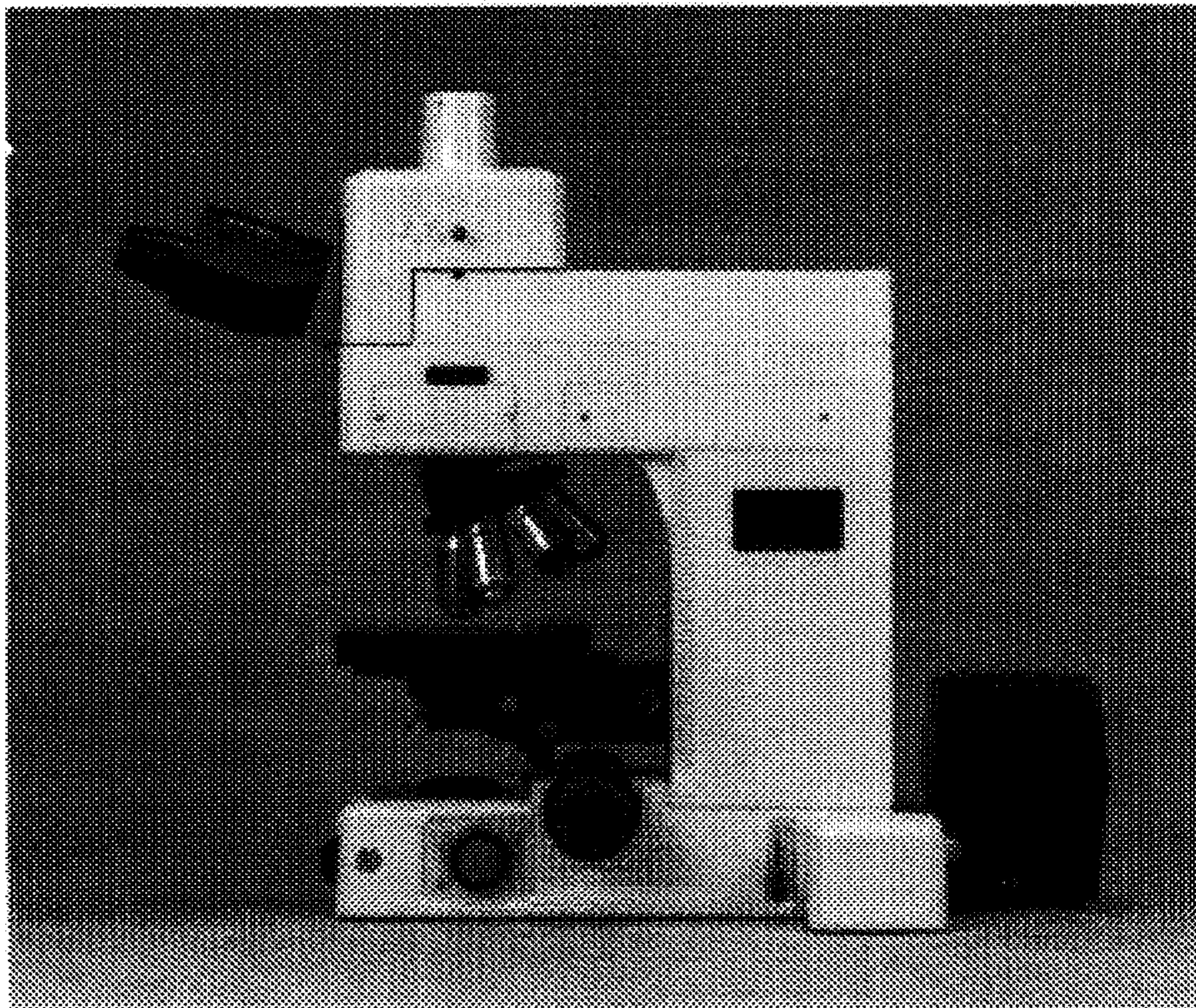


FIG. 5

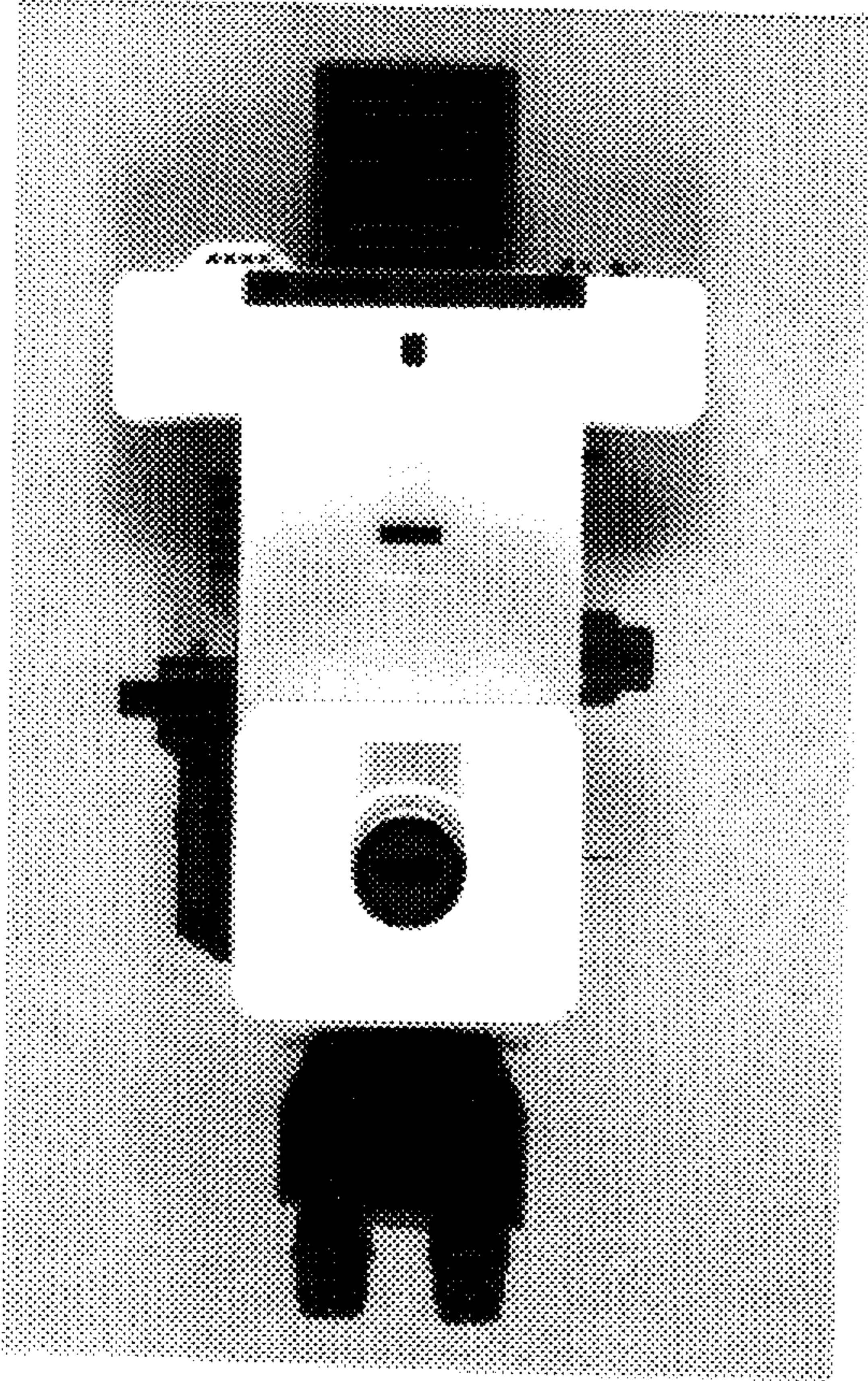


FIG. 6

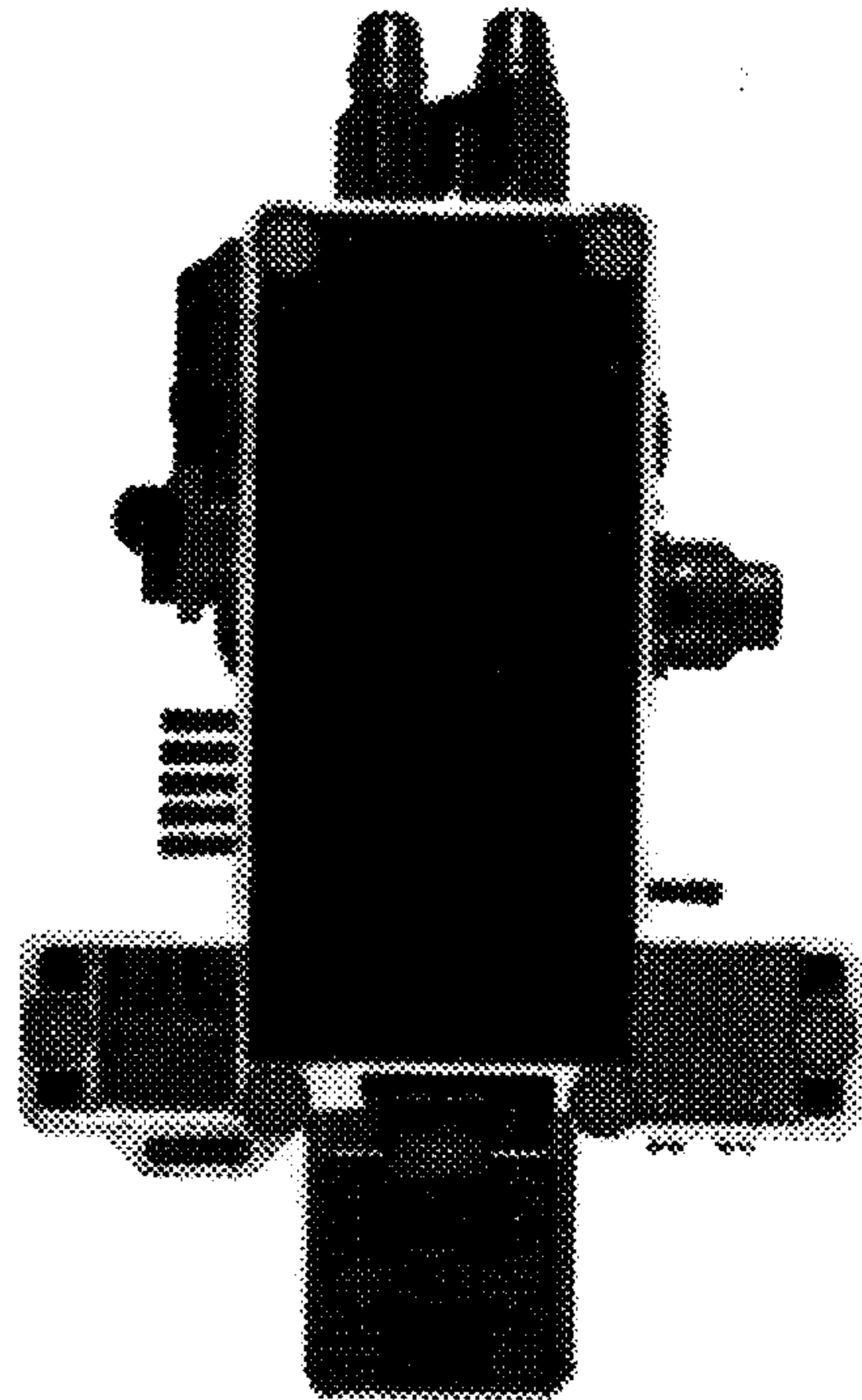


FIG. 7

