



US00D387363S

**United States Patent** [19]  
**Welsh**

[11] **Patent Number:** **Des. 387,363**  
[45] **Date of Patent:** **\*\*Dec. 9, 1997**

[54] **UPPER RIB PATTERN FOR A PLANER**  
[75] **Inventor:** **Robert P. Welsh, Hunt Valley, Md.**  
[73] **Assignee:** **Black & Decker Inc., Newark, Del.**  
[\*\*] **Term:** **14 Years**  
[21] **Appl. No.:** **65,050**  
[22] **Filed:** **Jan. 17, 1997**

**Related U.S. Application Data**

[63] **Continuation of Ser. No. 62,168, Nov. 8, 1996.**  
[51] **LOC (6) Cl.** ..... **15-09**  
[52] **U.S. Cl.** ..... **D15/127**  
[58] **Field of Search** ..... **D15/124-127;**  
**144/117, 114.1, 117 R, 144 R, 124-127 A,**  
**154.5, 129, 130, 218, 225, 228, 230, 242.5,**  
**245, 1, 246.1, 250.2, 253.2, 252.1, 375;**  
**408/115 R, 241.5; 409/175, 181; 606/79,**  
**88, 172**

[56] **References Cited**  
**U.S. PATENT DOCUMENTS**  
D. 323,834 2/1992 Fushiya et al. .... D15/133  
D. 326,667 6/1992 Juang ..... D15/127  
*Primary Examiner*—Antoine Duval Davis  
*Attorney, Agent, or Firm*—Adan Ayala; Bruce S. Shapiro

[57] **CLAIM**  
The ornamental design for an upper rib pattern for a planer, as shown and described.

**DESCRIPTION**  
FIG. 1 is a left side perspective view from the front of a upper rib pattern for a planer showing my new design; FIG. 2 is a top plan view of my design; and, FIG. 3 is a front elevational view of my design. In the attached drawings, any broken line illustration is not part of the design sought to be patented.

**1 Claim, 3 Drawing Sheets**

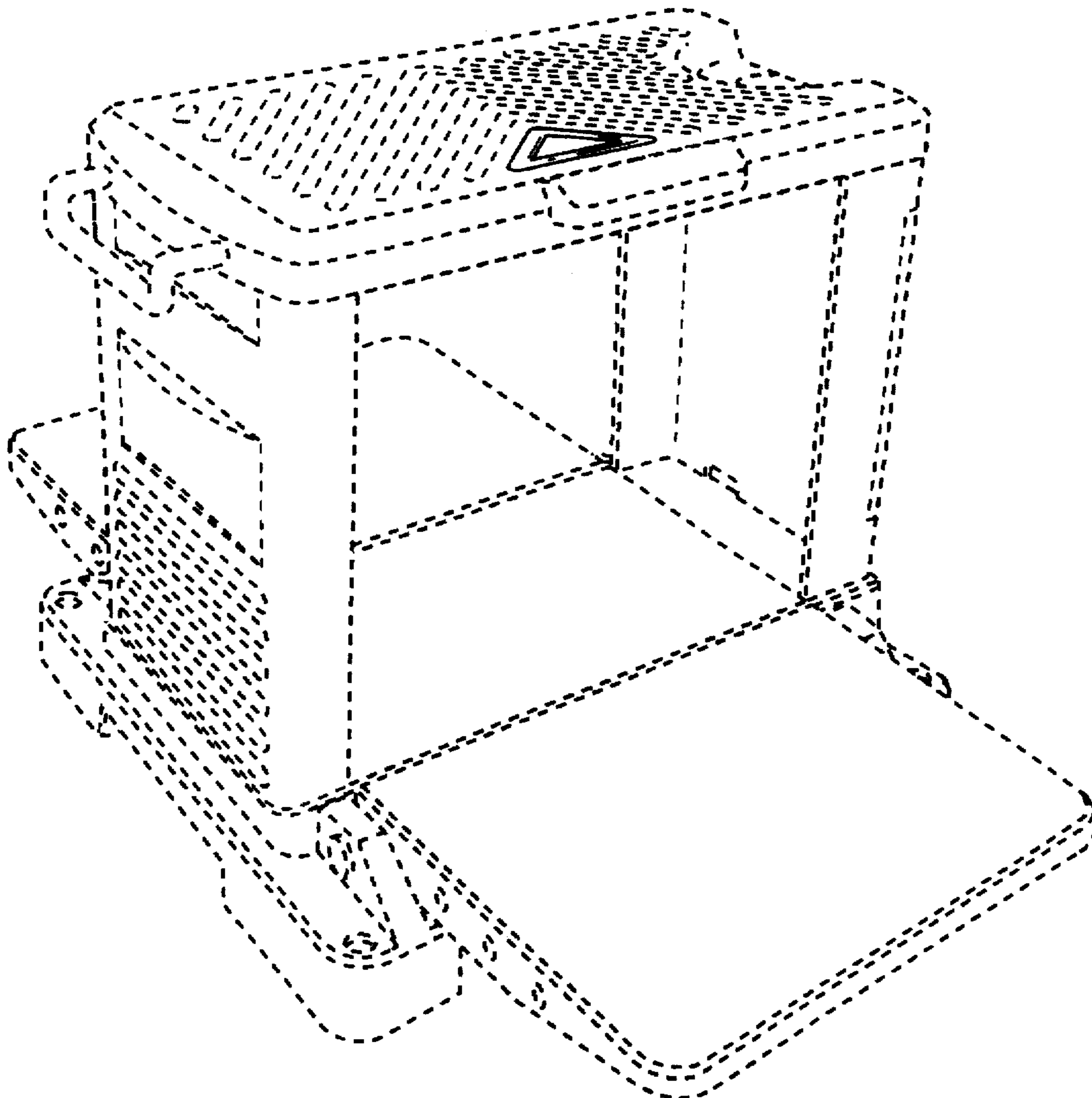


FIG. 1

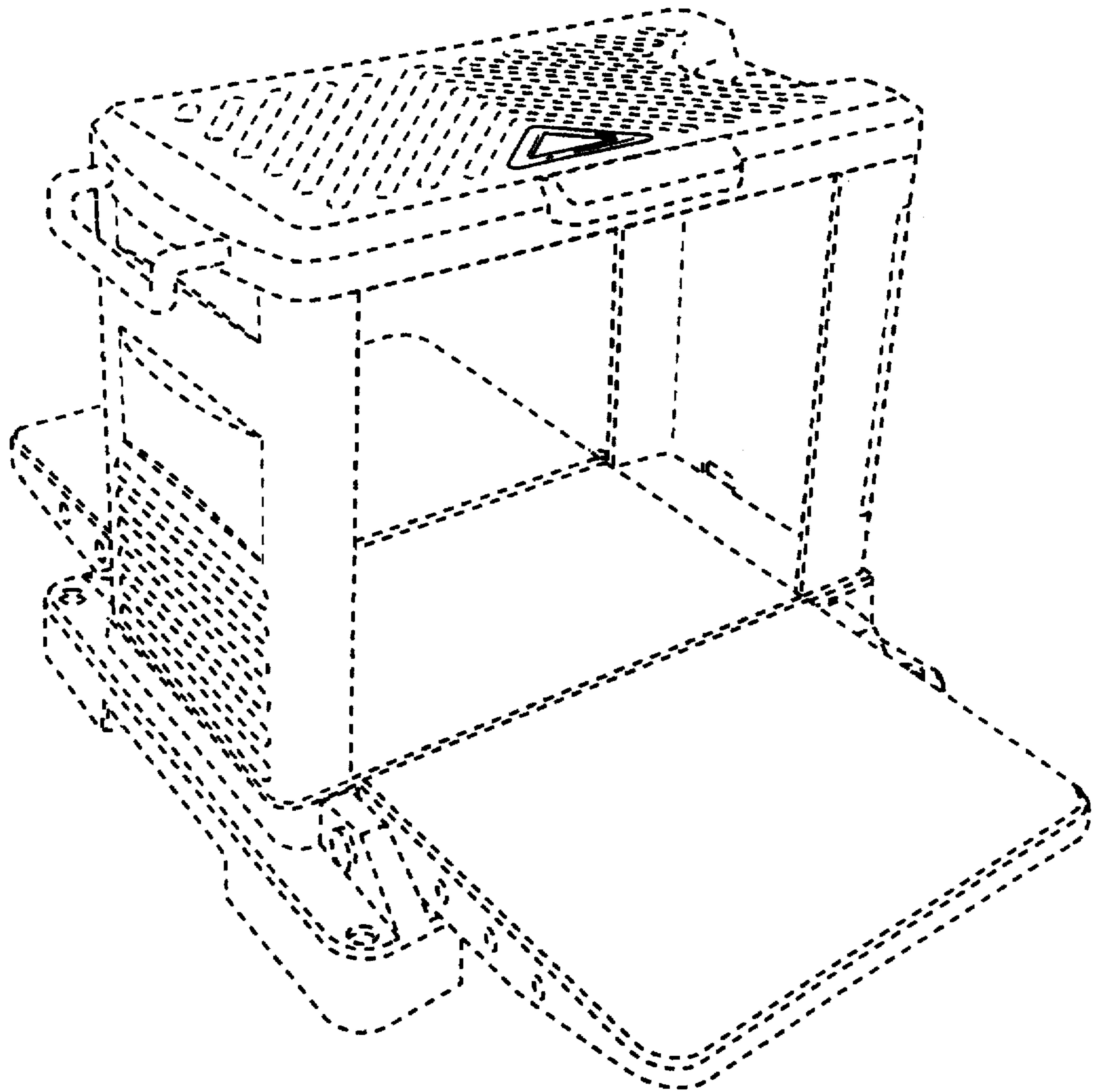


FIG. 2

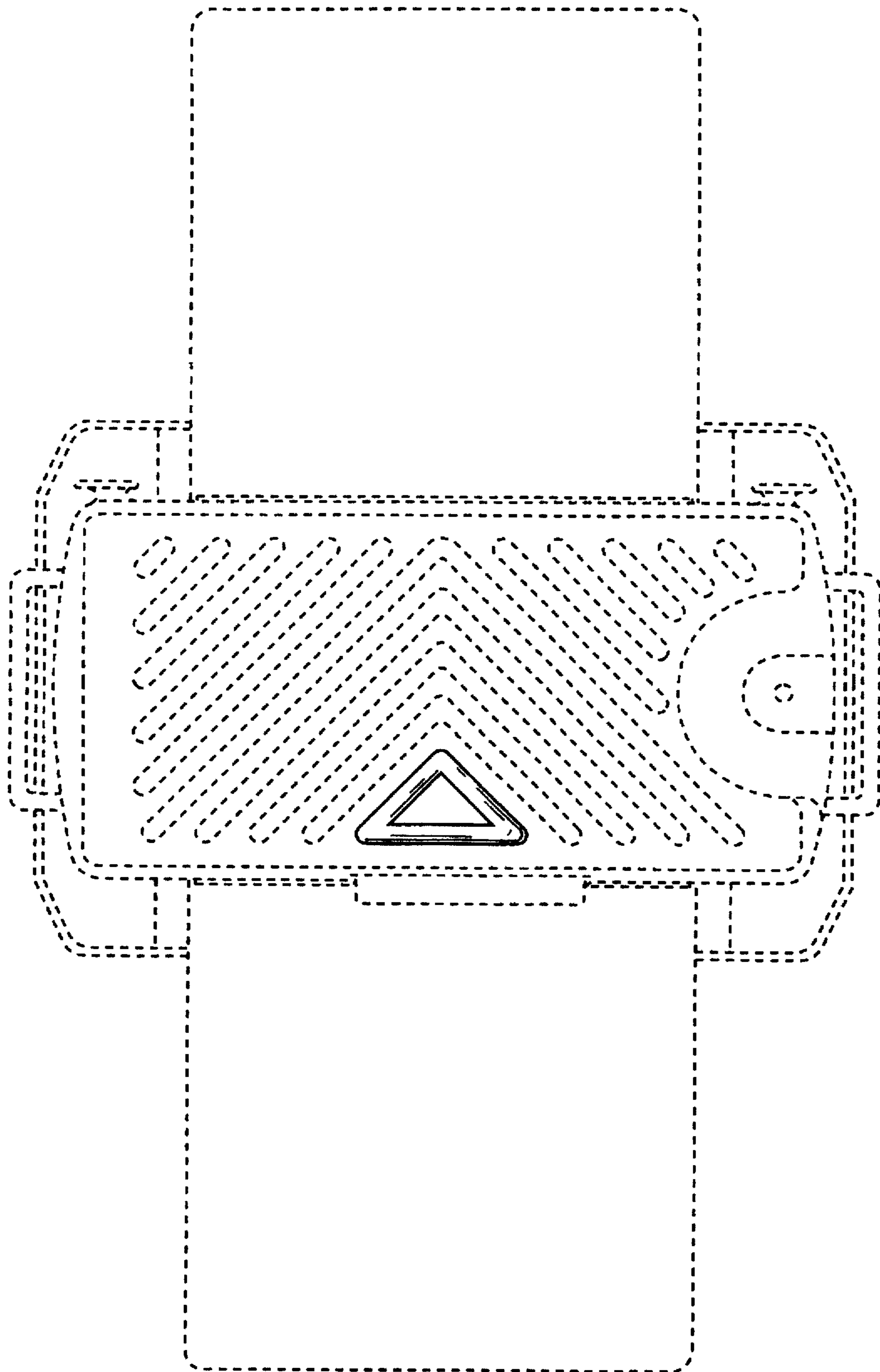


FIG. 3

