



US00D387362S

United States Patent [19]
Welsh

[11] **Patent Number: Des. 387,362**

[45] **Date of Patent: **Dec. 9, 1997**

[54] **UPPER RIB PATTERN FOR A PLANER**

[75] **Inventor: Robert P. Welsh, Hunt Valley, Md.**

[73] **Assignee: Black & Decker Inc., Newark, Del.**

[**] **Term: 14 Years**

[21] **Appl. No.: 65,047**

[22] **Filed: Jan. 17, 1997**

Related U.S. Application Data

[63] **Continuation of Ser. No. 62,168, Nov. 8, 1996.**

[51] **LOC (6) Cl. 15-09**

[52] **U.S. Cl. D15/127**

[58] **Field of Search D15/126-127;**
144/117.1, 114.1, 117 R, 144 R, 124-127 A,
154.5, 129, 130, 218, 225, 228, 230, 242.5,
245.1, 246.1, 250.2, 253.2, 252.1, 375;
408/115 R, 241 S; 409/175, 181; 606/79,
88, 172

[56] **References Cited**

U.S. PATENT DOCUMENTS

D. 323,834 2/1992 Fushiya et al. D15/133
D. 326,667 6/1992 Juang D15/127

Primary Examiner—Antoine Duval Davis
Attorney, Agent, or Firm—Adan Ayala; Bruce S. Shapiro

[57] **CLAIM**

The ornamental design for an upper rib pattern for a planer, as shown and described.

DESCRIPTION

FIG. 1 is a left side perspective view from the front of a upper rib pattern for a planer showing my new design; FIG. 2 is a top plan view of my design; FIG. 3 is a left elevational view of my design; FIG. 4 is a right elevational view of my design; FIG. 5 is a front elevational view of my design; and, FIG. 6 is a back elevational view of my design. In the attached drawings, any broken line illustration is not part of the design sought to be patented.

1 Claim, 5 Drawing Sheets

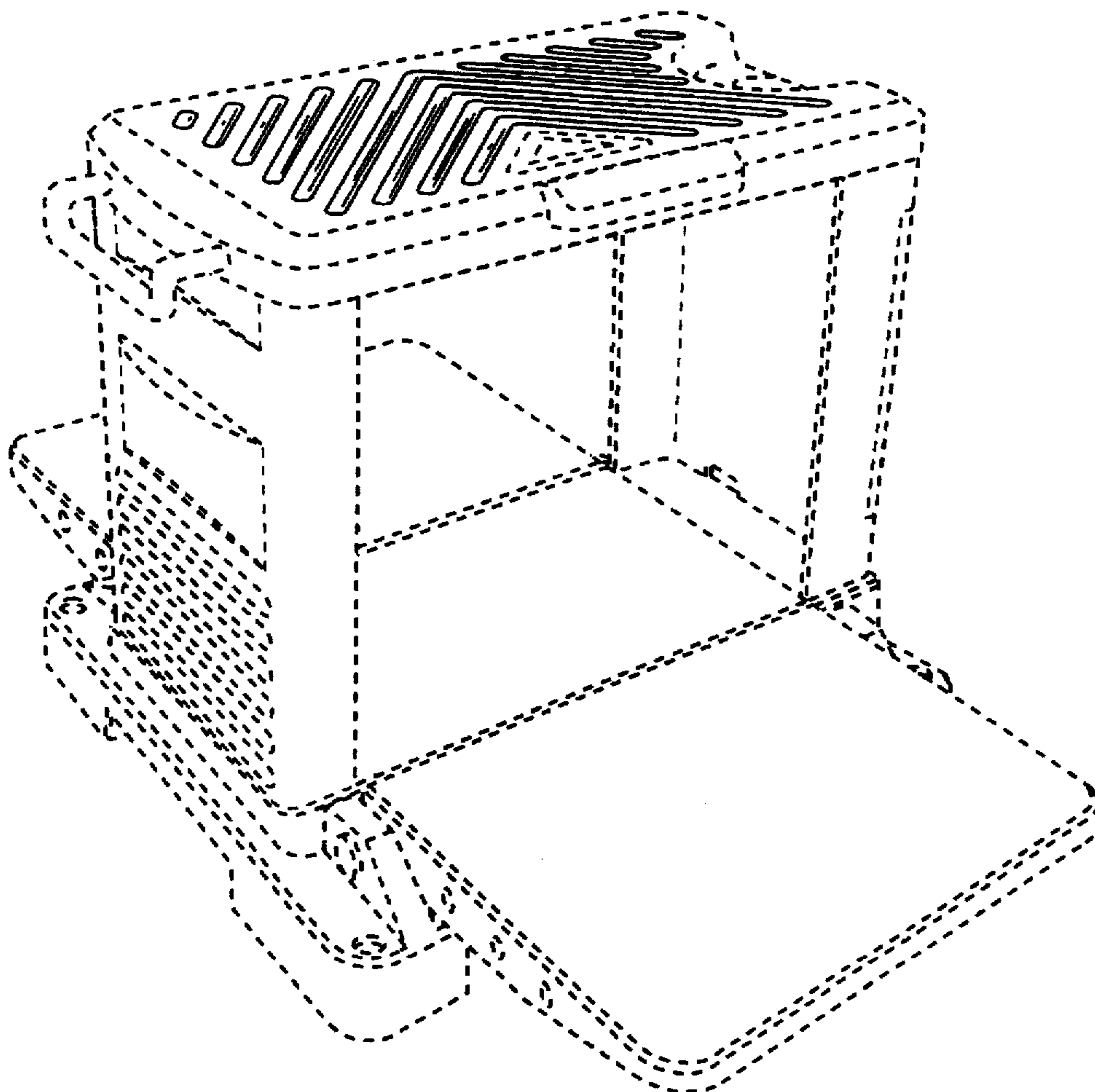


FIG. 1

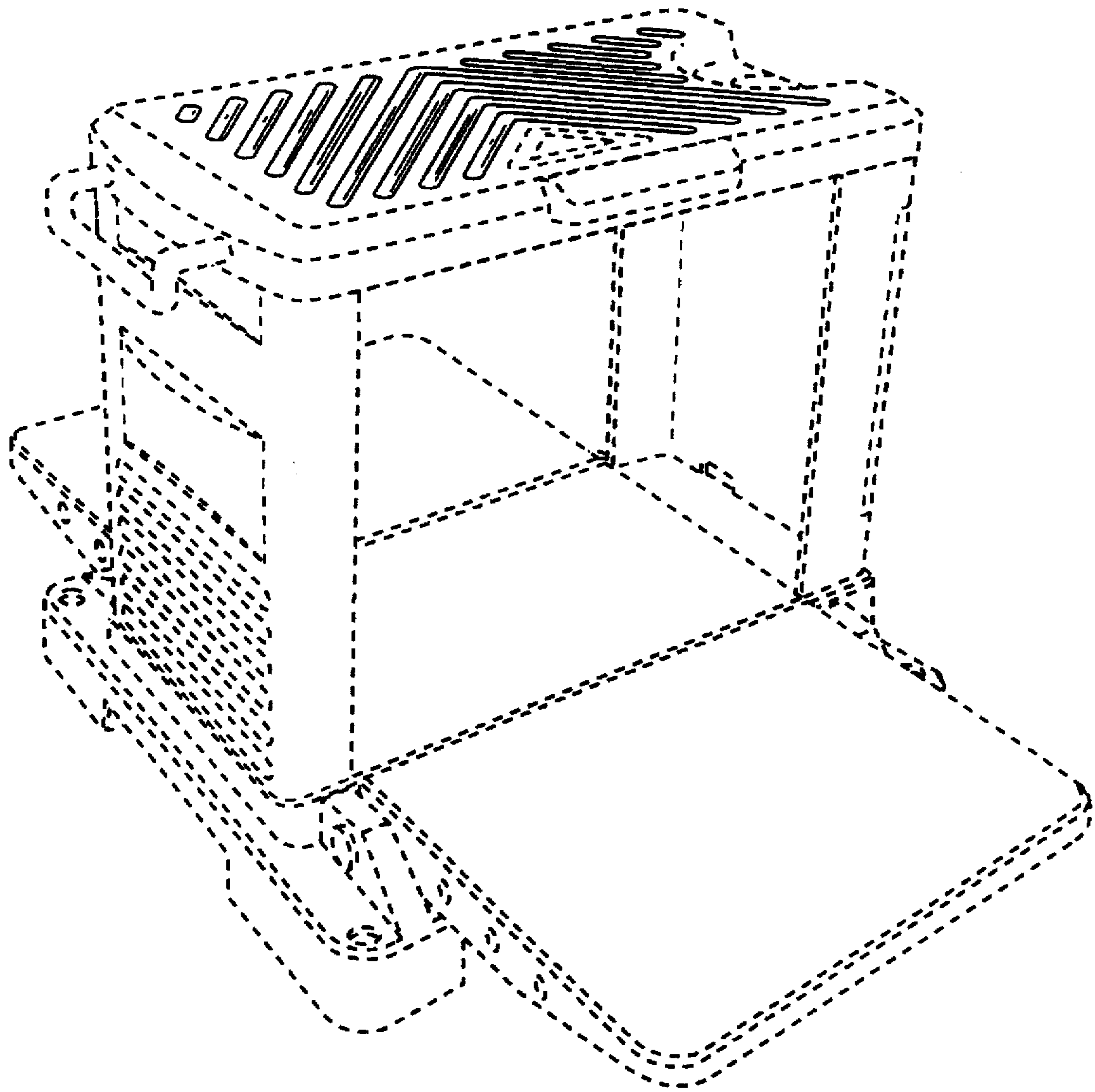


FIG. 2

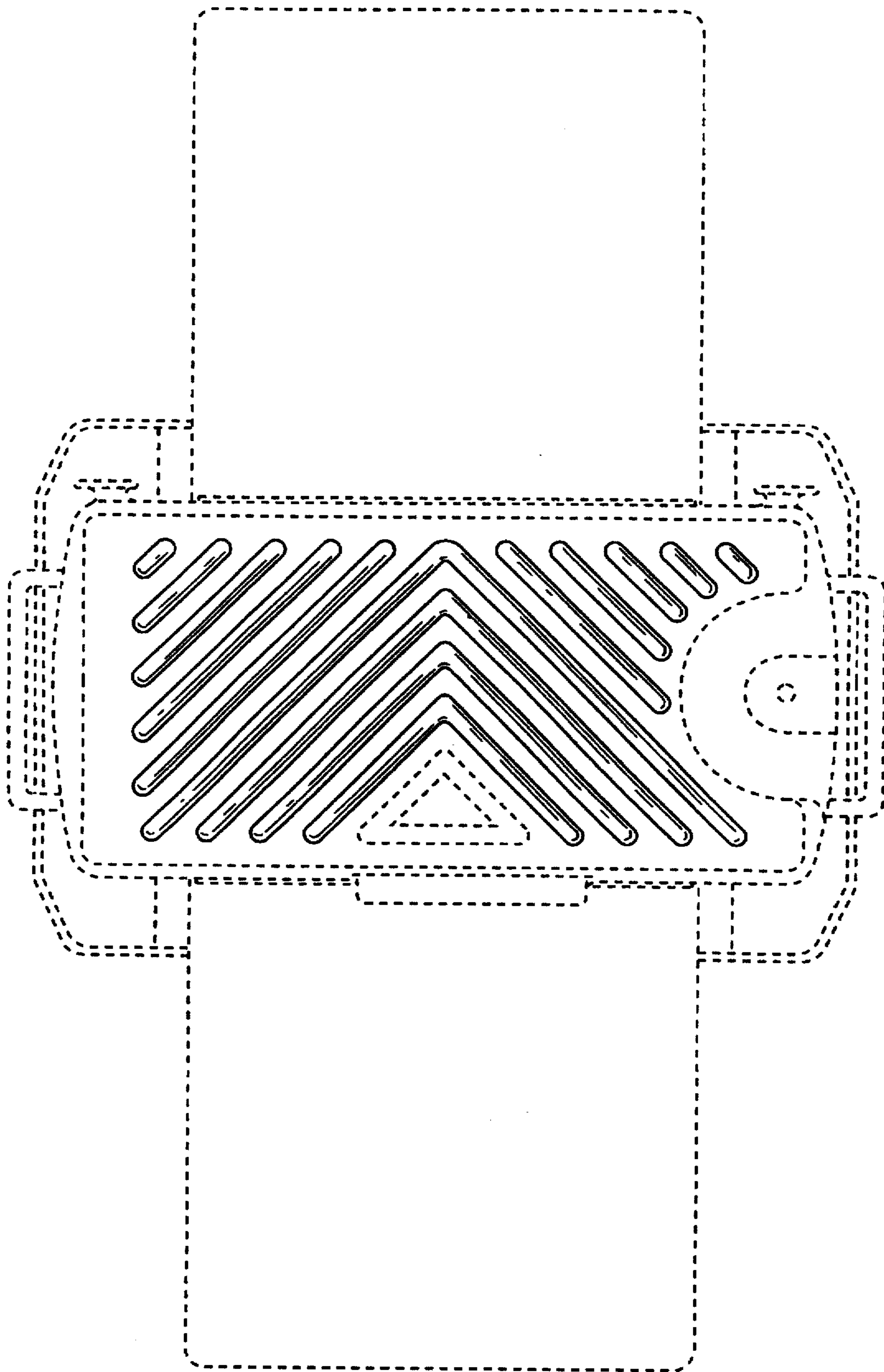


FIG. 3

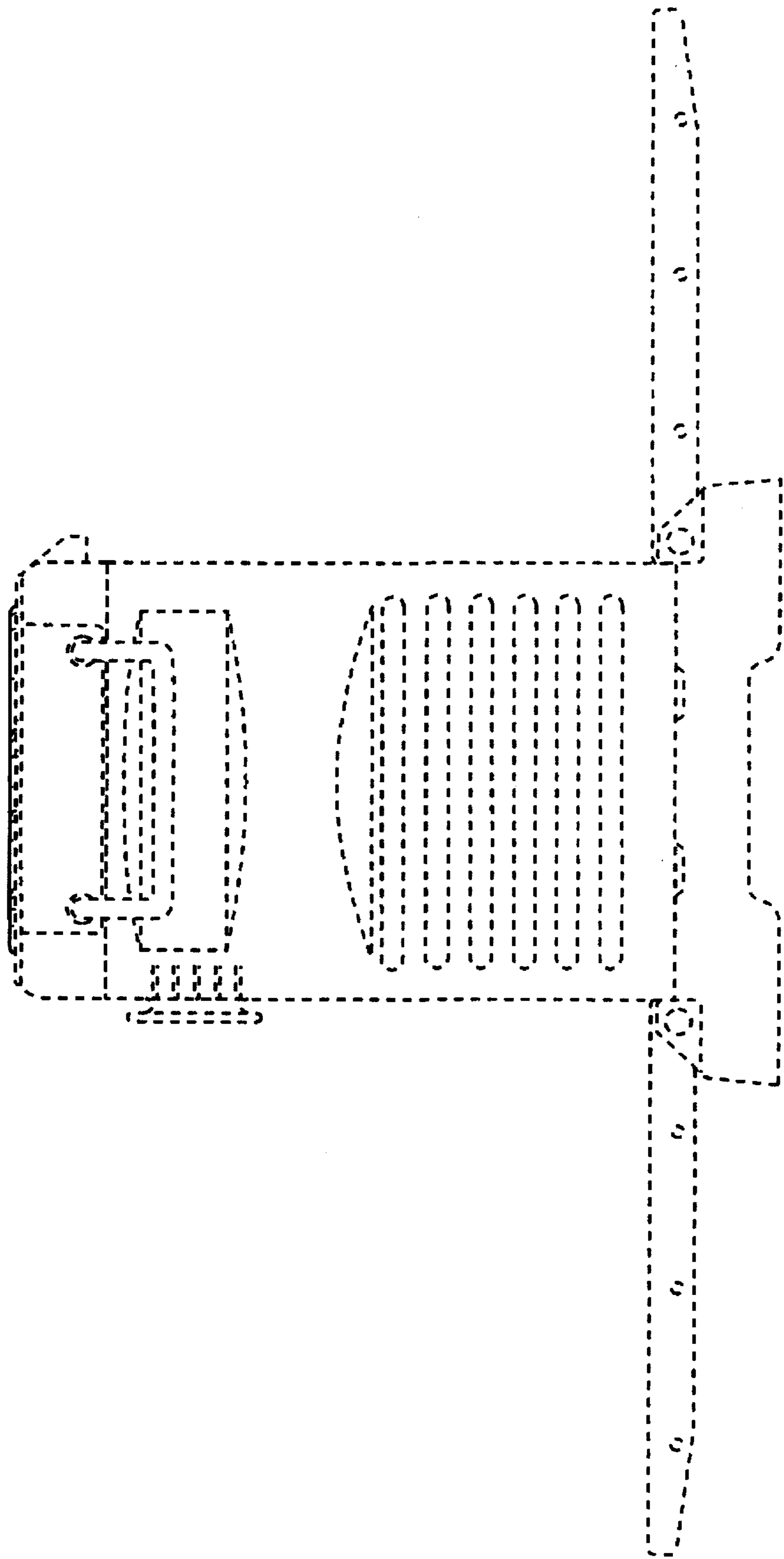


FIG. 4

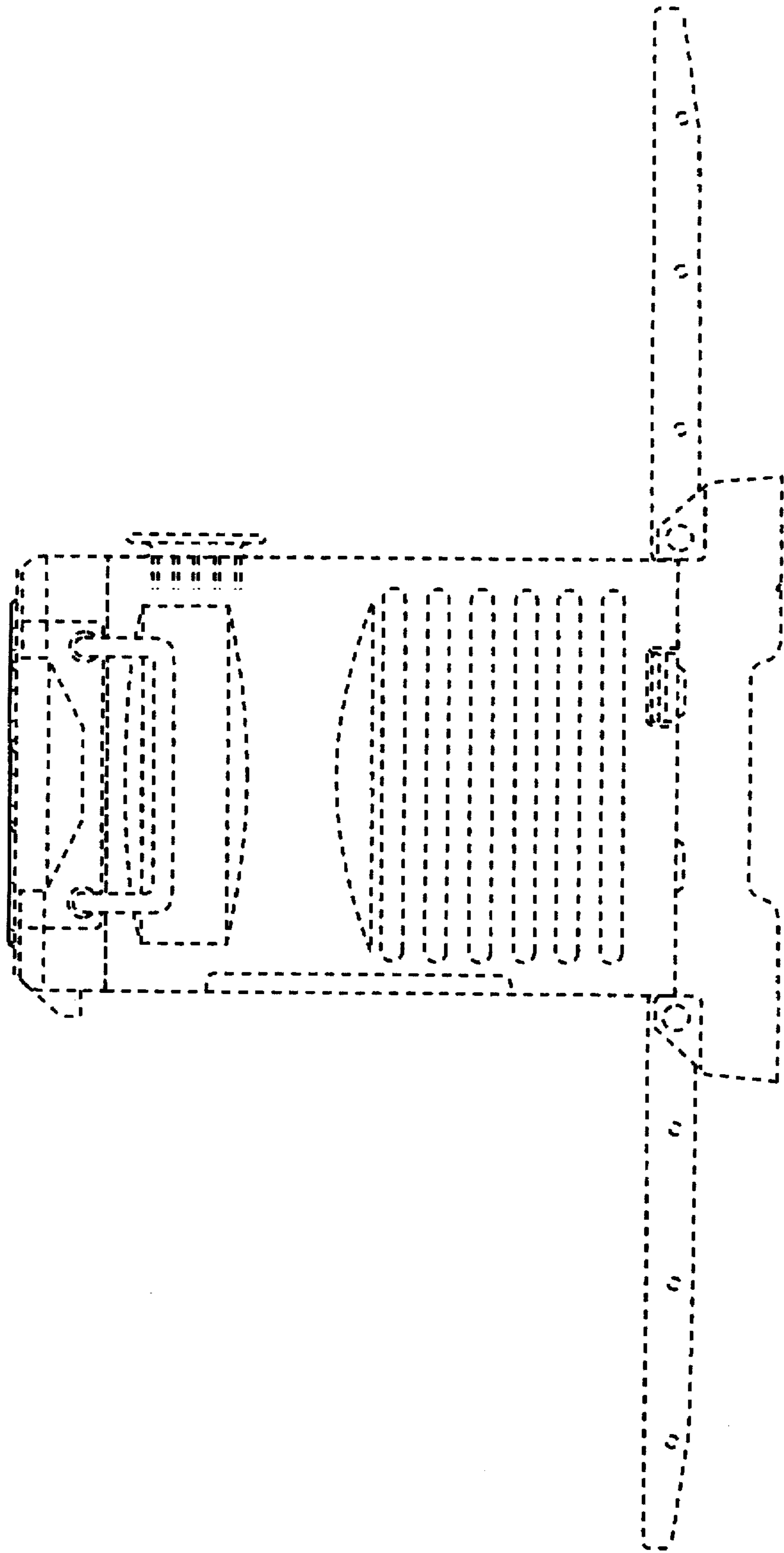


FIG. 5

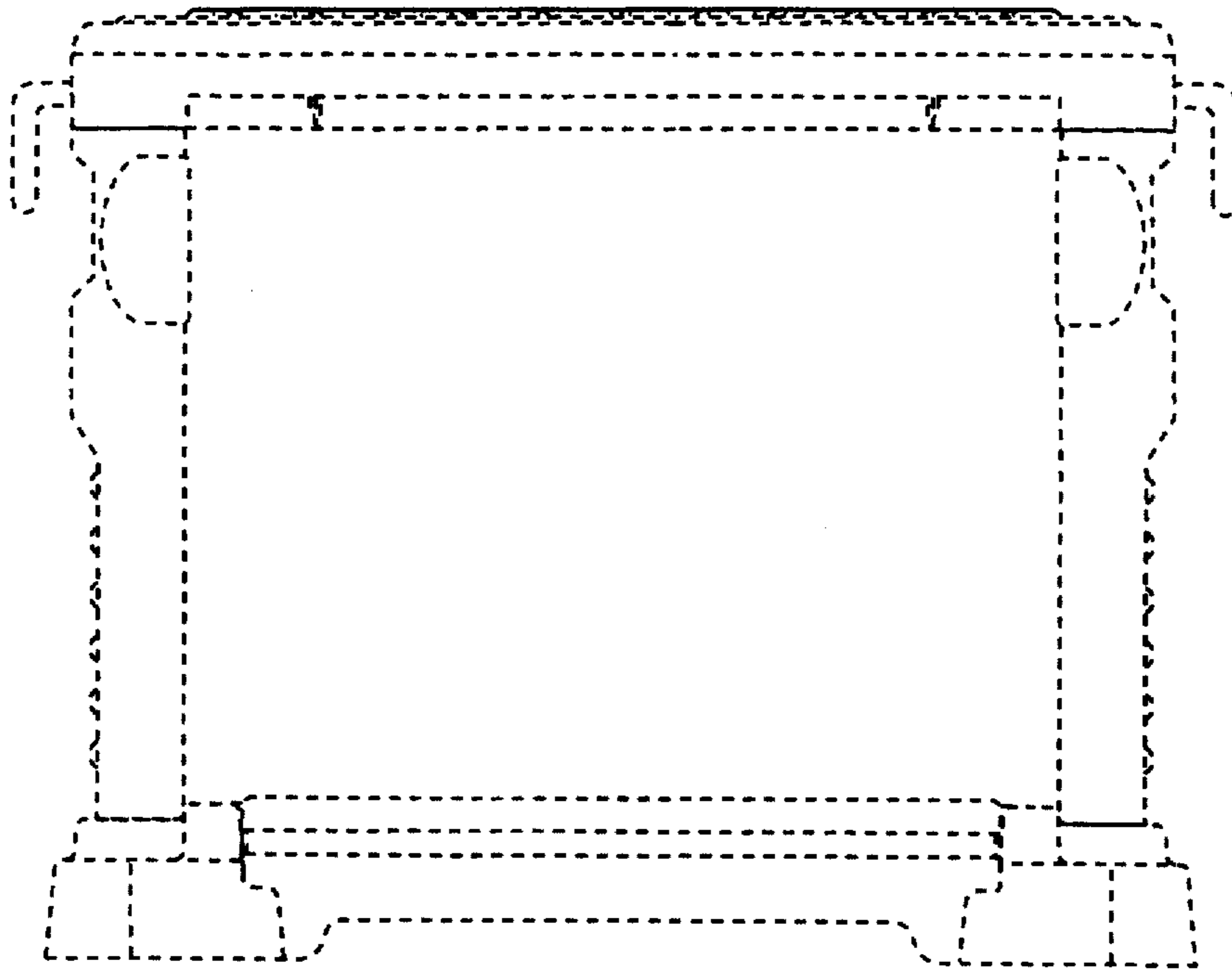


FIG. 6

