



US00D387361S

**United States Patent** [19]  
**Casanova**

[11] **Patent Number:** **Des. 387,361**  
[45] **Date of Patent:** **\*\*Dec. 9, 1997**

[54] **SUPPORT BODY FOR ABRASIVE TOOLS**

[75] **Inventor:** Sergio Casanova, Castel S. Pietro, Italy

[73] **Assignee:** F.E.M.I. Fabbrica Elettromeccanica Italiana S.p.A., Bologna, Italy

[\*\*] **Term:** 14 Years

[21] **Appl. No.:** 59,083

[22] **Filed:** Sep. 3, 1996

[30] **Foreign Application Priority Data**

Mar. 4, 1996 [XH] Hague Agreement ..... DM/035753

[51] **LOC (6) Cl.** ..... 15-09

[52] **U.S. Cl.** ..... D15/125

[58] **Field of Search** ..... D15/125; 451/149-162,  
451/179-193, 211, 278, 282, 451

[56] **References Cited**

**U.S. PATENT DOCUMENTS**

D. 148,077 12/1947 Leach ..... D15/125

D. 214,805 7/1969 Averitte ..... D15/125  
4,578,907 4/1986 Cayley et al. .... 451/451  
5,495,988 3/1996 Follese et al. .... 451/451 X  
5,591,075 1/1997 Chang ..... 451/451

*Primary Examiner*—Antoine Duval Davis  
*Attorney, Agent, or Firm*—Darby & Darby

[57] **CLAIM**

The ornamental design for support body for abrasive tools, as shown and described.

**DESCRIPTION**

FIG. 1 is a frontal view of a support body for abrasive tools, embodying my new design;  
FIG. 2 is a lateral right view thereof;  
FIG. 3 is a lateral left view thereof;  
FIG. 4 is a rear view thereof;  
FIG. 5 is a top plan view thereof;  
FIG. 6 is a plan view from below thereof; and,  
FIG. 7 is a perspective view thereof.

**1 Claim, 2 Drawing Sheets**

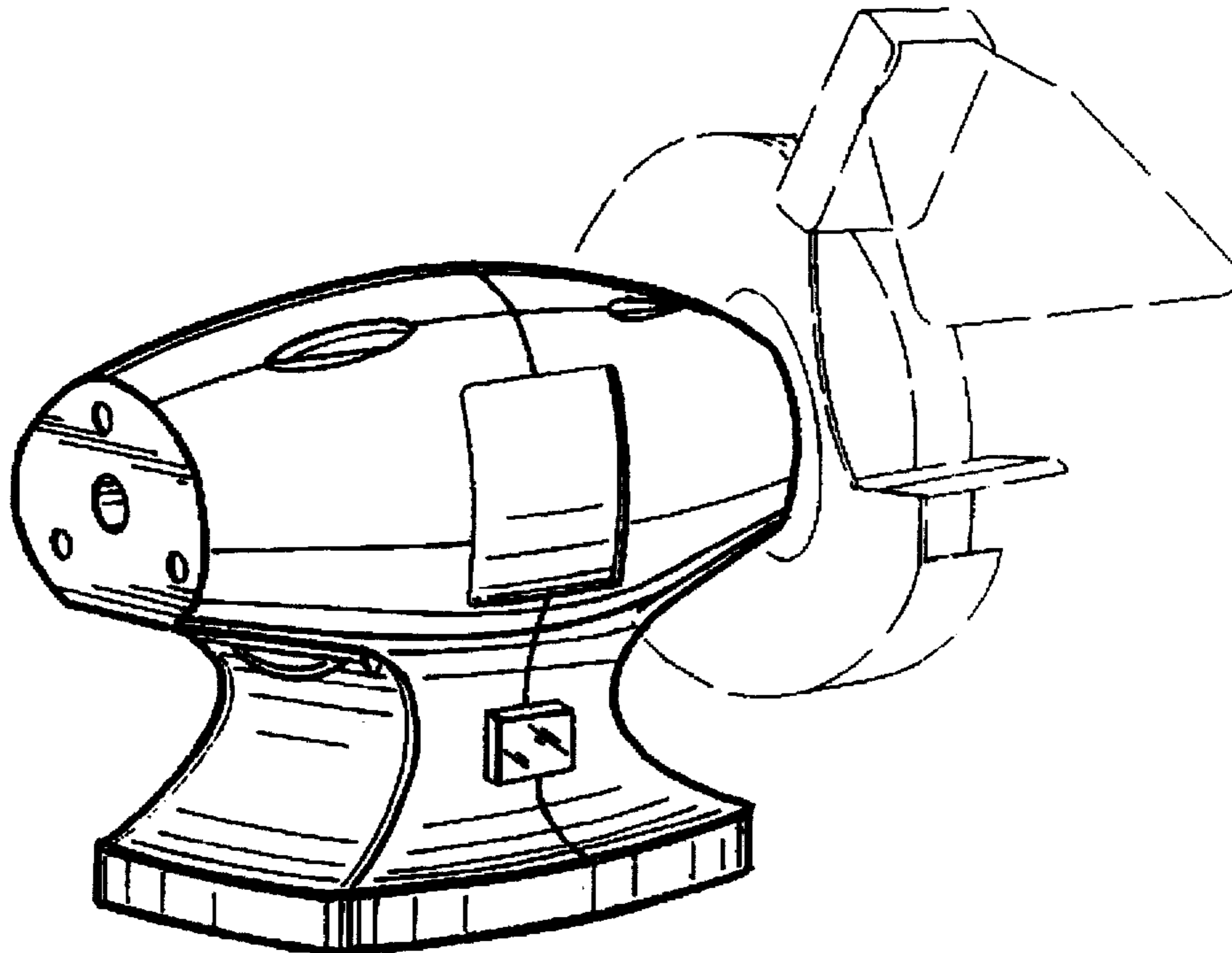


FIG 2

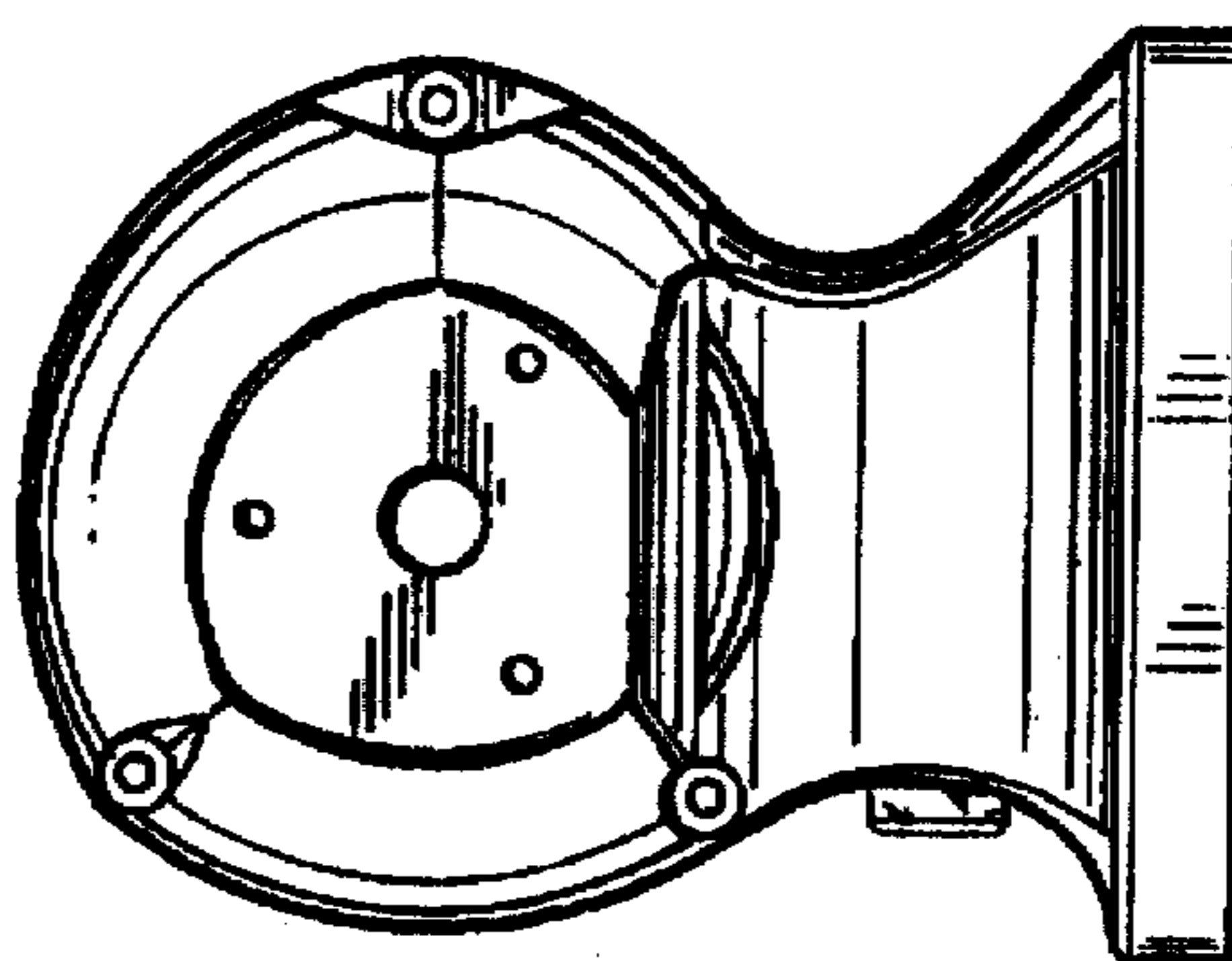


FIG 1

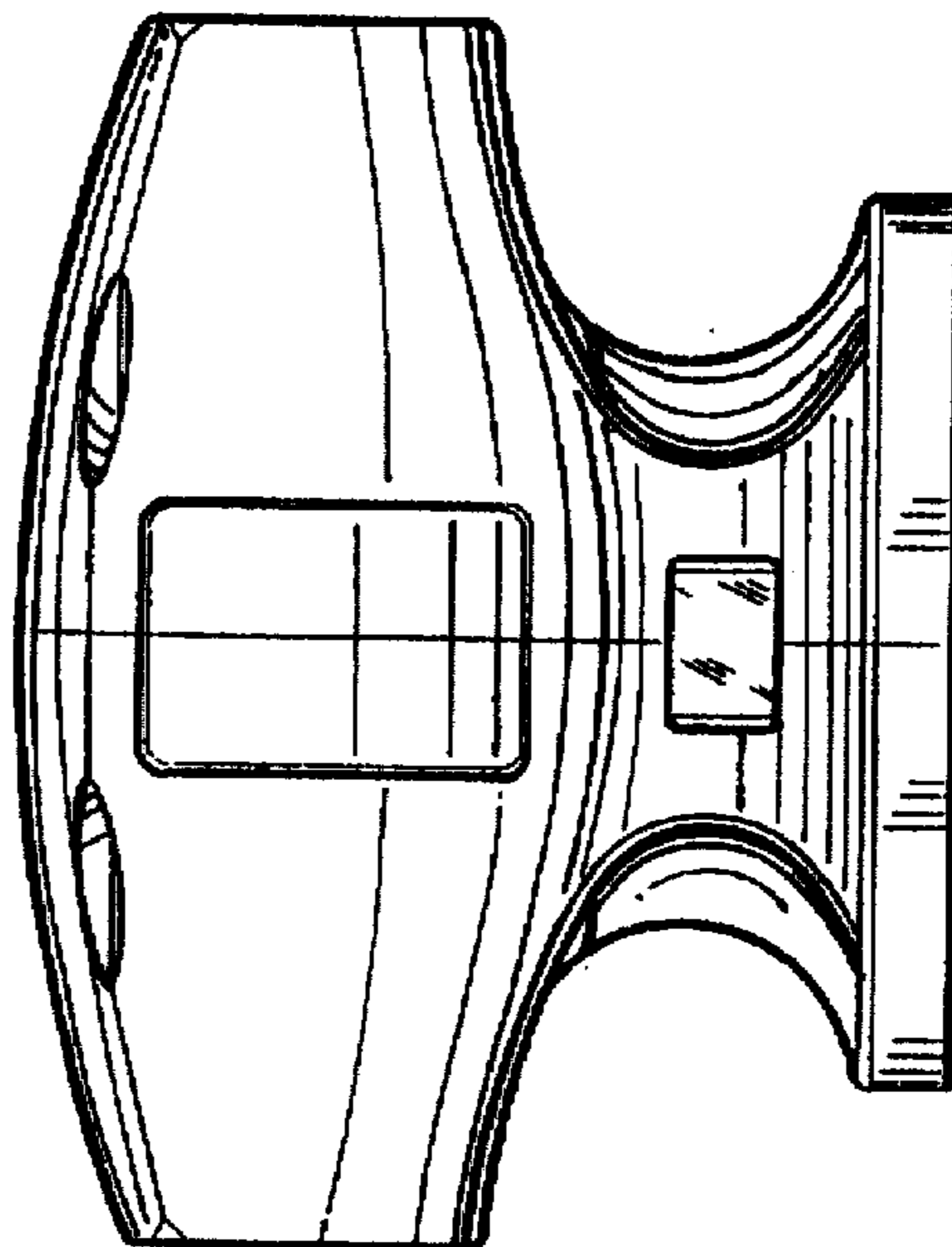
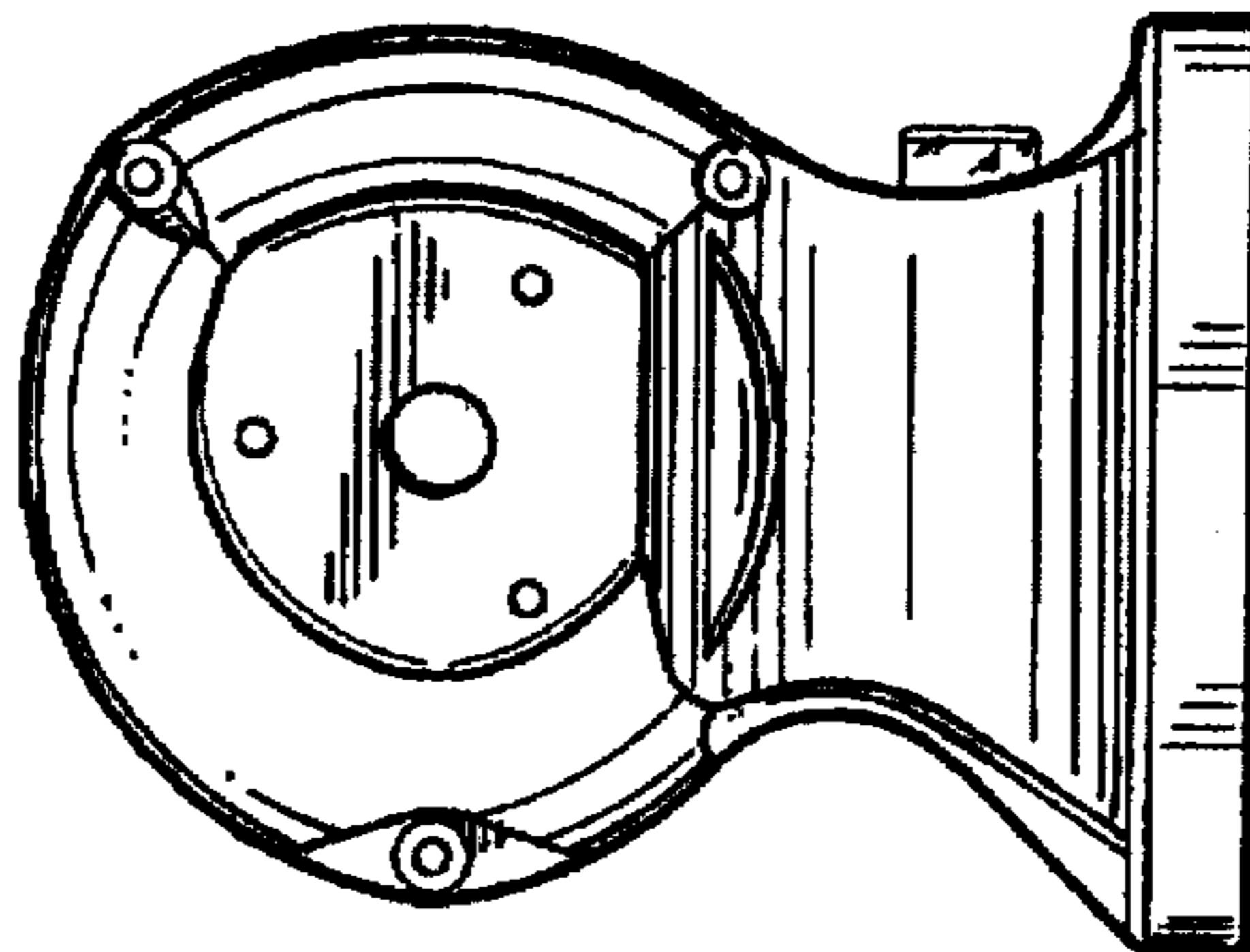


FIG 3



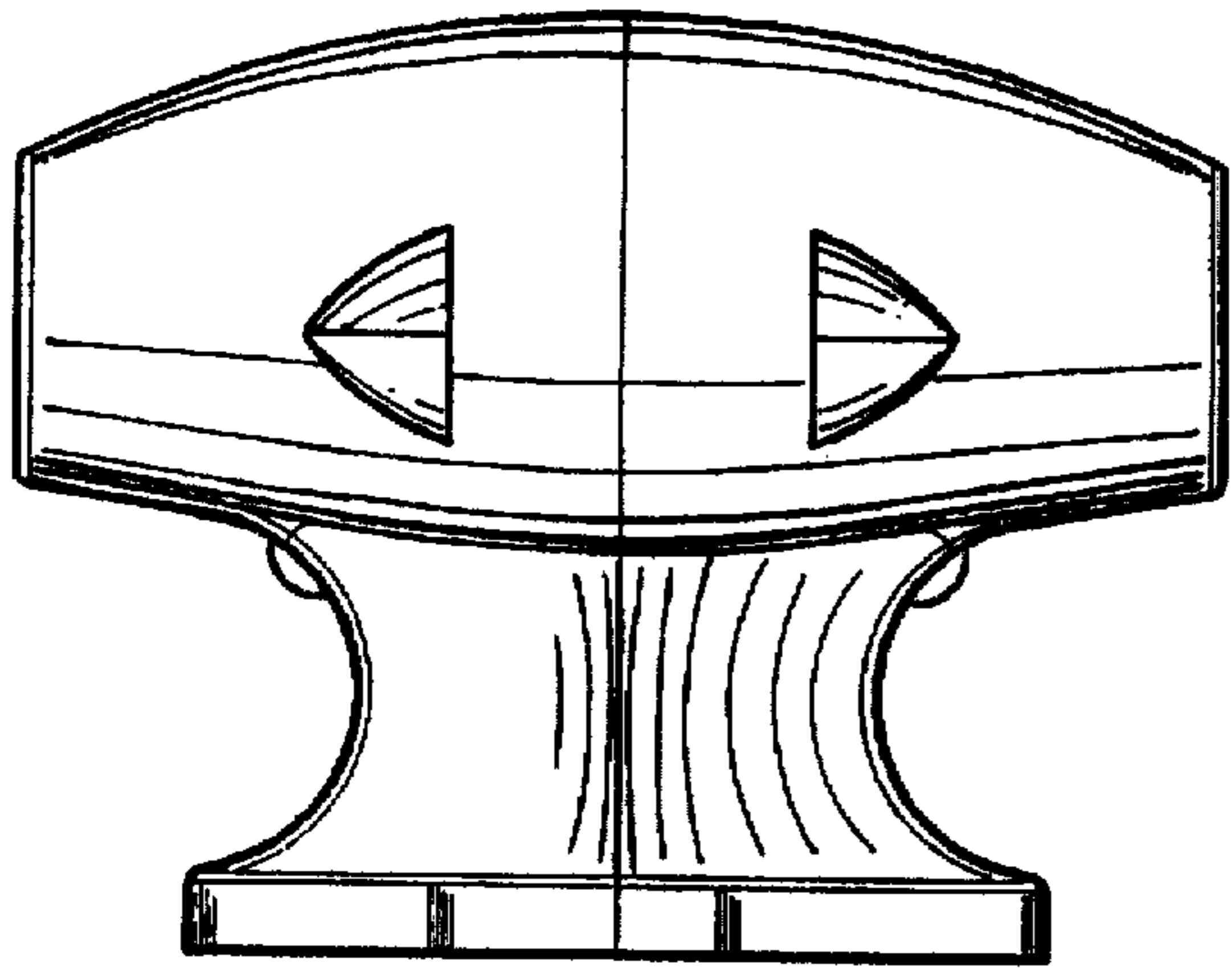


FIG 4

FIG 5

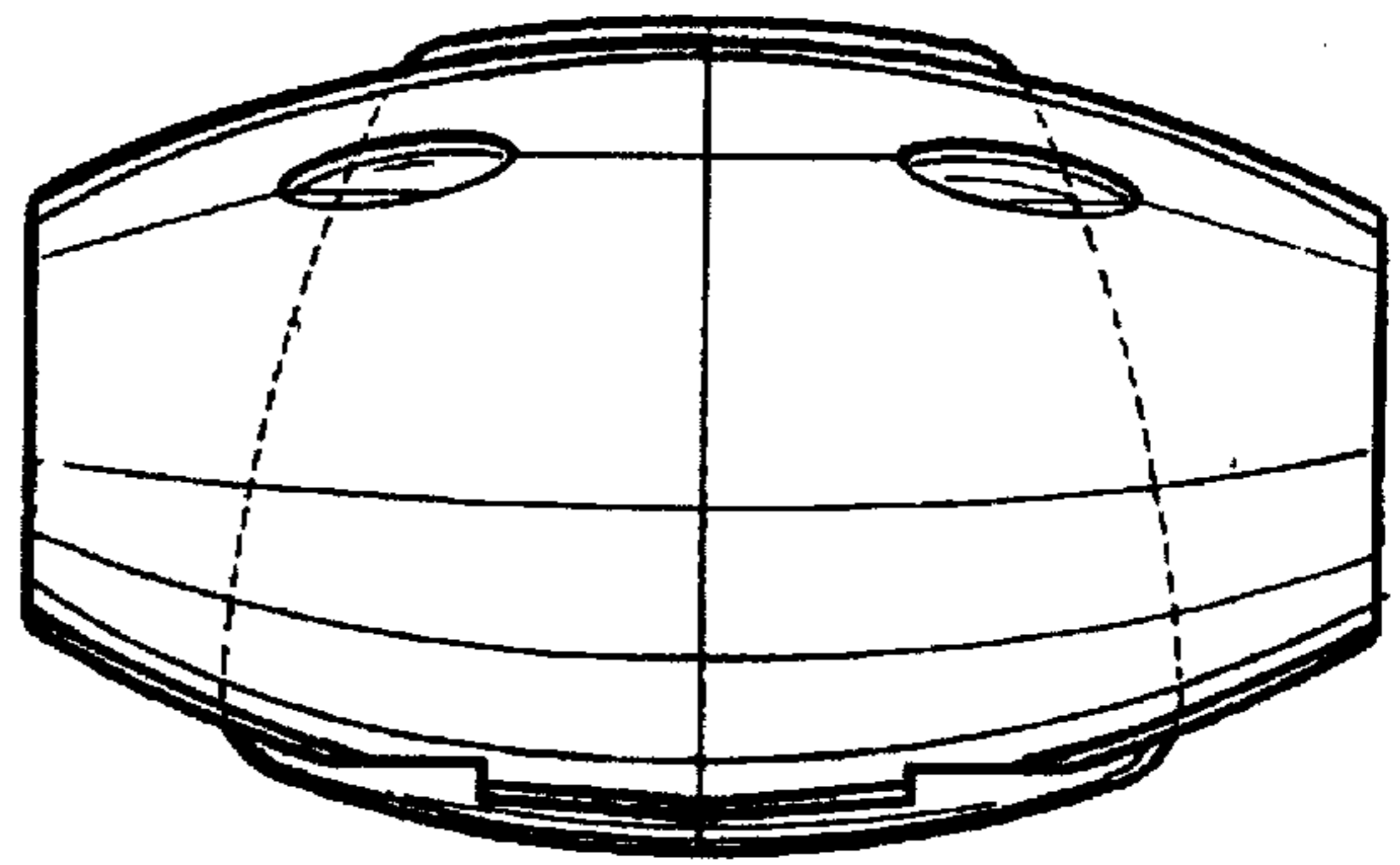


FIG 6

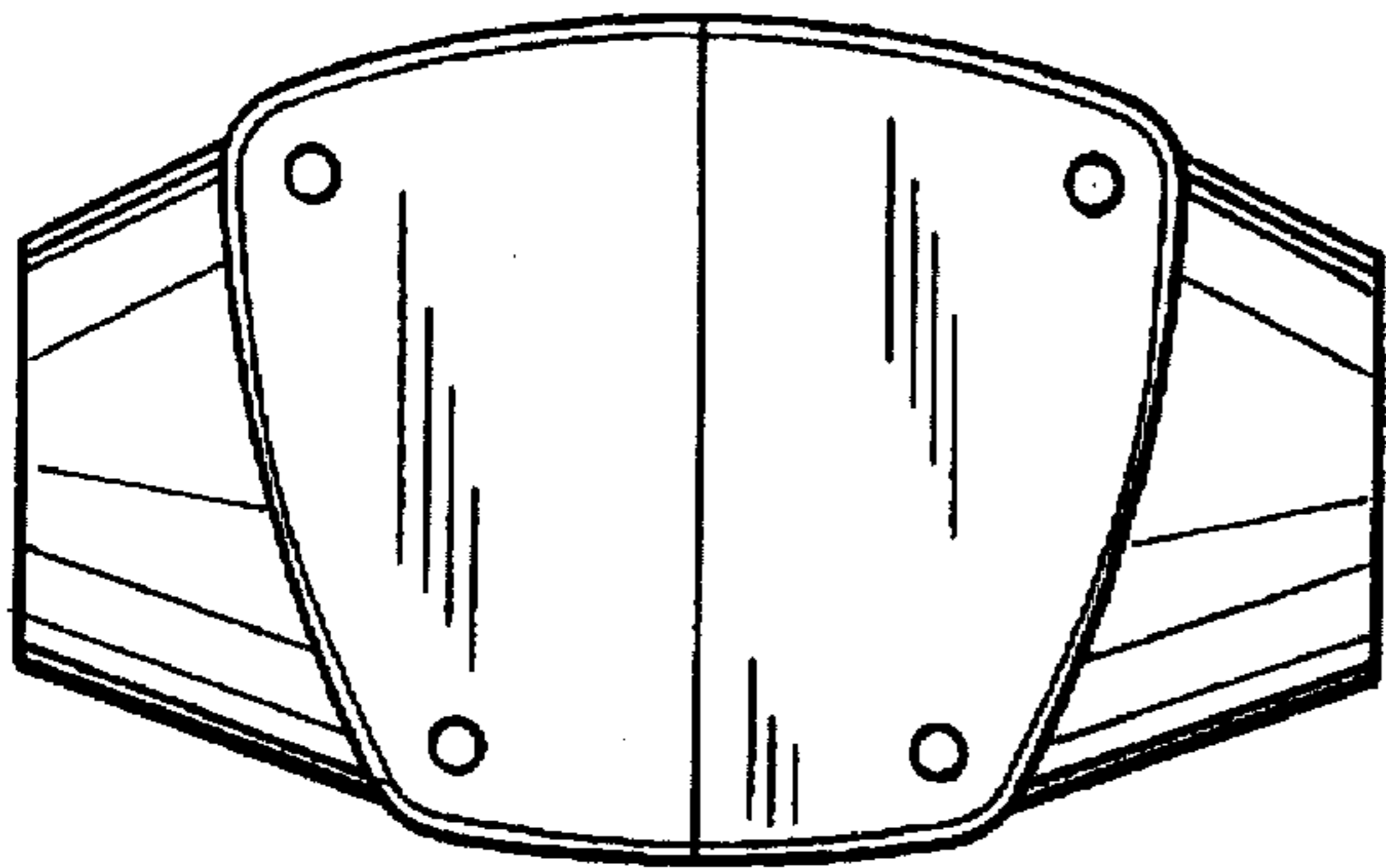
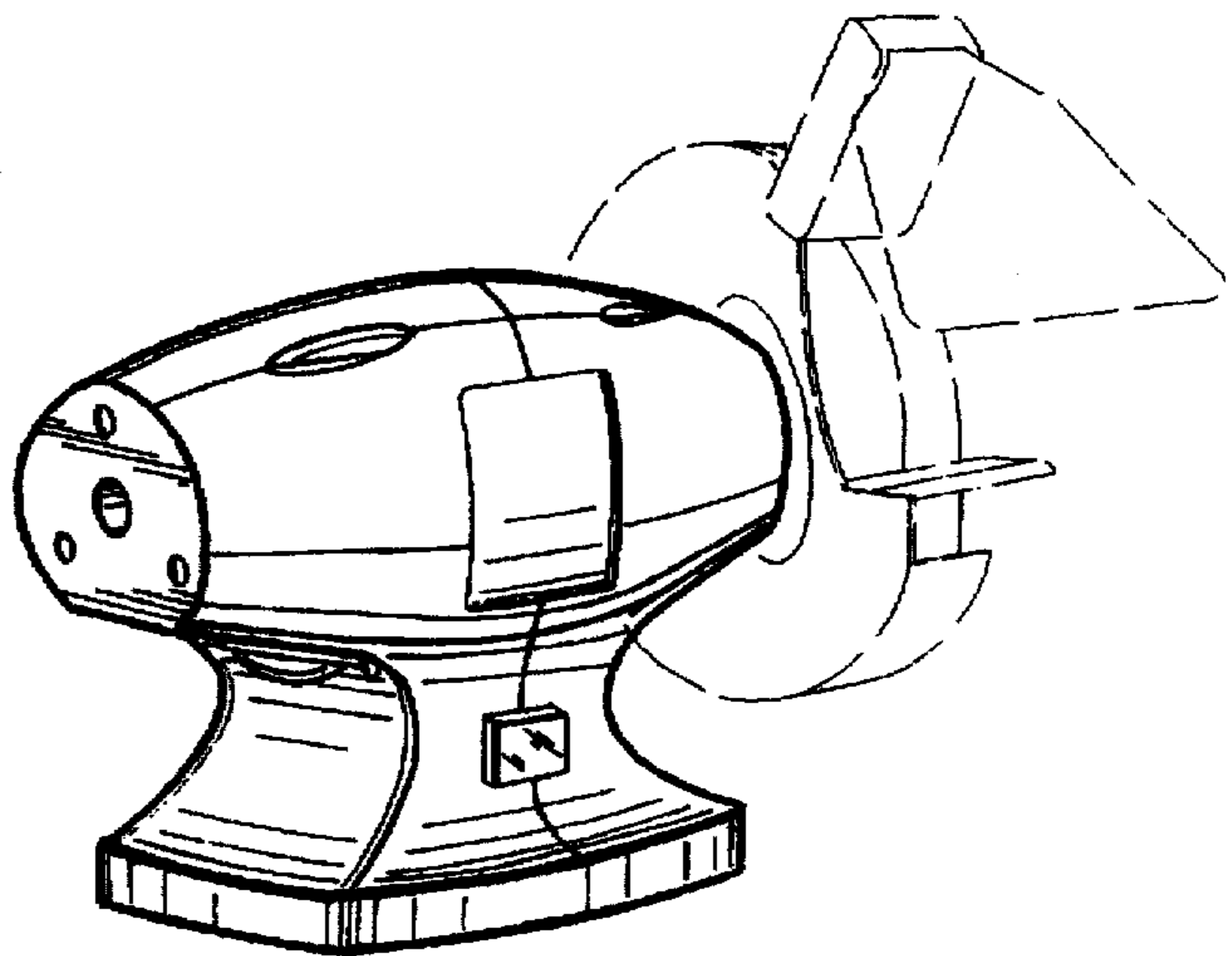


FIG 7



UNITED STATES PATENT AND TRADEMARK OFFICE  
**CERTIFICATE OF CORRECTION**

Des. 387,361

PATENT NO. :  
DATED :  
INVENTOR(S) :

December 9, 1997

Sergio CASANOVA

It is certified that error appears in the above-identified patent and that said Letters Patent is hereby corrected as shown below:

Title page, [30], Foreign Application Priority Data,  
change

"Mar. 4, 1996 [XH] Hague Agreement ..... DM/035753" to  
--Mar. 4, 1996 [WO] WIPO.....DM/035753--.

Signed and Sealed this  
Fourteenth Day of April, 1998



Attest:

BRUCE LEHMAN

Attesting Officer

Commissioner of Patents and Trademarks