



US00D387360S

United States Patent [19]

[11] Patent Number: **Des. 387,360**

Ishizaki et al.

[45] Date of Patent: ****Dec. 9, 1997**

[54] **BACKHOE**

4,728,251	3/1988	Takashima et al.	414/694
4,771,855	9/1988	Takashima et al.	180/326
4,776,750	10/1988	Griswold et al.	37/103

[75] Inventors: **Masahiro Ishizaki; Akira Takashima; Tadashi Kusunoki; Masahiko Kobayashi**, all of Sakai, Japan

FOREIGN PATENT DOCUMENTS

[73] Assignee: **Kubota Corporation**, Osaka, Japan

D. 74074 3/1994 Canada .

[**] Term: **14 Years**

Primary Examiner—Sandra L. Morris
Attorney, Agent, or Firm—Webb Ziesenheim Bruening
Logsdon Orkin & Hanson, P.C.

[21] Appl. No.: **52,809**

[57] CLAIM

[22] Filed: **Apr. 9, 1996**

The ornamental design for a backhoe, as shown and described.

[30] Foreign Application Priority Data

DESCRIPTION

Dec. 11, 1995 [JP] Japan DES 7-37459

[51] LOC (6) Cl. **15-04**

[52] U.S. Cl. **D15/25**

[58] Field of Search 15/10, 22-26;
37/348, 403; 180/89.1, 89.12, 139, 235,
326; 414/698, 699, 694

FIG. 1 is a front view of our backhoe;
FIG. 2 is a rear view thereof;
FIG. 3 is a right side view thereof;
FIG. 4 is a left side view thereof;
FIG. 5 is a top plan view thereof, showing an extended position of a pair of tracks;
FIG. 6 is a bottom view thereof; and,
FIG. 7 is a plan view showing a retracted position of the pair of tracks.

[56] References Cited

U.S. PATENT DOCUMENTS

D. 273,384	4/1984	Nasu et al.	D15/24
D. 309,313	7/1990	Takashima et al.	D15/24
4,541,161	9/1985	Shimoie	37/103

1 Claim, 7 Drawing Sheets

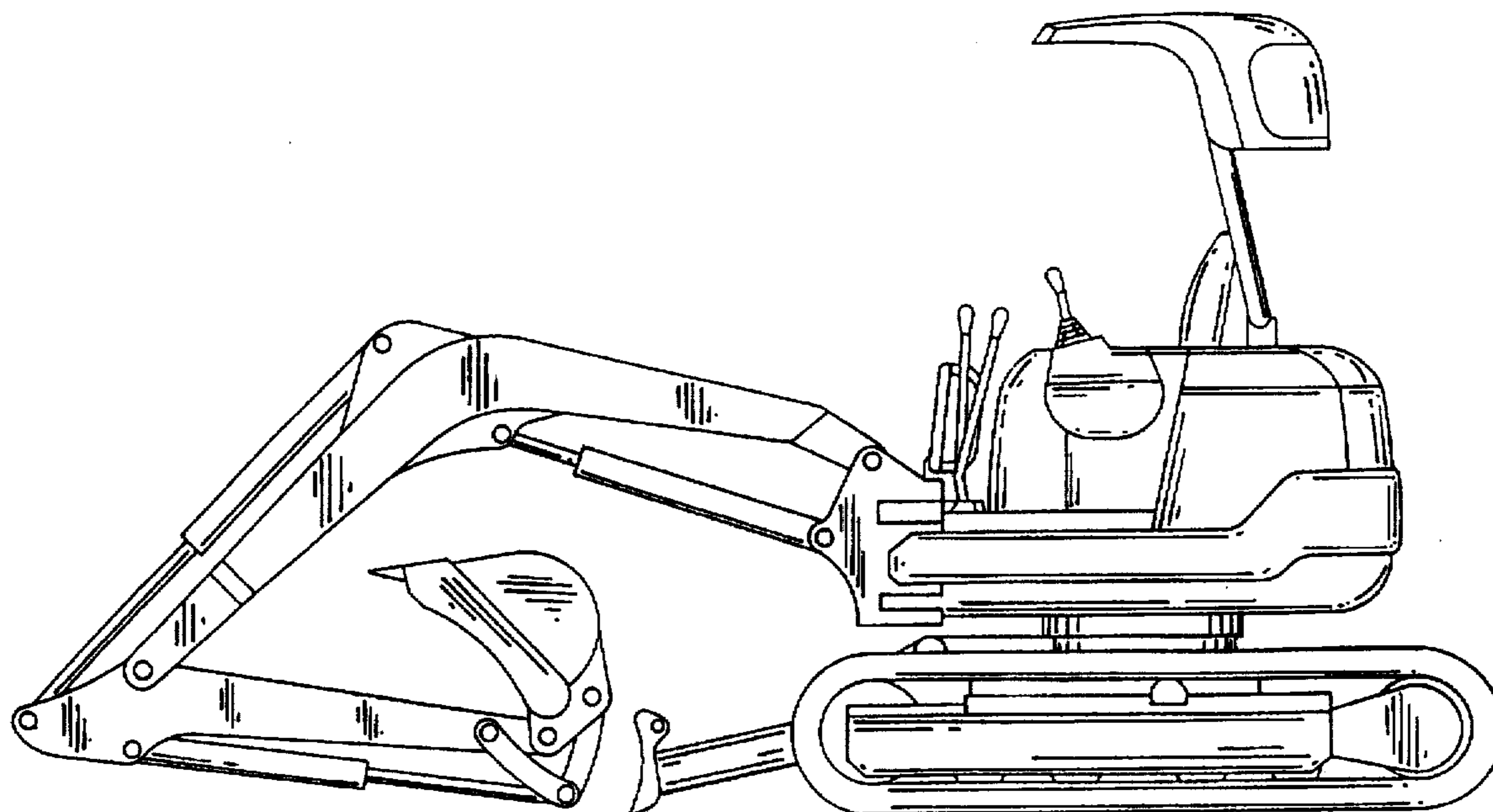


Fig. 1

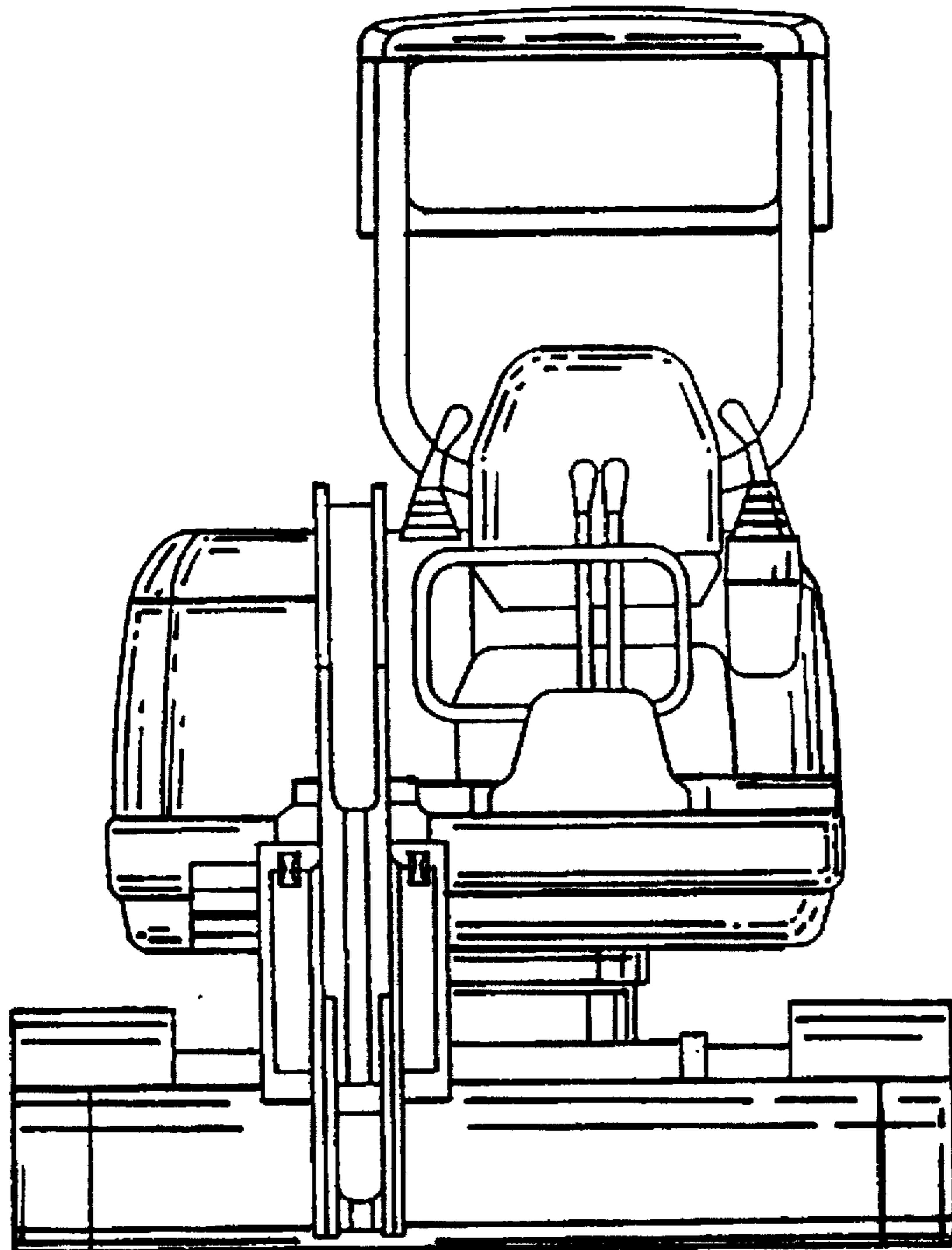
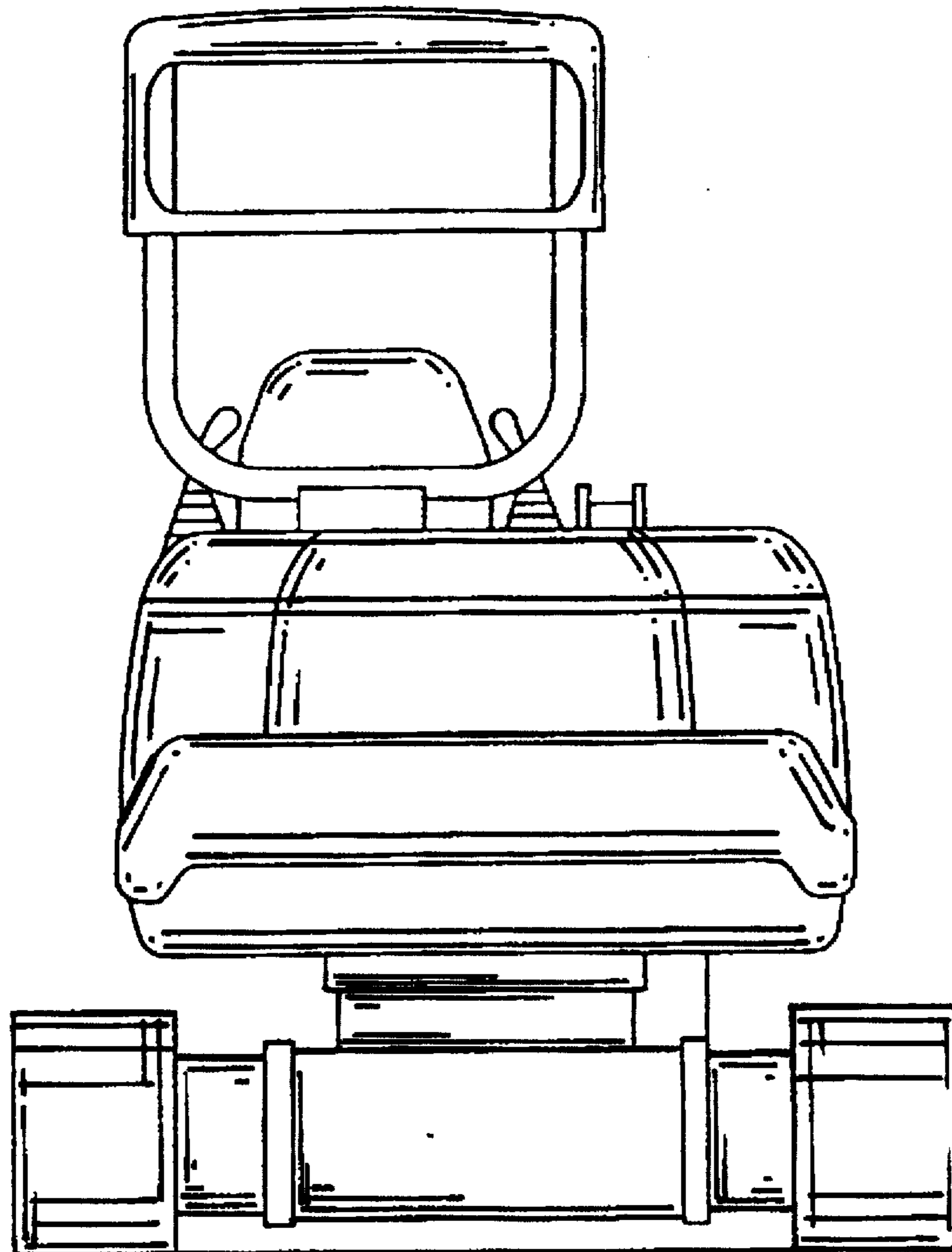


Fig. 2



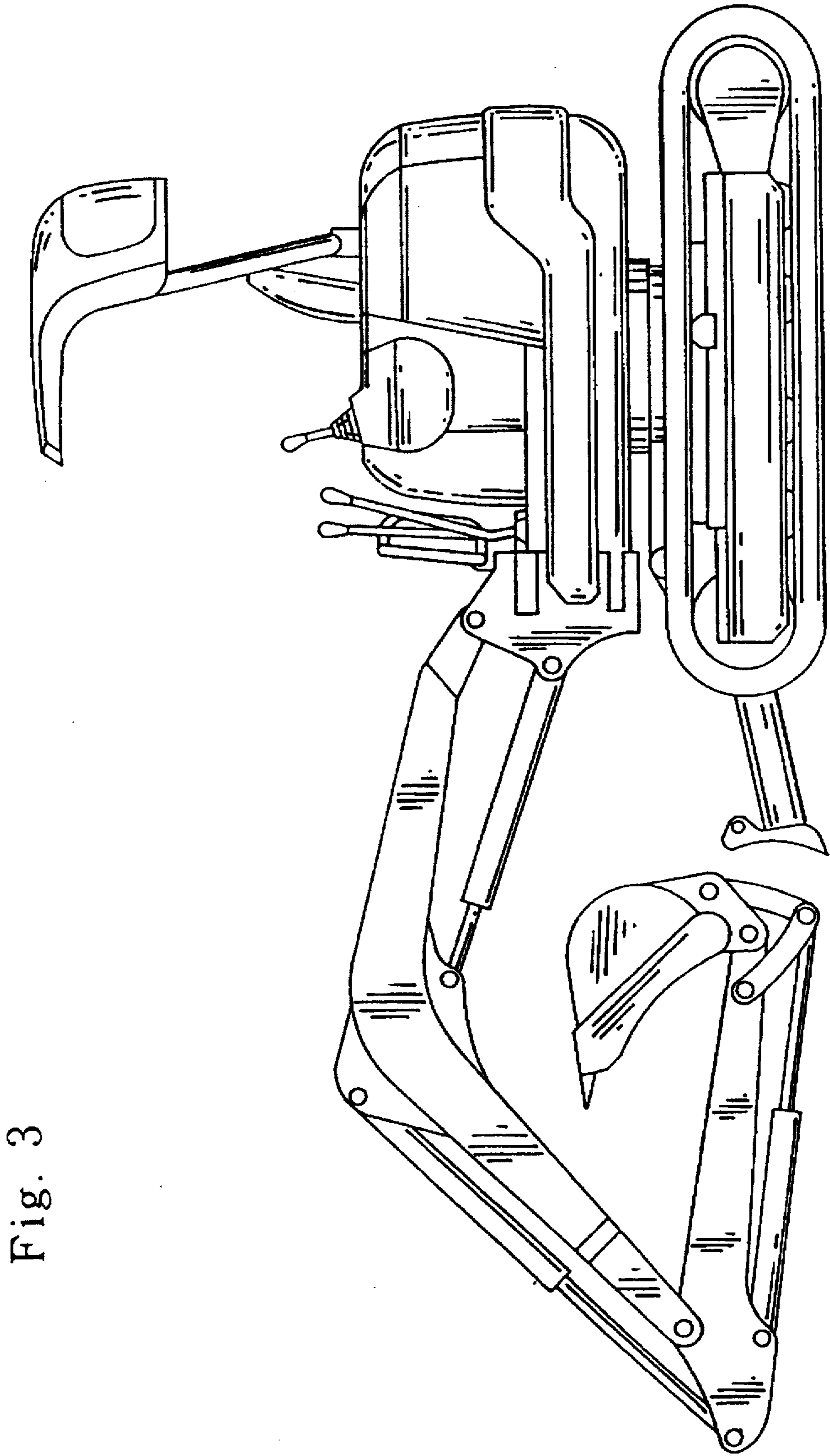


Fig. 3

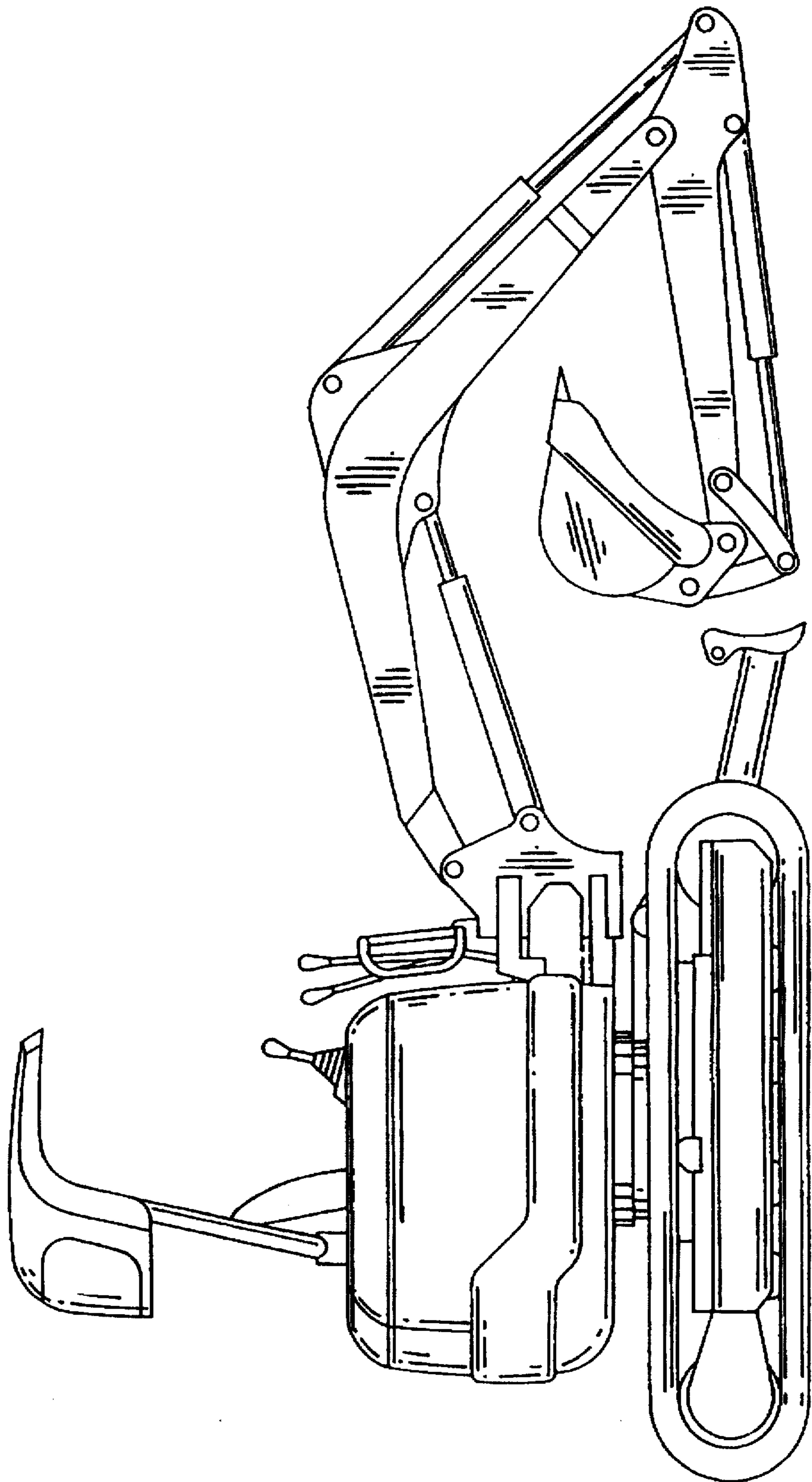


Fig. 4

Fig. 5

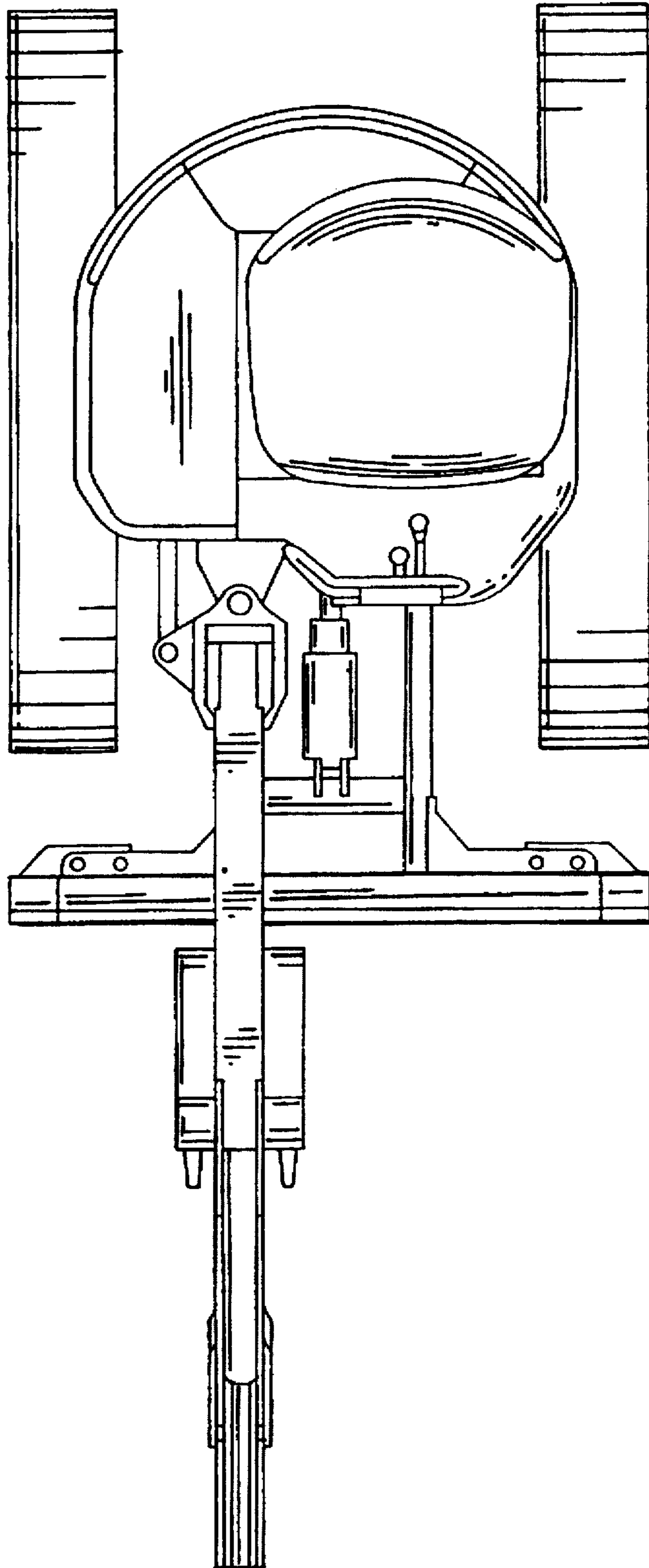


Fig. 6

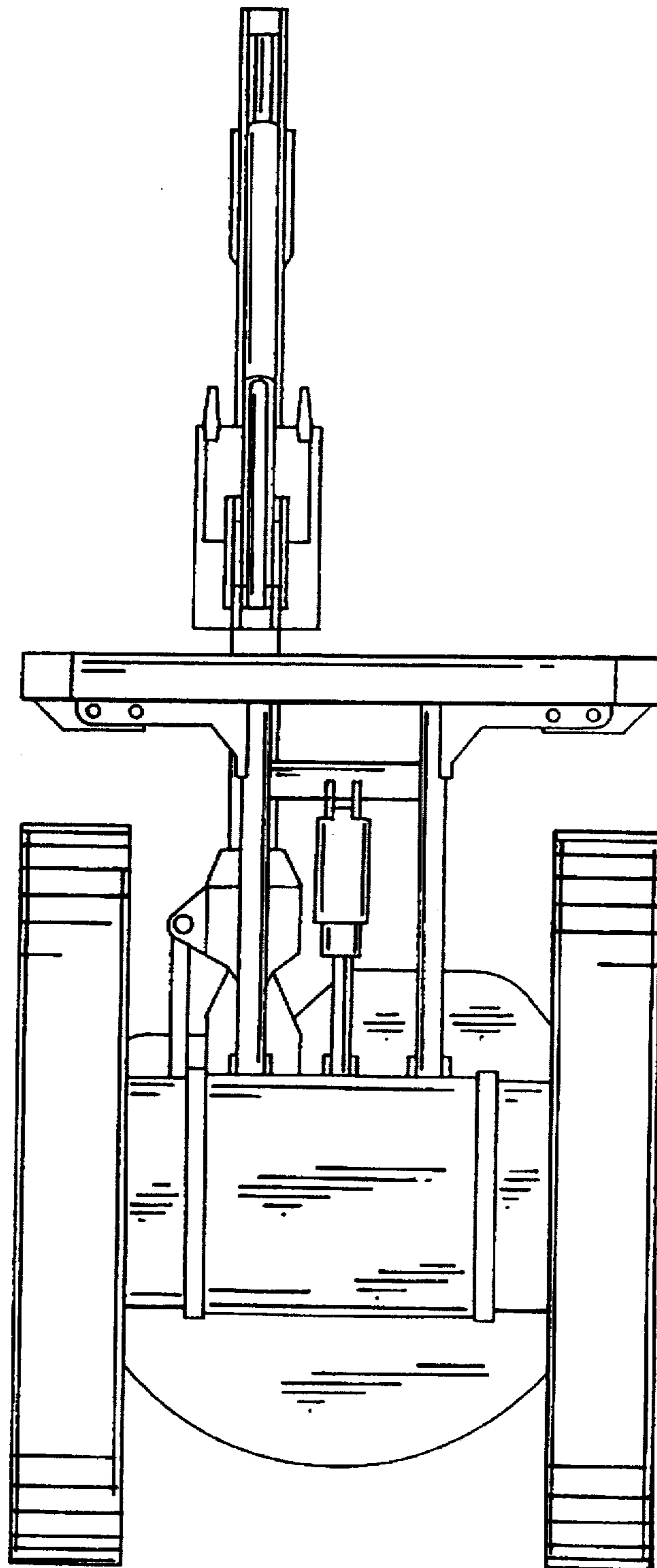


Fig. 7

