



US00D387358S

**United States Patent** [19]  
**Wolf**

[11] **Patent Number: Des. 387,358**

[45] **Date of Patent: \*\*Dec. 9, 1997**

[54] **RIDING MOWER**

D. 365,349 12/1995 Katoh et al. .... D15/15  
5,136,829 8/1992 Sebben et al. .... D15/15

[76] **Inventor: Bradley John Wolf, 7565 Basswood Ct. #F, N. Royalton, Ohio 44133**

**OTHER PUBLICATIONS**

[\*\*] **Term: 14 Years**

'95 John Deere Season Savings Brochure, cover 6X75 Mower, right.

[21] **Appl. No.: 59,203**

*Primary Examiner*—Sandra L. Morris

[22] **Filed: Sep. 5, 1996**

[57] **CLAIM**

[51] **LOC (6) Cl. .... 15-03**

The ornamental design for a riding mower, as shown.

[52] **U.S. Cl. .... D15/15**

**DESCRIPTION**

[58] **Field of Search .... D15/14-17; 56/17.5, 56/249, 255, 29.5, 320.1, 320.2**

FIG. 1 is a left side elevational view of a riding mower, showing my new design;

[56] **References Cited**

FIG. 2 is a right side elevational view thereof;

**U.S. PATENT DOCUMENTS**

FIG. 3 is a front view thereof;

D. 293,683 1/1988 Mizushima et al. .... D15/15

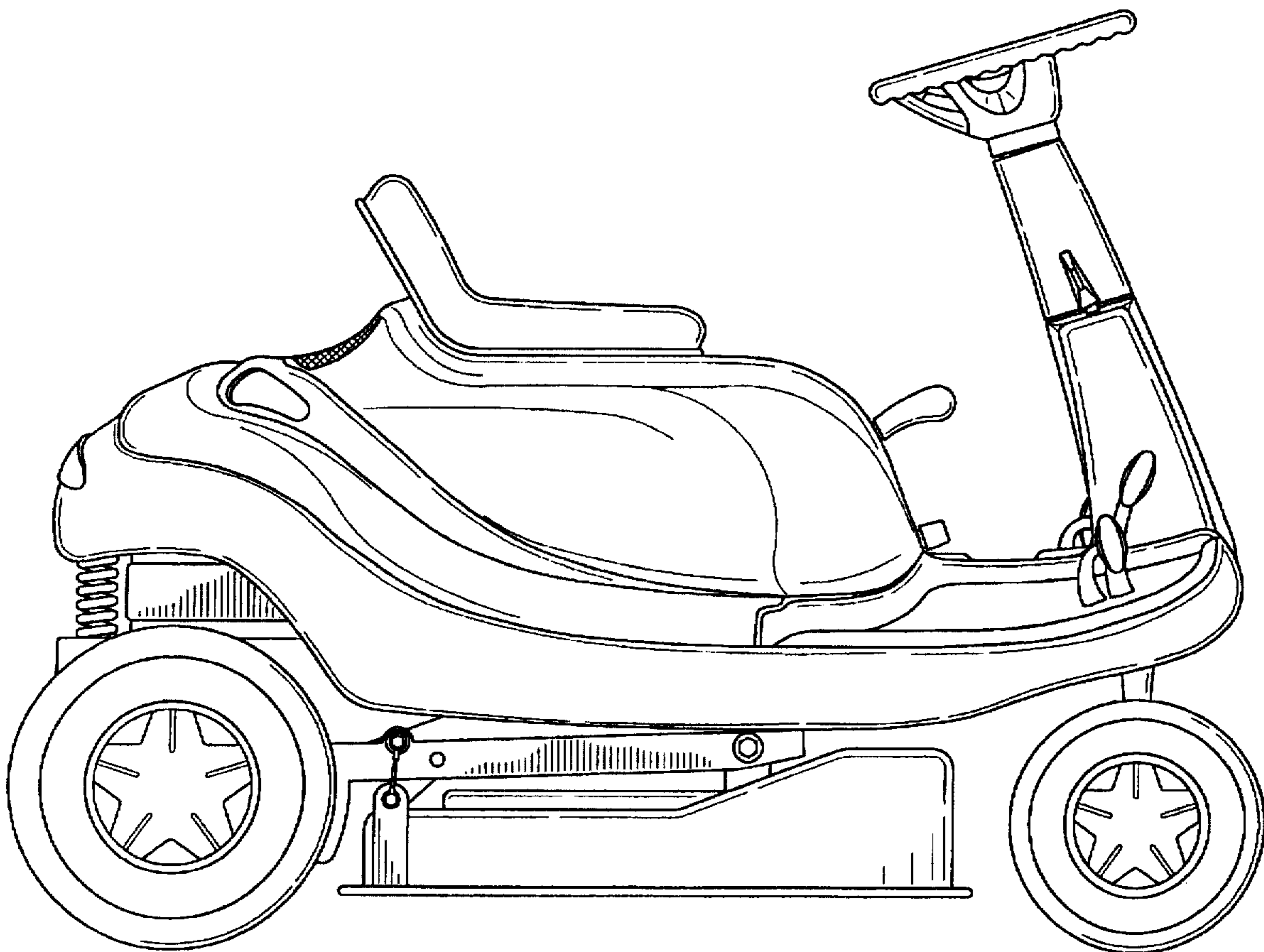
FIG. 4 is a rear view thereof; and,

D. 340,459 10/1993 Kawakita et al. .... D15/15

FIG. 5 is a top plan view thereof.

D. 356,582 3/1995 Weber .... D15/15

**1 Claim, 4 Drawing Sheets**



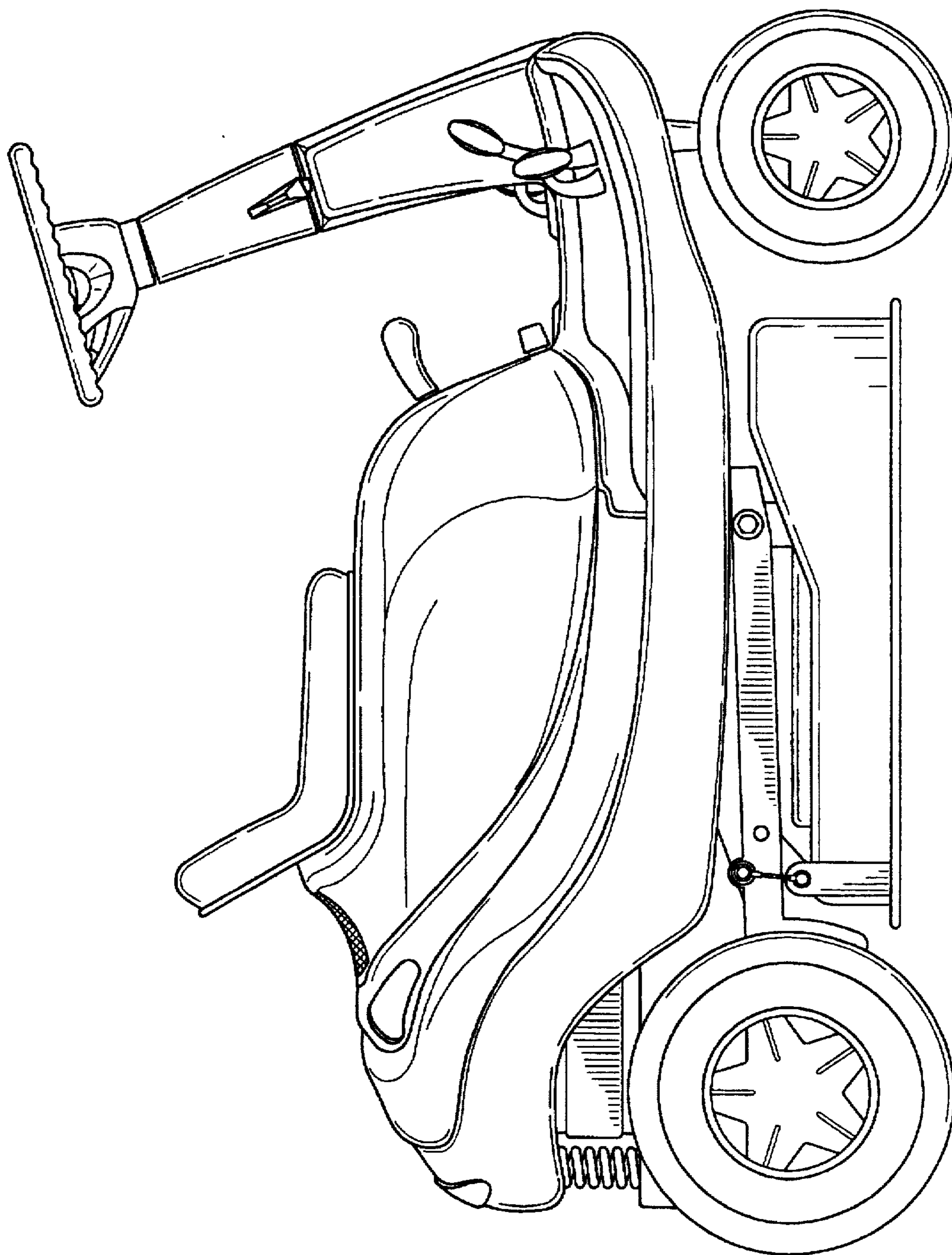


FIG-1

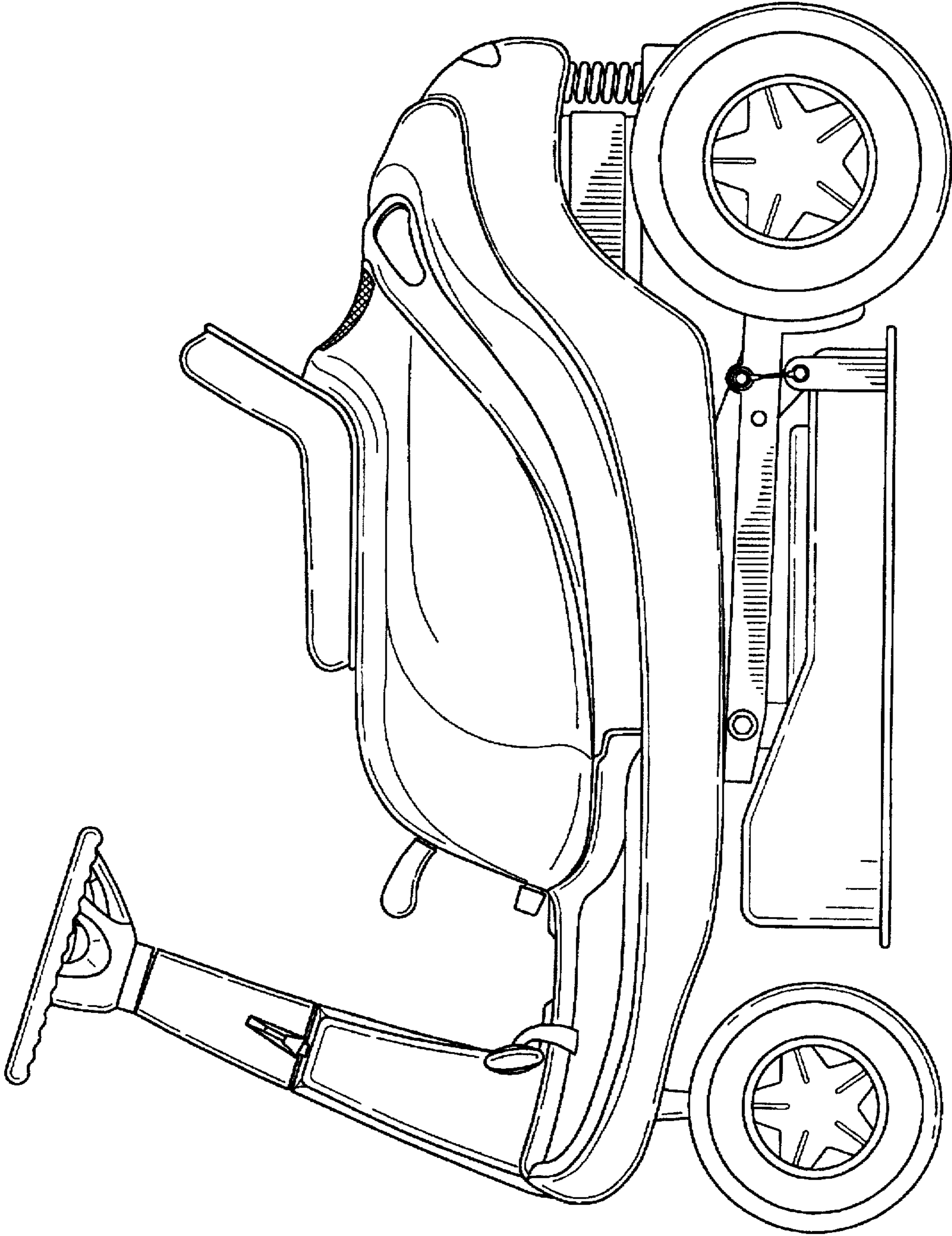


FIG-2

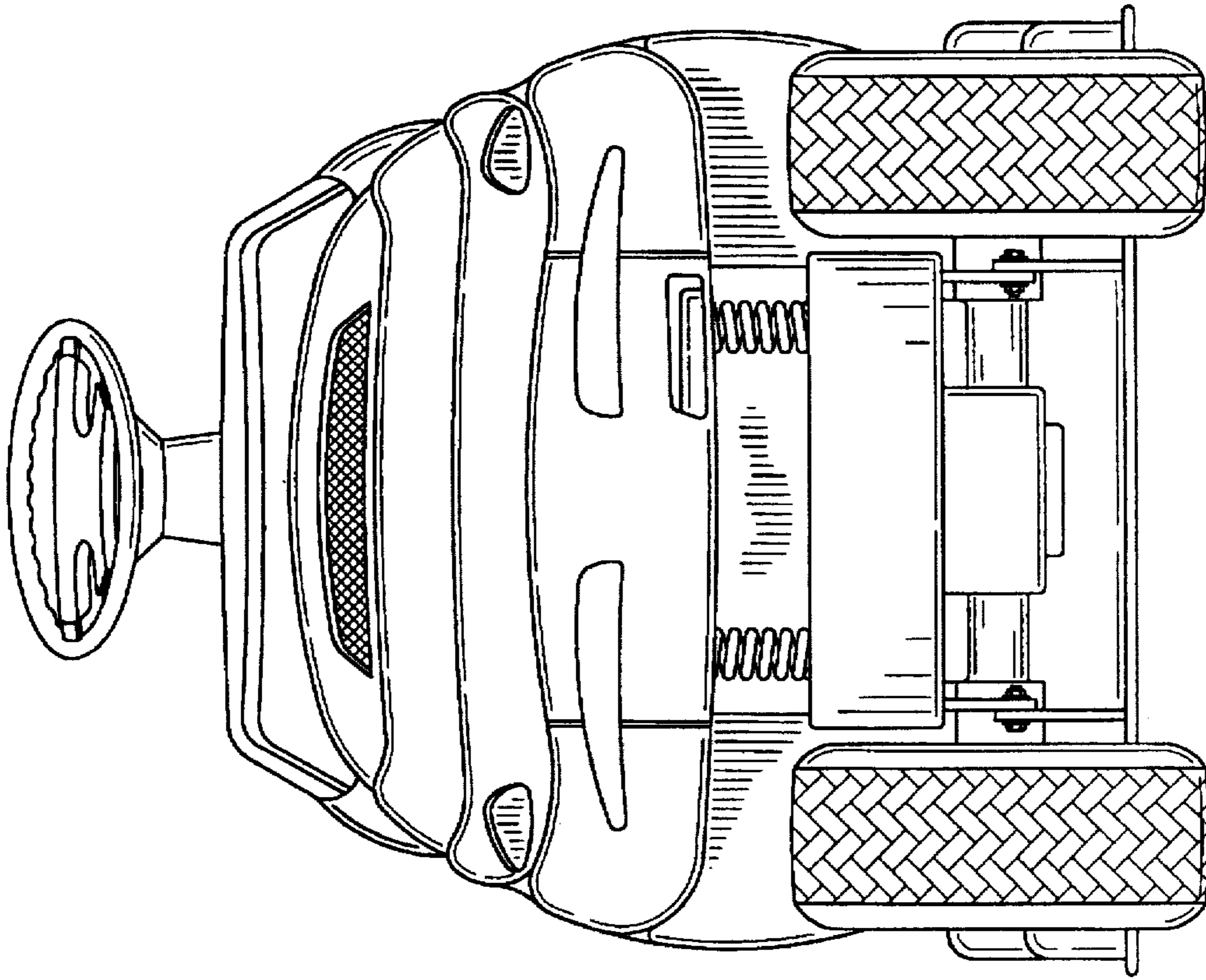


FIG-4

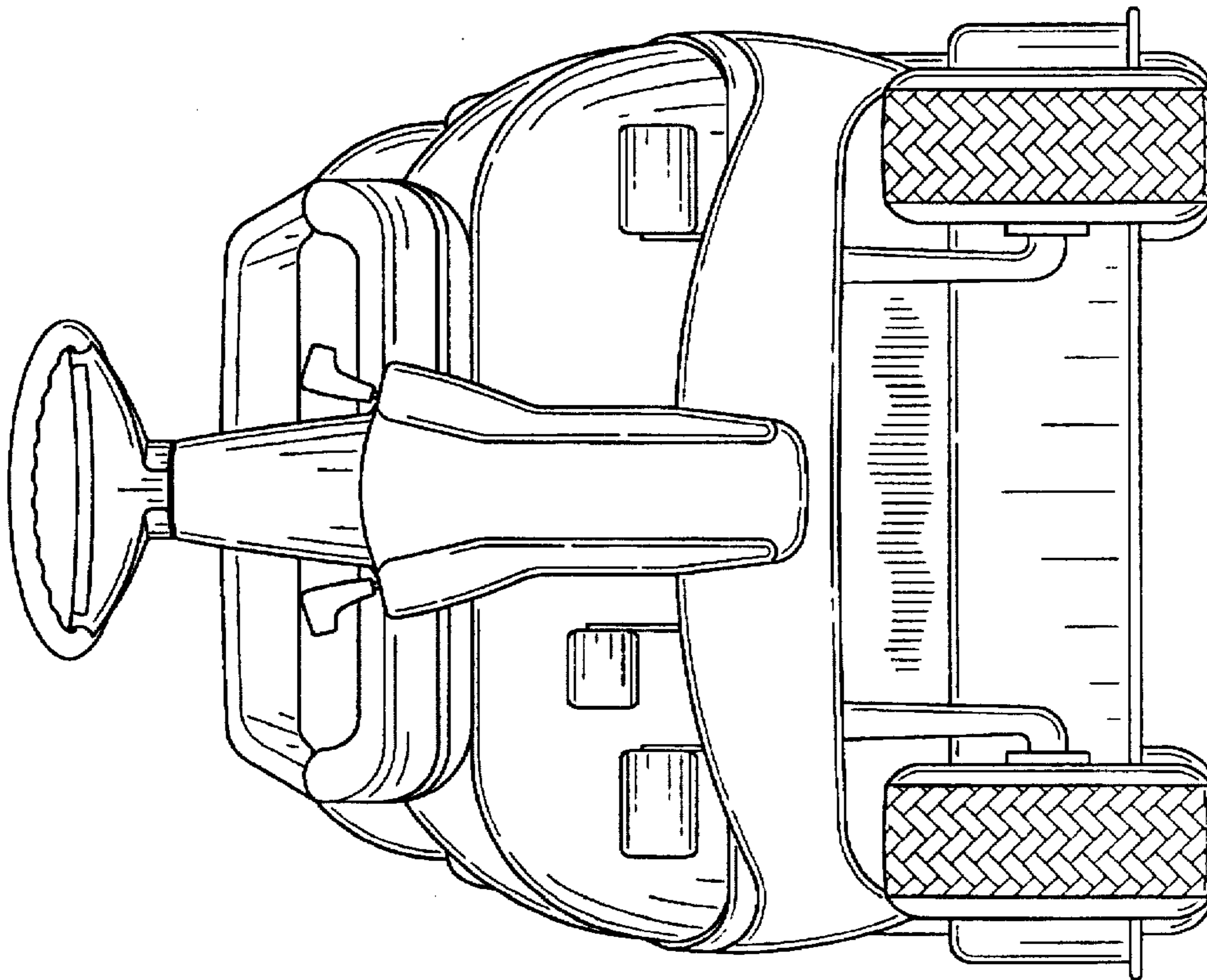


FIG-3

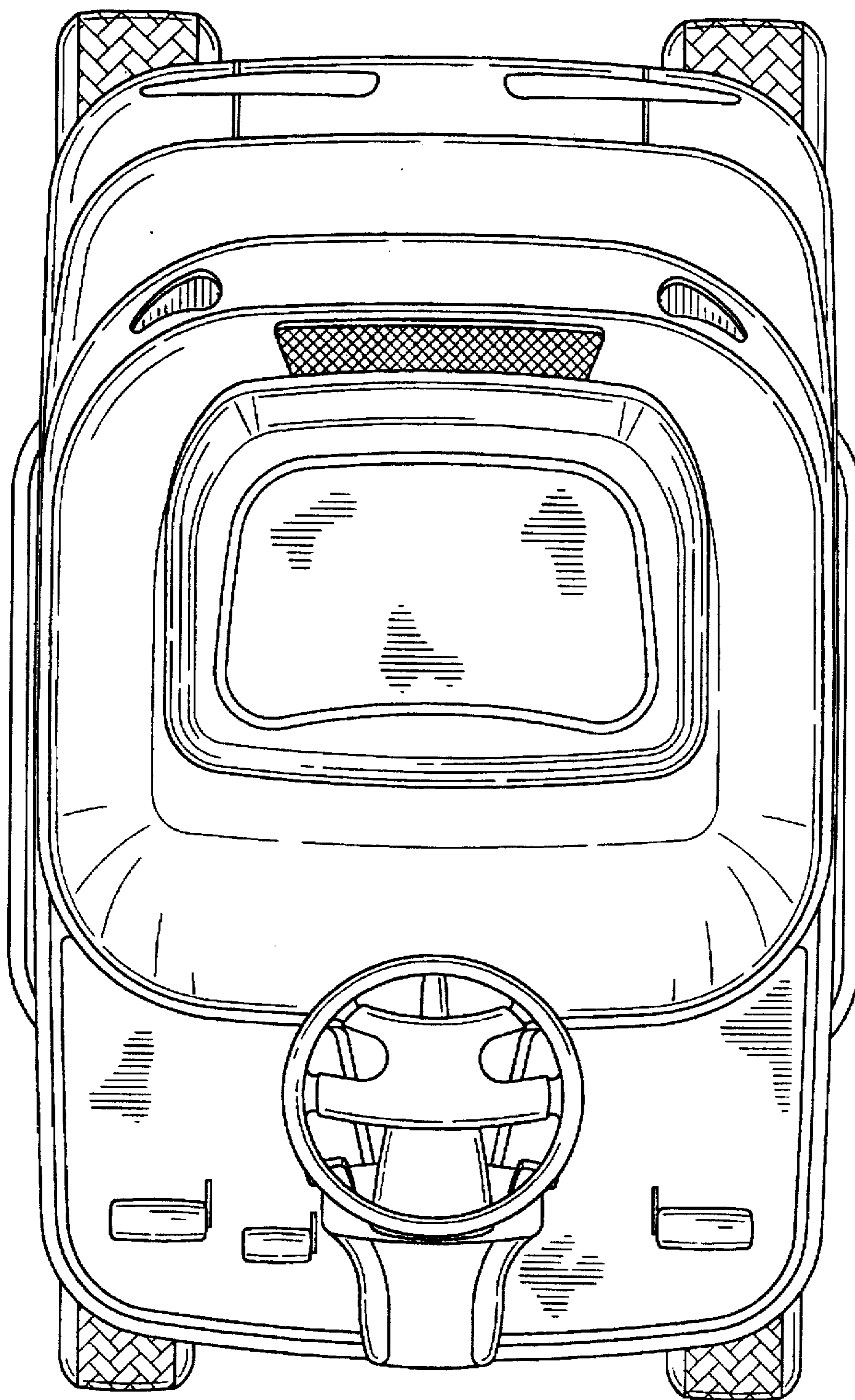


FIG-5