

US00D387355S

United States Patent [19]

Shinkawa et al.

[11] Patent Number: **Des. 387,355**

[45] Date of Patent: ****Dec. 9, 1997**

[54] ANTENNA ASSEMBLY

4,742,360 5/1988 Carolus et al. 343/903
5,235,344 8/1993 Shinkawa et al. 343/903

[75] Inventors: **Masaki Shinkawa; Ryouichi Miyakawa**, both of Tokyo, Japan

Primary Examiner—Dominic Simone
Attorney, Agent, or Firm—Trademark & Patent Counselors of America, P.C.

[73] Assignee: **Harada Industry Co., Ltd.**, Tokyo, Japan

[57] CLAIM

[**] Term: **14 Years**

The ornamental design for an antenna assembly, as shown.

[21] Appl. No.: **44,169**

DESCRIPTION

[22] Filed: **Sep. 19, 1995**

FIG. 1 is a front view in perspective of the antenna assembly of the present invention with the antenna element thereof retracted;

[30] Foreign Application Priority Data

Mar. 20, 1995 [JP] Japan 7-7248

FIG. 2 is a rear view in perspective of the antenna assembly of FIG. 1;

[51] LOC (6) Cl. **14-03**

[52] U.S. Cl. **D14/230**

FIG. 3 is a front view in elevation of the antenna assembly of FIG. 1 with the antenna element in an extended position;

[58] Field of Search D14/230, 234, D14/237; 343/700 R, 711, 714, 715, 901-903; 242/390.2

FIG. 4 is a front view in elevation of the antenna assembly of FIG. 1;

[56] References Cited

U.S. PATENT DOCUMENTS

D. 294,026	2/1988	Shinkawa	D14/86
D. 333,138	2/1993	Egashiwa et al.	D14/230
D. 333,469	2/1993	Tezuka	D14/230
D. 333,660	3/1993	Miyakawa	D14/230
D. 336,649	6/1993	Harada	D14/230
D. 338,205	8/1993	Egashira et al.	D14/230
4,393,383	7/1983	Yamashita	343/903
4,721,965	1/1988	Elliott	343/715

FIG. 5 is a rear view in elevation of the antenna assembly of FIG. 1;

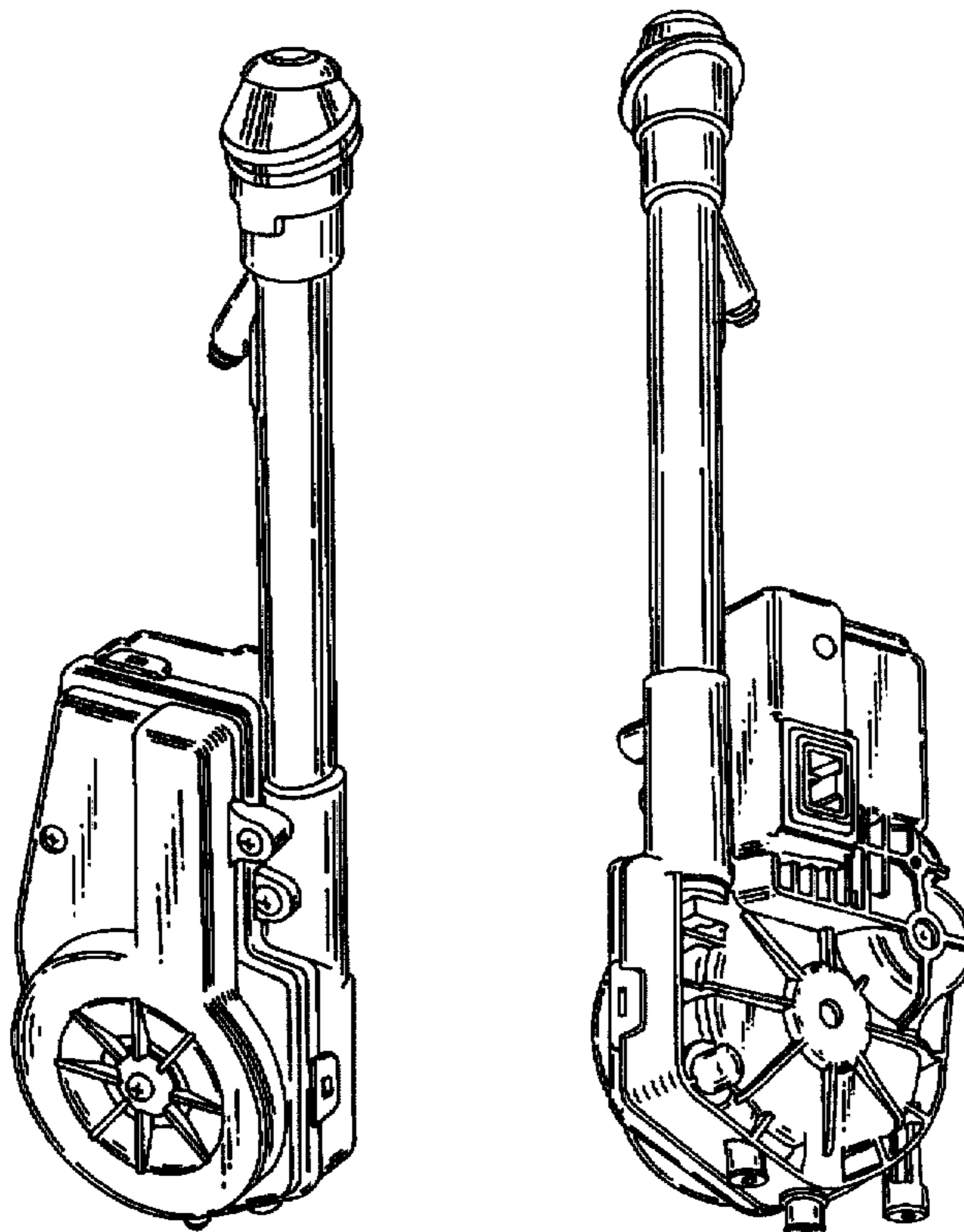
FIG. 6 is a right side view in elevation of the antenna assembly of FIG. 1;

FIG. 7 is a left side view in elevation of the antenna assembly of FIG. 1;

FIG. 8 is a top plan view of the antenna assembly of FIG. 1; and,

FIG. 9 is a bottom plan view of the antenna assembly of FIG. 1.

1 Claim, 2 Drawing Sheets



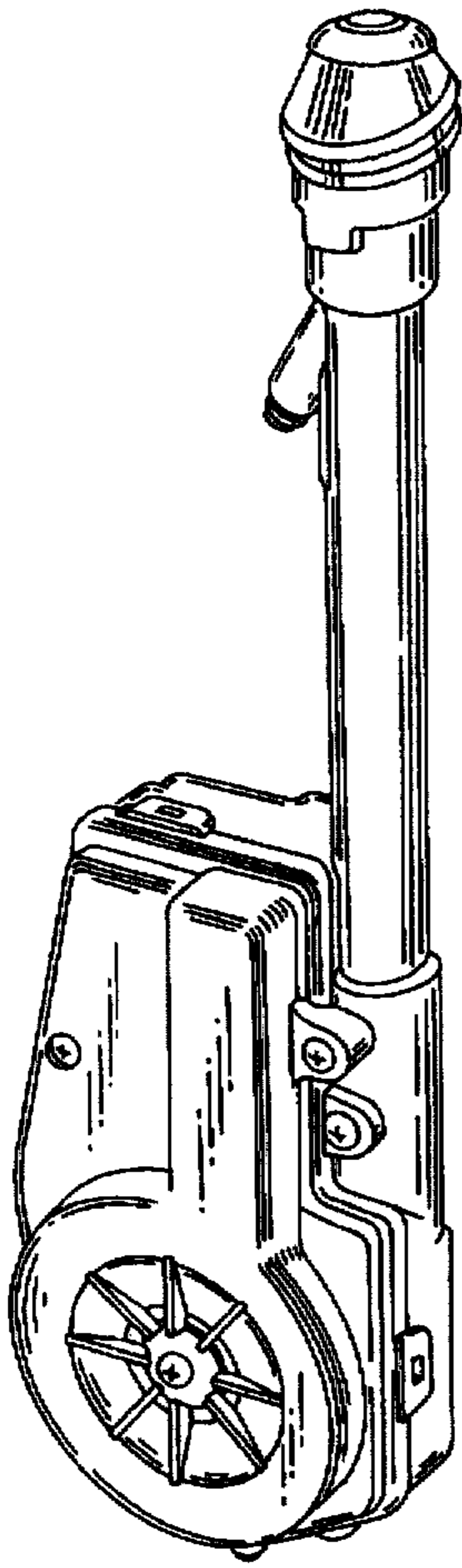


FIG. 1

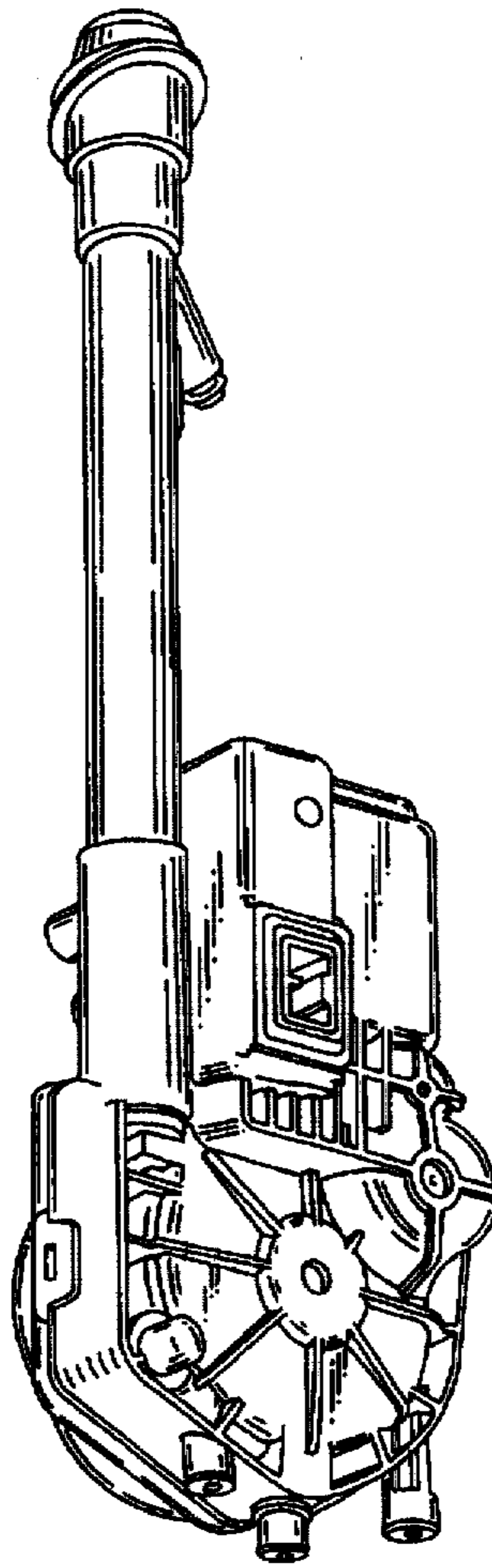


FIG. 2

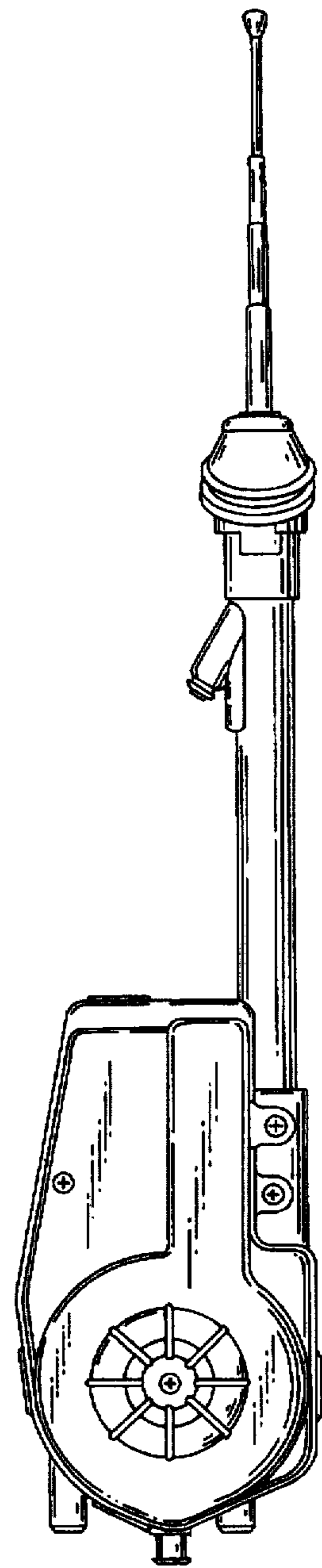


FIG. 3

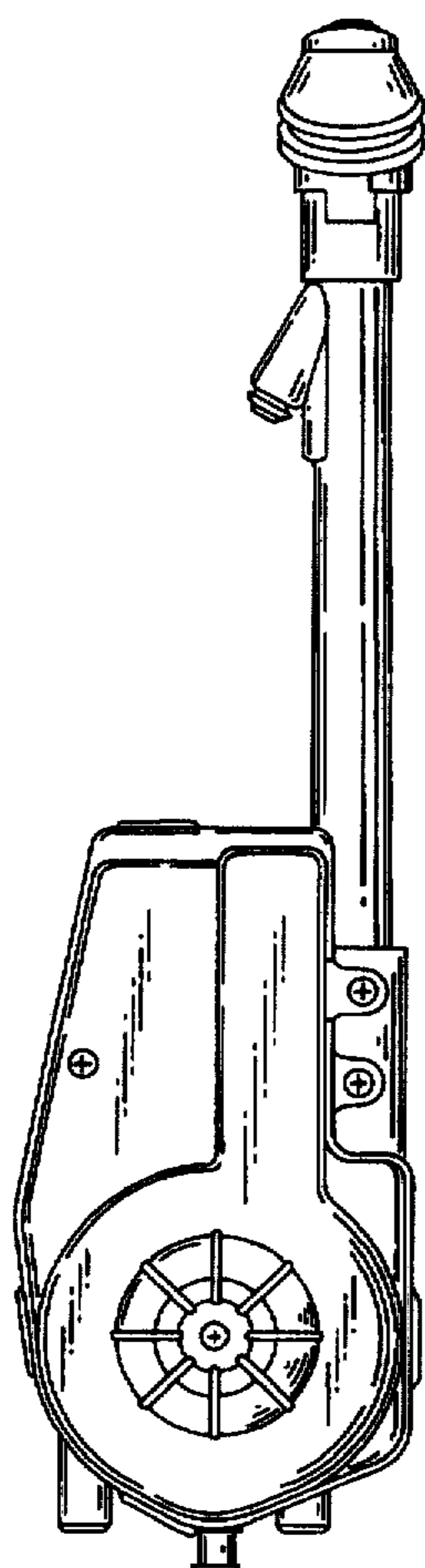


FIG. 4

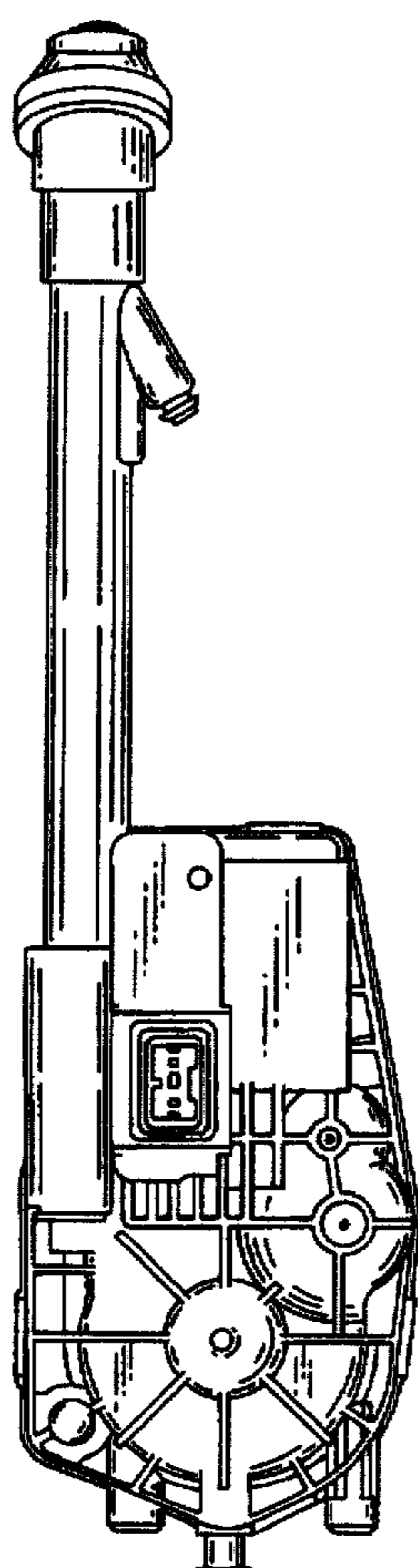


FIG. 5

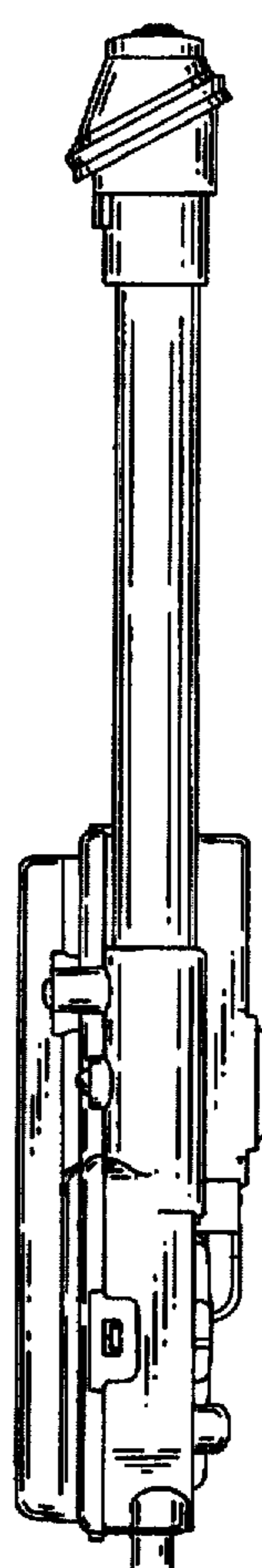


FIG. 6

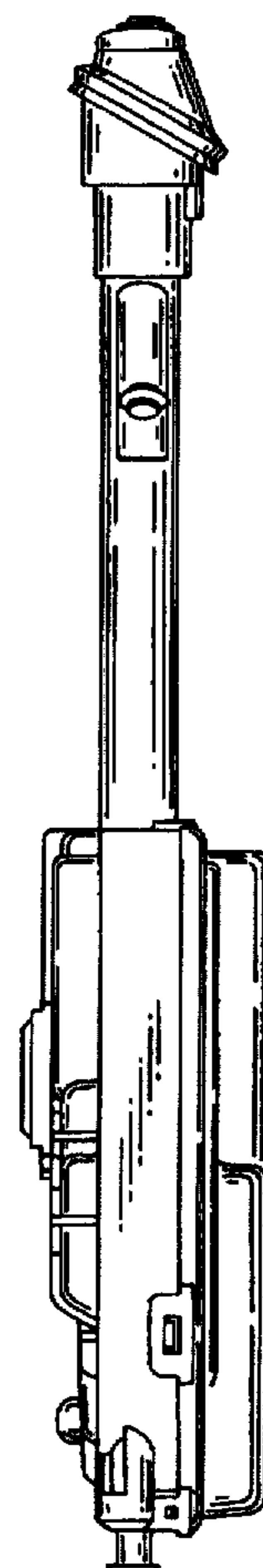


FIG. 7

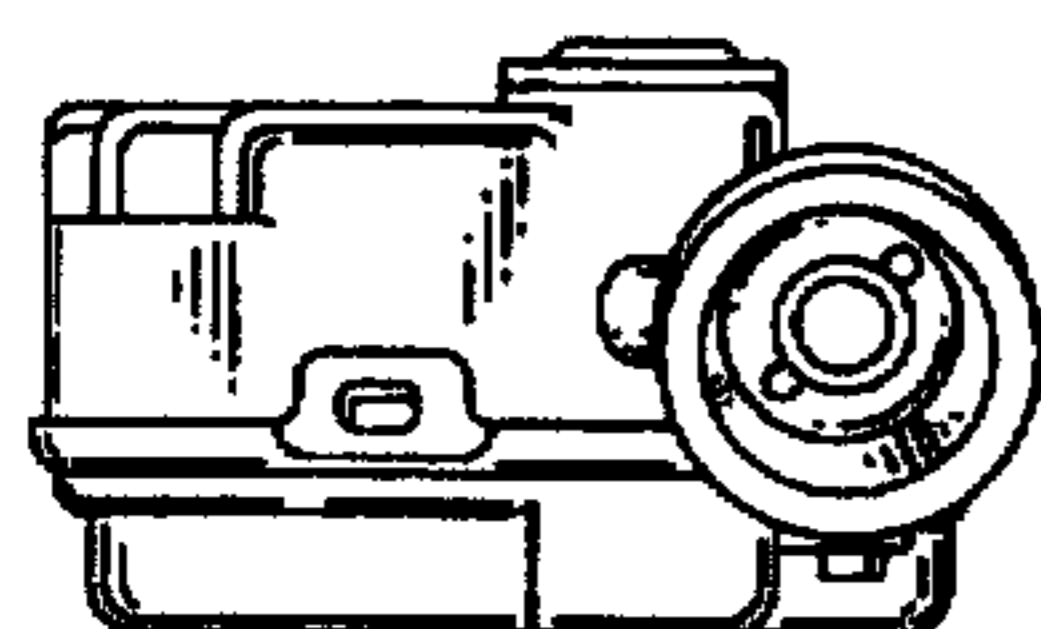


FIG. 8

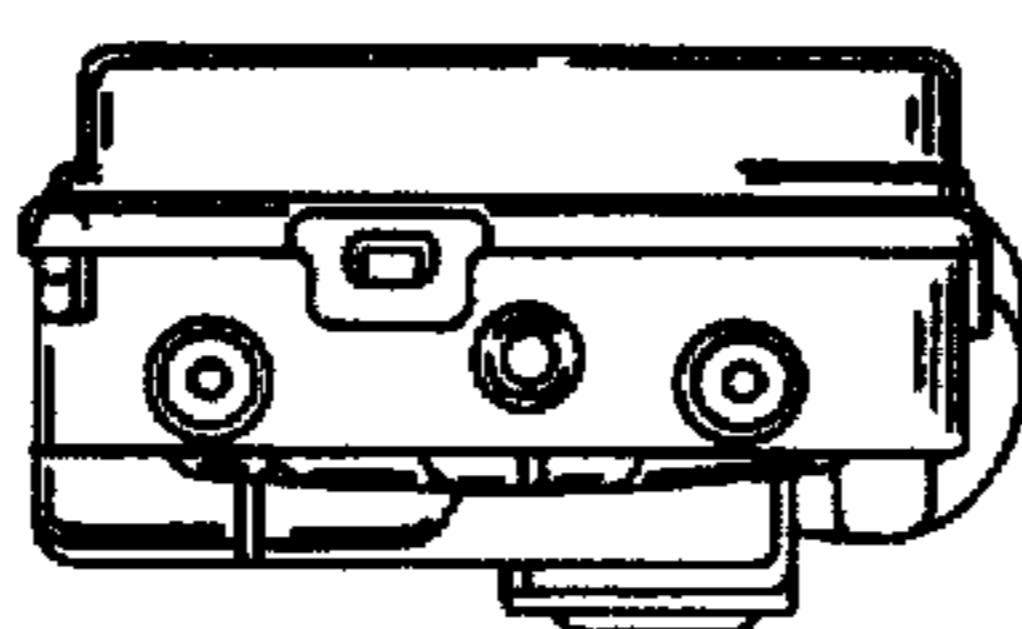


FIG. 9