

US00D387348S

United States Patent [19]

[11] Patent Number: **Des. 387,348**

Lam et al.

[45] Date of Patent: ****Dec. 9, 1997**

[54] **COMBINED RADIO, FLUORESCENT LAMP AND REMOVABLE TORCH**

D. 354,054 1/1995 Shitama D14/168 X
D. 357,760 4/1995 Osiecki et al. D26/49

[76] Inventors: **Wai Ping Grace Lam; Ping Kuen Mak**, both of Flat 13A, 14/F., Blk. A, Veristrong Industrial Center, 34-36 Au Pui Wan Street, Fo Tan, New Territories, Hong Kong

Primary Examiner—Sandra L. Morris
Assistant Examiner—Nanda Bondade
Attorney, Agent, or Firm—Blakely Sokoloff Taylor & Zafman

[**] Term: **14 Years**

[57] **CLAIM**

[21] Appl. No.: **52,556**

The ornamental design for combined radio, fluorescent lamp and removable torch, as shown and described.

[22] Filed: **Apr. 3, 1996**

DESCRIPTION

[30] **Foreign Application Priority Data**

Dec. 14, 1995 [GB] United Kingdom 2052664

[51] **LOC (6) Cl.** **14-01**

[52] **U.S. Cl.** **D14/168; D26/38; D26/42**

[58] **Field of Search** D14/168, 188, D14/193-198; D26/38, 42, 45, 48-50; 455/344, 347, 350, 351

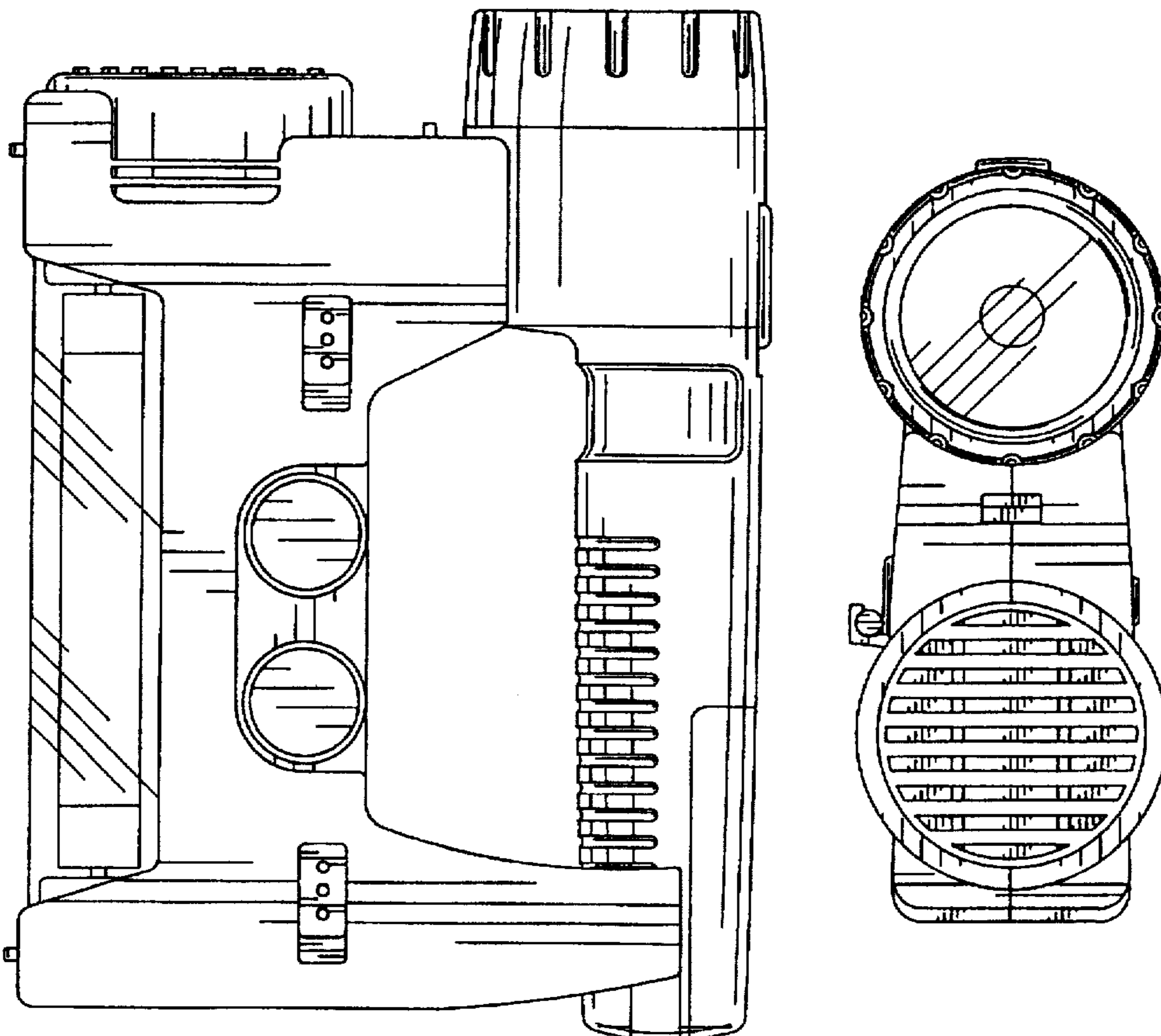
FIG. 1 is a left side elevation view of the combined radio, fluorescent lamp and removable torch;
FIG. 2 is a right side elevation view of the combined radio, fluorescent lamp and removable torch;
FIG. 3 is a rear elevation view thereof;
FIG. 4 is a front elevation view thereof;
FIG. 5 is a bottom plan view thereof;
FIG. 6 is a top plan view thereof;
FIG. 7 is a top plan view thereof, the removable torch component shown separately for clarity of illustration;
FIG. 8 is a bottom plan view of FIG. 7;
FIG. 9 is a left side elevation view of FIG. 7;
FIG. 10 is a right side elevation view of FIG. 7;
FIG. 11 is a rear elevation view of FIG. 7; and,
FIG. 12 is a front elevation view of FIG. 7.

[56] **References Cited**

U.S. PATENT DOCUMENTS

- D. 290,518 6/1987 Rakocy et al. D26/48
- D. 307,058 4/1990 Yuen D26/38
- D. 325,788 4/1992 Yuen D26/49
- D. 344,152 2/1994 Yuen D14/168 X

1 Claim, 6 Drawing Sheets



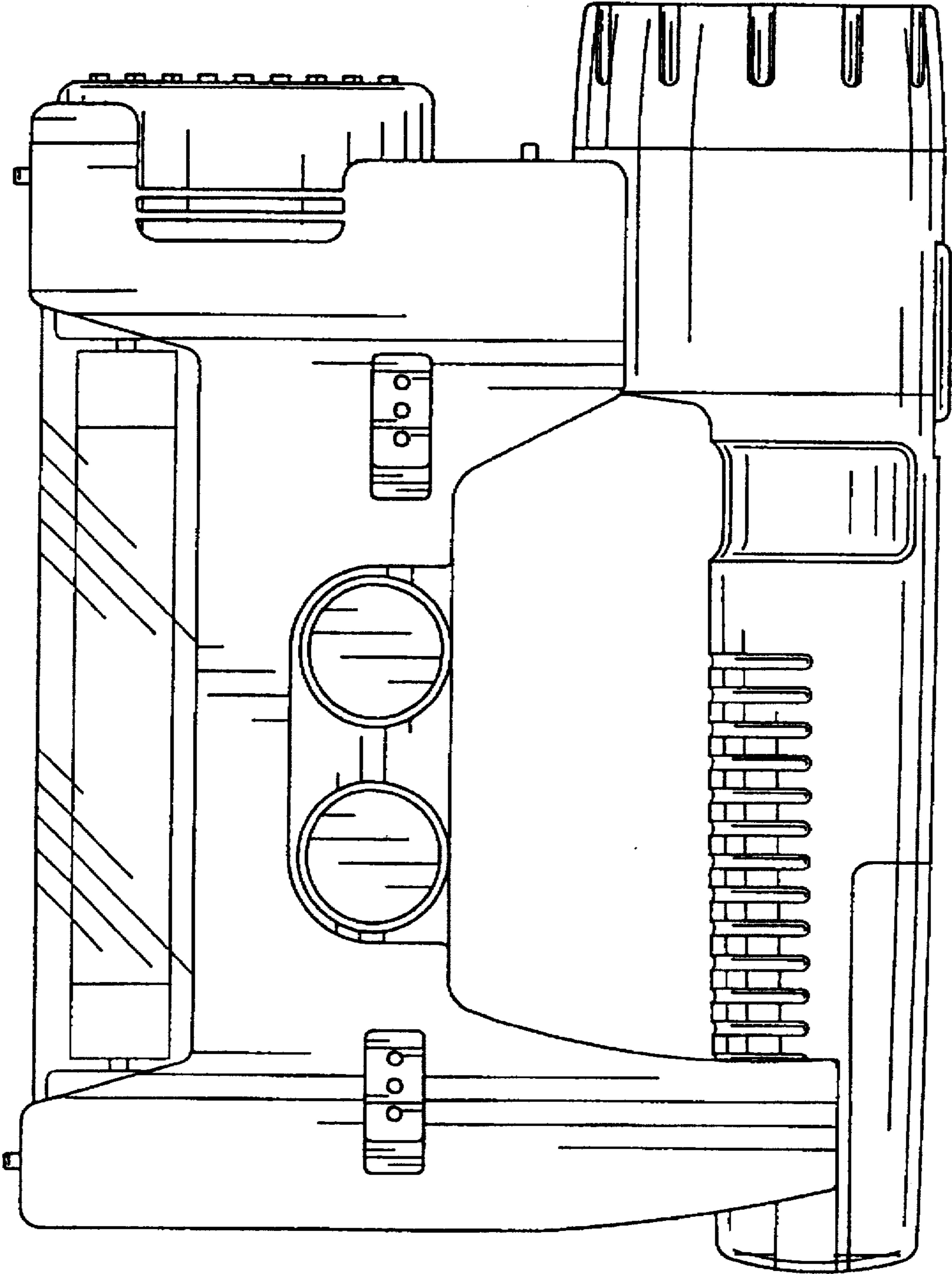


FIG. 1

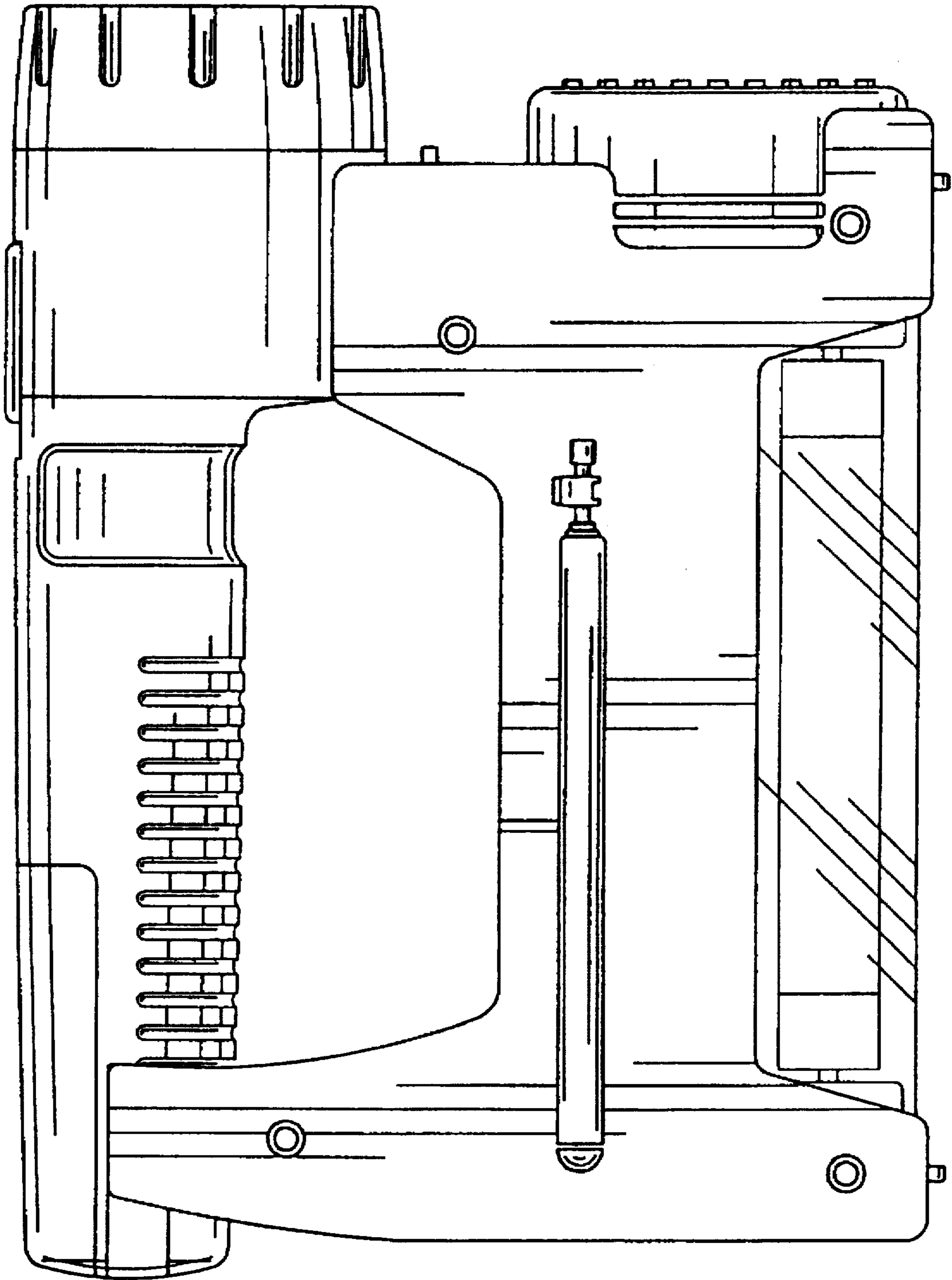


FIG. 2

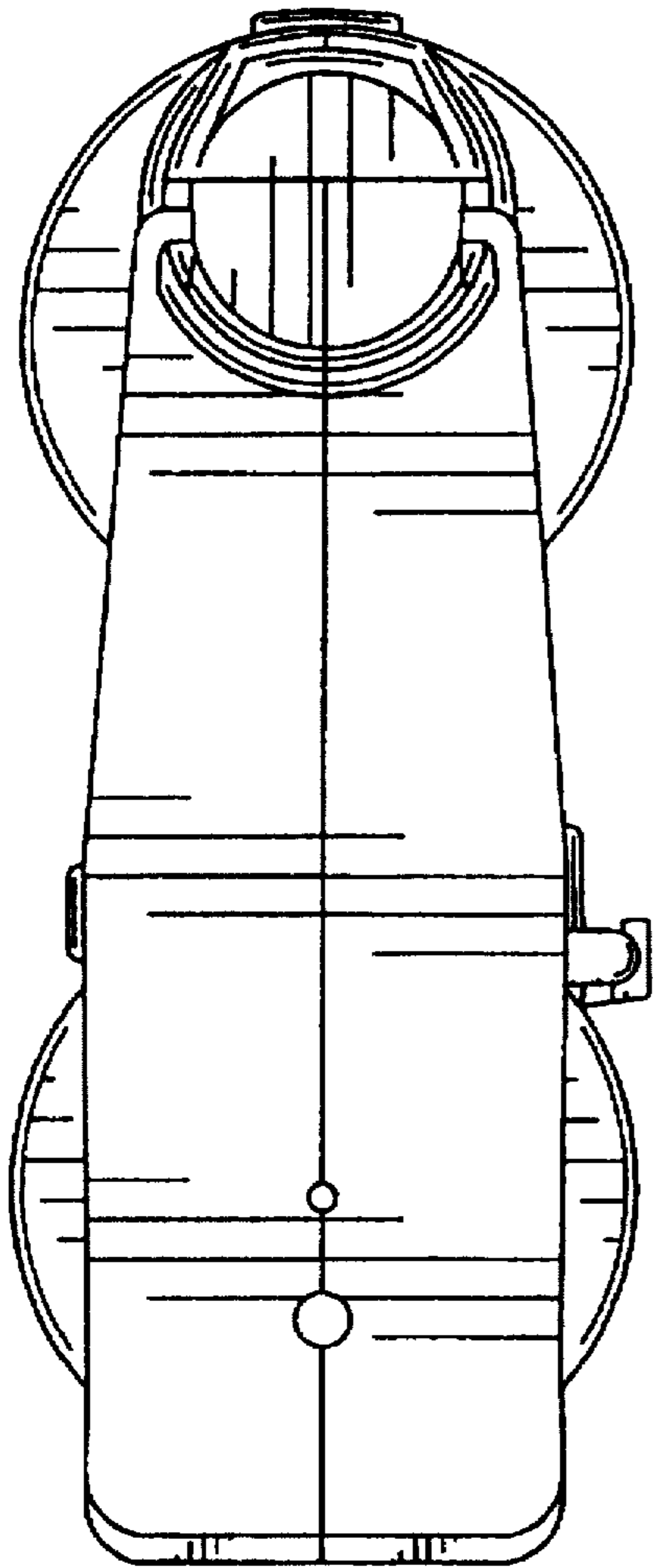


FIG. 3

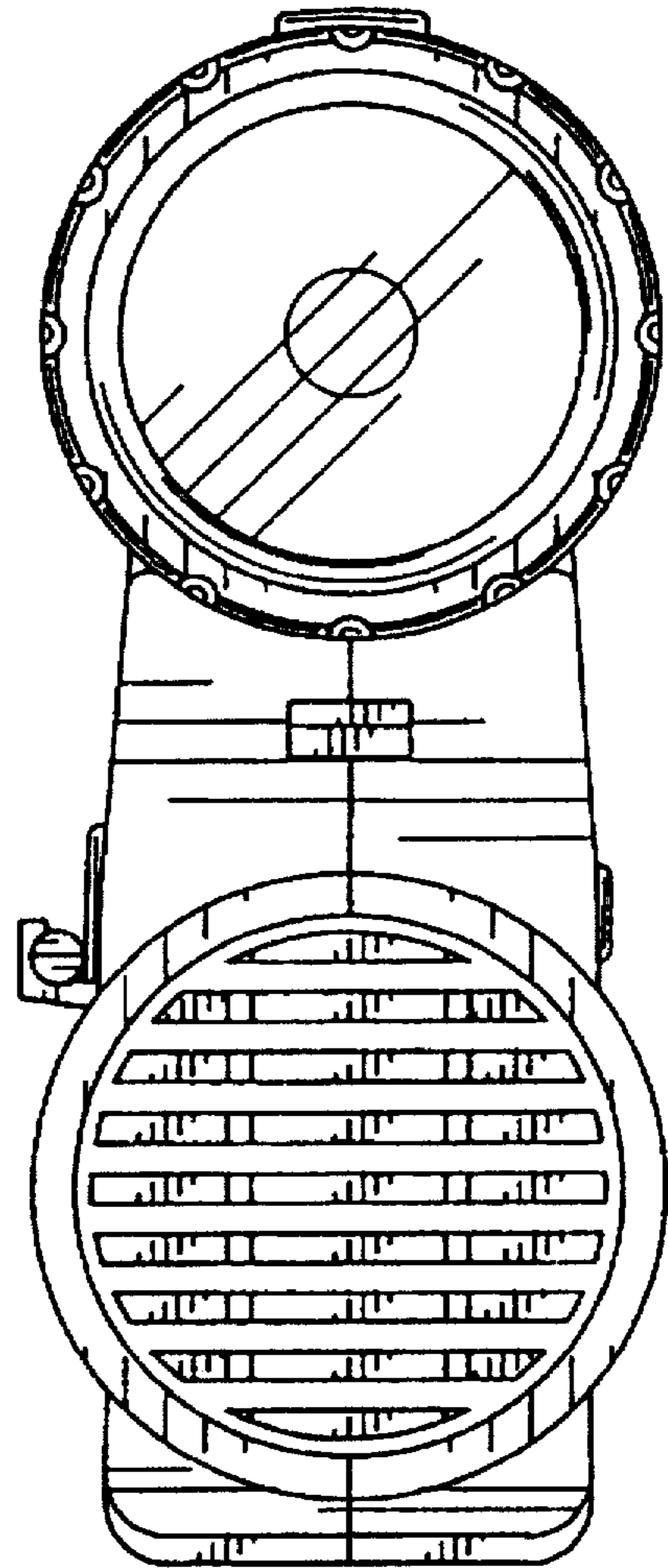


FIG. 4

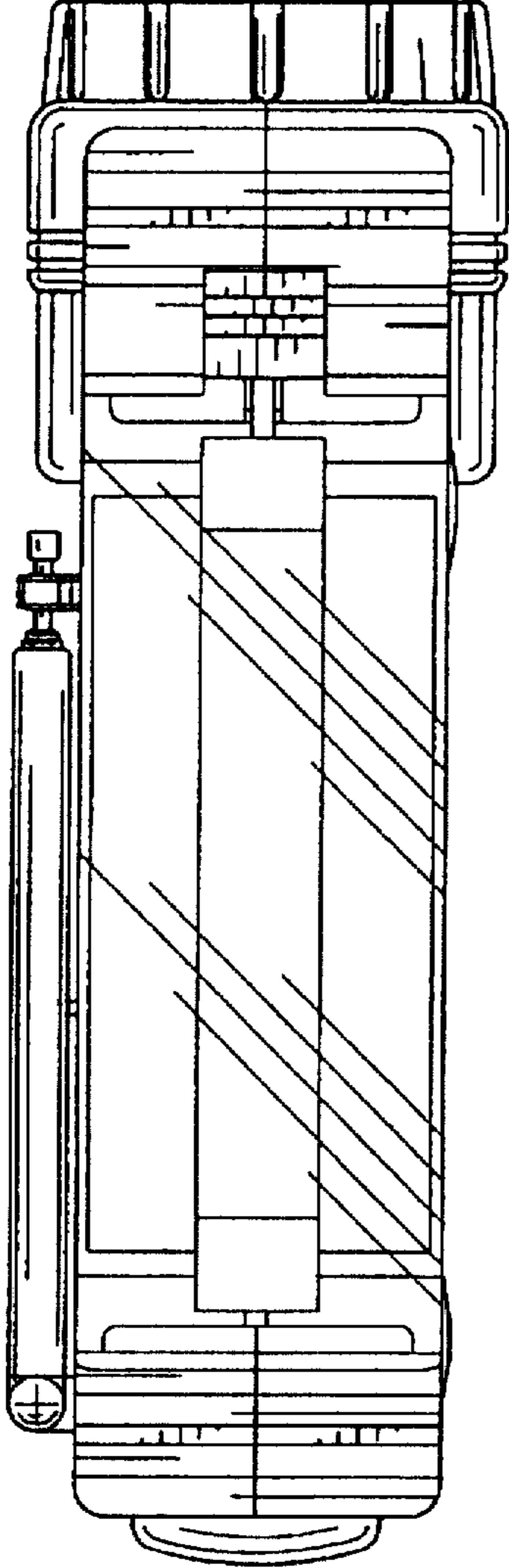


FIG. 5

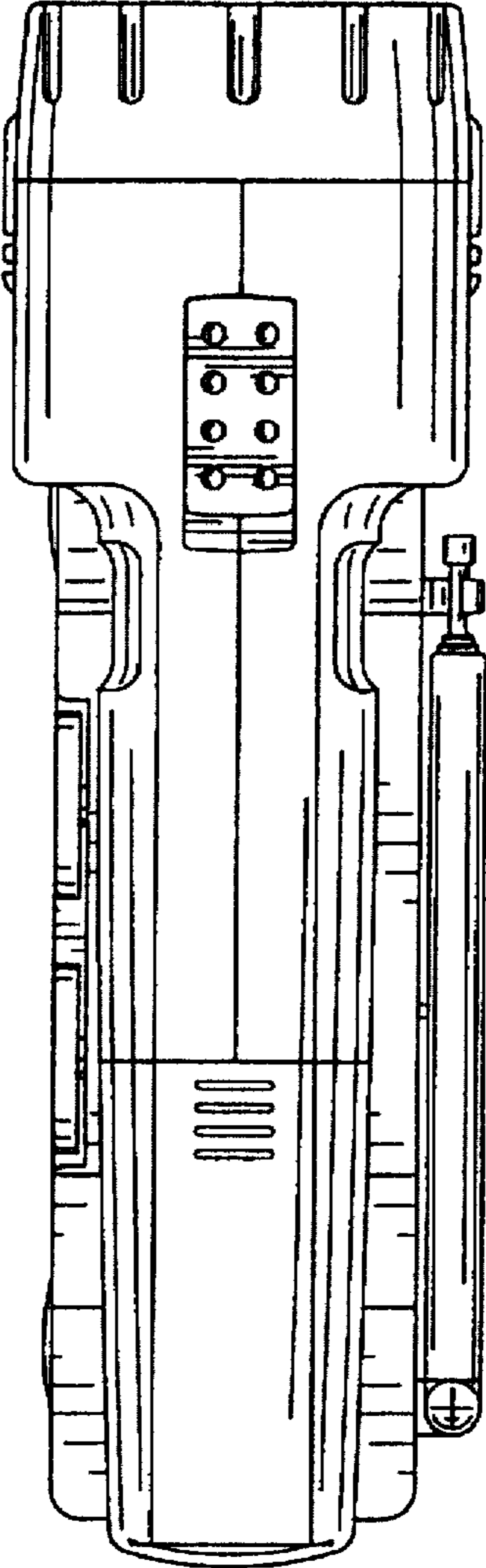


FIG. 6

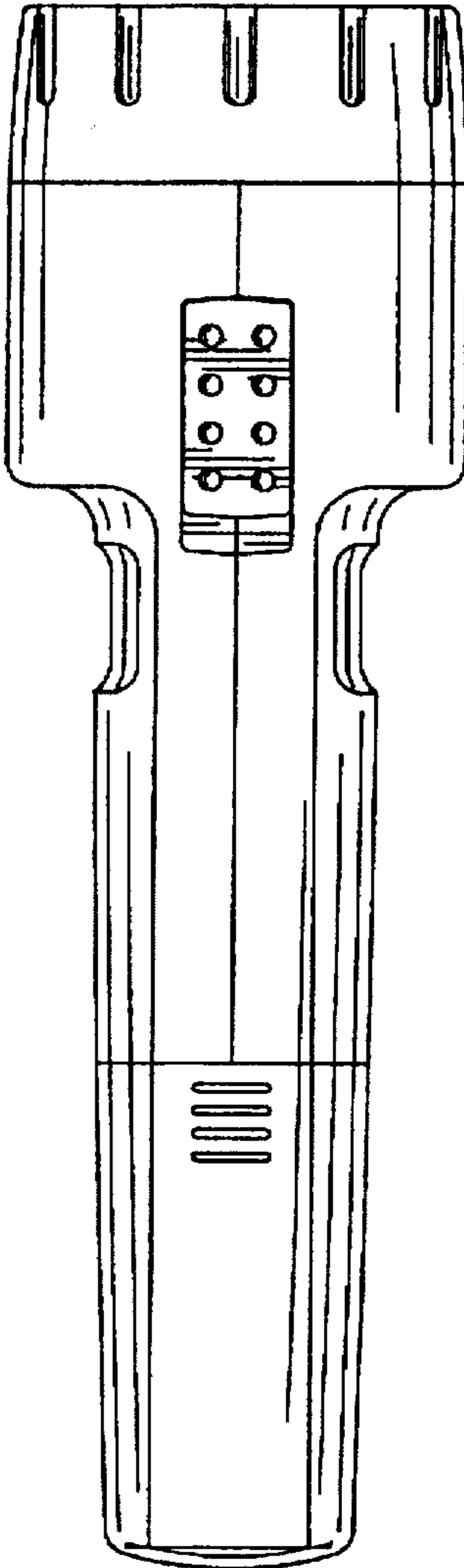


FIG. 7

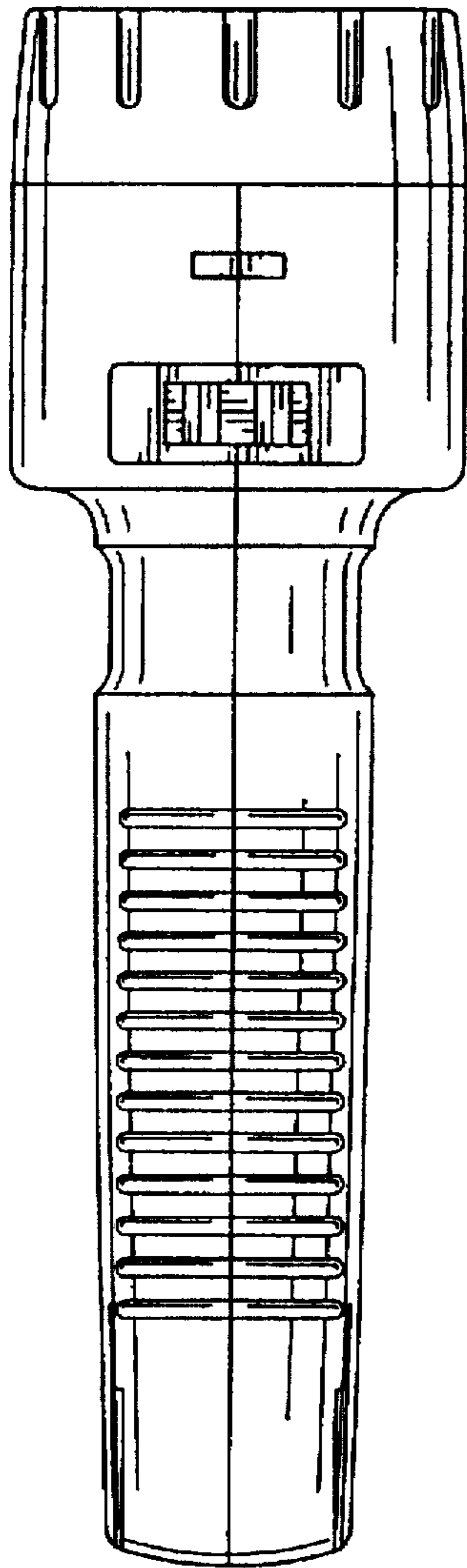


FIG. 8

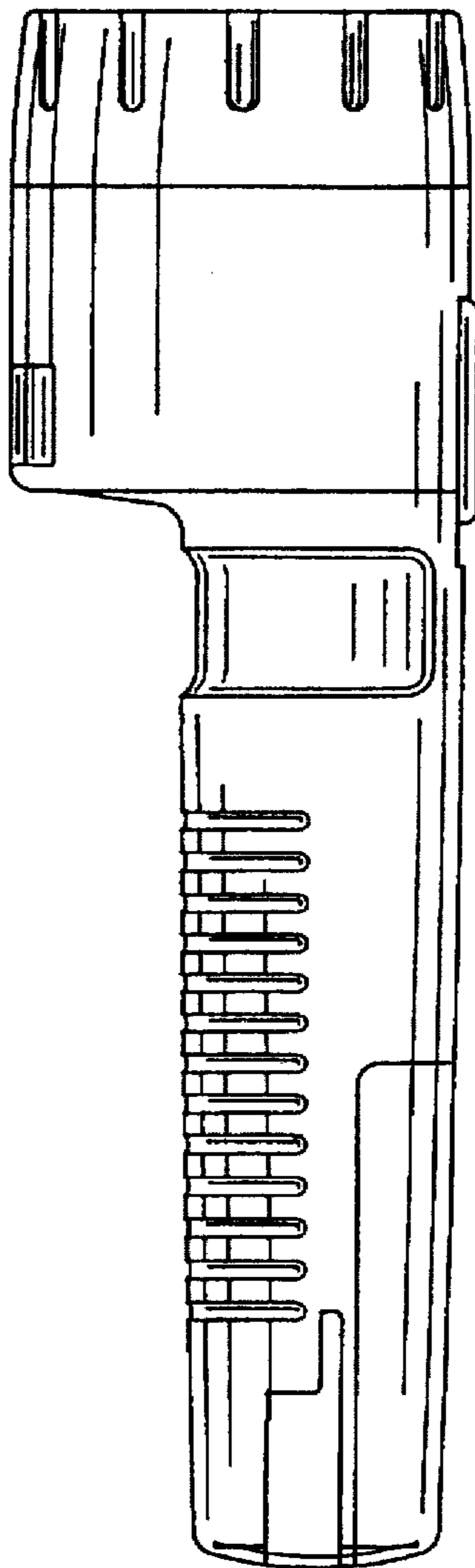


FIG. 9

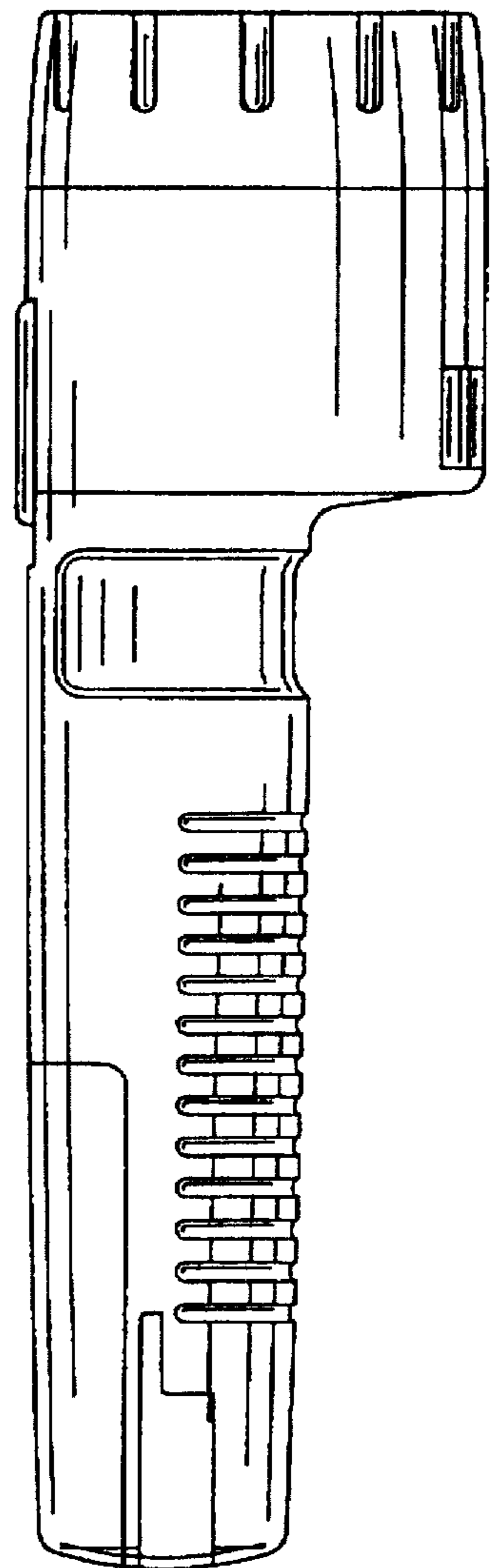


FIG. 10

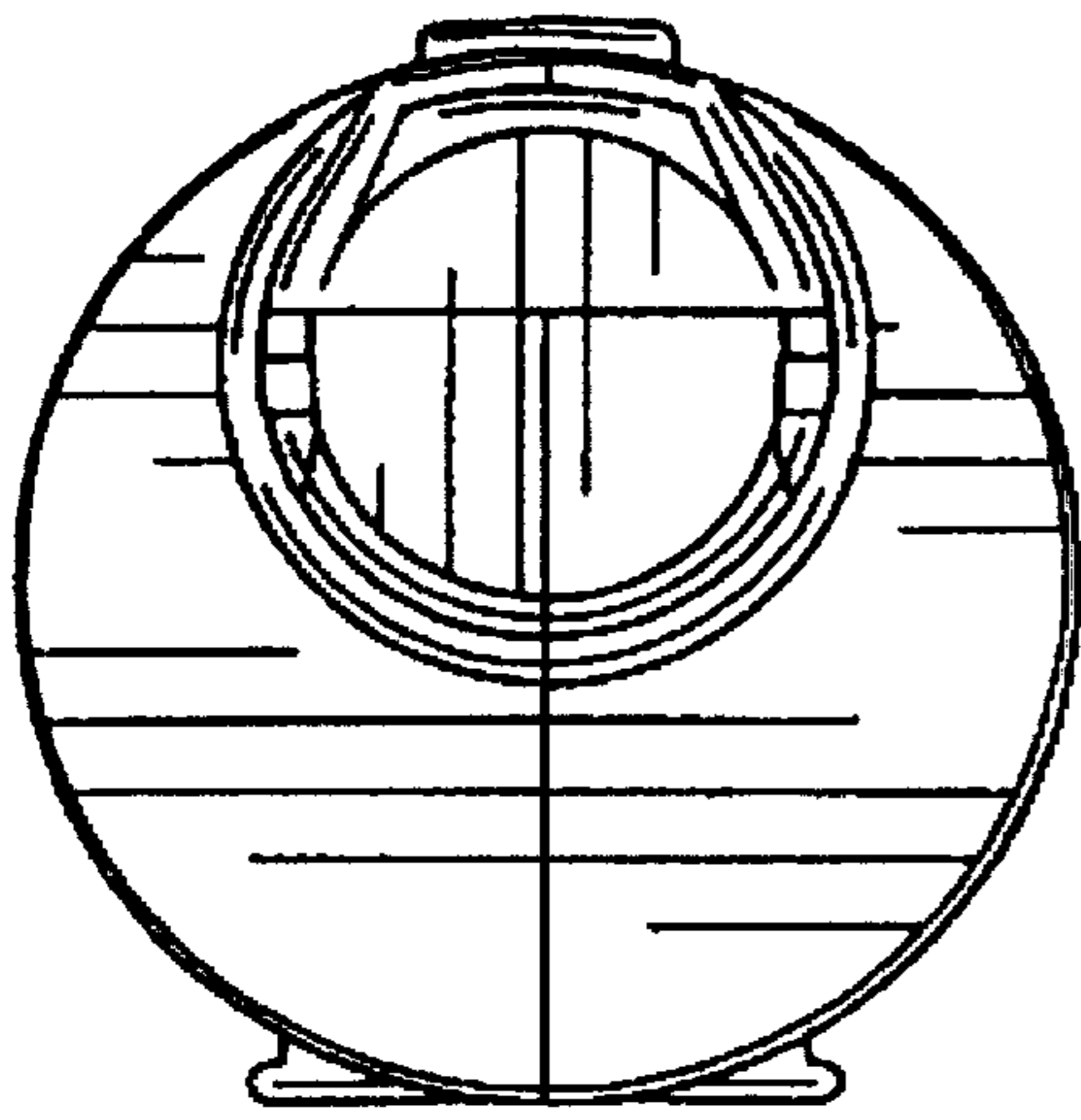


FIG. 11

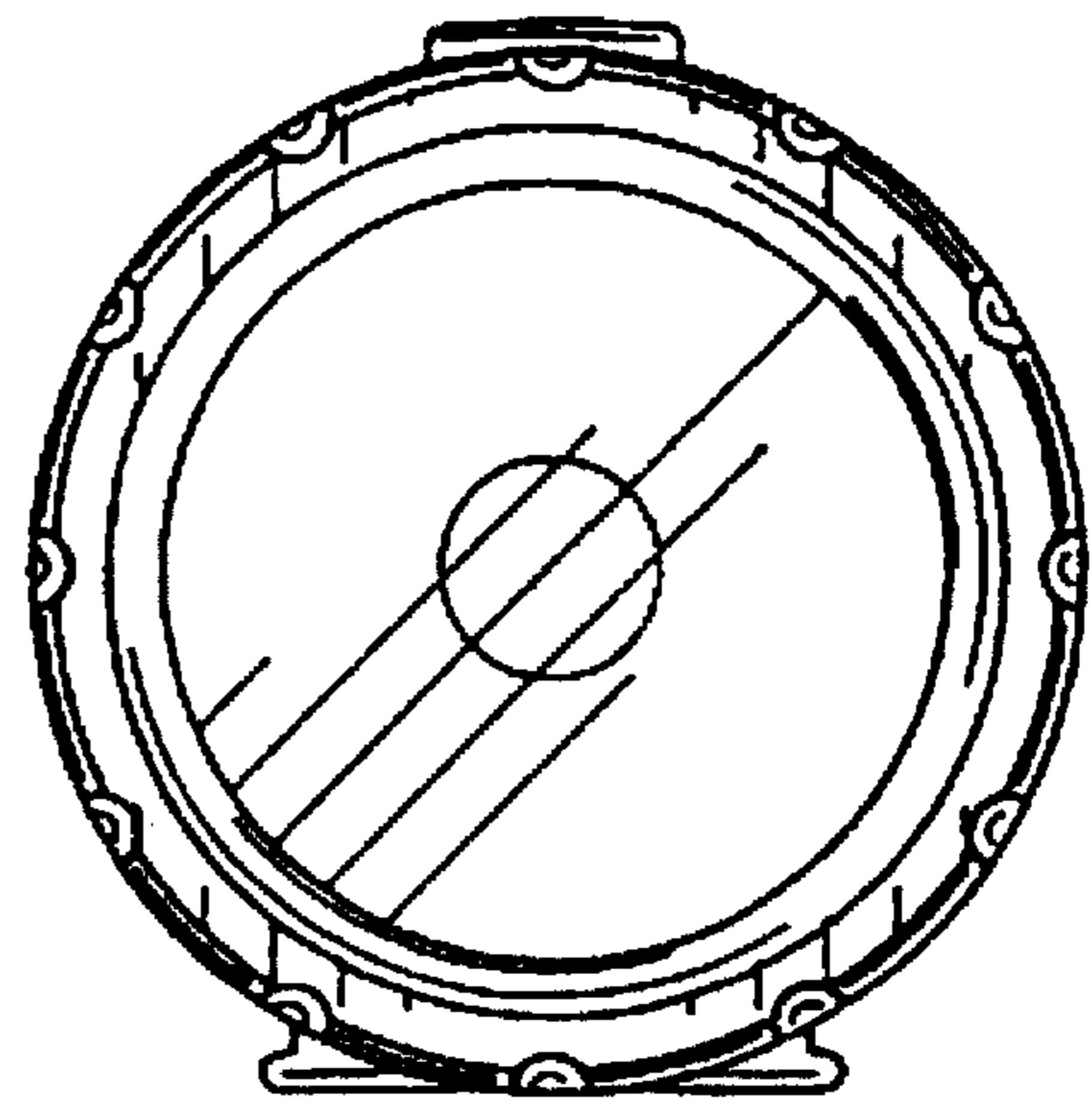


FIG. 12