

US00D387345S

**United States Patent** [19]  
**Rosen**

[11] **Patent Number:** **Des. 387,345**  
[45] **Date of Patent:** **\*\*Dec. 9, 1997**

[54] **STOWABLE MONITOR MOUNT**

5,222,780 6/1993 Reh et al. .  
5,271,590 12/1993 Rosen .

[76] **Inventor:** **John B. Rosen**, 87580 Cherry Ridge Rd., Eugene, Oreg. 97402

*Primary Examiner*—Prabhakar G. Deshmukh  
*Assistant Examiner*—Richelle Shelton  
*Attorney, Agent, or Firm*—Kolisch, Hartwell, Dickinson, McCormack & Heuser

[\*\*] **Term:** **14 Years**

[21] **Appl. No.:** **62,409**

[57] **CLAIM**

[22] **Filed:** **Nov. 14, 1996**

The ornamental design for a stowable monitor mount, as shown and described.

[51] **LOC (6) Cl.** ..... **14-03**

[52] **U.S. Cl.** ..... **D14/132; D14/126**

[58] **Field of Search** ..... **D14/113, 124-134; D12/345, 421; D24/158; 312/7.2; 348/827, 857; 248/917-924; 297/188.16, 217.3**

**DESCRIPTION**

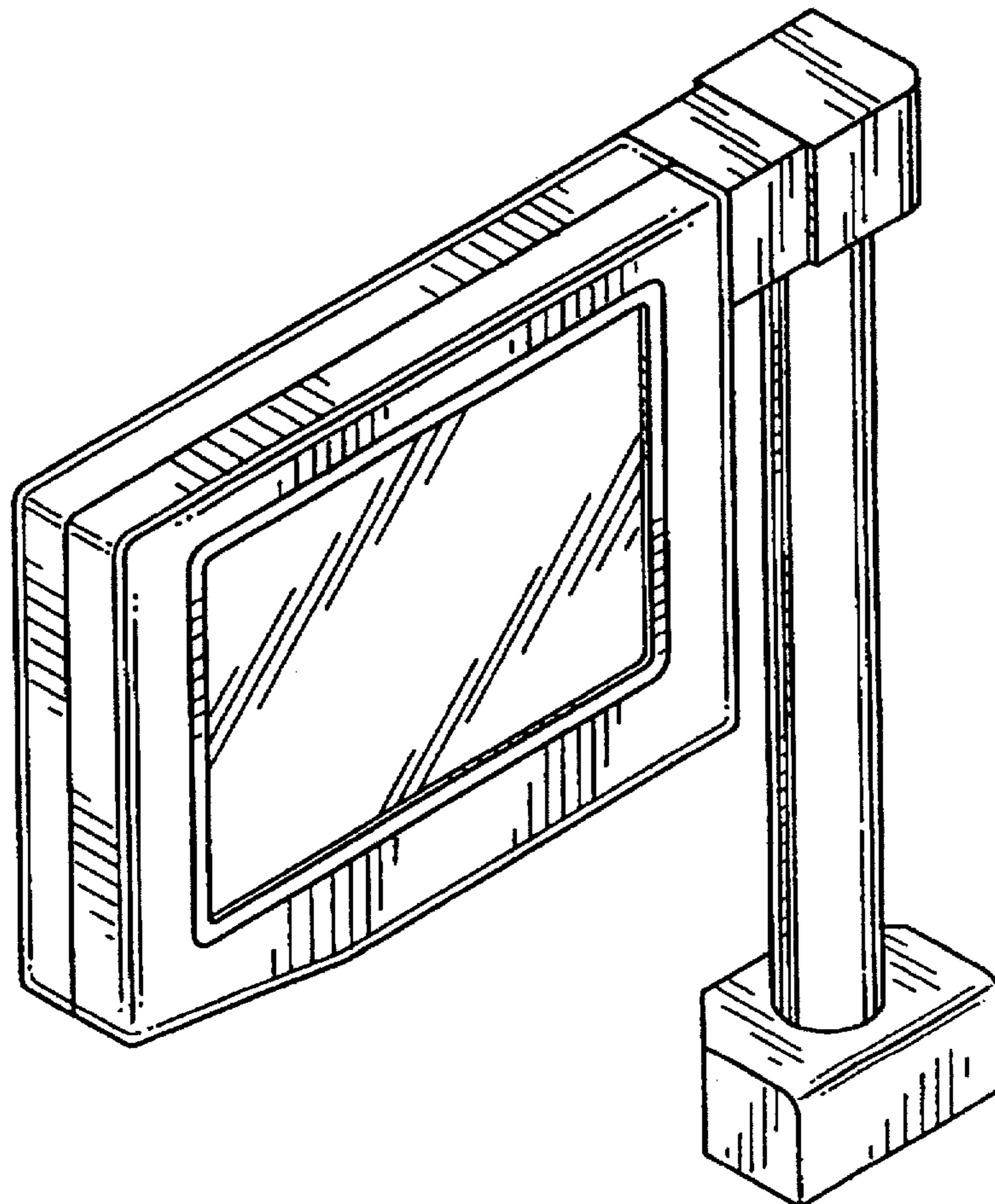
FIG. 1 is an isometric view of a stowable monitor mount constructed in accordance with a preferred embodiment of the invention, the monitor mount being configured in a display orientation;  
FIG. 2 is an isometric view similar to that of FIG. 1, but with the monitor mount configured in a stowed orientation;  
FIG. 3 is a front elevational view of the monitor mount as shown in FIG. 1;  
FIG. 4 is a rear elevational view thereof;  
FIG. 5 is a top plan view thereof;  
FIG. 6 is a bottom view thereof;  
FIG. 7 is a left-side view thereof; and,  
FIG. 8 is a right-side view thereof.

[56] **References Cited**

**U.S. PATENT DOCUMENTS**

D. 294,699	3/1988	Ohzu	.....	D14/126
D. 340,253	10/1993	Robak et al.		
D. 344,925	3/1994	Schimmelpfemming	.....	D12/345
D. 360,126	7/1995	Rosen		
D. 367,477	2/1996	Rosen		
5,076,524	12/1991	Reh et al.		
5,177,616	1/1993	Riday		
5,179,447	1/1993	Lain		
5,195,709	3/1993	Yasushi		

**1 Claim, 2 Drawing Sheets**



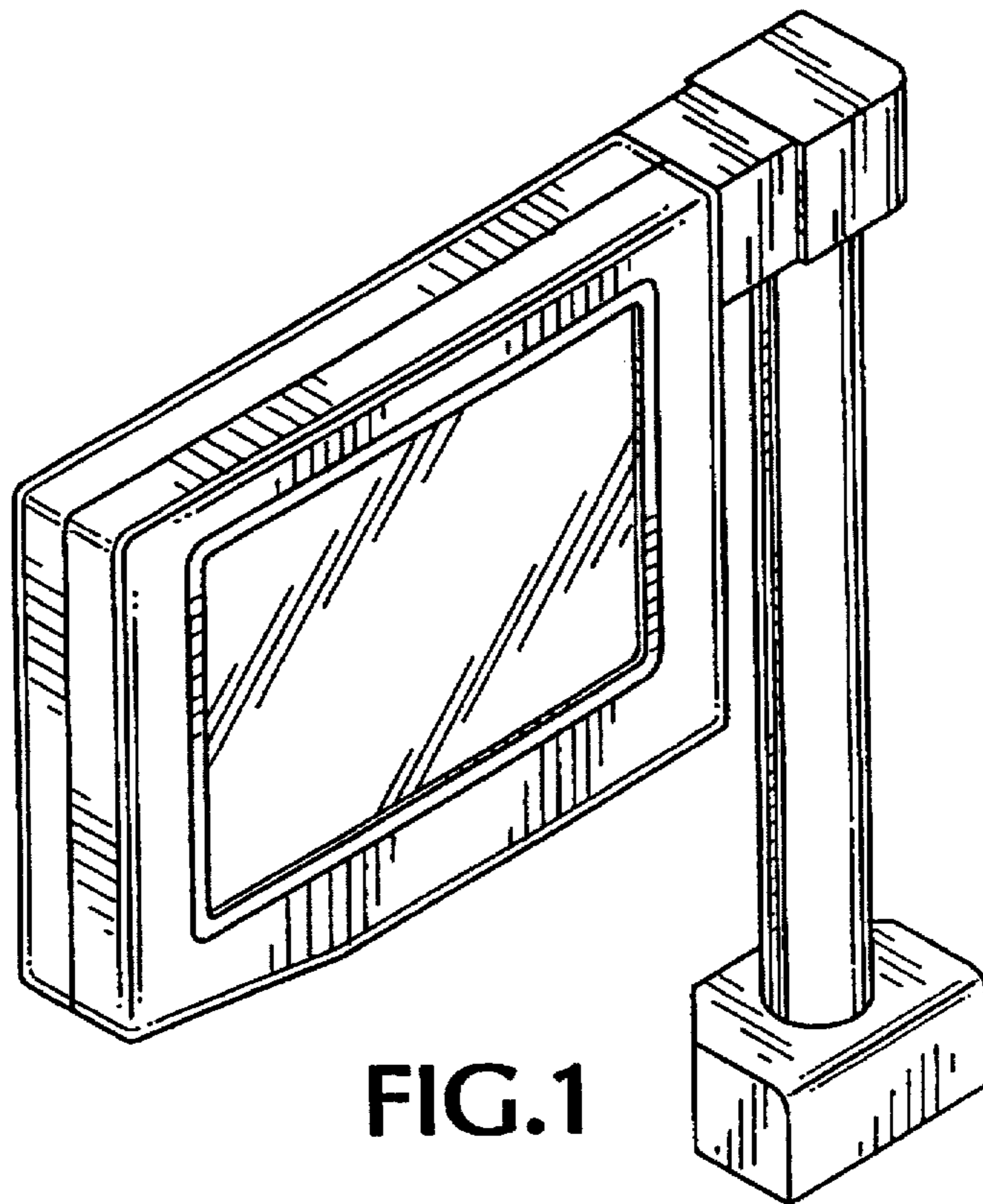


FIG. 1

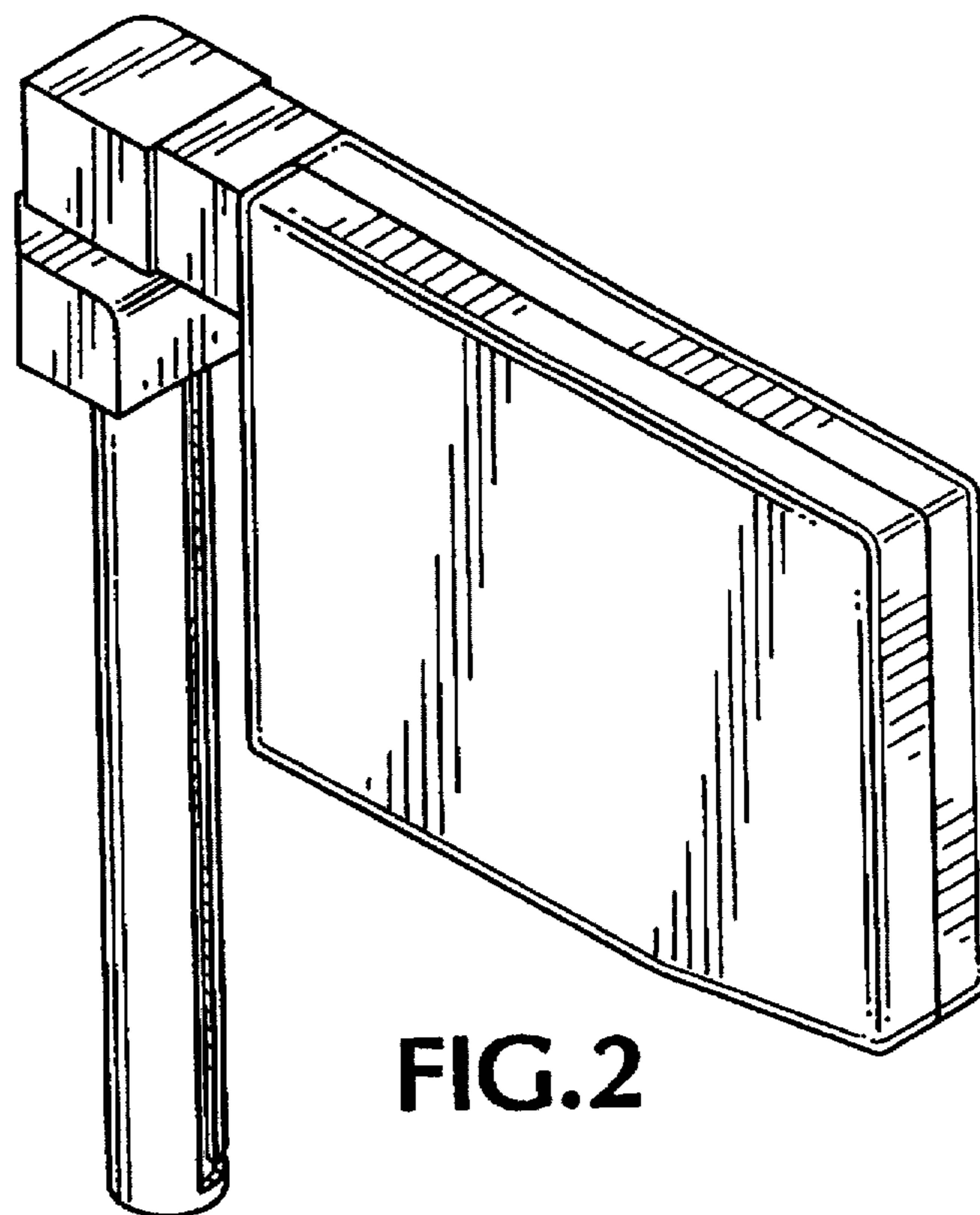


FIG. 2

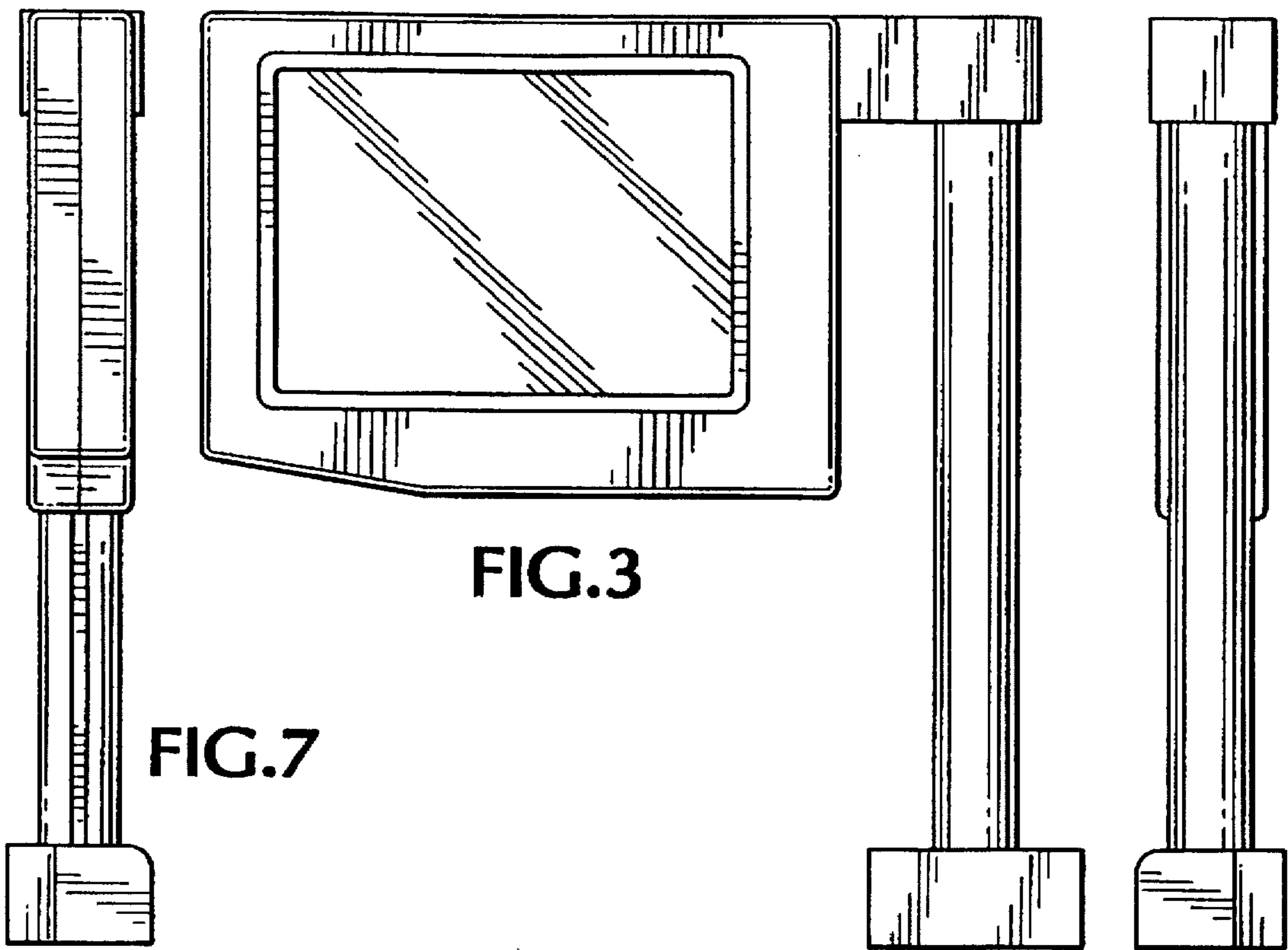


FIG.3

FIG.7

FIG.8

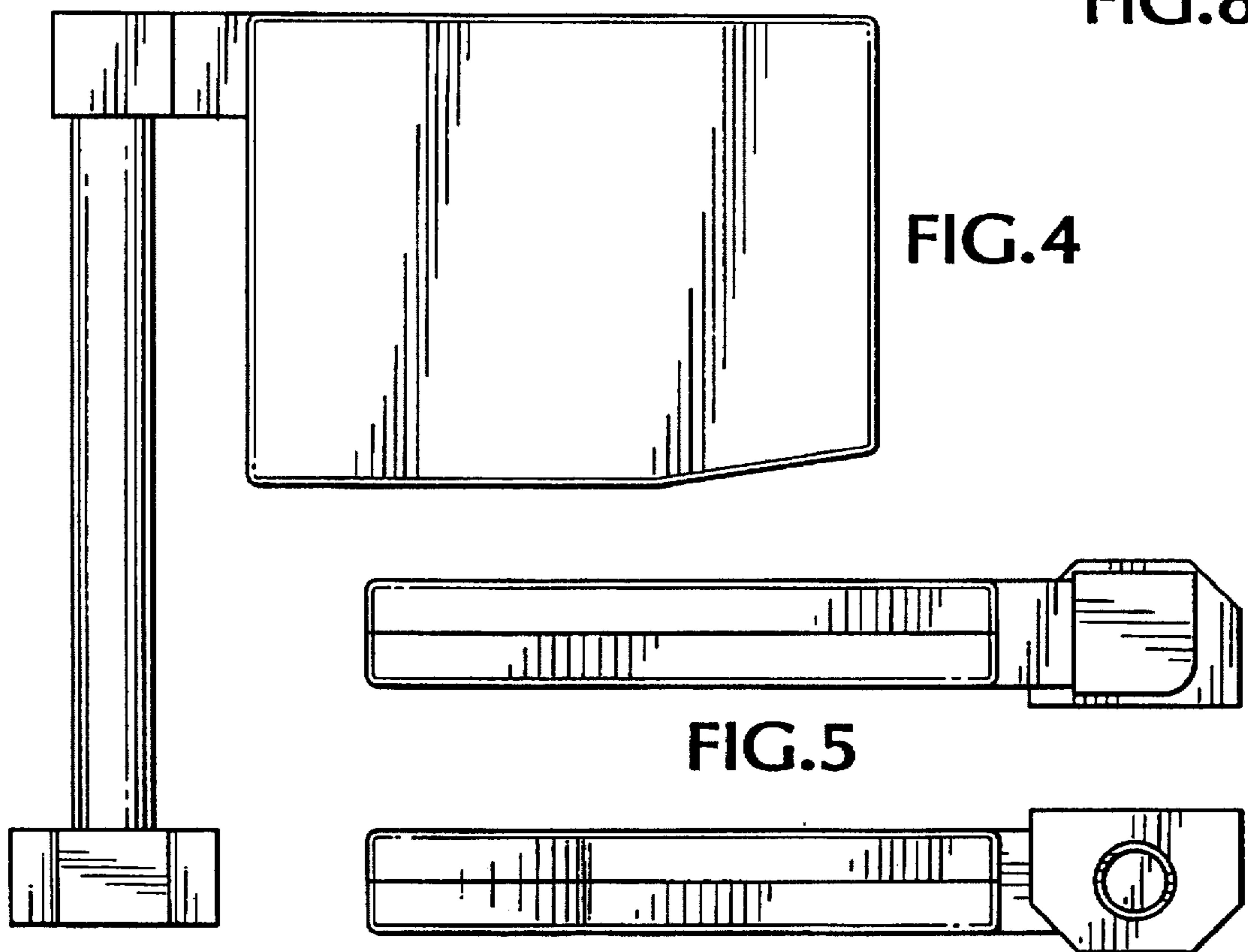


FIG.4

FIG.5

FIG.6

UNITED STATES PATENT AND TRADEMARK OFFICE  
**CERTIFICATE OF CORRECTION**

**PATENT NO.** : D 387,345  
**DATED** : 12/9/97  
**INVENTOR(S)** : Rosen

It is certified that error appears in the above-identified patent and that said Letters Patent is hereby corrected as shown below:

Title page, item [56], insert the following:

U. S. PATENT DOCUMENTS

EXAMINER INITIAL	PATENT NUMBER								ISSUE DATE	PATENTEE	CLASS	SUBCLASS	FILING DATE IF APPROPRIATE
	4	8	3	6	4	8	6	6/6/89	Vossoughi et al.				
	5	3	1	1	3	0	2	5/10/94	Berry et al.				
	5	5	4	7	2	4	8	8/20/96	Marechal				

Signed and Sealed this  
 Fifth Day of December, 2000

Attest:



Q. TODD DICKINSON

Attesting Officer

Director of Patents and Trademarks