



US00D387338S

United States Patent [19]
Leifer

[11] **Patent Number:** **Des. 387,338**
[45] **Date of Patent:** ****Dec. 9, 1997**

[54] **COMPUTER MOUSE**

[76] **Inventor:** **Richard Leifer**, 11 Beaumont Dr.,
Melville, N.Y. 11747

[**] **Term:** **14 Years**

[21] **Appl. No.:** **51,277**

[22] **Filed:** **Mar. 8, 1996**

[51] **LOC (6) Cl.** **14-02**

[52] **U.S. Cl.** **D14/114**

[58] **Field of Search** **D14/100, 114;**
D13/158; D21/13, 48; 178/18, 19; 200/5 A,
5 R, 6 A, 6 R; 74/471 XY; 273/148 B;
345/156-167

[56] **References Cited**

U.S. PATENT DOCUMENTS

- D. 361,559 8/1995 Siano, Jr. D14/114
- D. 370,219 5/1996 Blumer et al. D14/114

OTHER PUBLICATIONS

Hong Kong Toys Catalog vol. 1, Jan. 1993 p. 545 *Bugs Bunny Doll* (bottom right corner).

Primary Examiner—Freda Nunn
Attorney, Agent, or Firm—Collard & Roe, P.C.

[57] **CLAIM**

The ornamental design for a computer mouse, as shown and described.

DESCRIPTION

FIG. 1 is a perspective view of a computer mouse showing my new design;

FIG. 2 is a perspective view of a second embodiment thereof, the undisclosed views are identical to those of the first embodiment;

FIG. 3 is a top view of the first embodiment thereof;

FIG. 4 is a bottom view of thereof;

FIG. 5 is a right side view thereof;

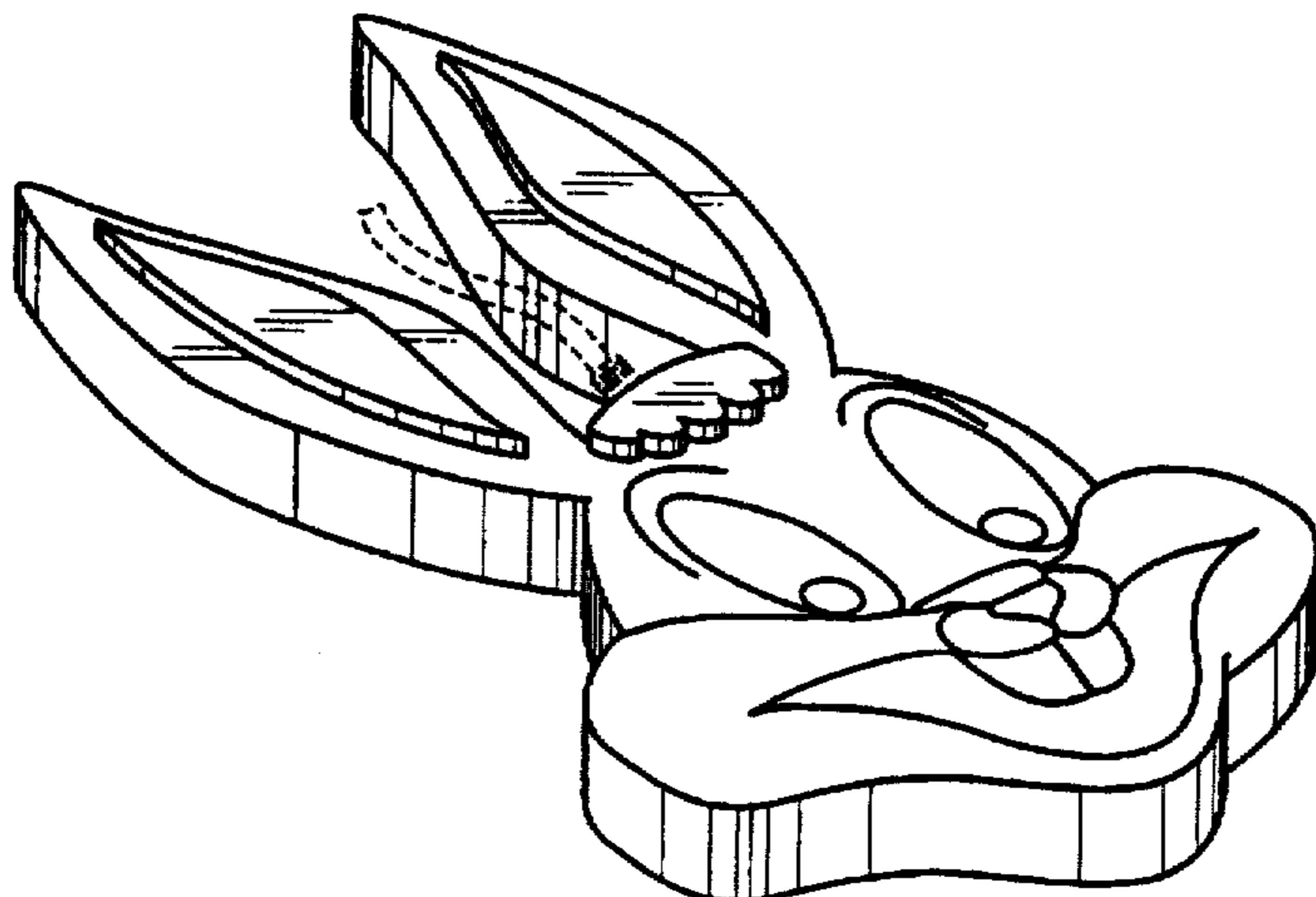
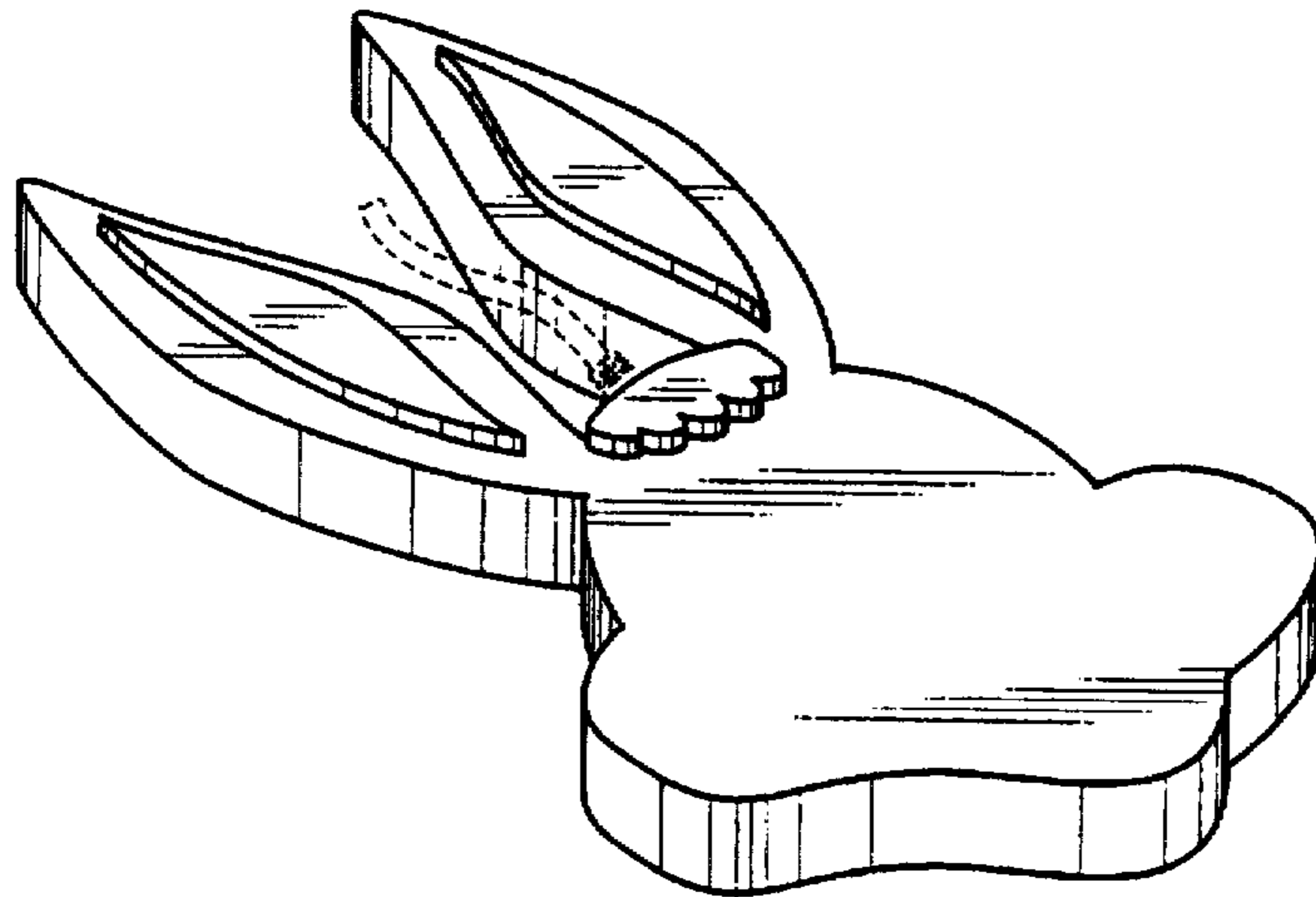
FIG. 6 is a left side view thereof;

FIG. 7 is rear elevation view thereof; and,

FIG. 8 is a front elevation view thereof.

The cord is shown in broken lines in the views for illustrative purposes only, and forms no part of the claimed design.

1 Claim, 3 Drawing Sheets



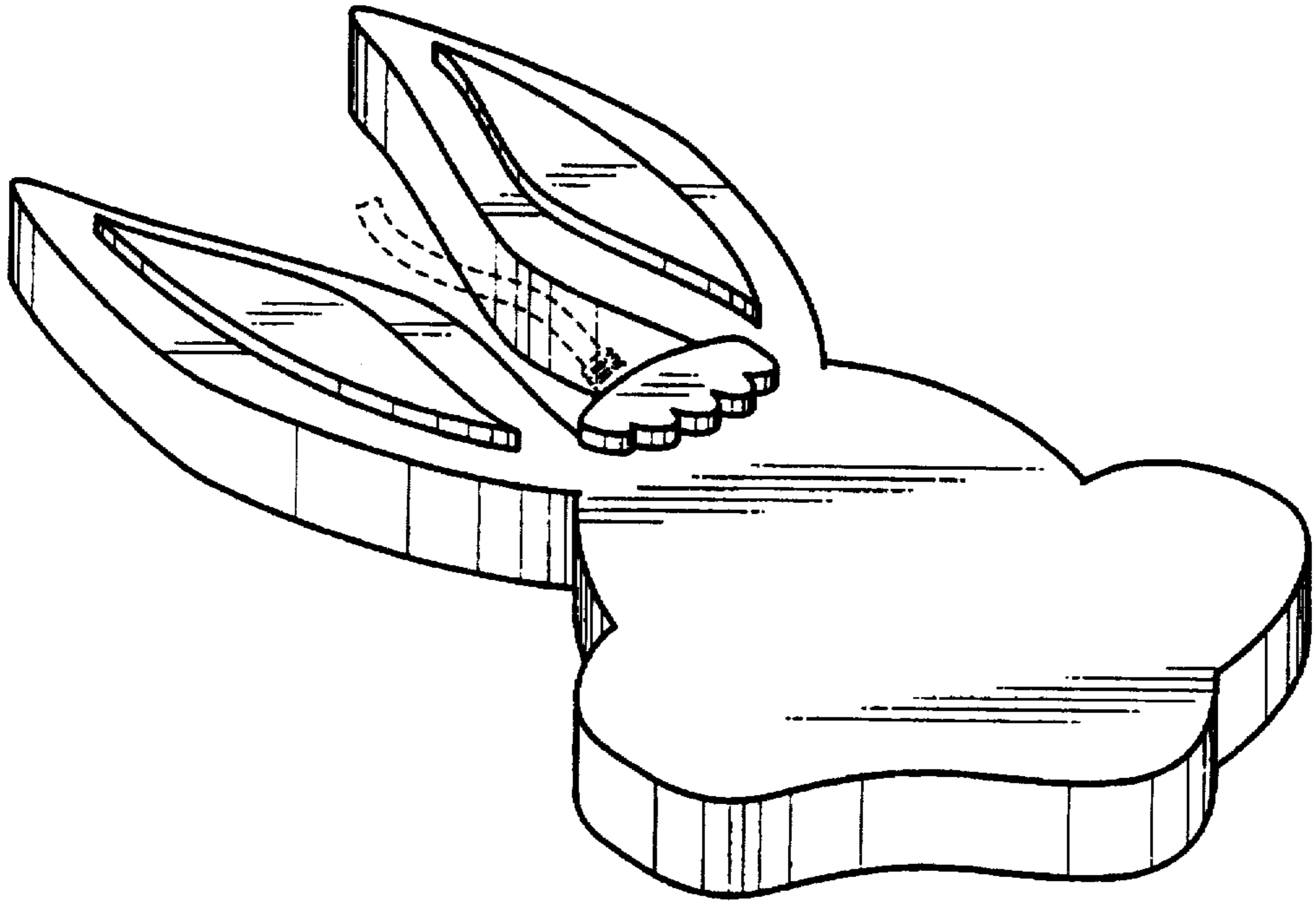


Fig. 1

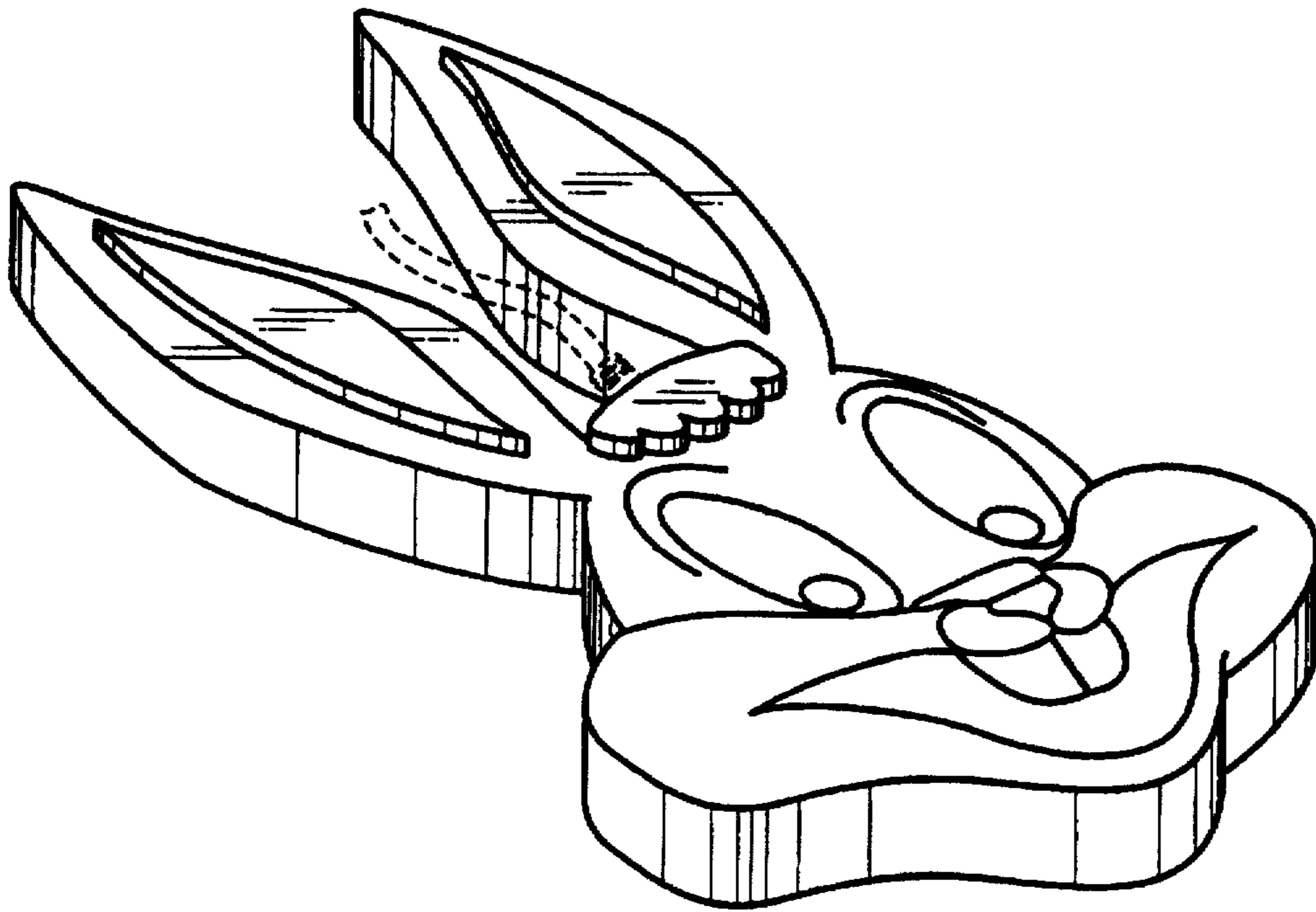


Fig. 2

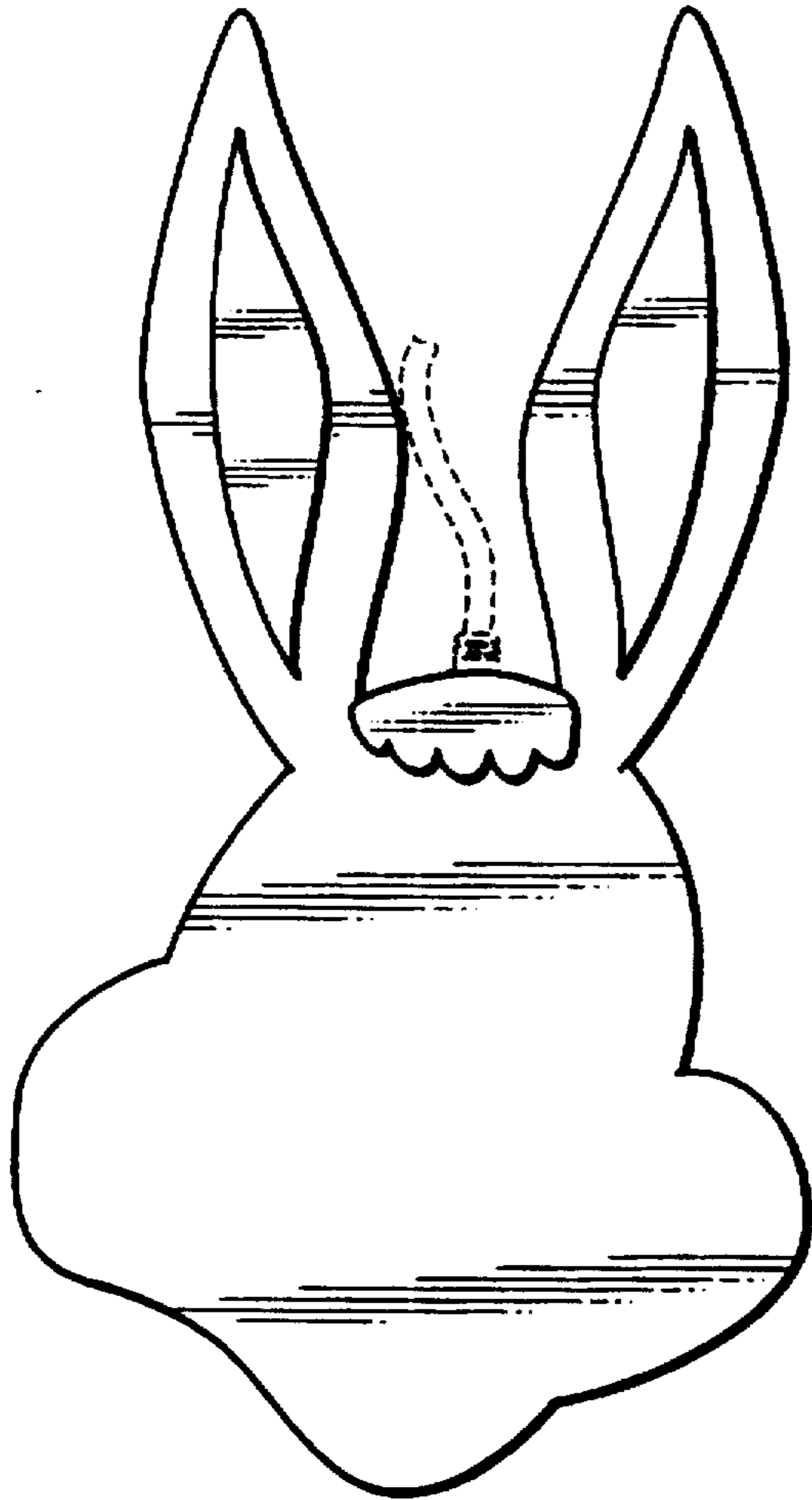


Fig. 3

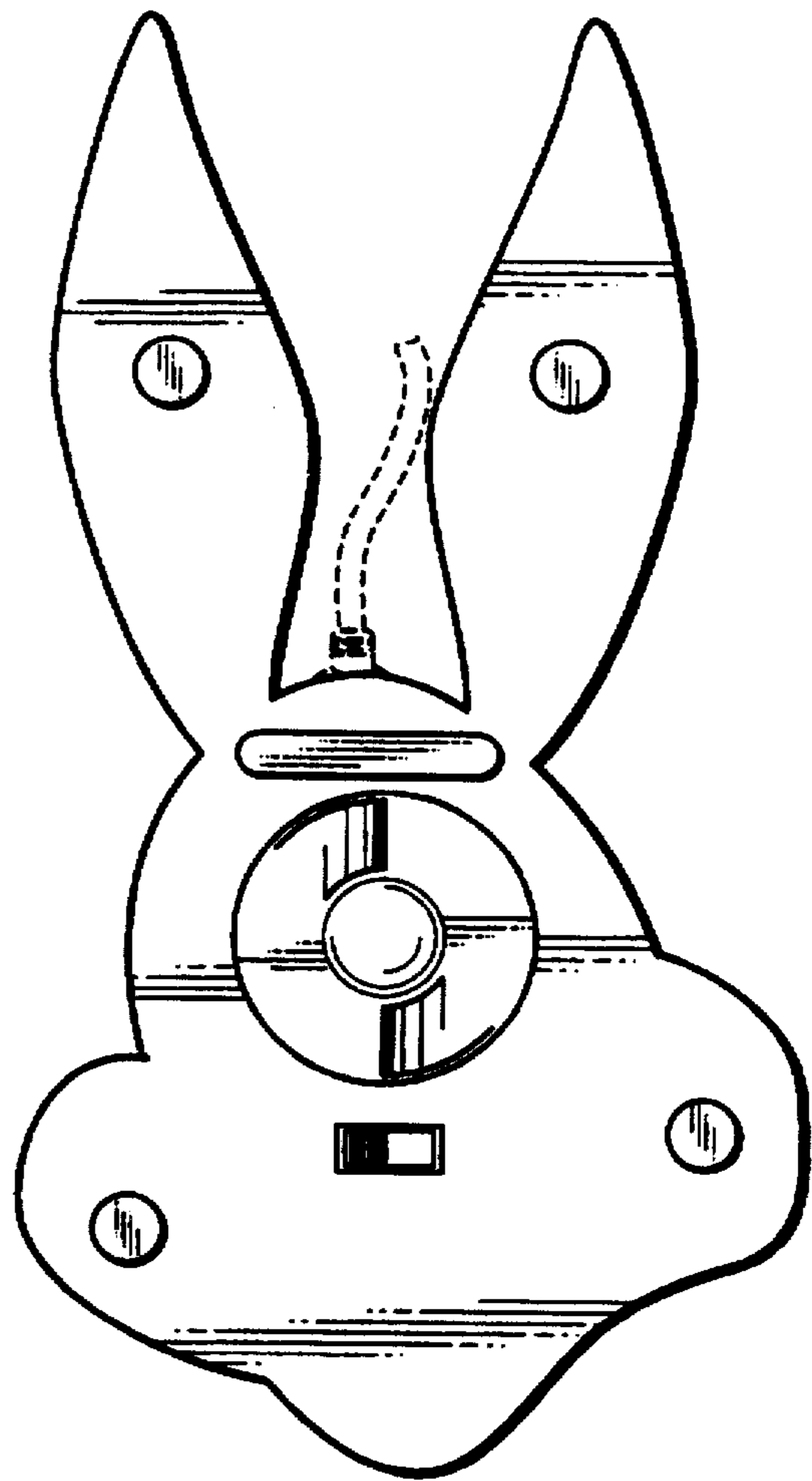


Fig. 4

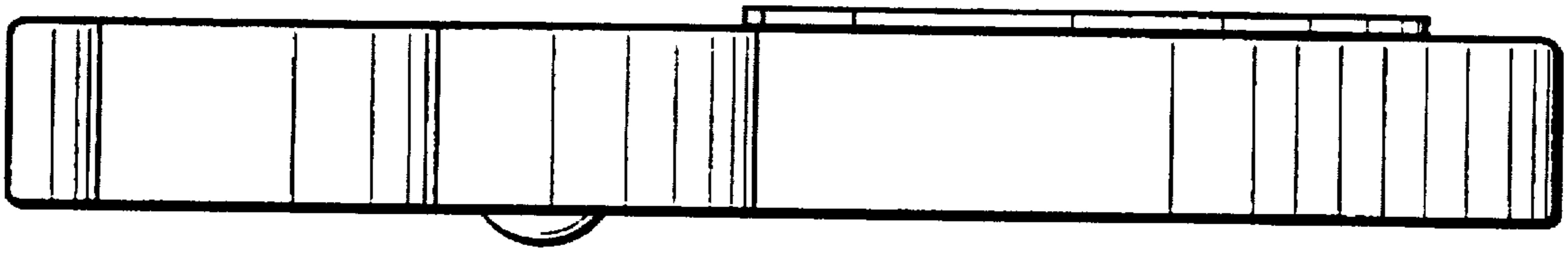


Fig. 5

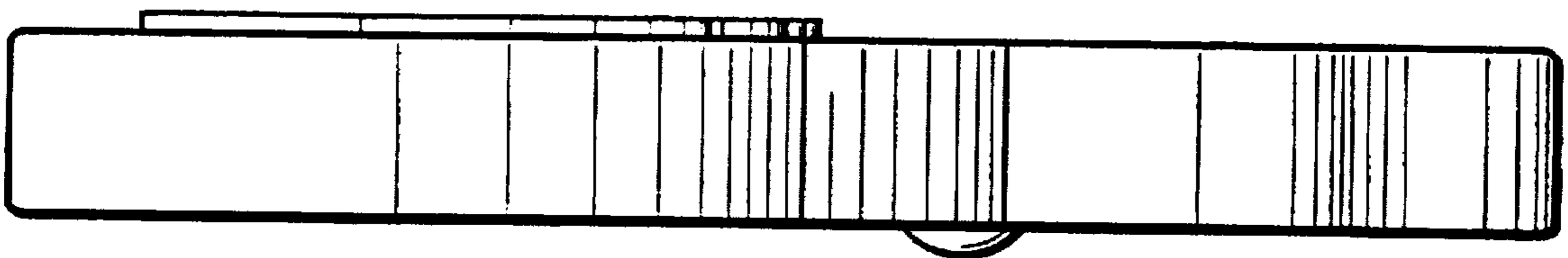


Fig. 6

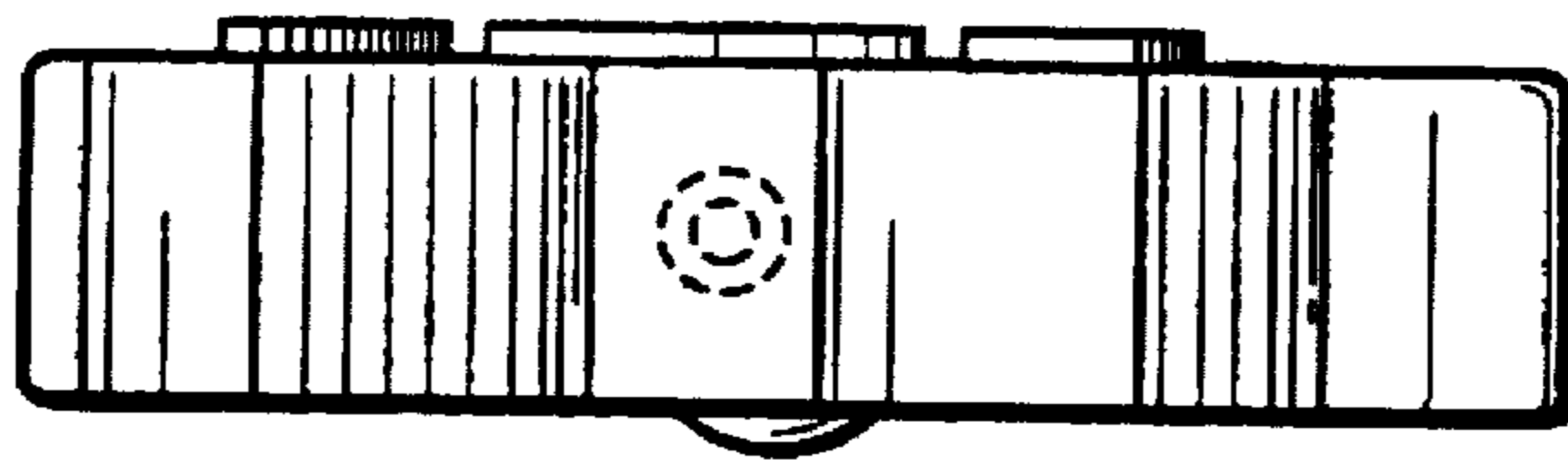


Fig. 7

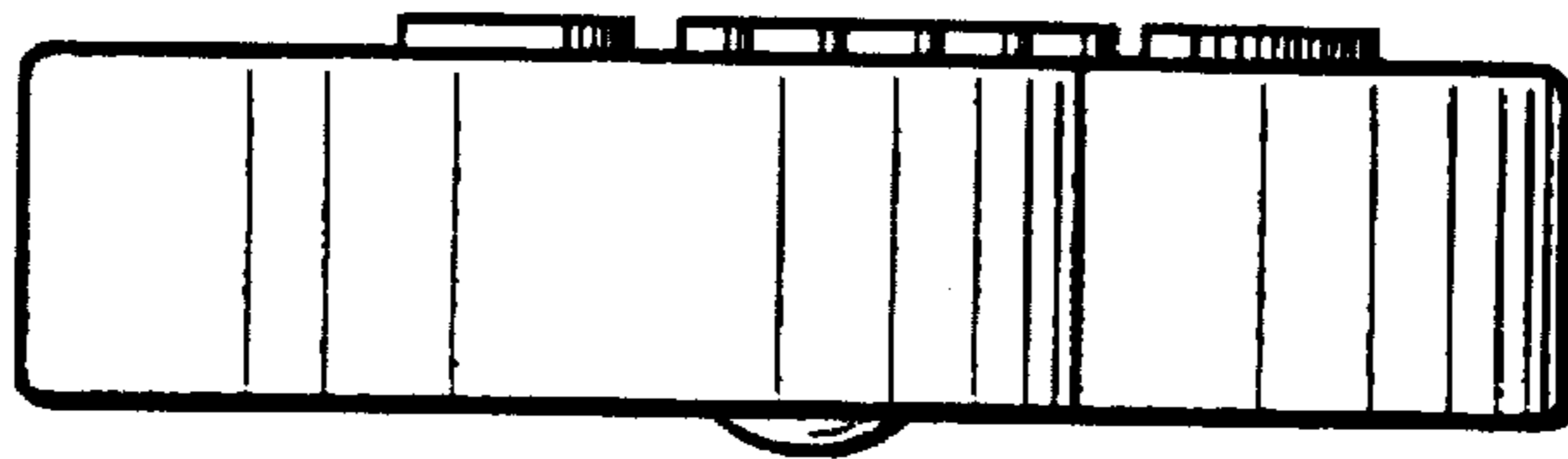


Fig. 8