



US00D387333S

United States Patent [19]

Pellow et al.

[11] Patent Number: **Des. 387,333**

[45] Date of Patent: ****Dec. 9, 1997**

[54] **HEATSINK ENCLOSURE FOR AN ELECTRICAL CONTROLLER**

[75] Inventors: **Donald L. Pellow, Pleasanton; Stephen F. Post, Walnut Creek, both of Calif.**

[73] Assignee: **Curtis Instruments, Inc., Mt. Kisco, N.Y.**

[**] Term: **14 Years**

[21] Appl. No.: **44,406**

[22] Filed: **Sep. 25, 1995**

[51] LOC (6) Cl. **13-03**

[52] U.S. Cl. **D13/184; D13/179**

[58] Field of Search **D13/110, 123, D13/179, 184; 361/704, 709, 710, 712, 718, 719, 720; 165/80.3, 185; 257/722; 174/16.3**

[56] **References Cited**

U.S. PATENT DOCUMENTS

- D. 281,315 11/1985 Kjeld D13/184
- D. 292,914 11/1987 Moeller D13/184 X
- D. 332,443 1/1993 Sharpe D13/184

- D. 337,114 7/1993 Mantz D13/184 X
- 3,741,292 6/1973 Aakalu et al. 165/105
- 3,851,221 11/1974 Beaulieu et al. 317/100
- 4,557,225 12/1985 Sagues et al. 165/80.3 X
- 4,769,557 9/1988 Houf et al. 307/147
- 5,130,891 7/1992 Christie D13/184 X
- 5,446,617 8/1995 Blocher et al. 361/704 X

Primary Examiner—Joel Sincavage
Attorney, Agent, or Firm—John H. Crozier

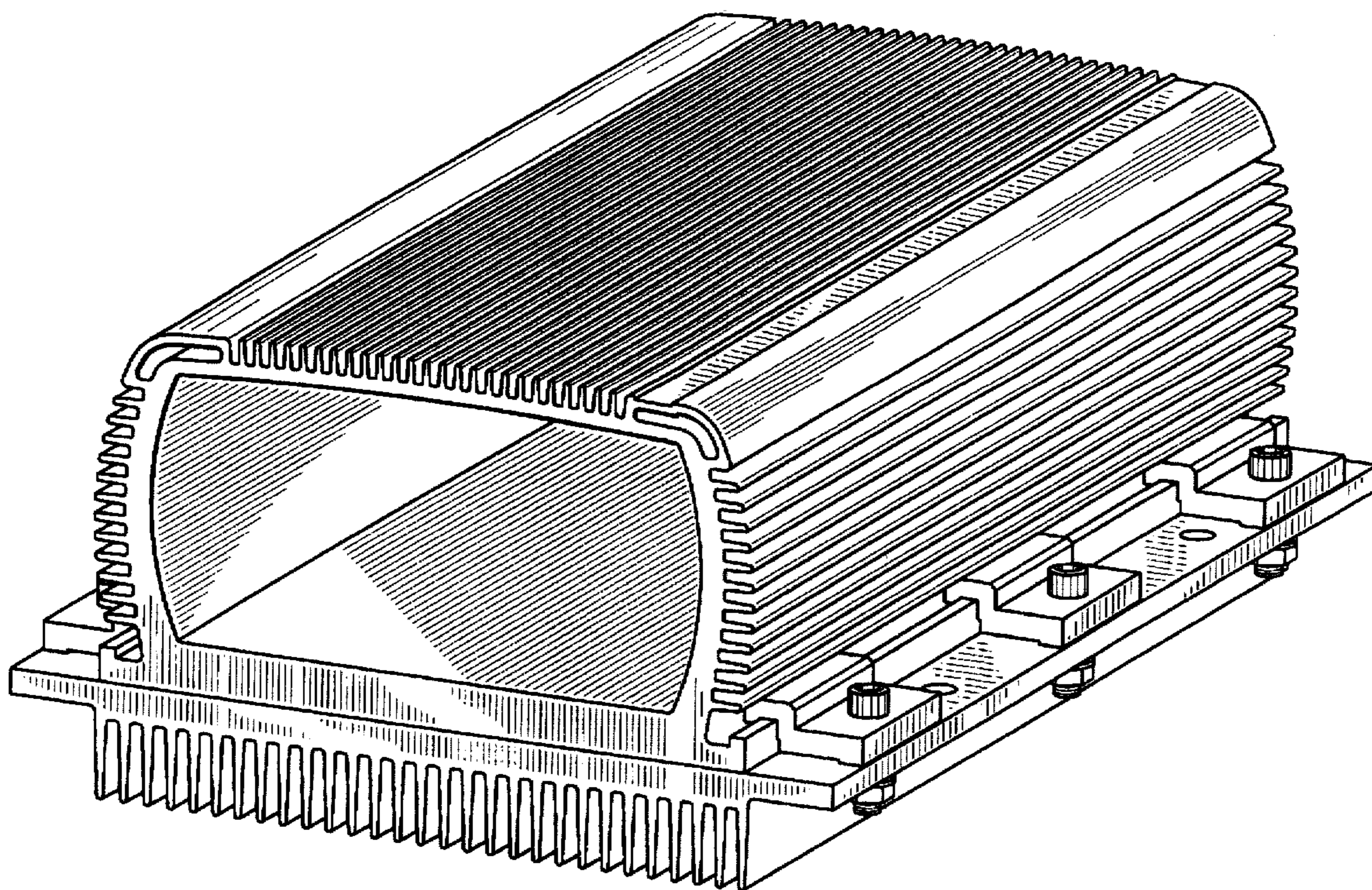
[57] **CLAIM**

The ornamental design for a heatsink enclosure for an electrical controller, as shown.

DESCRIPTION

FIG. 1 is a front/top/side perspective view of a heatsink enclosure for an electrical controller showing our new design;
 FIG. 2 is a bottom plan view thereof;
 FIG. 3 is a top plan view thereof;
 FIG. 4 is a front elevational view thereof;
 FIG. 5 is a rear elevational view thereof;
 FIG. 6 is a right side elevational view thereof; and,
 FIG. 7 is a left side elevational view thereof.

1 Claim, 4 Drawing Sheets



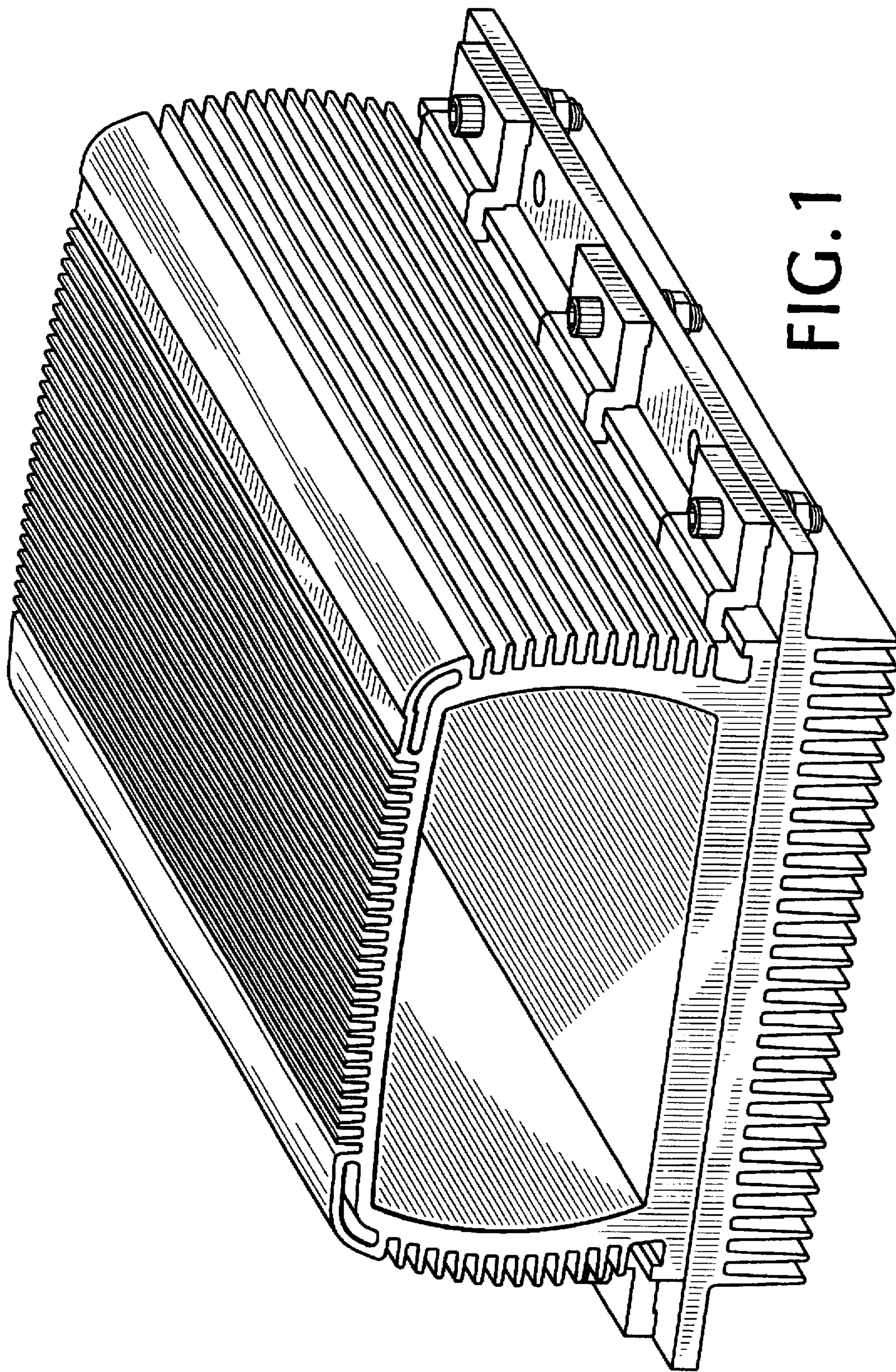


FIG. 1

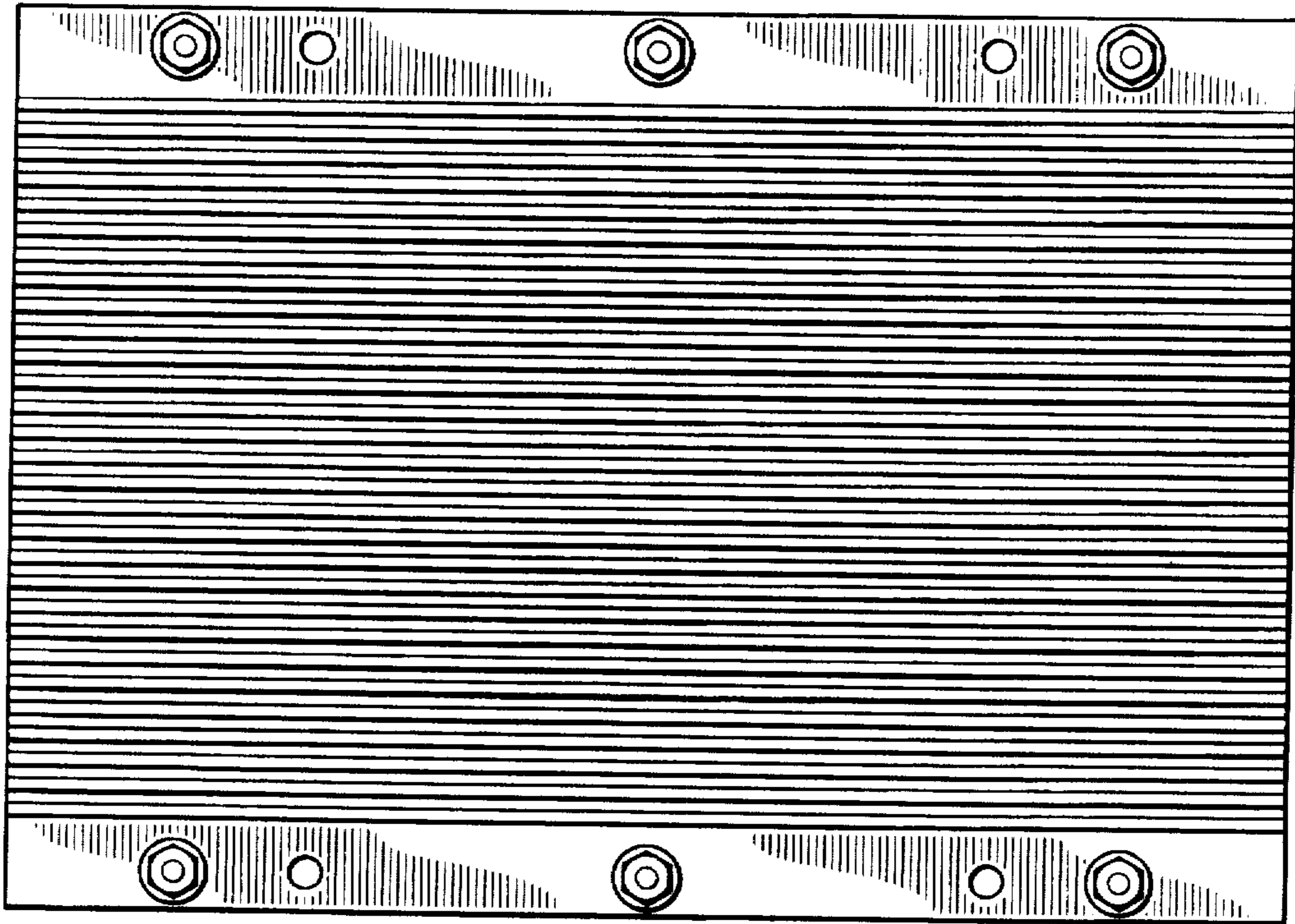


FIG. 2

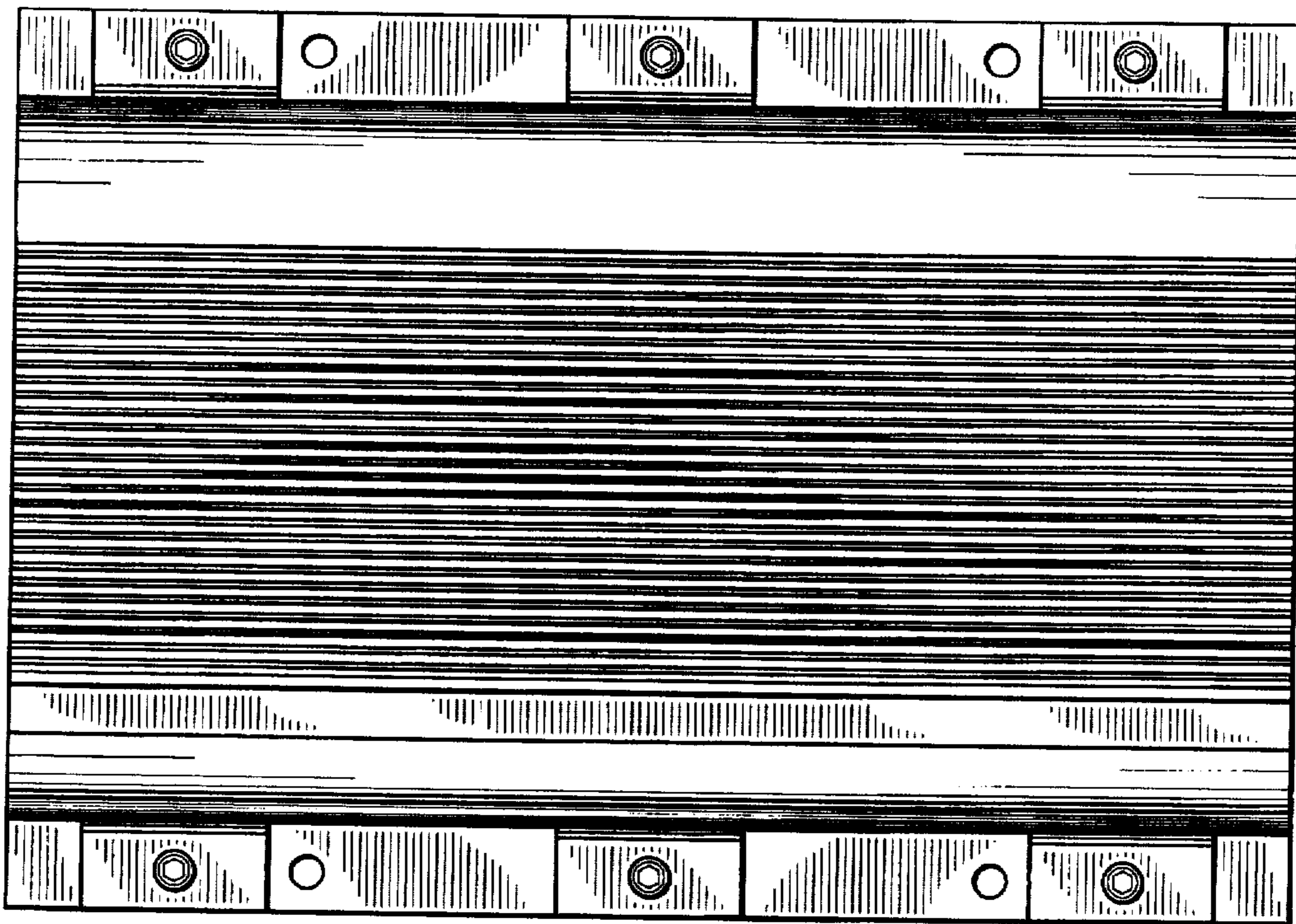


FIG. 3

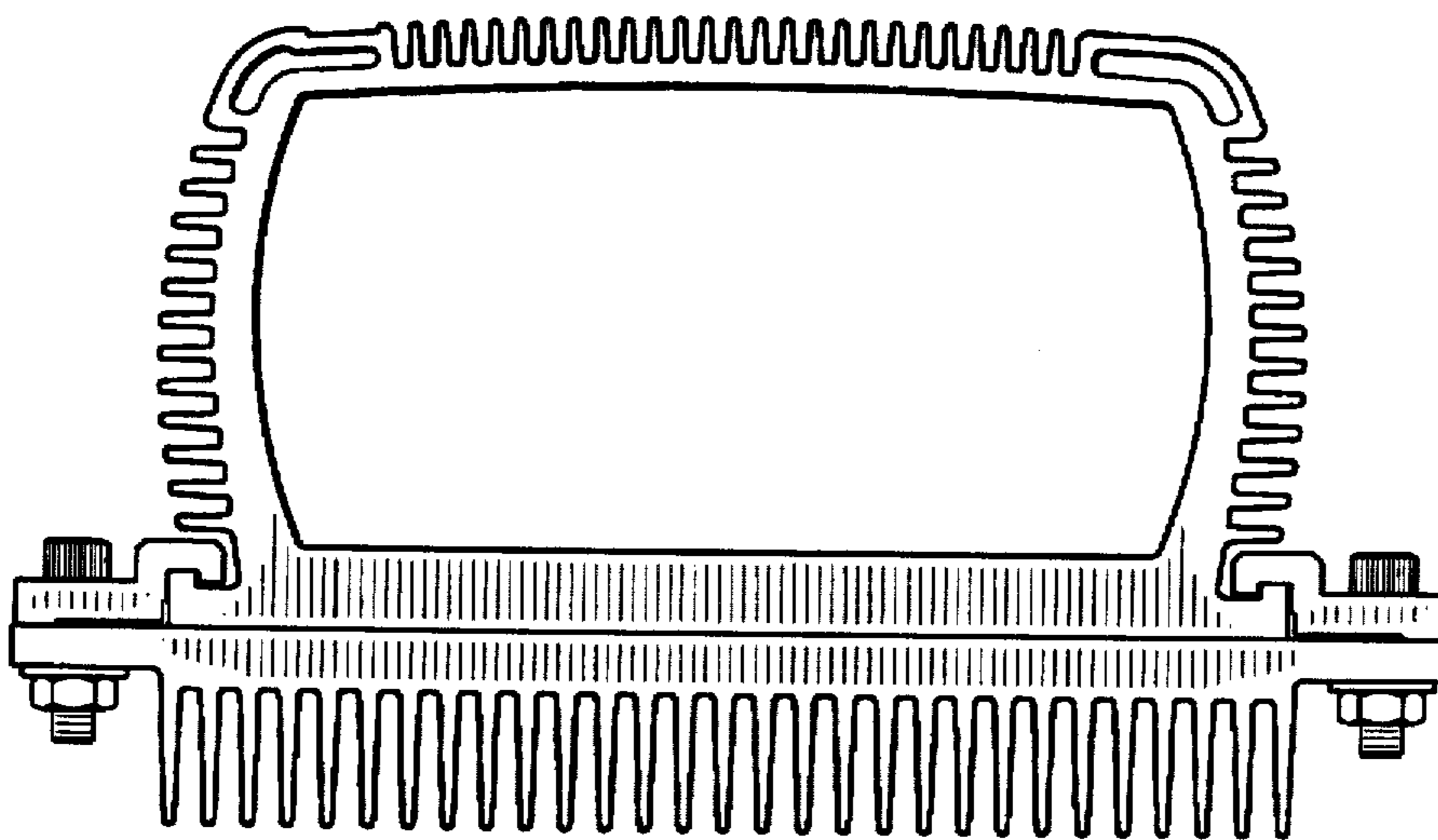


FIG. 4

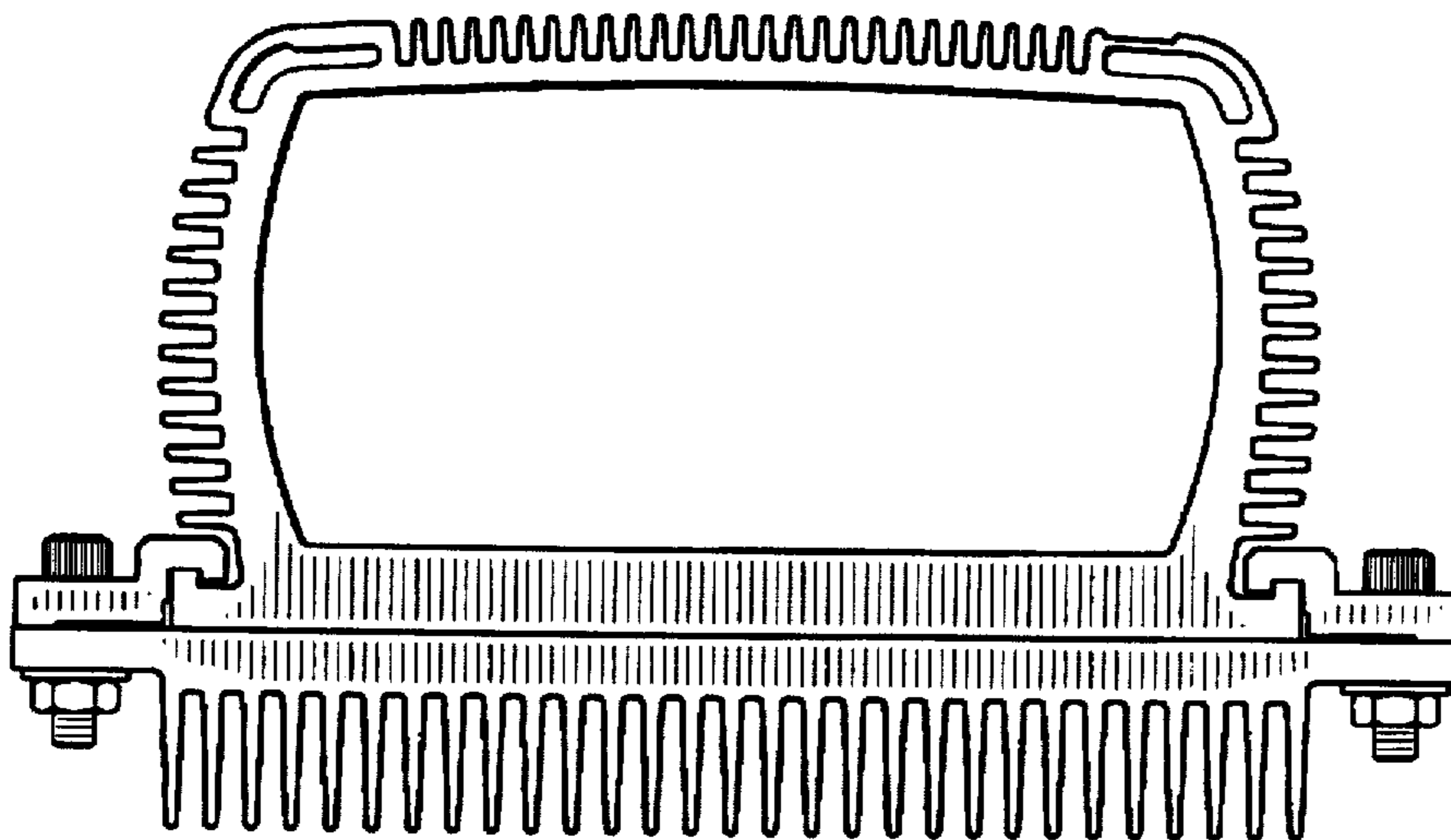


FIG. 5

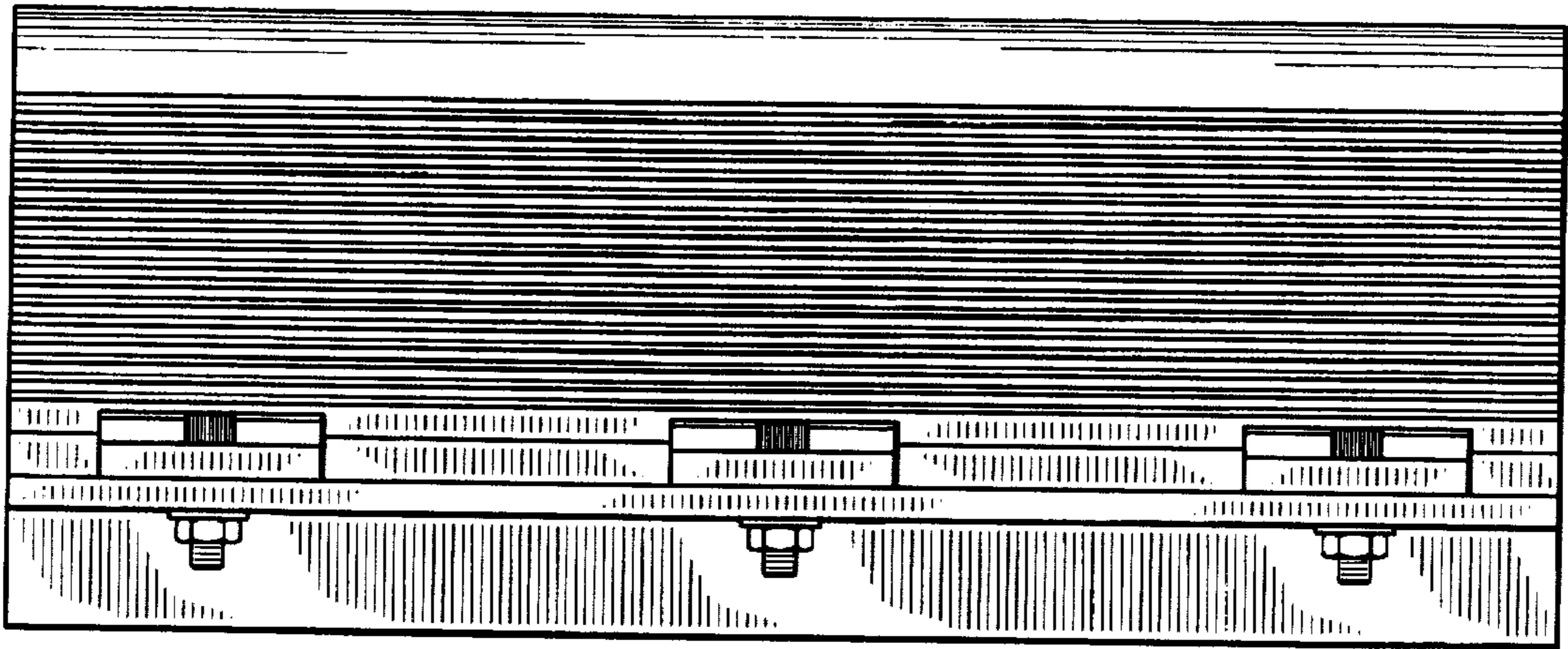


FIG. 6

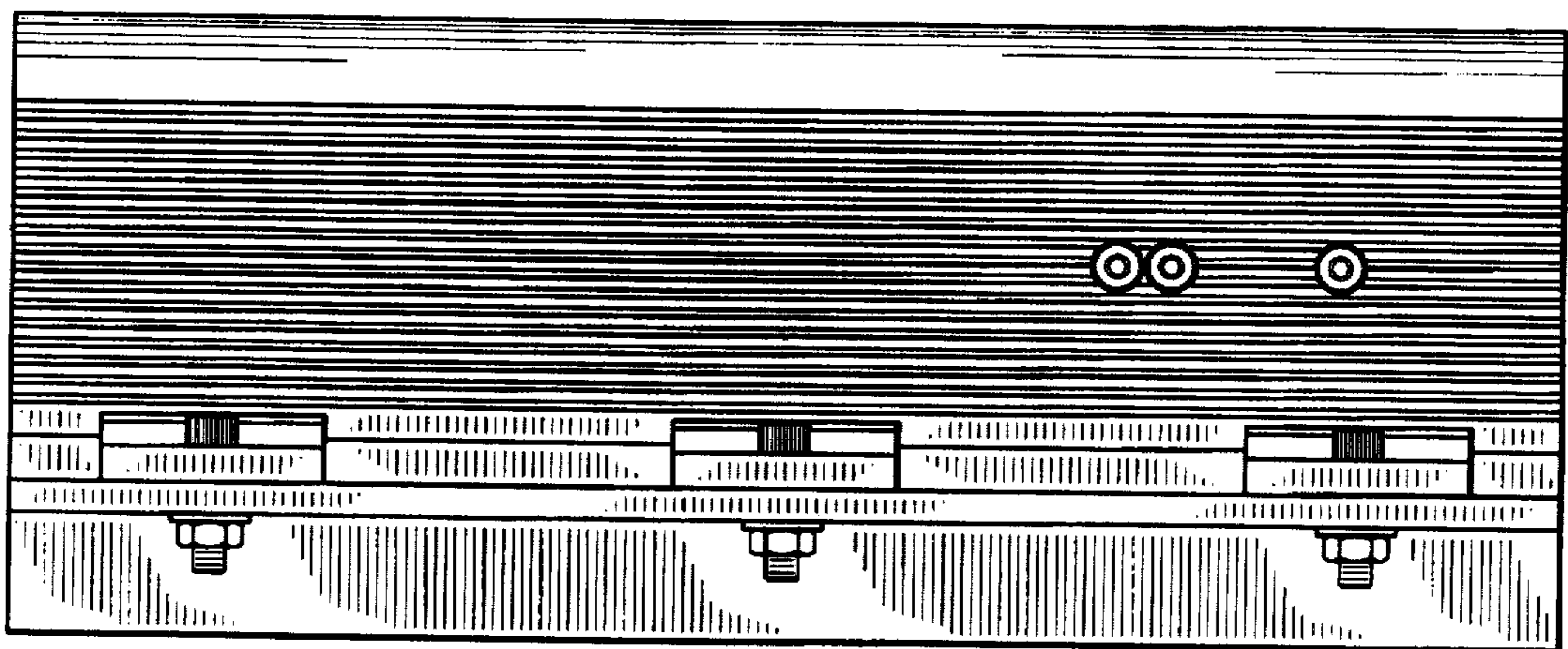


FIG. 7