



US00D387331S

United States Patent [19] Wong

[11] Patent Number: **Des. 387,331**

[45] Date of Patent: ****Dec. 9, 1997**

[54] **ELECTRICAL SWITCH**

4,016,387	4/1977	Aberer	200/303
4,133,990	1/1979	Wanner et al.	200/303
5,072,078	12/1991	Rao et al.	200/11 R

[76] Inventor: **Bun Wong**, 19th Floor, A-8 Wah Kai Industrial Centre, 221 Texaco Road, Tsuen Wan, New Territories, Hong Kong

[**] Term: **14 Years**

Primary Examiner—James Gandy
Assistant Examiner—Cathron B. Matta
Attorney, Agent, or Firm—Leydig, Voit & Mayer, Ltd.

[21] Appl. No.: **56,054**

[22] Filed: **Jun. 21, 1996**

[57] **CLAIM**

The ornamental design for an electrical switch, as shown and described.

[30] **Foreign Application Priority Data**

DESCRIPTION

Jan. 4, 1996 [GB] United Kingdom 2053146

FIG. 1 is a front, top and right side perspective view of an electrical switch showing my new design;
FIG. 2 is a front elevational view thereof;
FIG. 3 is a rear elevational view thereof;
FIG. 4 is a right side elevational view thereof;
FIG. 5 is a left side elevational view thereof;
FIG. 6 is a top plan view thereof; and,
FIG. 7 is a bottom plan view thereof.

[51] LOC (6) Cl. **13-03**

[52] U.S. Cl. **D13/158**

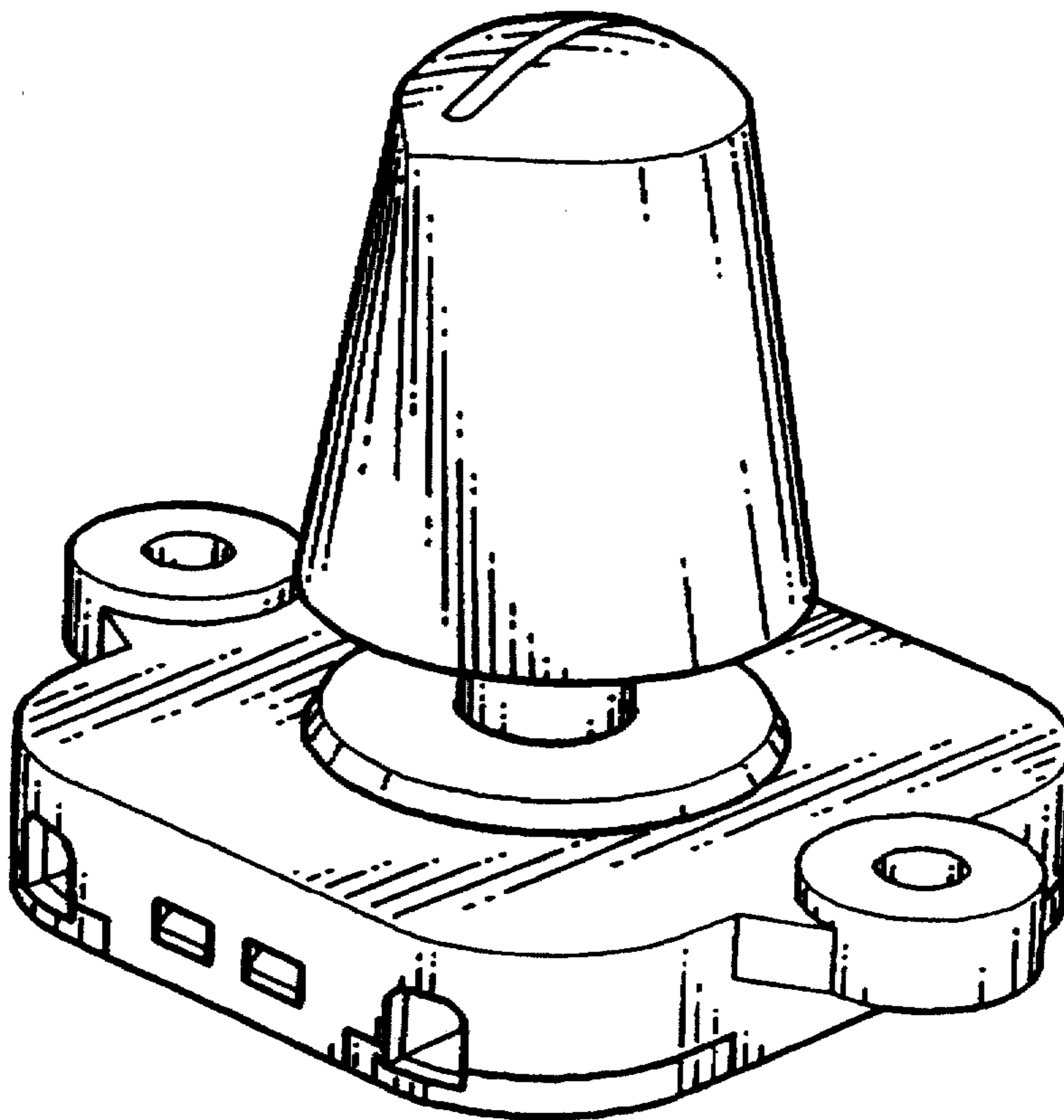
[58] Field of Search D13/158-178,
D13/199, 174; 200/11 R, 293, 4, 303, 308,
336

[56] **References Cited**

U.S. PATENT DOCUMENTS

D. 297,726 9/1988 Araki D13/174

1 Claim, 3 Drawing Sheets



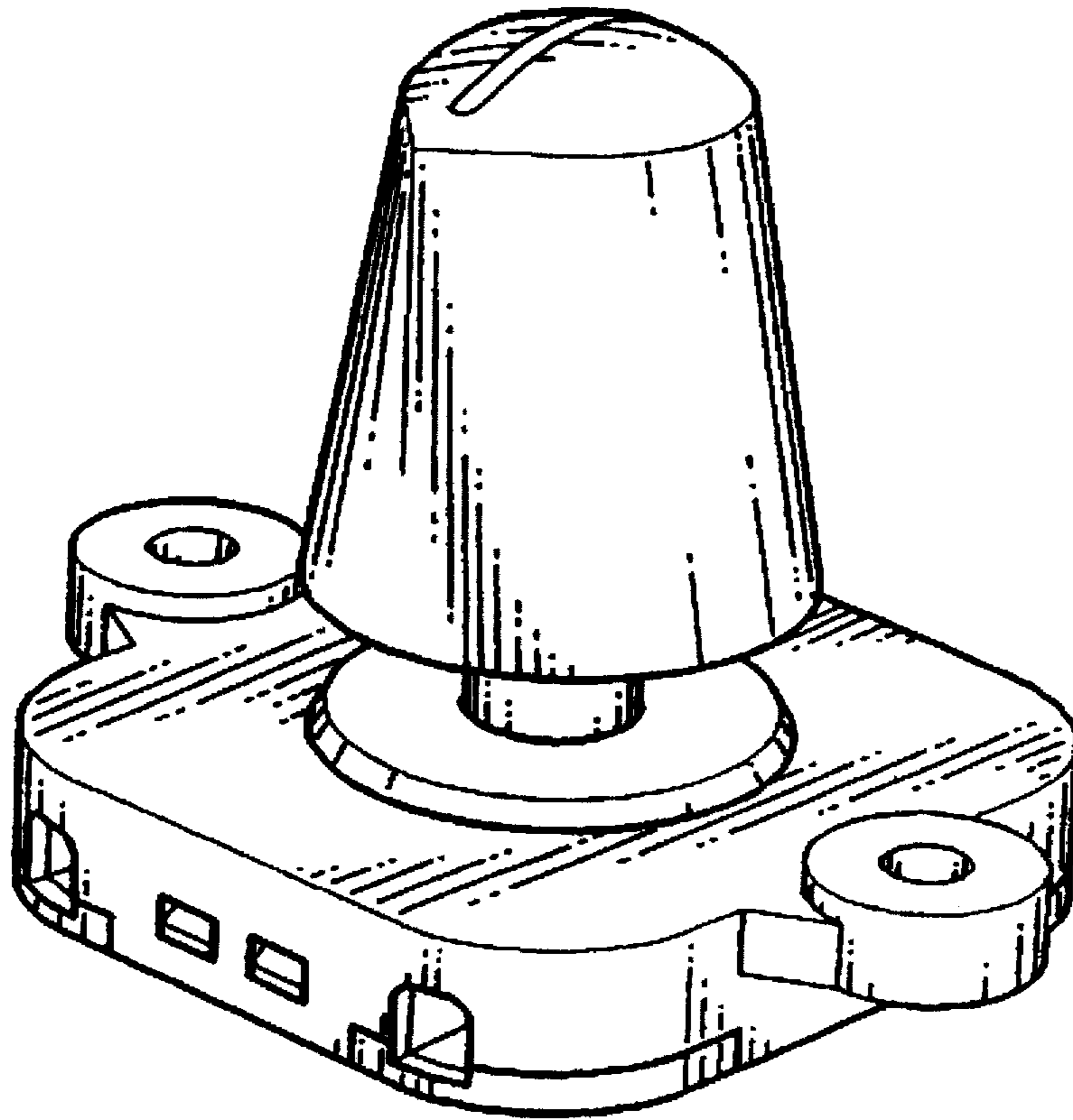


FIG. 1

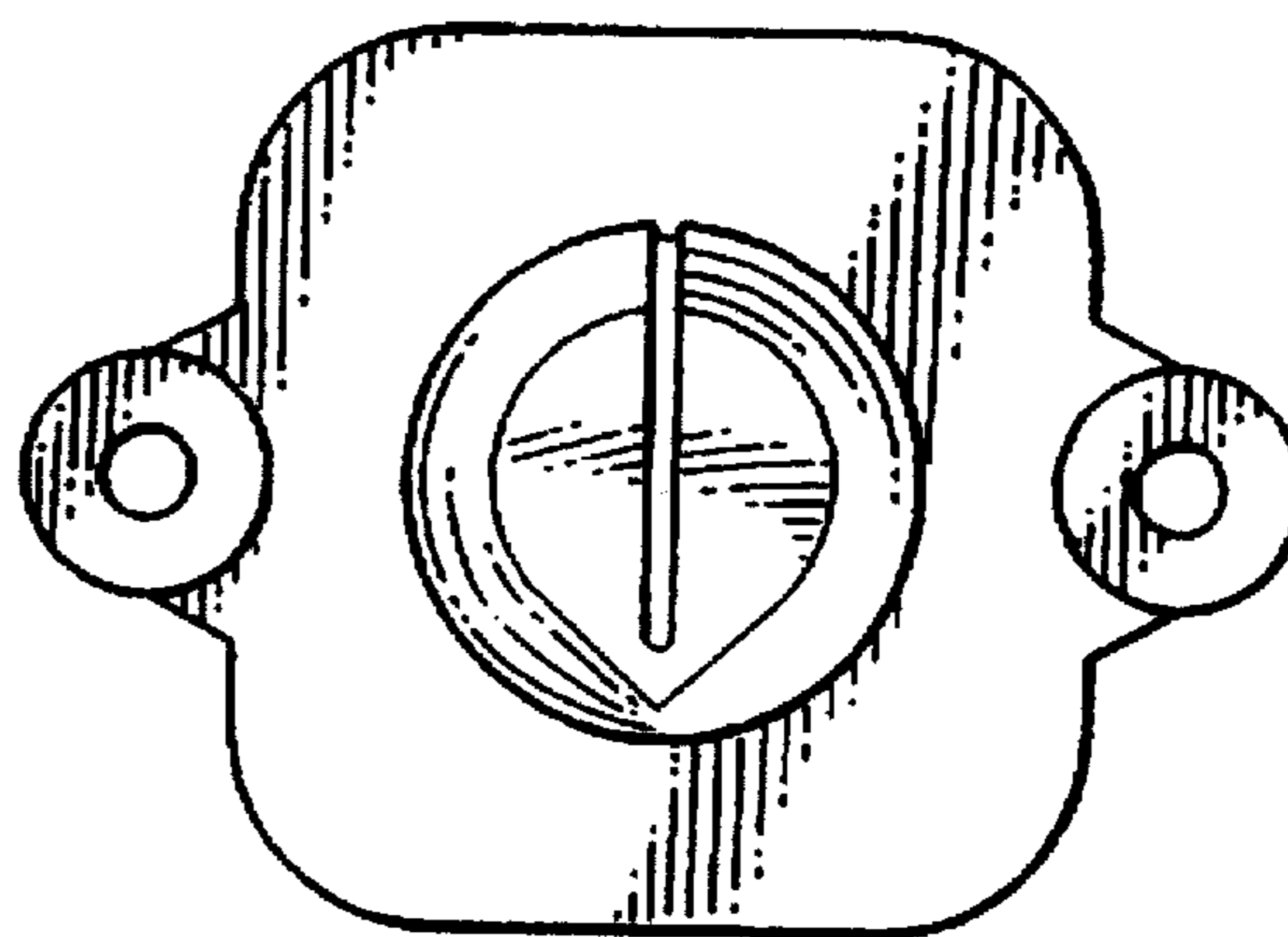


FIG. 6

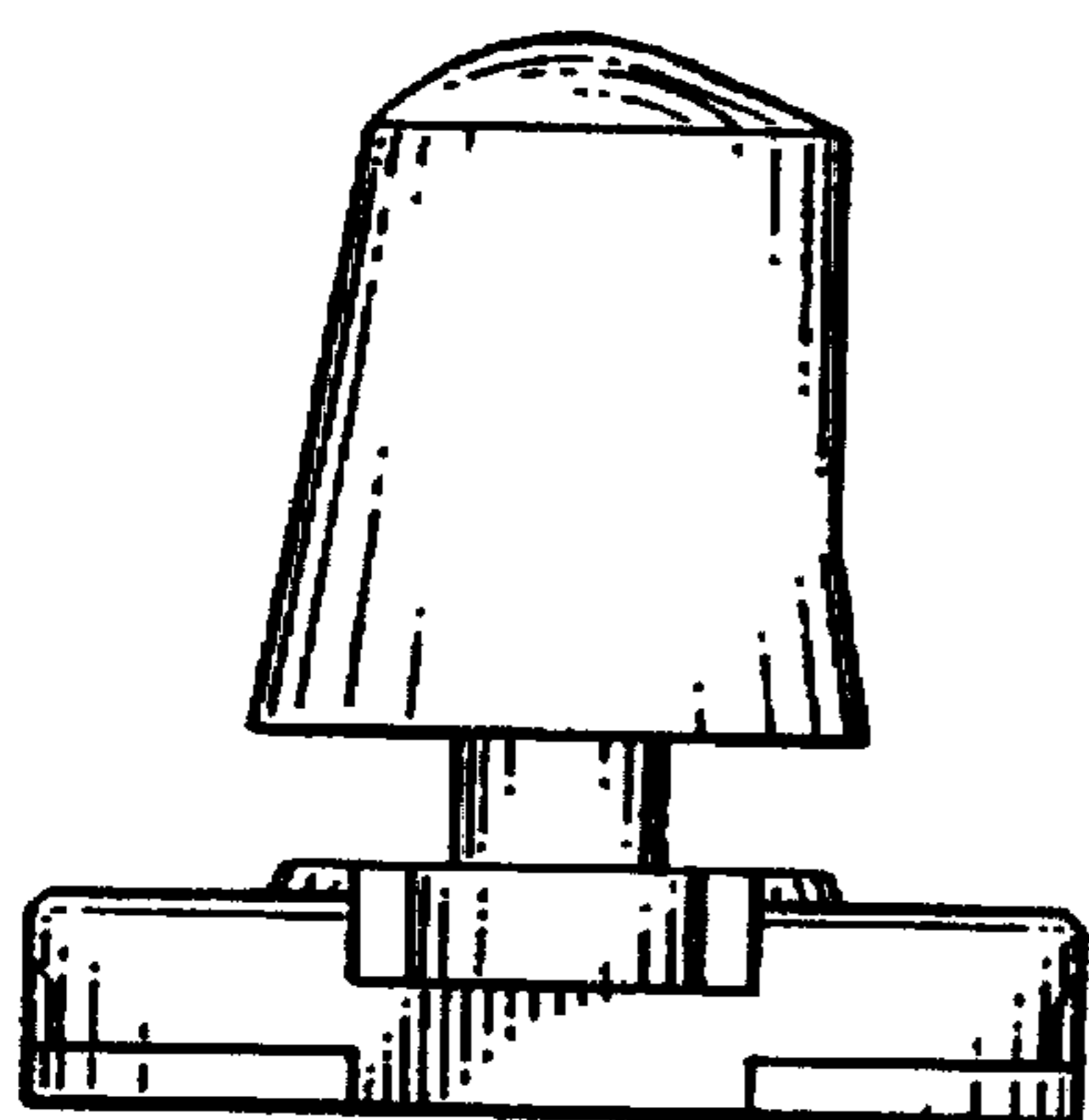


FIG. 5

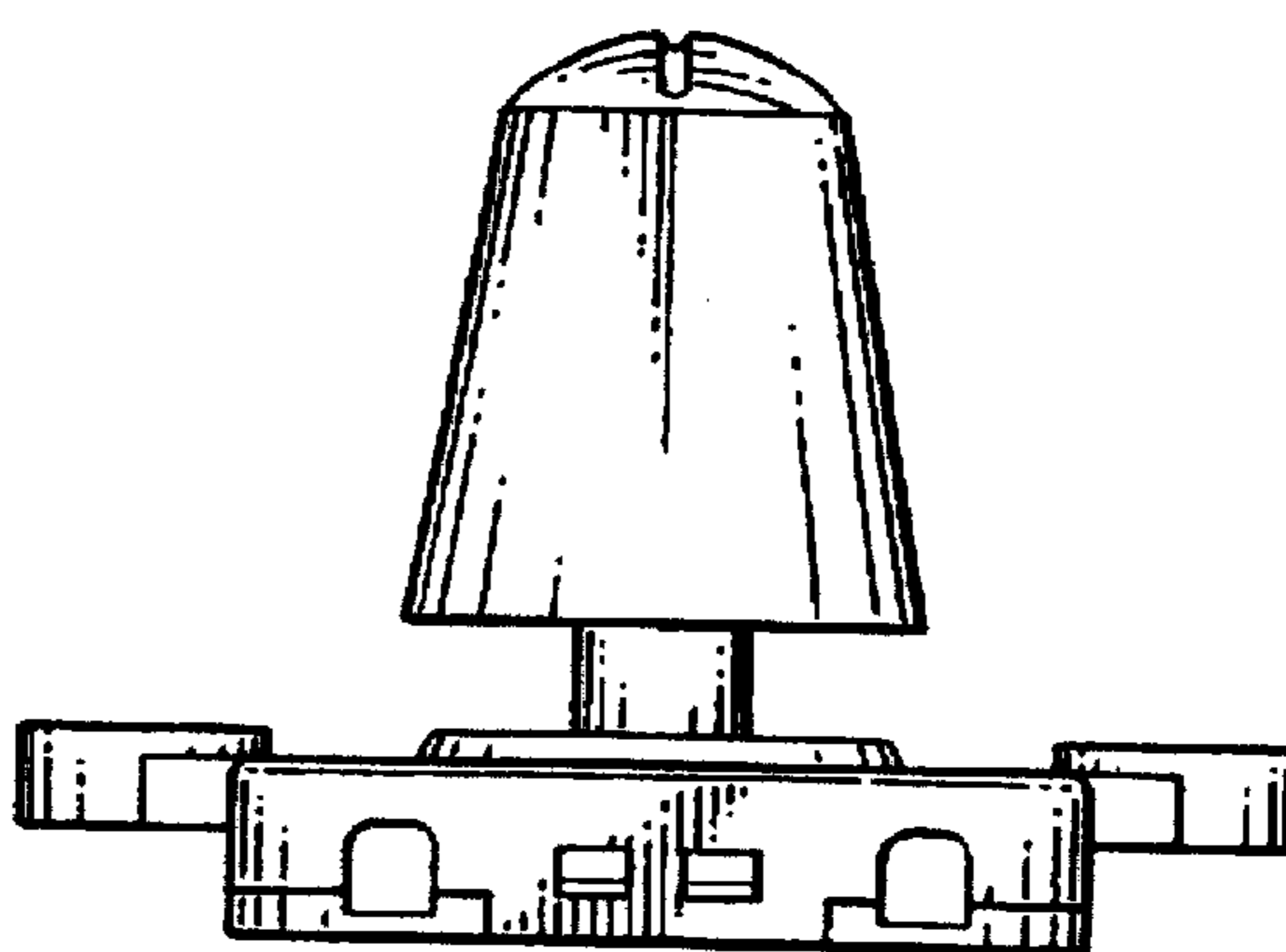


FIG. 2

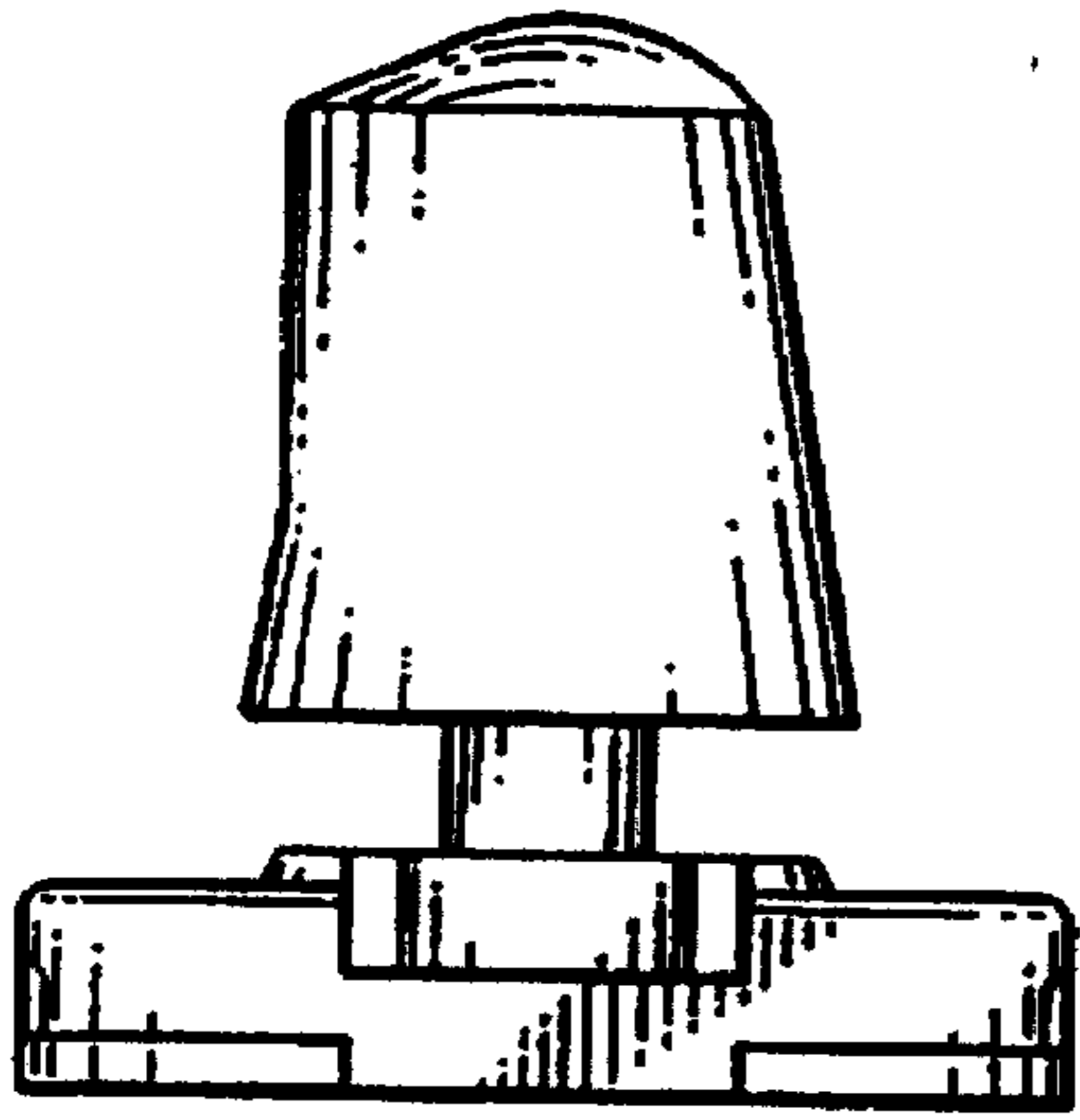


FIG. 4

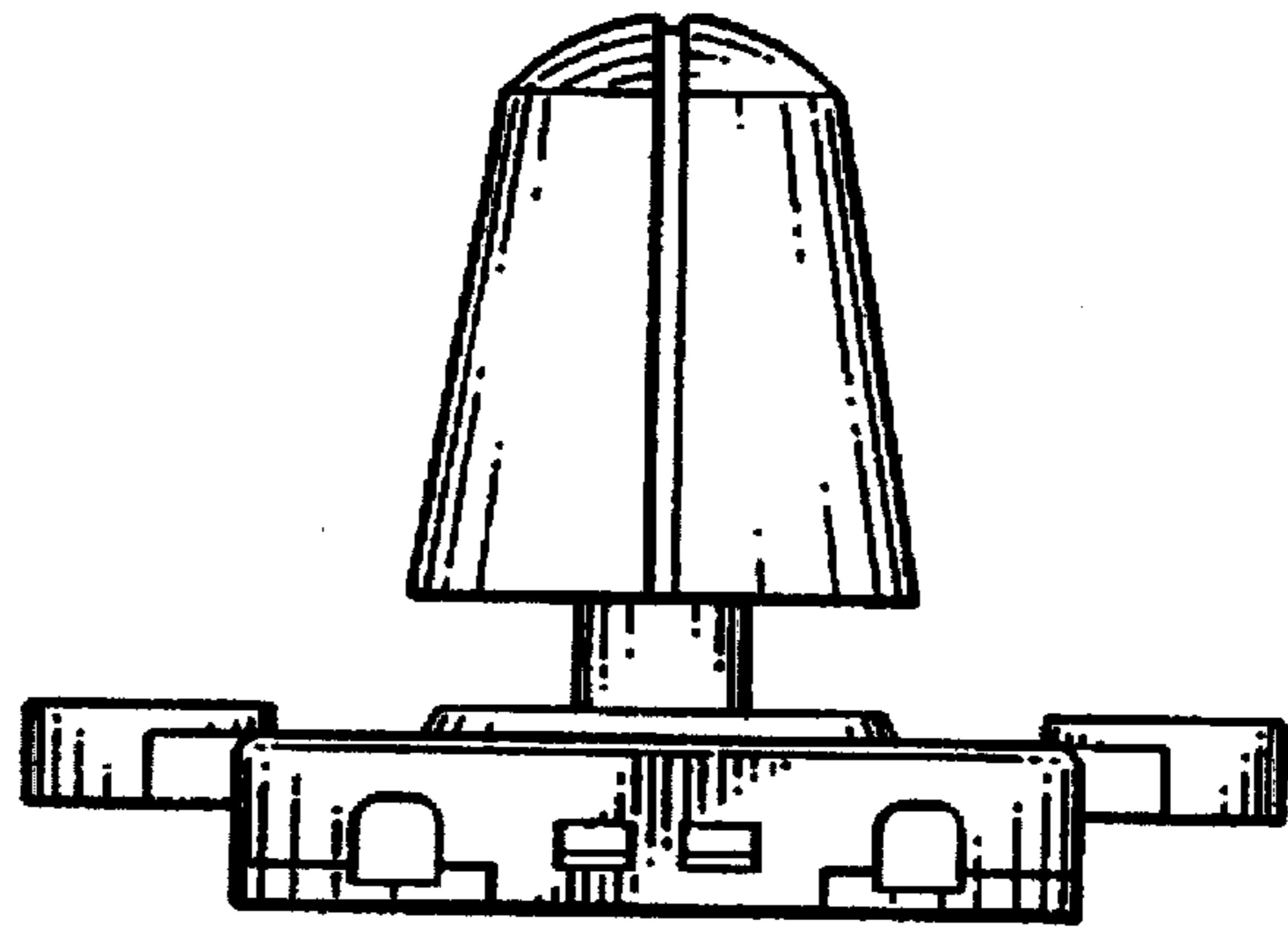


FIG. 3

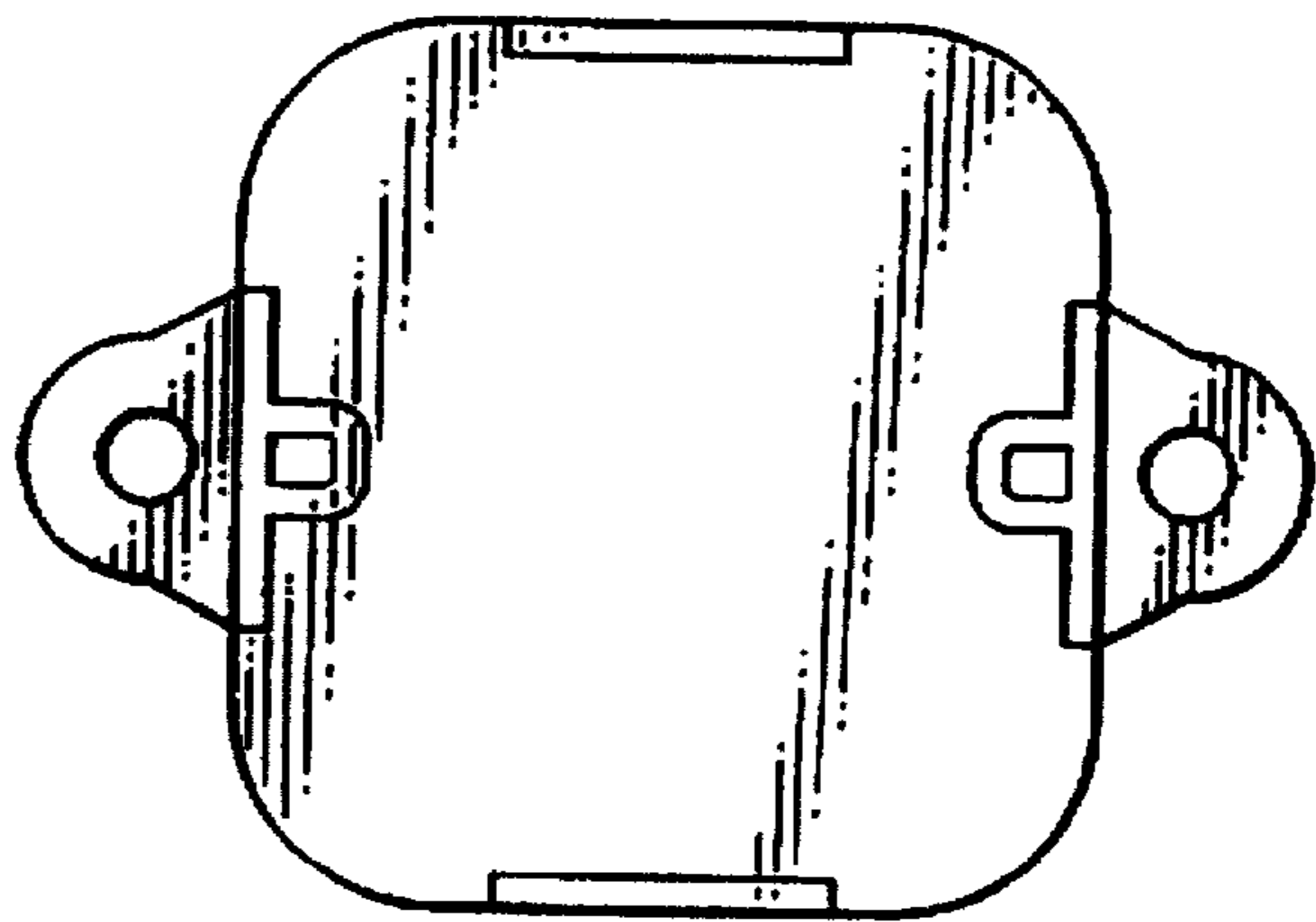


FIG. 7