



US00D387330S

United States Patent [19]
Danchulis

[11] **Patent Number:** **Des. 387,330**

[45] **Date of Patent:** ****Dec. 9, 1997**

[54] **SWITCH PLATE FOR DOORS**

[76] **Inventor:** **James E. Danchulis**, 244 Sunset Dr.,
Pittsburgh, Pa. 15235

[**] **Term:** **14 Years**

[21] **Appl. No.:** **52,382**

[22] **Filed:** **Mar. 28, 1996**

[51] **LOC (6) Cl.** **13-03**

[52] **U.S. Cl.** **D13/158; D8/353**

[58] **Field of Search** **D13/154, 158,**
D13/177, 162; D8/352, 353; 174/55, 66;
220/241, 242

[56] **References Cited**

U.S. PATENT DOCUMENTS

D. 270,995	10/1983	Meyer	D13/156 X
D. 312,974	12/1990	Conner et al.	D13/162 X
D. 344,901	3/1994	Conforti	D13/162 X
D. 346,949	5/1994	Comerci et al.	D8/353
D. 348,825	7/1994	Below	D8/353
D. 359,725	6/1995	King, Sr.	D13/156
4,835,343	5/1989	Graef et al.	220/241 X
4,973,801	11/1990	Frick et al.	D13/158 X

Primary Examiner—James Gandy
Assistant Examiner—Cathron B. Matta

Attorney, Agent, or Firm—Arnold B. Silverman; Eckert
Seamans Cherin & Mellott, LLC

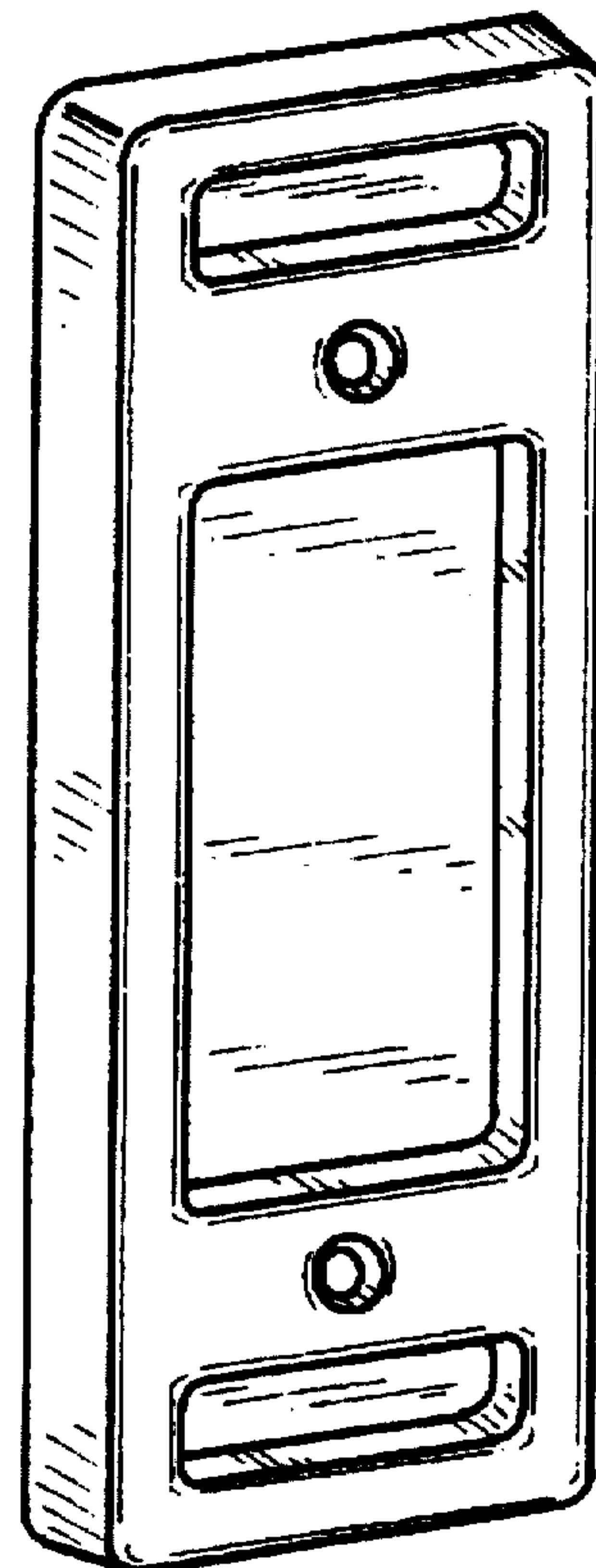
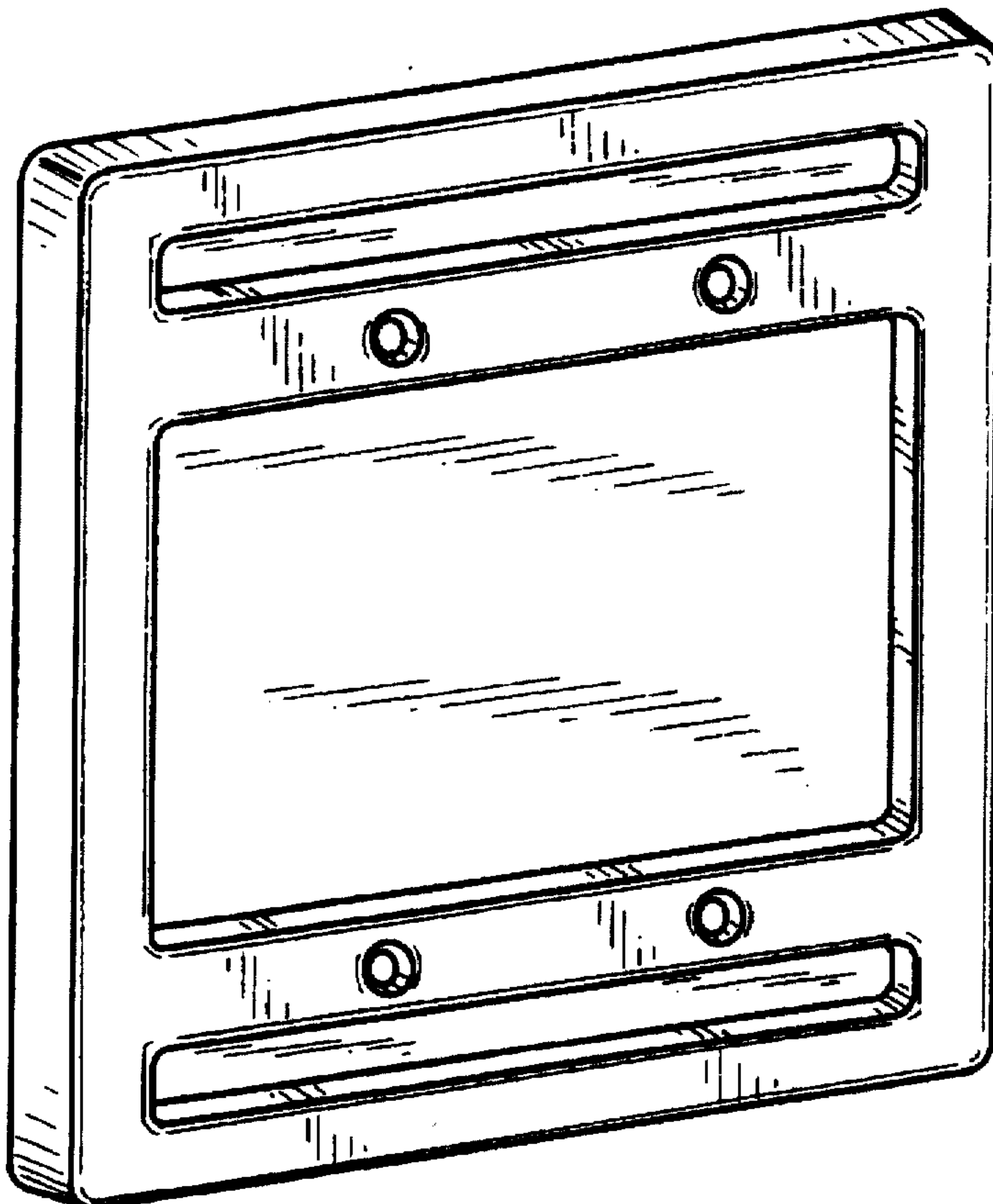
[57] **CLAIM**

The ornamental design for switch plate for doors, as shown
and described.

DESCRIPTION

FIG. 1 is a perspective view of the switch plate for doors of
the present invention;
FIG. 2 is a top plan view thereof;
FIG. 3 is a bottom plan view thereof;
FIG. 4 is a front elevational view thereof;
FIG. 5 is a rear elevational view thereof;
FIG. 6 is a right side elevation thereof;
FIG. 7 is a left side elevation thereof;
FIG. 8 is a perspective view of a rectangular embodiment of
the switch plate for doors of the present invention;
FIG. 9 is a top plan view thereof;
FIG. 10 is a bottom plan view thereof;
FIG. 11 is a front elevation thereof;
FIG. 12 is a rear elevation thereof;
FIG. 13 is a right side elevation thereof; and,
FIG. 14 is a left side elevation thereof.

1 Claim, 4 Drawing Sheets



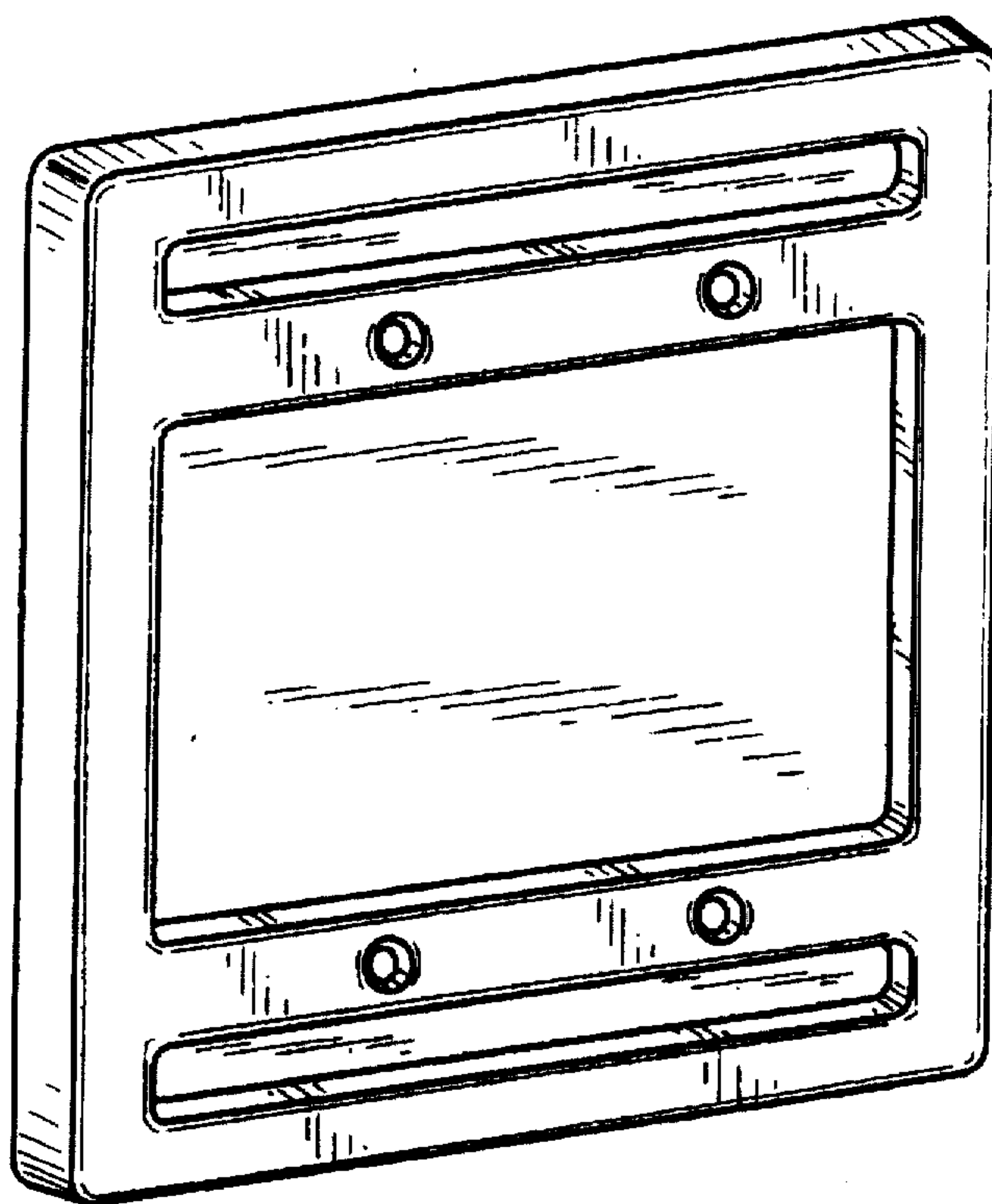


FIG. 1

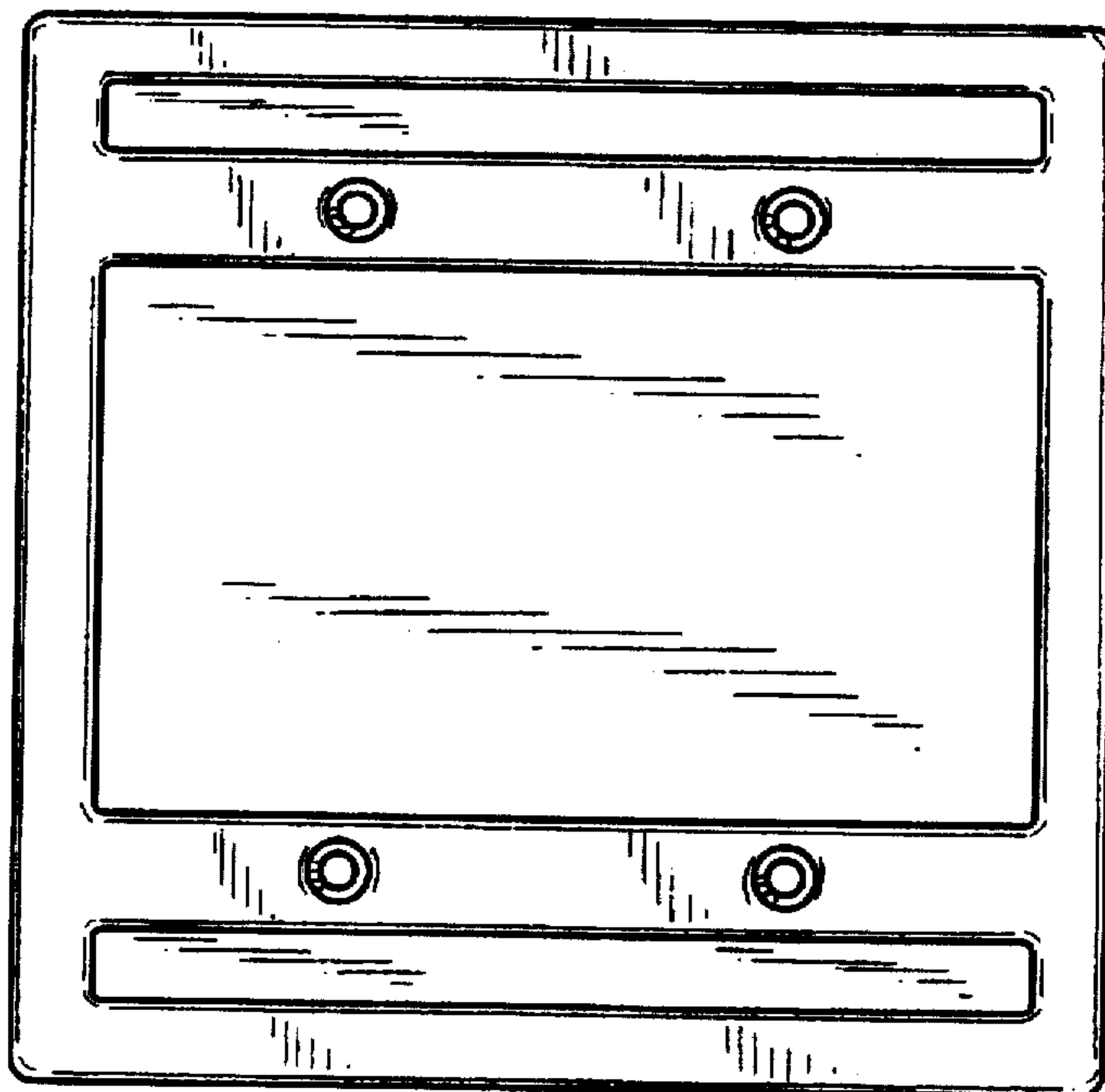


FIG. 2

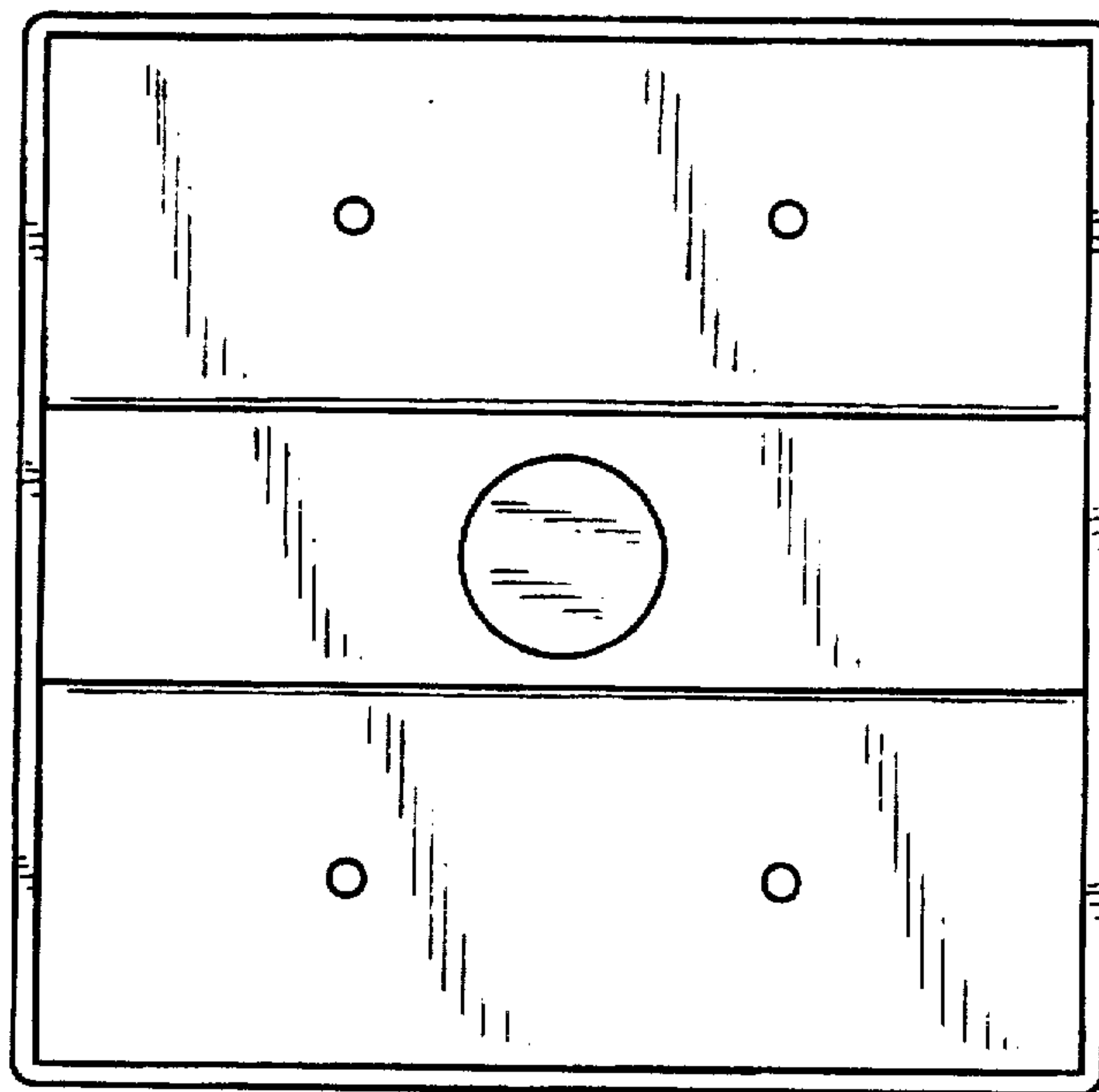


FIG. 3



FIG. 4



FIG. 5



FIG. 6

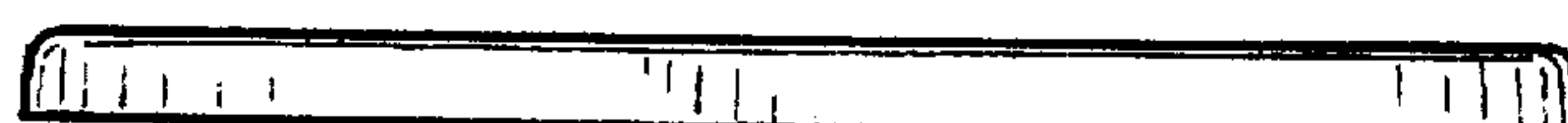


FIG. 7

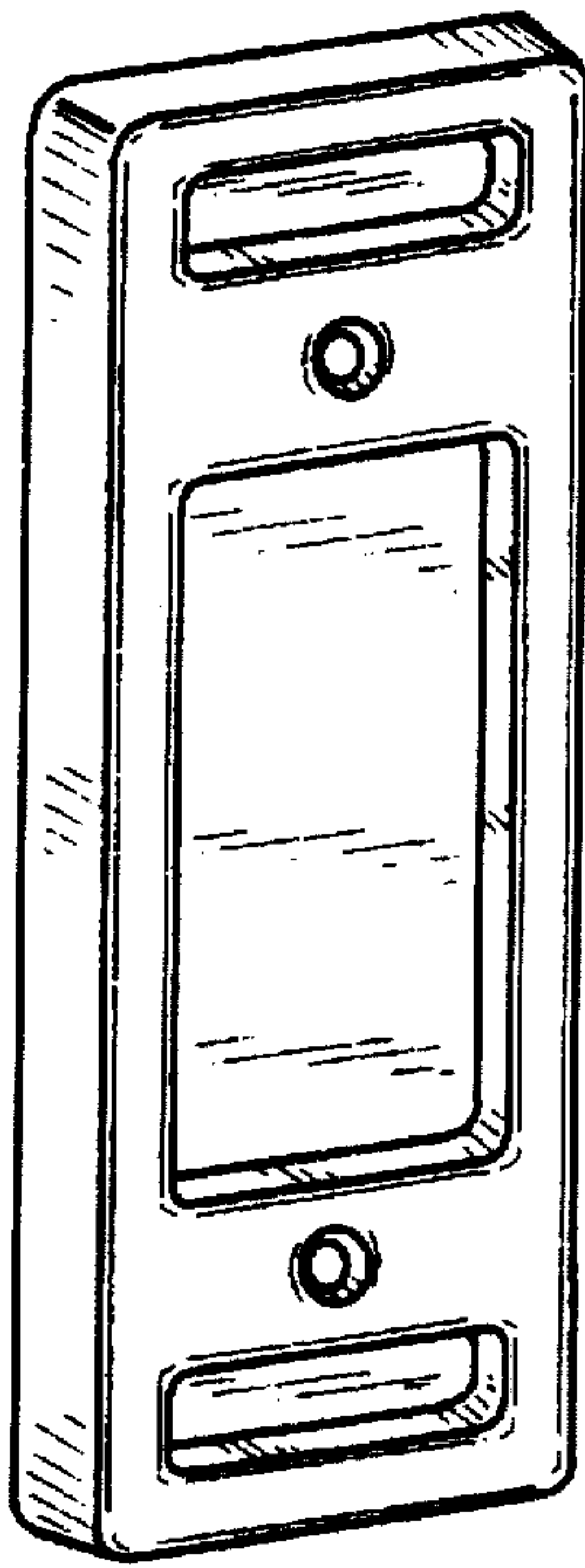


FIG. 8

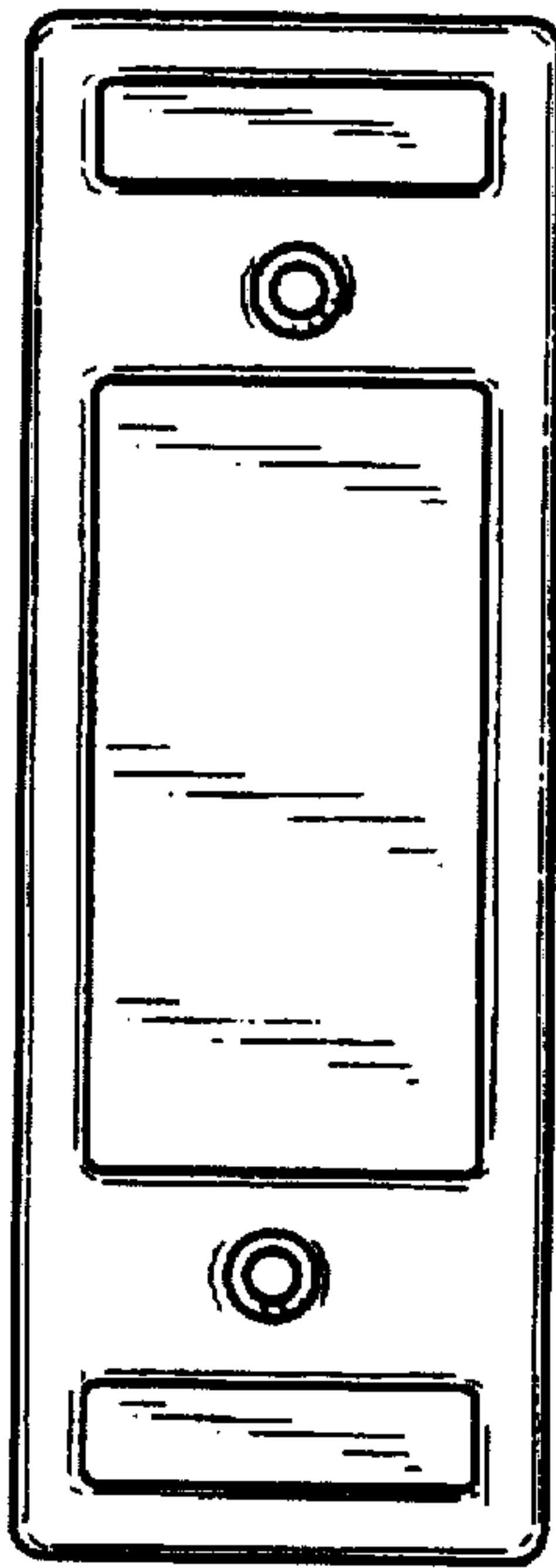


FIG. 9

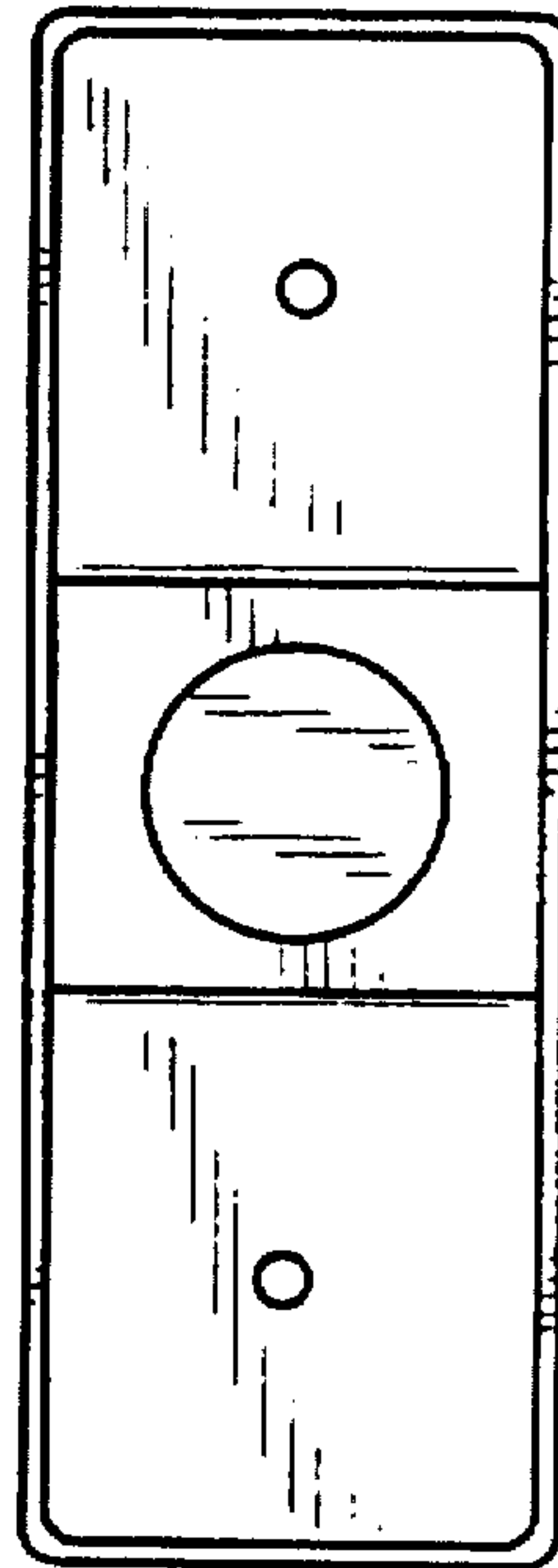


FIG. 10



FIG. 11

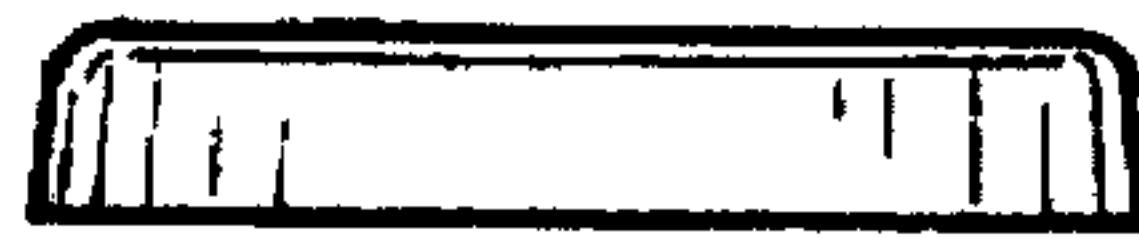


FIG. 12



FIG. 13



FIG. 14