



US00D387329S

United States Patent [19]

Jung et al.

[11] Patent Number: Des. 387,329

[45] Date of Patent: **Dec. 9, 1997

[54] **BATTERY PACK ADAPTER**

[75] Inventors: **Gregory M. Jung; Gregory R. Thune,**
both of Charlotte, N.C.

[73] Assignee: **Datasouth Computer Corporation,**
Charlotte, N.C.

[**] Term: **14 Years**

[21] Appl. No.: **57,630**

[22] Filed: **Jul. 29, 1996**

[51] LOC (6) Cl. **13-02**

[52] U.S. Cl. **D13/119; D13/103**

[58] Field of Search **D13/119, 103;**
429/96-100, 163, 176

[56] **References Cited**

U.S. PATENT DOCUMENTS

D. 328,733	8/1992	Seymour	D13/103
D. 375,482	11/1996	Andrews	D13/103
5,391,972	2/1995	Gardner et al.	429/99 X
5,401,592	3/1995	Gilpin et al.	429/97
5,415,955	5/1995	Kobayashi et al.	429/97

Primary Examiner—Joel Sincavage

Attorney, Agent, or Firm—Bell, Seltzer, Park & Gibson,
P.A.

[57] **CLAIM**

The ornamental design for a battery pack adapter, as shown
and described.

DESCRIPTION

FIG. 1 is a front perspective view of a first embodiment of
a battery pack adapter embodying our new design;

FIG. 2 is a rear perspective view of the first embodiment of
a battery pack adapter taken from the side opposite that
illustrated in FIG. 1;

FIG. 3 is a bottom plan view of the first embodiment of a
battery pack adapter taken from the side illustrated in FIG.
1;

FIG. 4 is a side elevational view of the first embodiment of
a battery pack adapter taken from the side illustrated in FIG.
1;

FIG. 5 is a side elevational view of the first embodiment of
a battery pack adapter taken from the side opposite that
illustrated in FIG. 4;

FIG. 6 is an end elevational view of the first embodiment of
a battery pack adapter taken from the end illustrated in FIG.
1;

FIG. 7 is an end elevational view of the first embodiment of
a battery pack adapter taken from the end opposite that
illustrated in FIG. 6;

FIG. 8 is a top plan view of the first embodiment of a battery
pack adapter taken from the side opposite that illustrated in
FIG. 3;

FIG. 9 is a front perspective view of a second embodiment
of a battery pack adapter embodying our new design;

FIG. 10 is a rear perspective view of the second embodiment
of a battery pack adapter taken from the side opposite that
illustrated in FIG. 9;

FIG. 11 is a bottom plan view of the second embodiment of
a battery pack adapter taken from the side illustrated in FIG.
9;

FIG. 12 is a side elevational view of the second embodiment
of a battery pack adapter taken from the side illustrated in
FIG. 9;

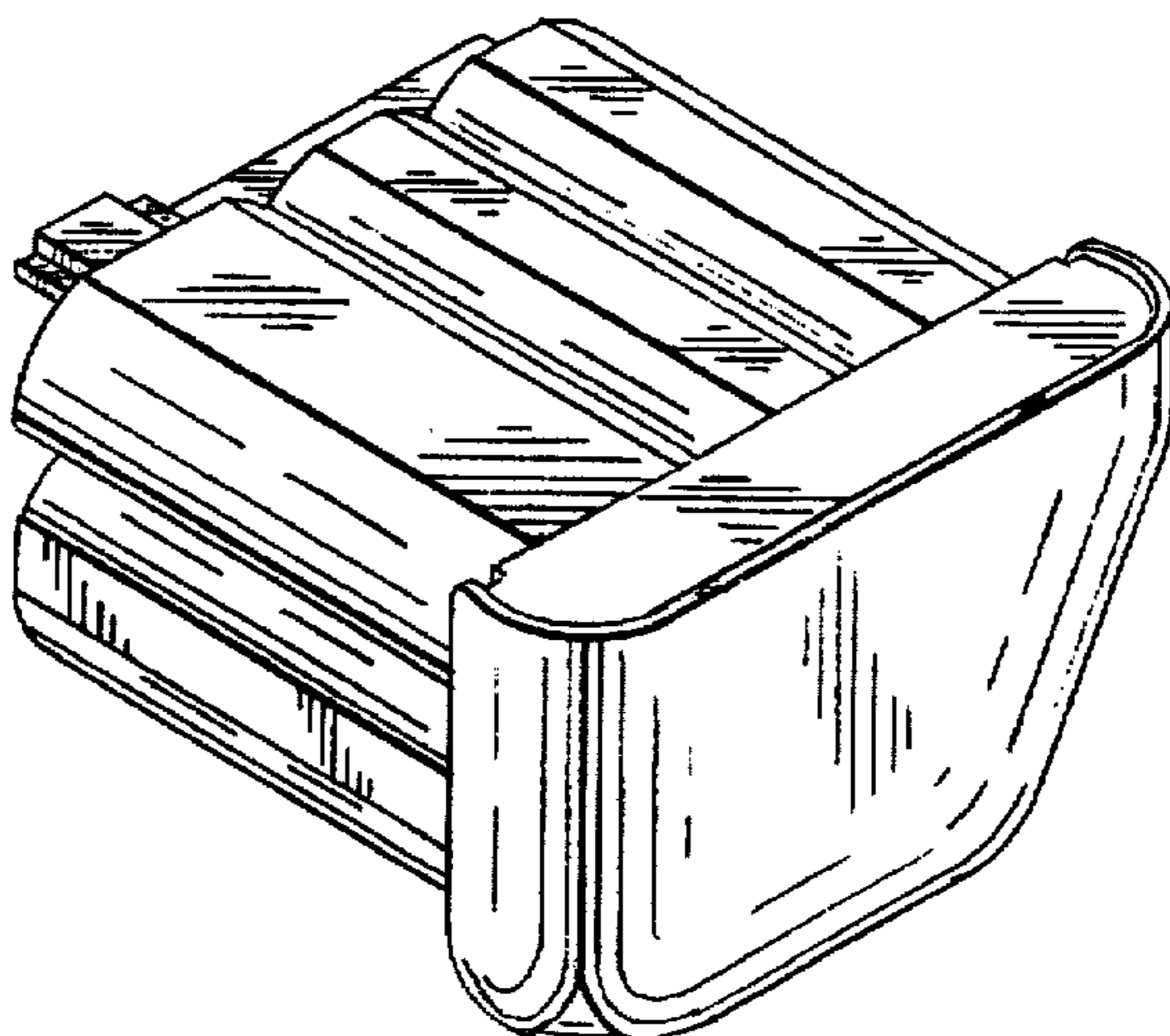
FIG. 13 is a side elevational view of the second embodiment
of a battery pack adapter taken from the side opposite that
illustrated in FIG. 12;

FIG. 14 is an end elevational view of the second embodi-
ment of a battery pack adapter taken from the end illustrated
in FIG. 9;

FIG. 15 is an end elevational view of the second embodi-
ment of a battery pack adapter taken from the end opposite
that illustrated in FIG. 14; and,

FIG. 16 is a top plan view of the second embodiment of a
battery pack adapter taken from the side opposite that
illustrated in FIG. 11.

1 Claim, 4 Drawing Sheets



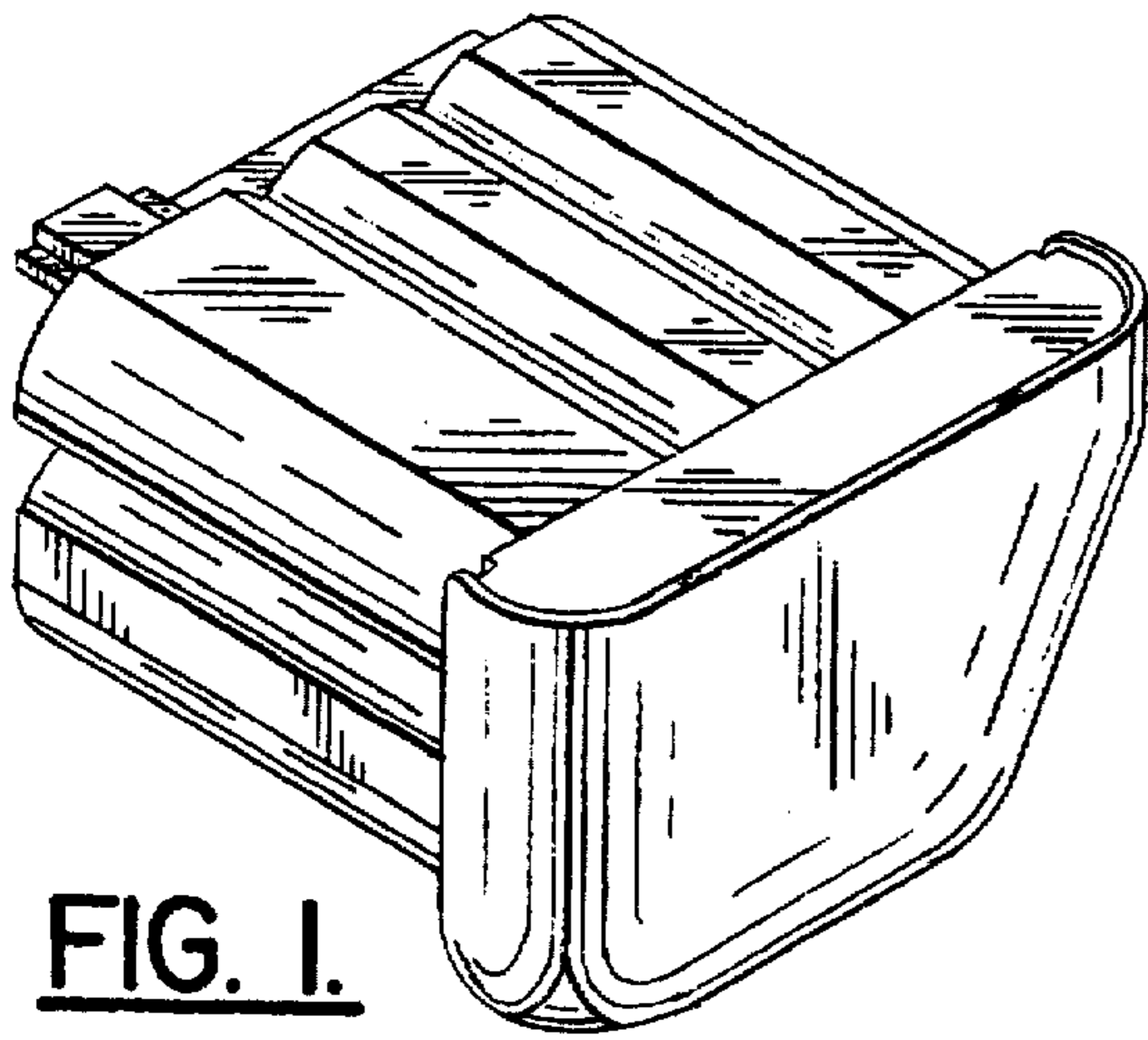


FIG. 1.

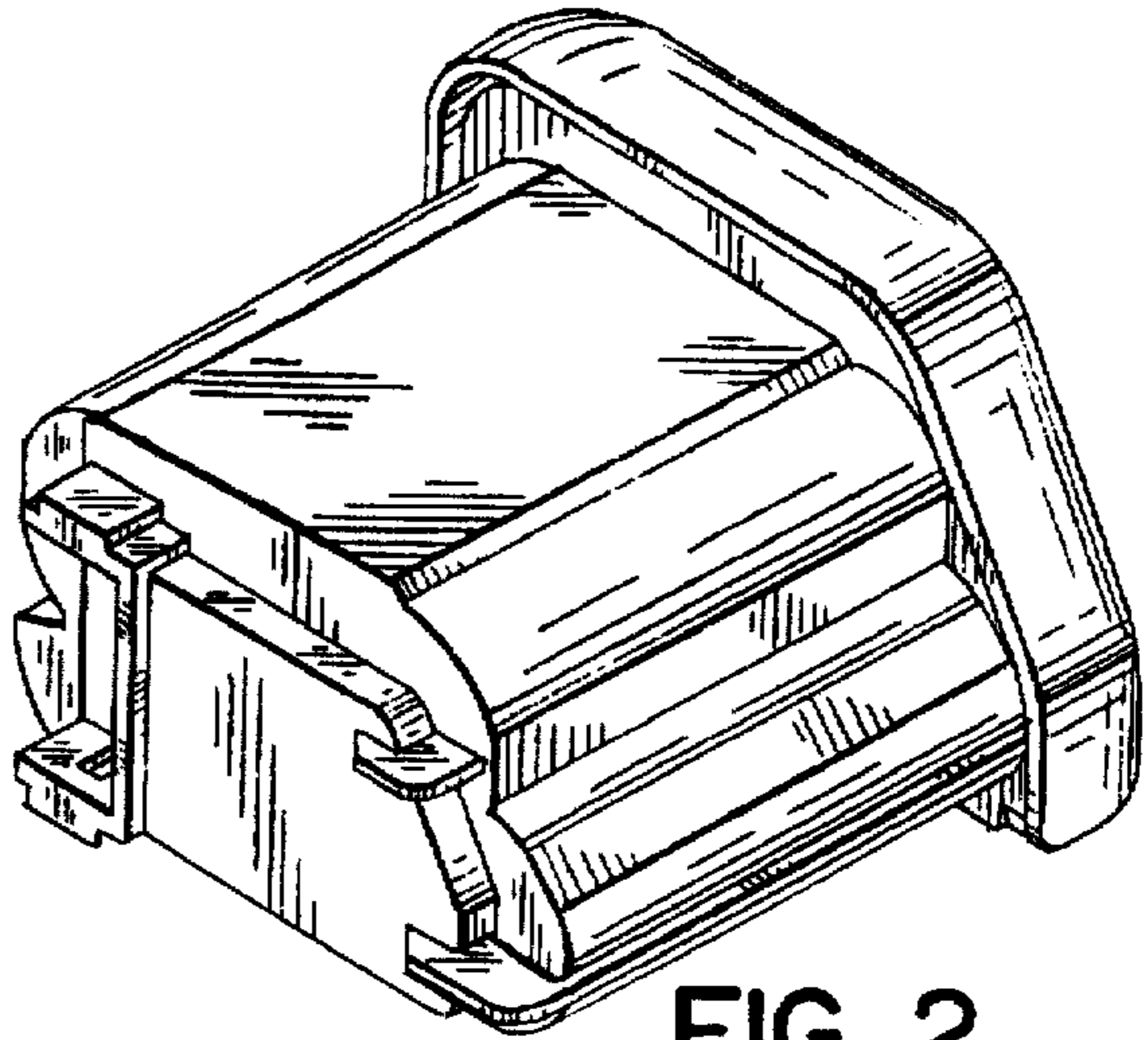


FIG. 2.

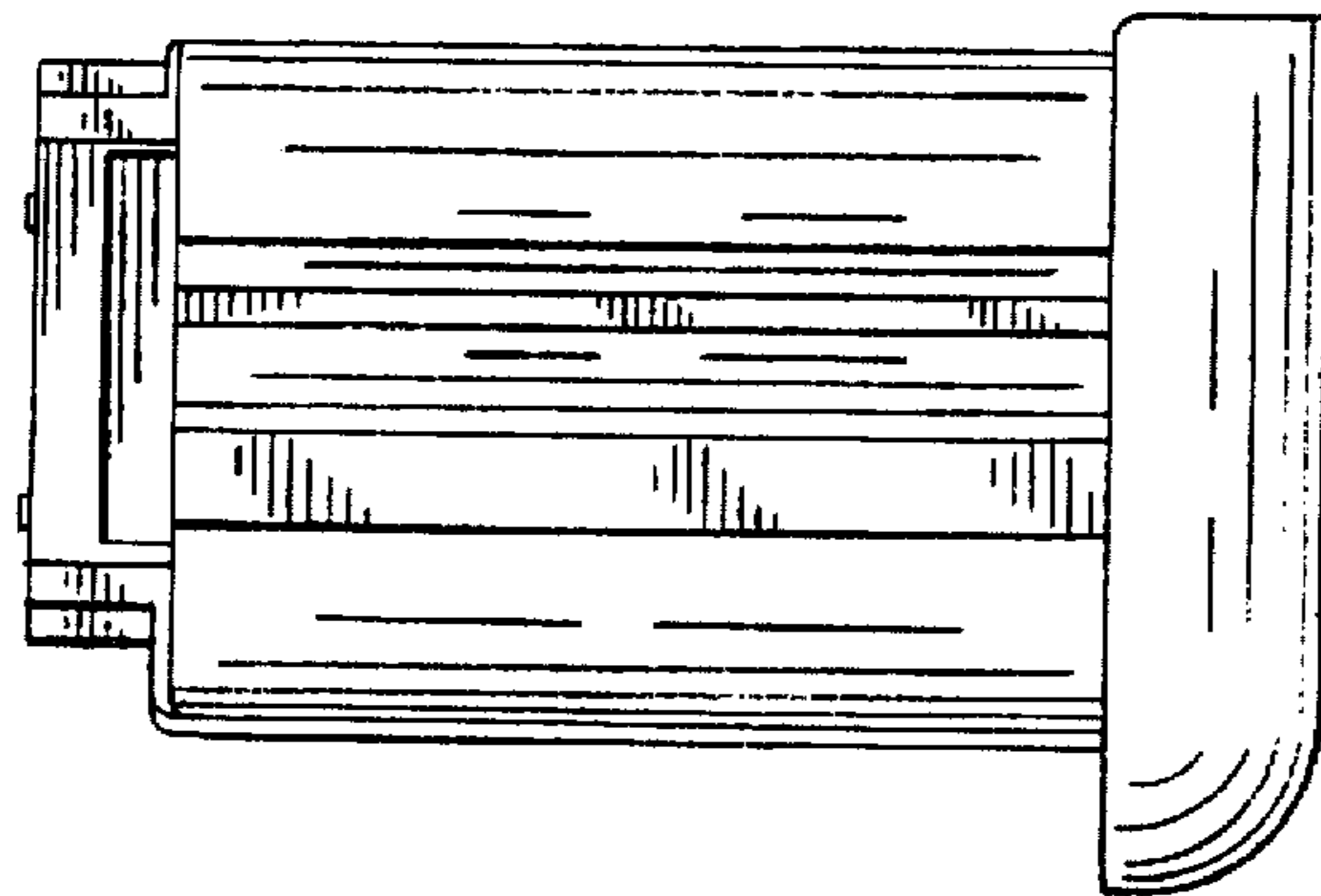


FIG. 3.

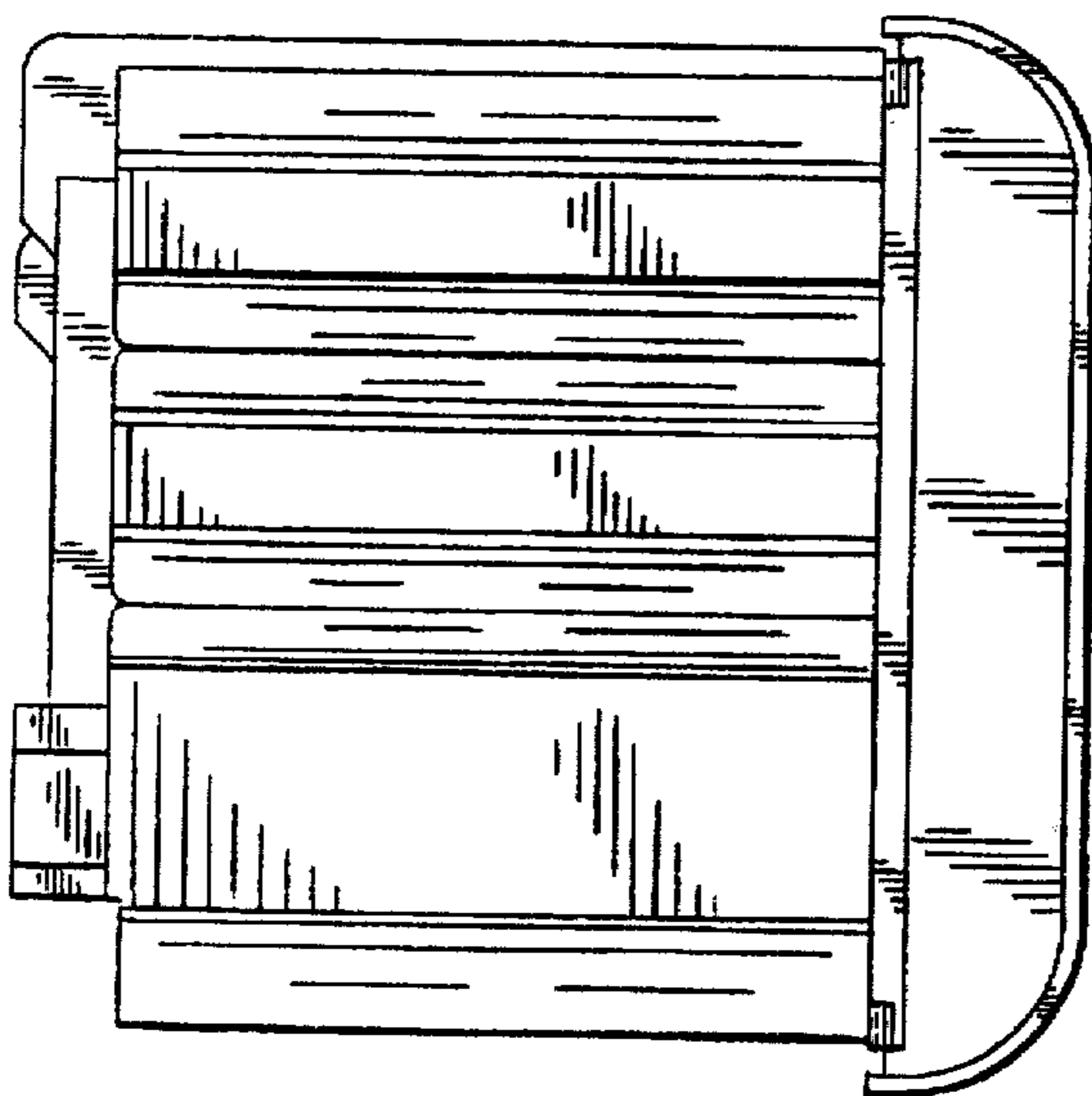


FIG. 4.

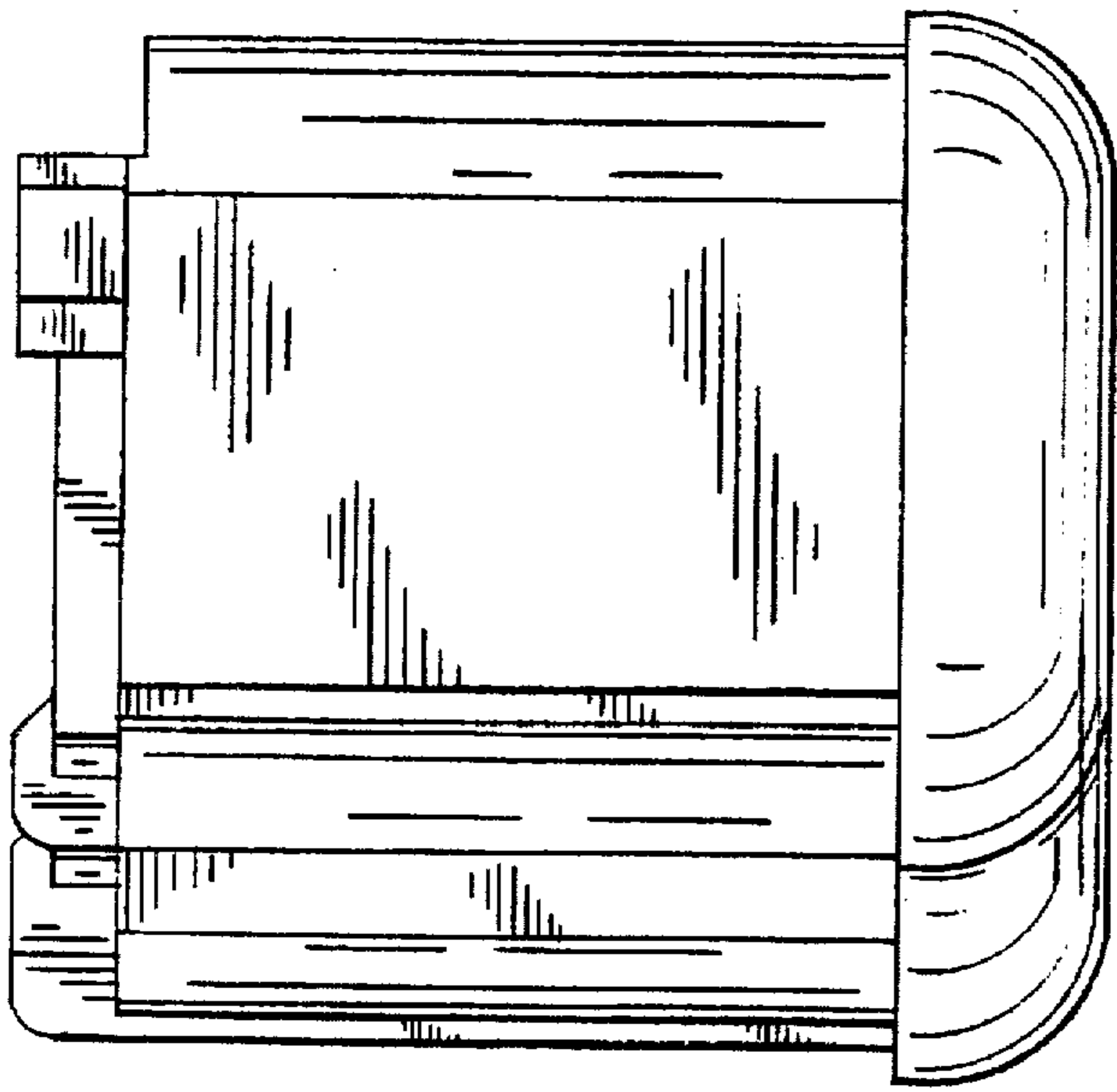


FIG. 5.

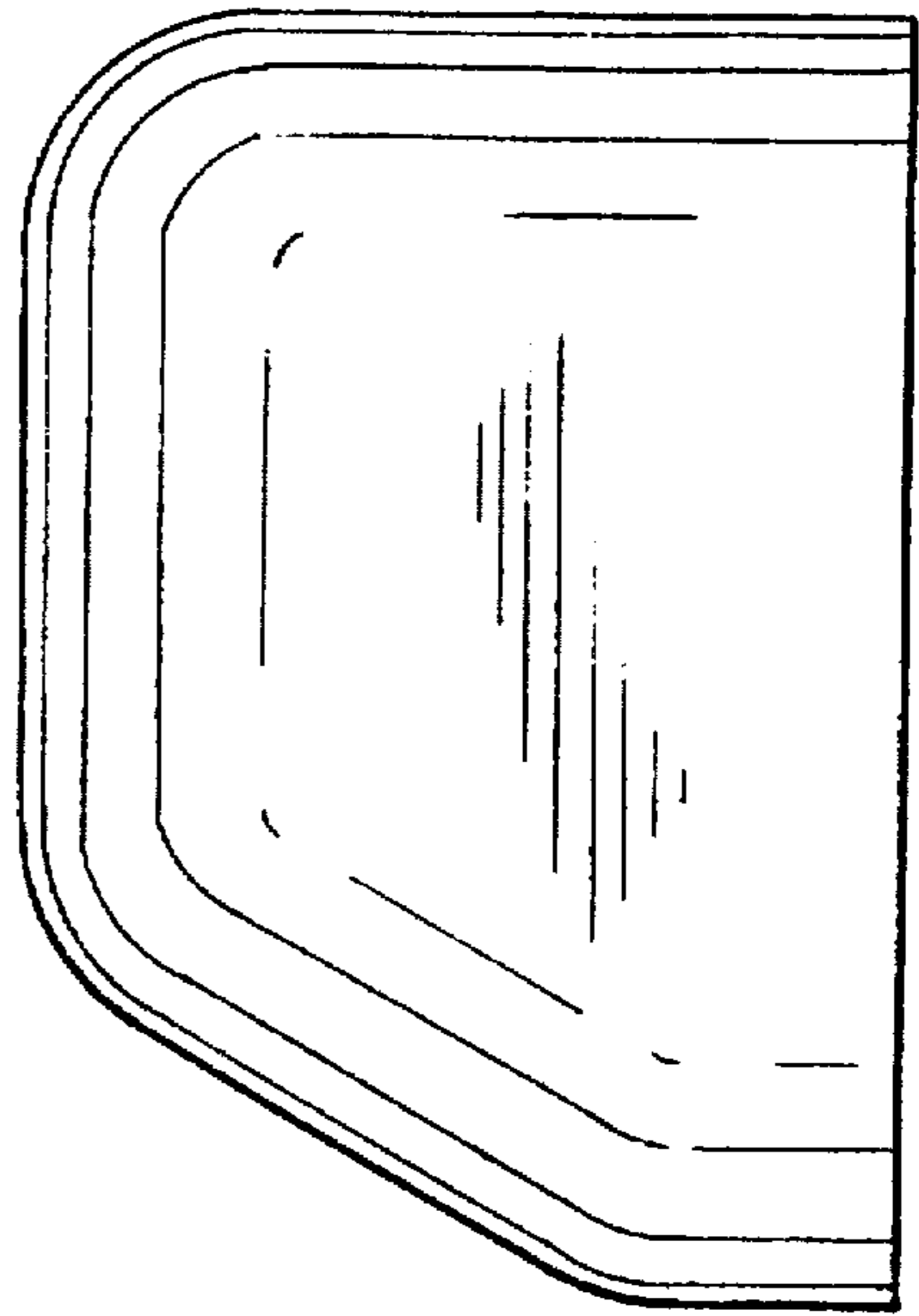


FIG. 6.

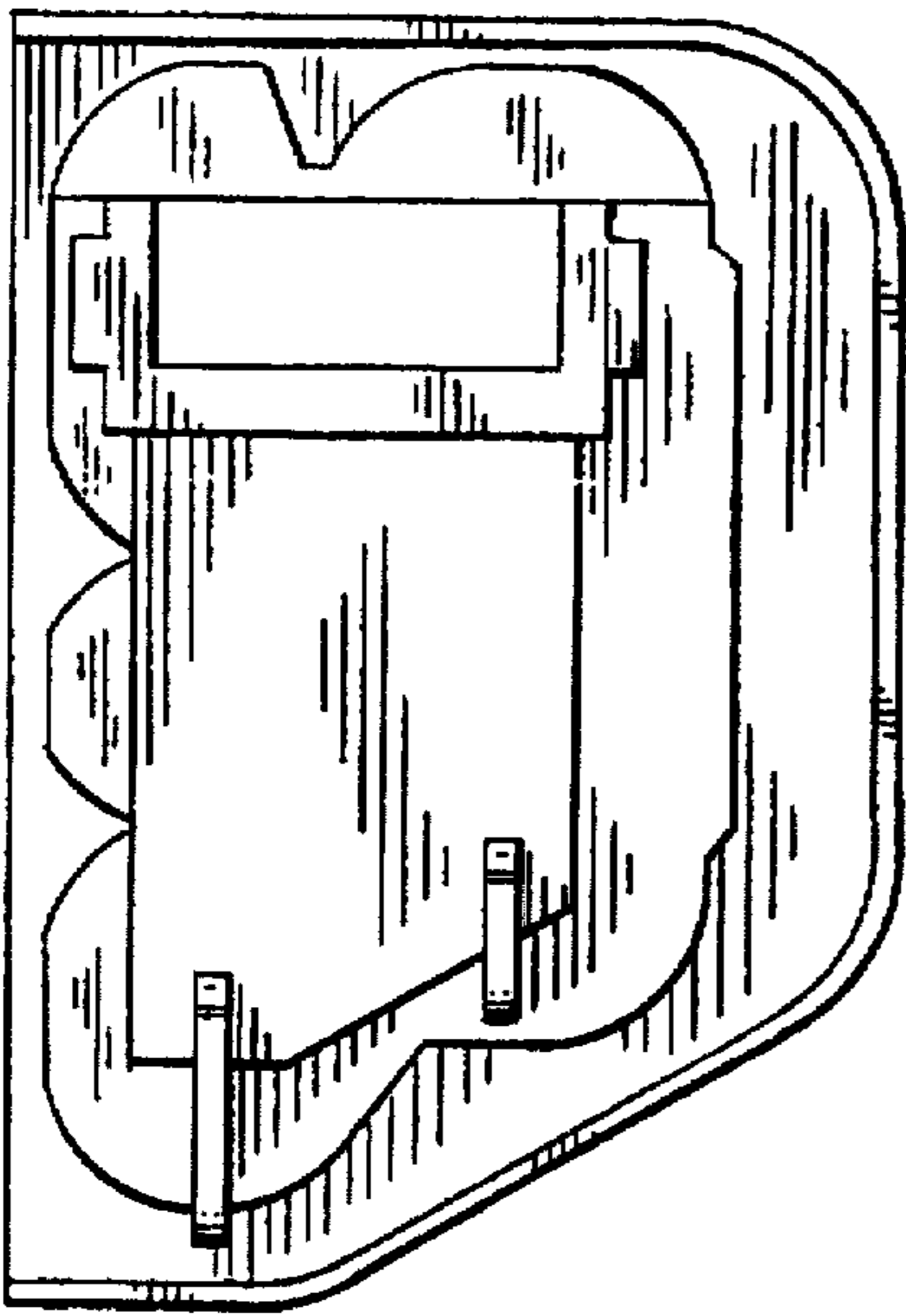
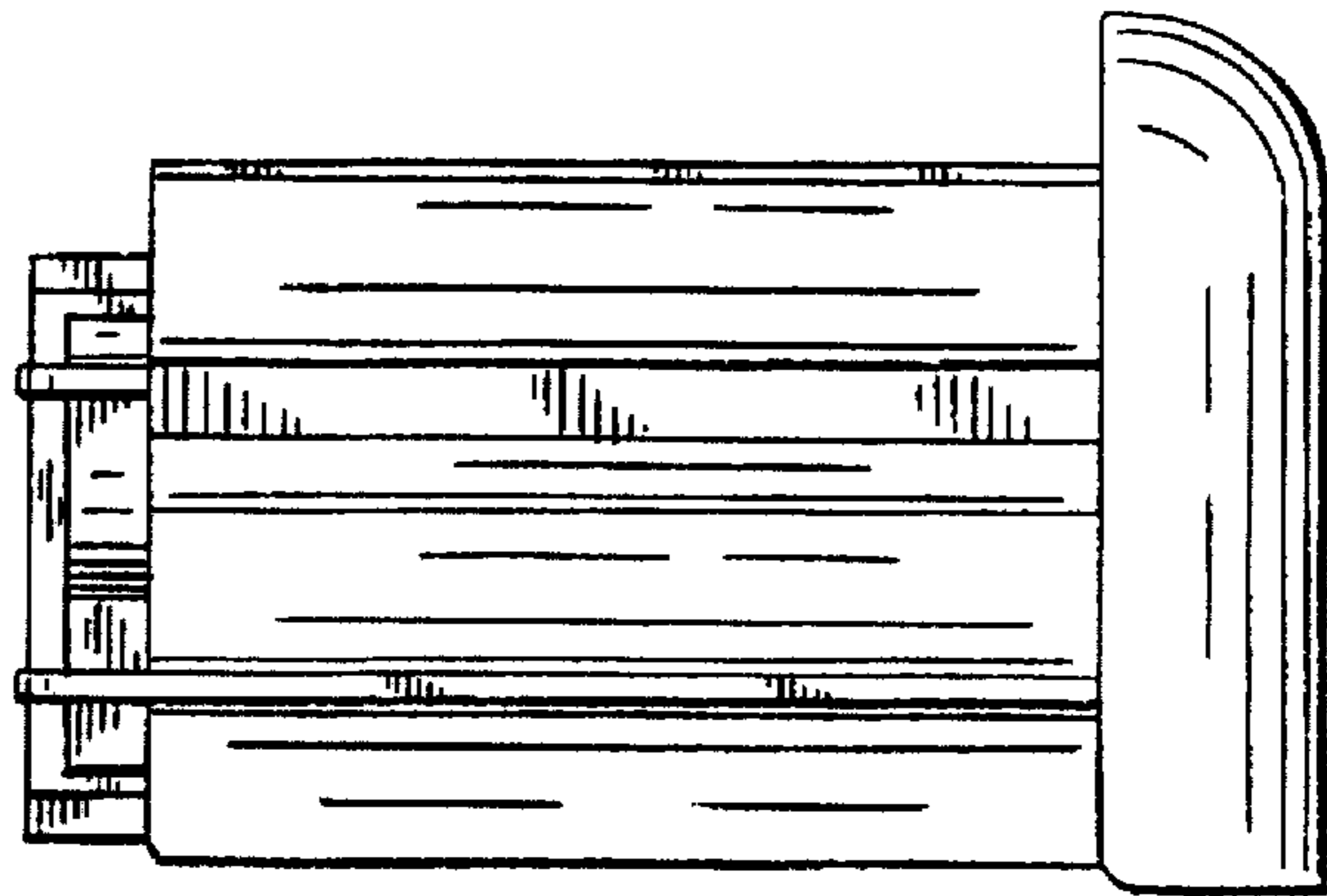


FIG. 7.

FIG. 8.



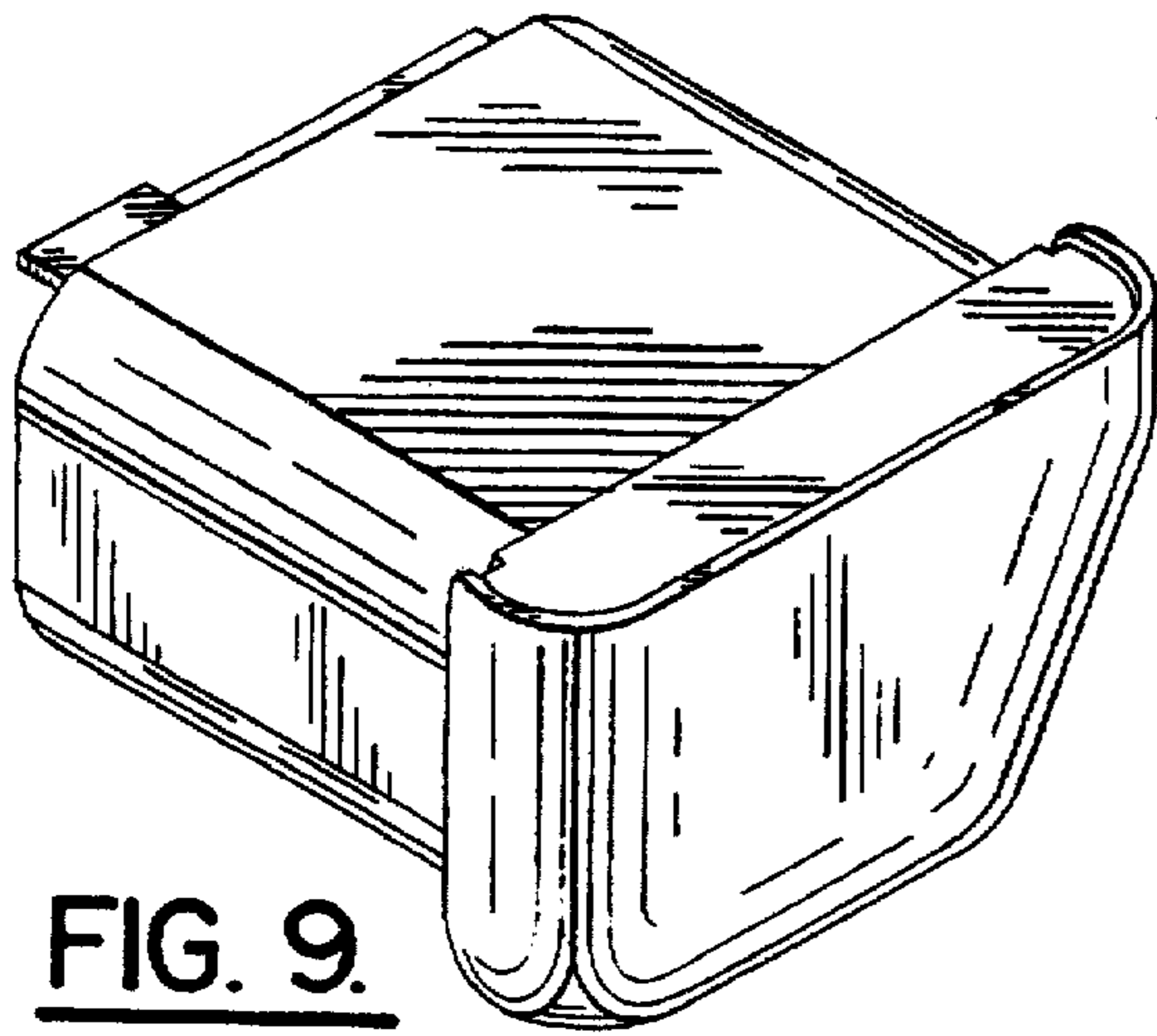


FIG. 9.

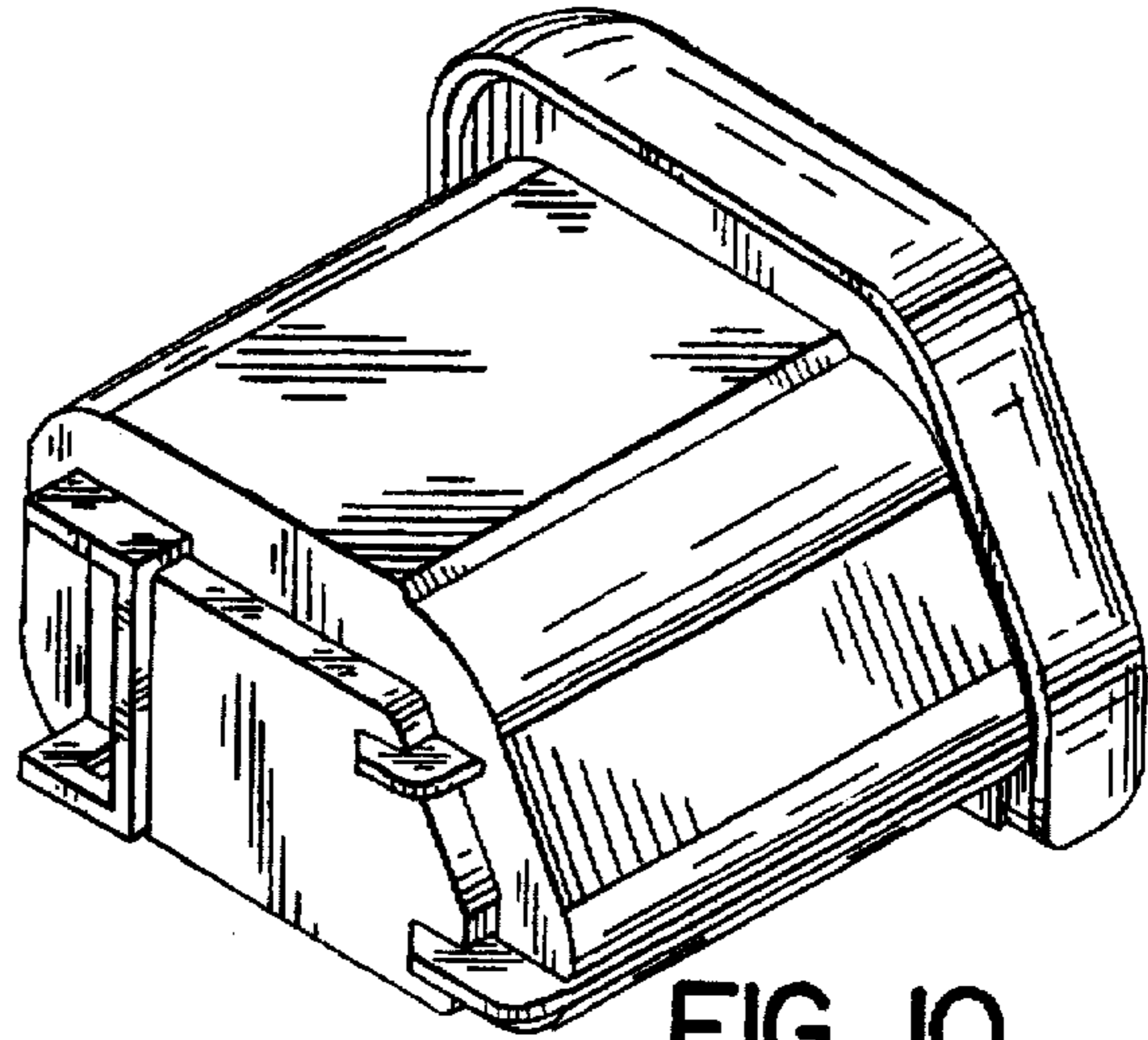


FIG. 10.

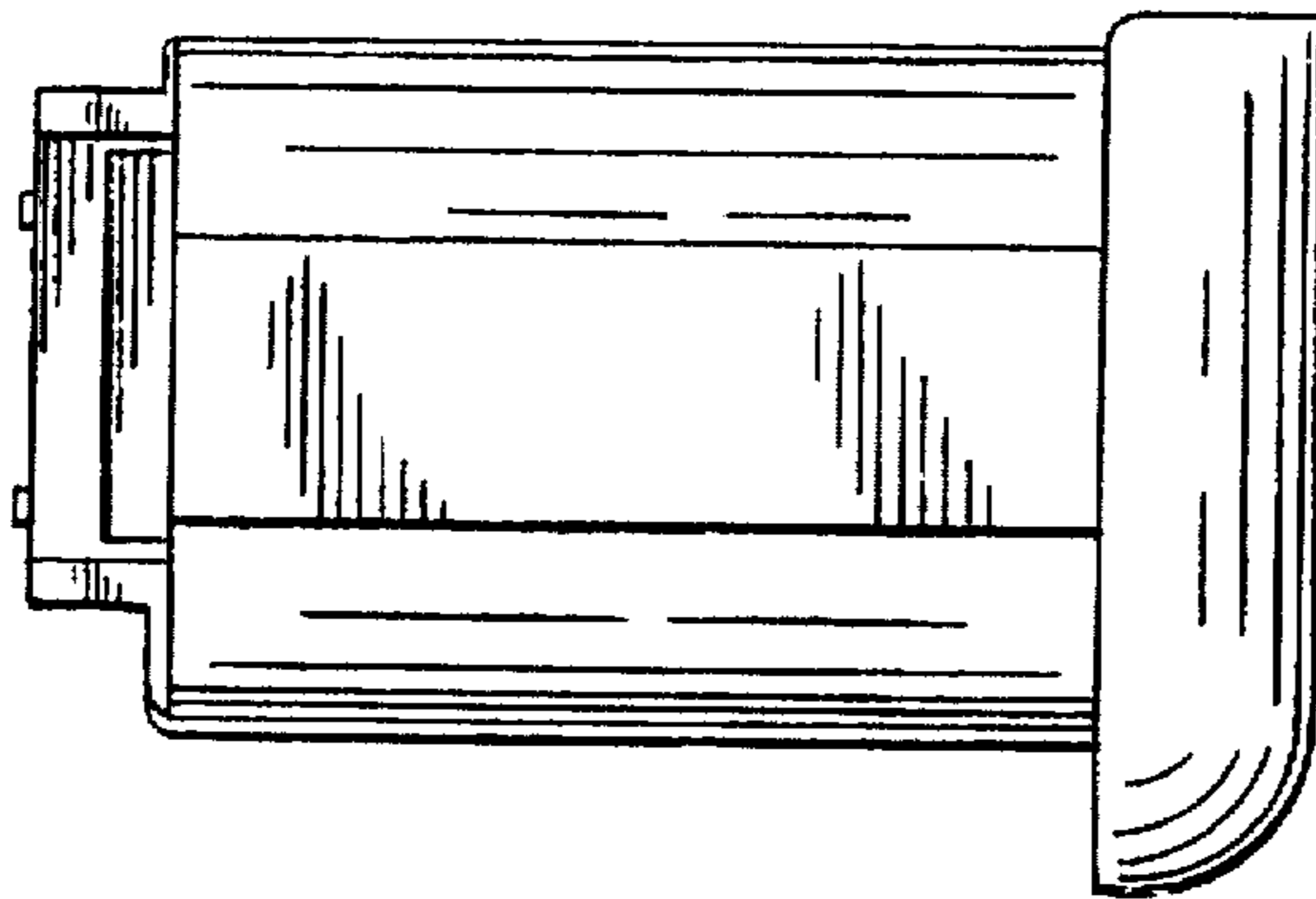


FIG. 11.

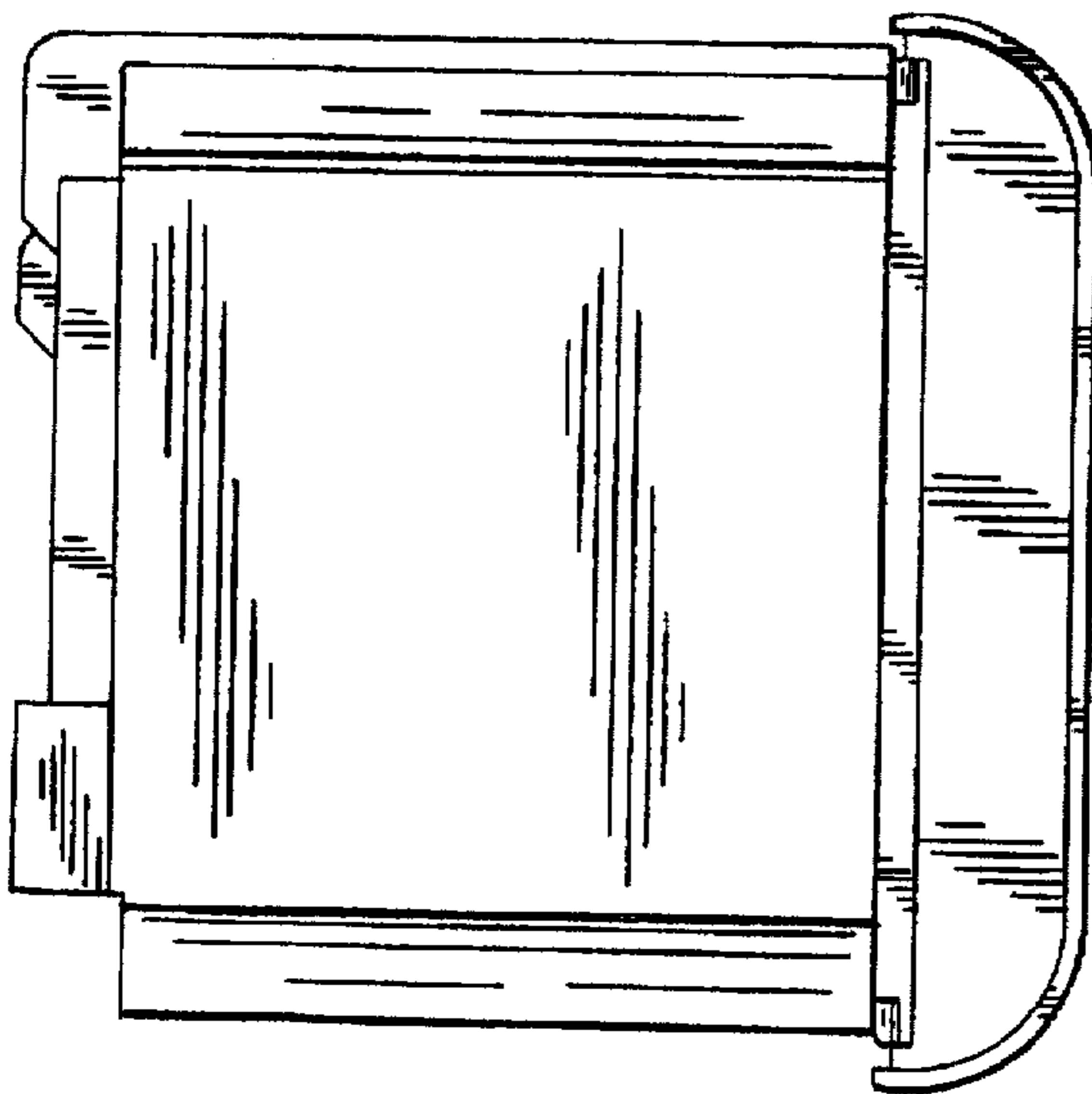


FIG. 12.

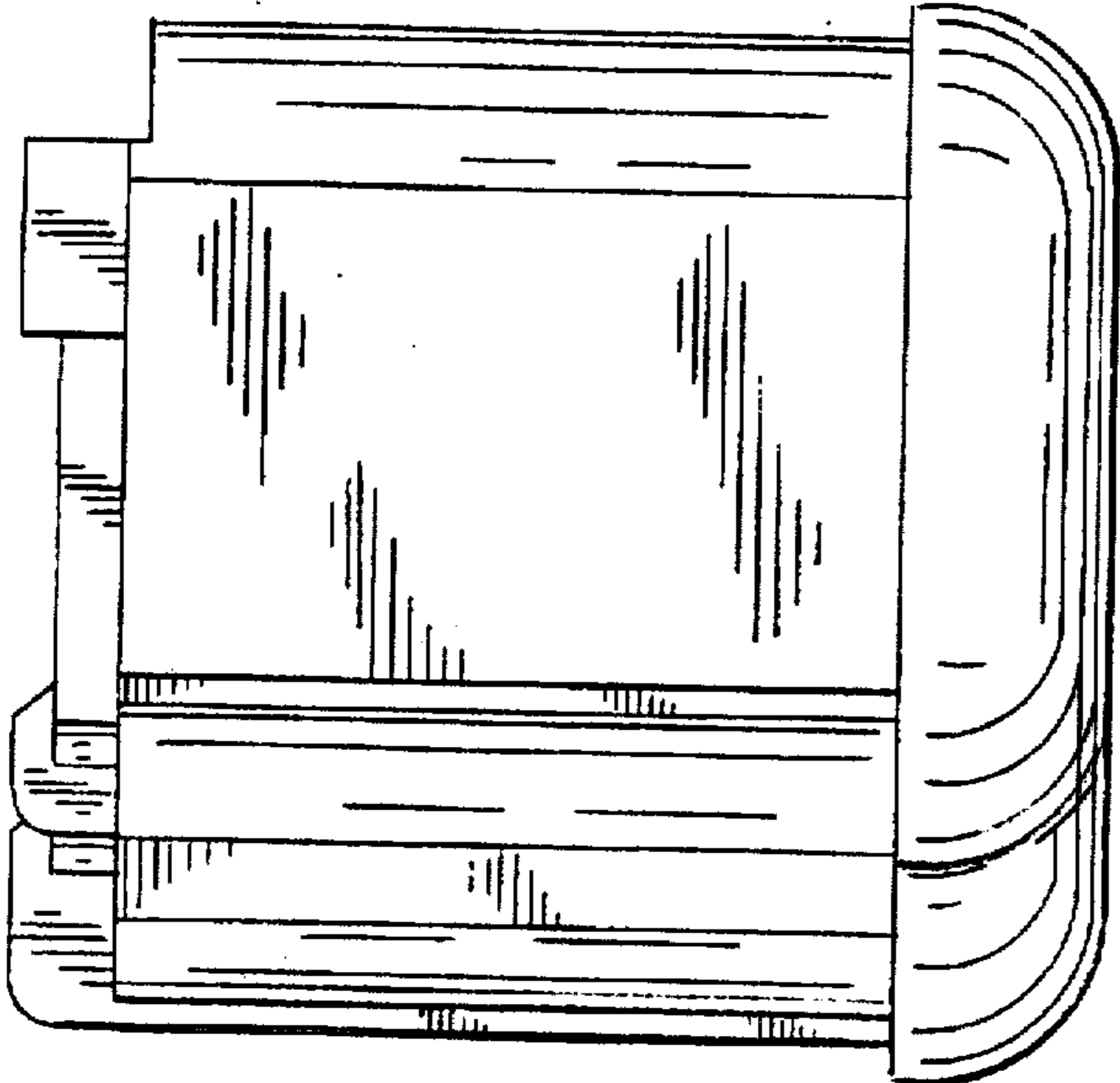


FIG. 13.

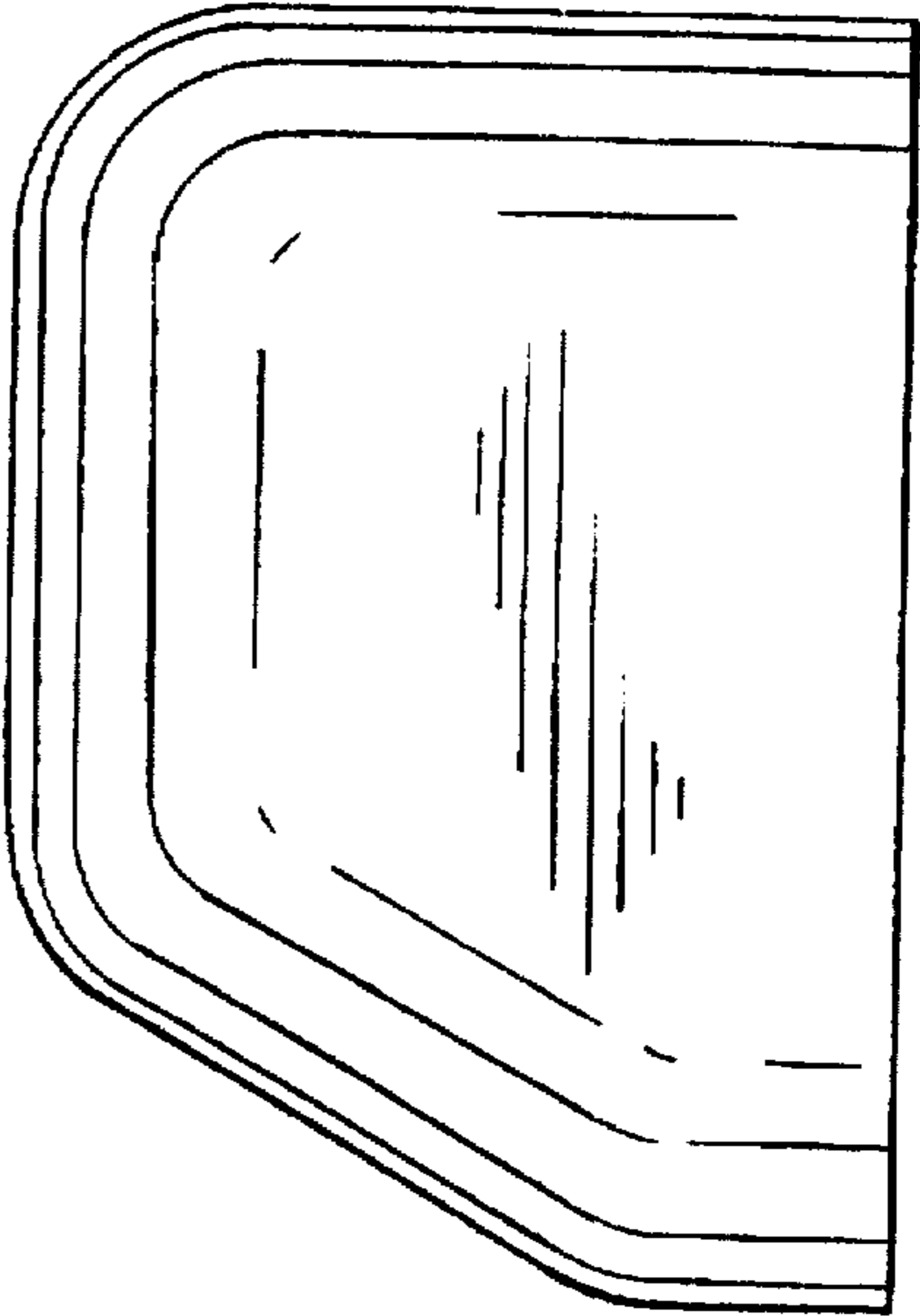


FIG. 14.

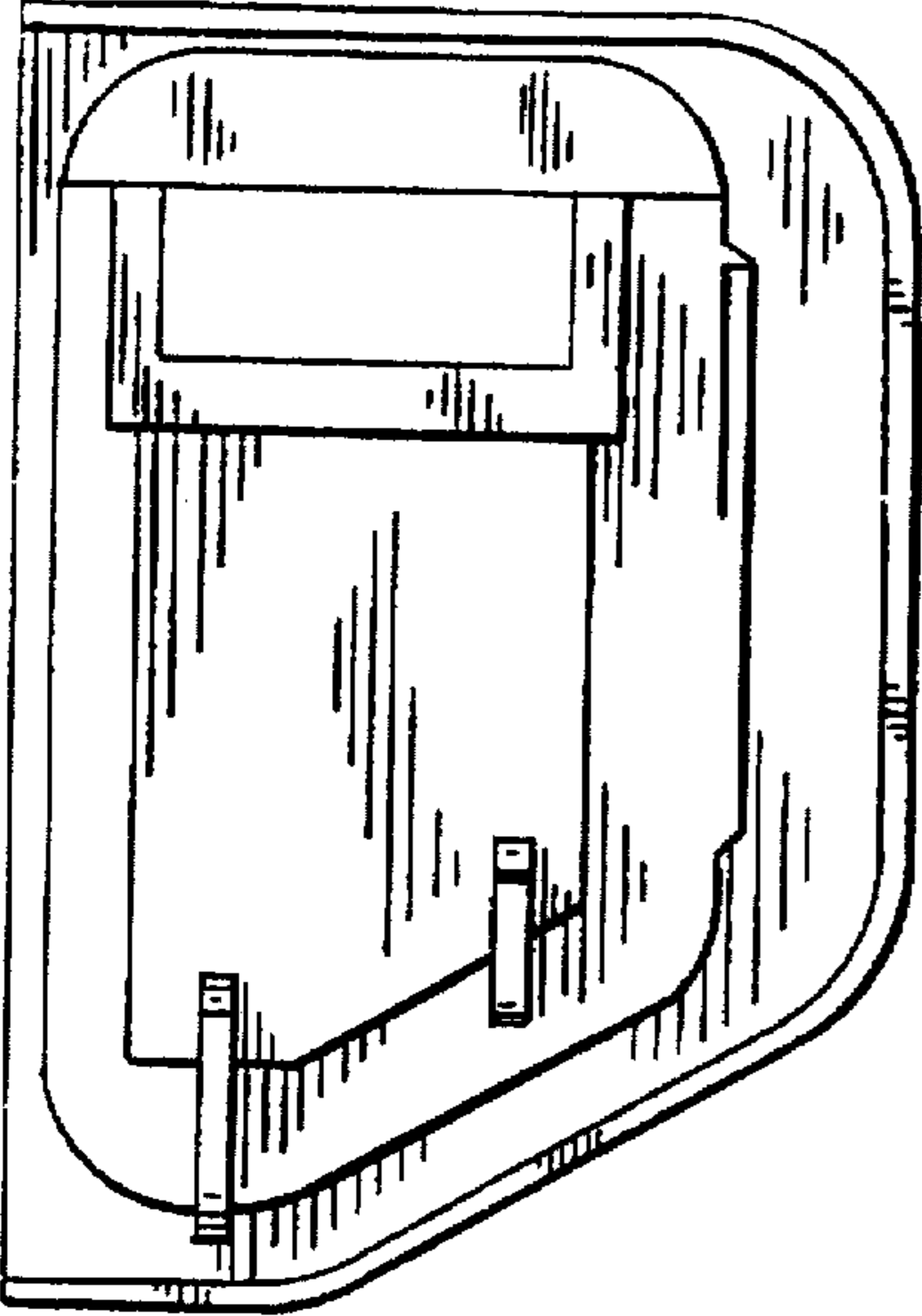


FIG. 15.

FIG. 16.

