



US00D387307S

United States Patent [19]
Matoba

[11] **Patent Number: Des. 387,307**
[45] **Date of Patent: **Dec. 9, 1997**

[54] **BUCKLE**

[75] **Inventor: Hiroshi Matoba, Toyama, Japan**

[73] **Assignee: YKK Corporation, Japan**

[**] **Term: 14 Years**

[21] **Appl. No.: 56,886**

[22] **Filed: Jul. 11, 1996**

[30] **Foreign Application Priority Data**

Jan. 12, 1996 [JP] Japan 8-548

[51] **LOC (6) Cl. 03-01**

[52] **U.S. Cl. D11/218**

[58] **Field of Search D11/200, 201,
D11/215-218, 231, 234; 24/196, 616, 625,
650**

[56] **References Cited**

U.S. PATENT DOCUMENTS

D. 340,886 11/1993 Ansher D11/218

D. 360,390 7/1995 Murai D11/200

5,148,582 9/1992 Dennis, Jr. 24/625

Primary Examiner—Ralf Seifert

Attorney, Agent, or Firm—Hill, Steadman & Simpson

[57] **CLAIM**

The ornamental design for buckle, as shown.

DESCRIPTION

FIG. 1 is a front view of a buckle;

FIG. 2 is a rear view of the buckle of FIG. 1;

FIG. 3 is a plan view of the buckle of FIG. 1;

FIG. 4 is a base view of the buckle of FIG. 1;

FIG. 5 is a right side view of the buckle of FIG. 1;

FIG. 6 is a cross-sectional view taken on line A—A of FIG. 5;

FIG. 7 is a front view of a male member of the buckle of FIG. 1;

FIG. 8 is a plan view of the male member of FIG. 7;

FIG. 9 is a base view of the male member of FIG. 7;

FIG. 10 is a right side view of the male member of FIG. 7;

FIG. 11 is a cross-sectional view taken on line B—B of FIG. 7;

FIG. 12 is a cross-sectional view taken on line C—C of FIG. 7;

FIG. 13 is a front view of a female member of the buckle of FIG. 1;

FIG. 14 is a rear view of the female member of FIG. 13;

FIG. 15 is a plan view of the female member of FIG. 13;

FIG. 16 is a base view of the female member of FIG. 13;

FIG. 17 is a right side view of the female member of FIG. 13;

FIG. 18 is a cross-sectional view taken on line D—D of FIG. 17;

FIG. 19 is a front view showing the buckle attached to a belt or the like; and,

FIG. 20 is a cross-sectional view showing the buckle attached to a belt or the like.

The broken line showing of a belt, FIGS. 19 and 20, is for illustrative purposes only and forms no part of the claimed design.

1 Claim, 10 Drawing Sheets

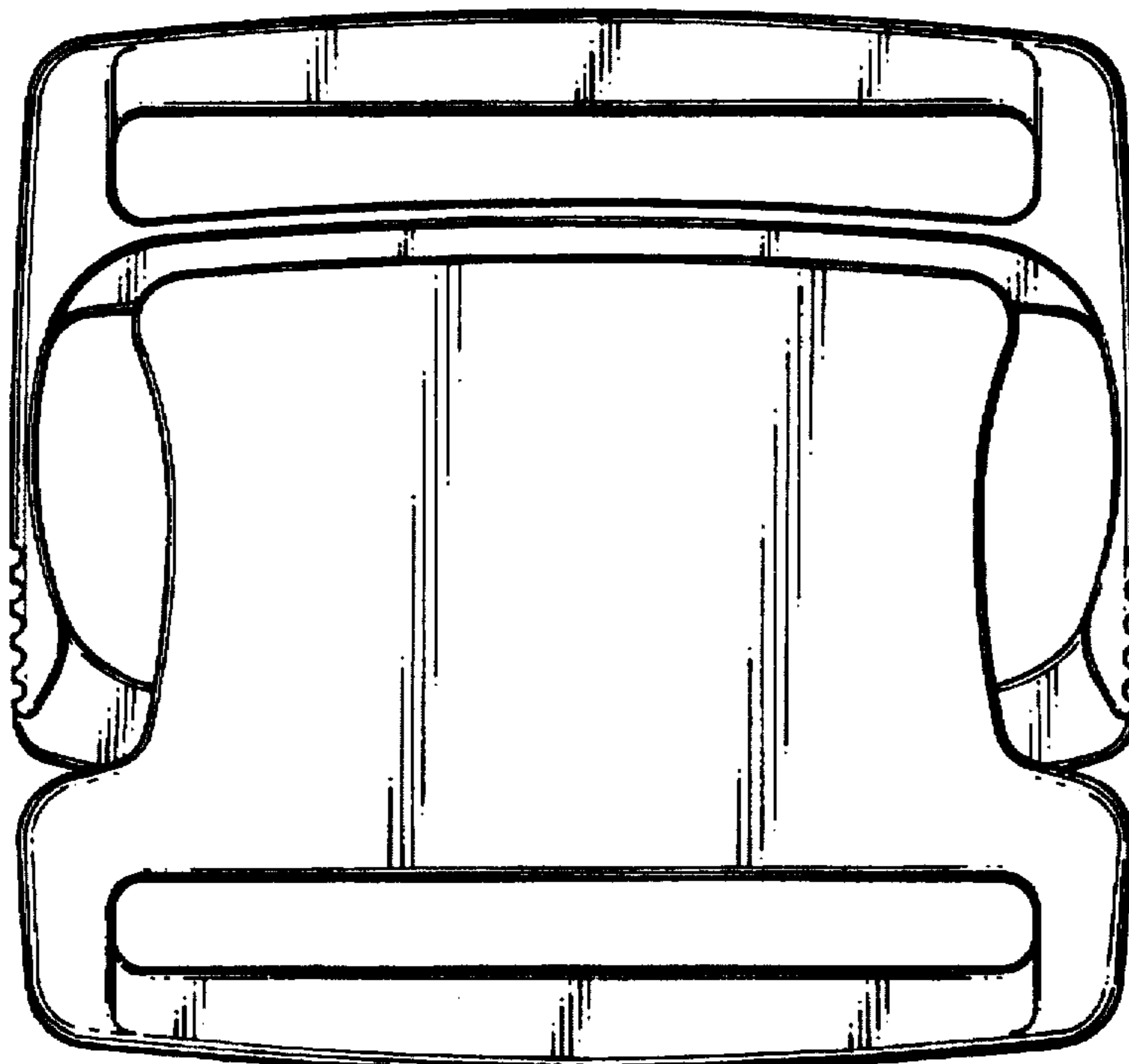


FIG. 1

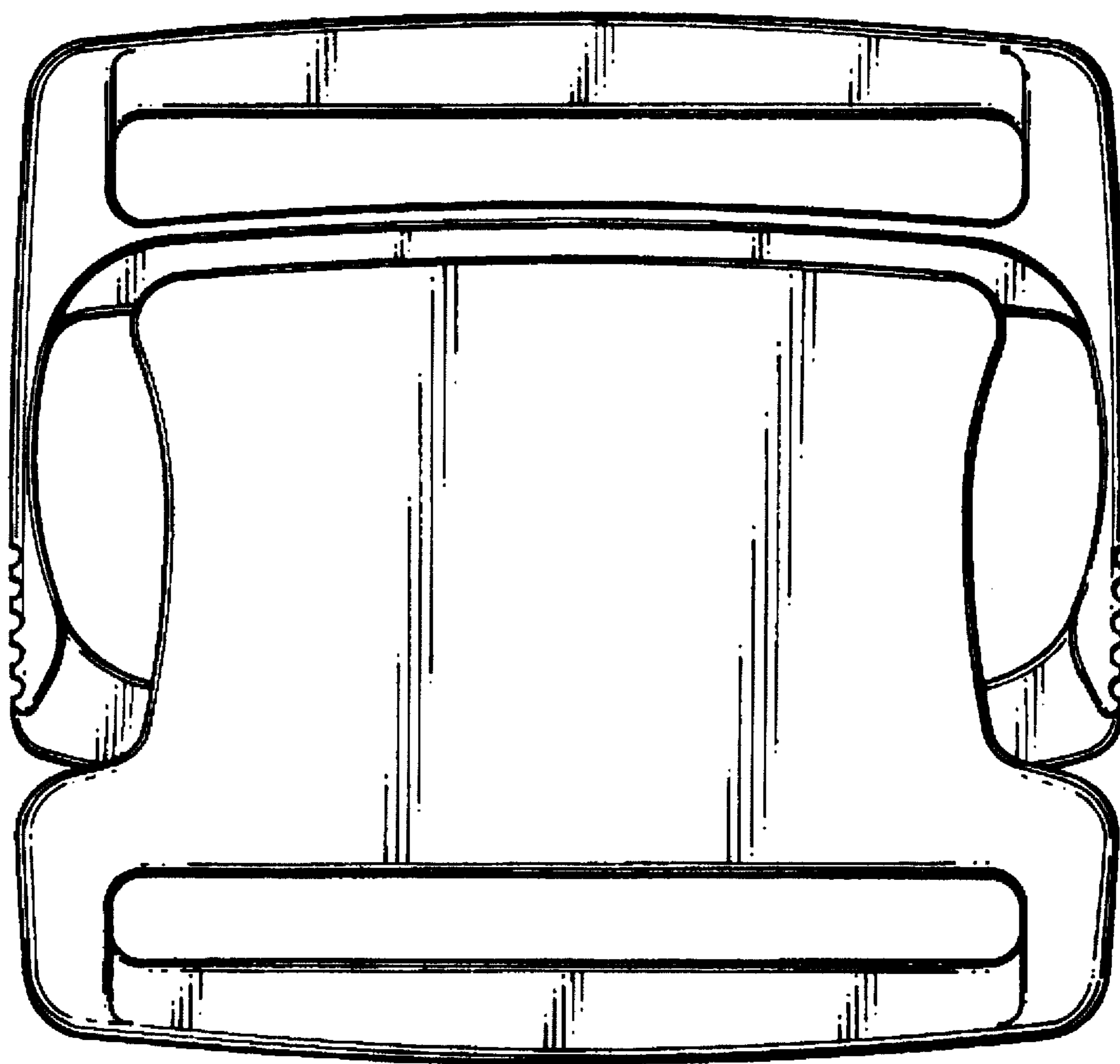


FIG. 2

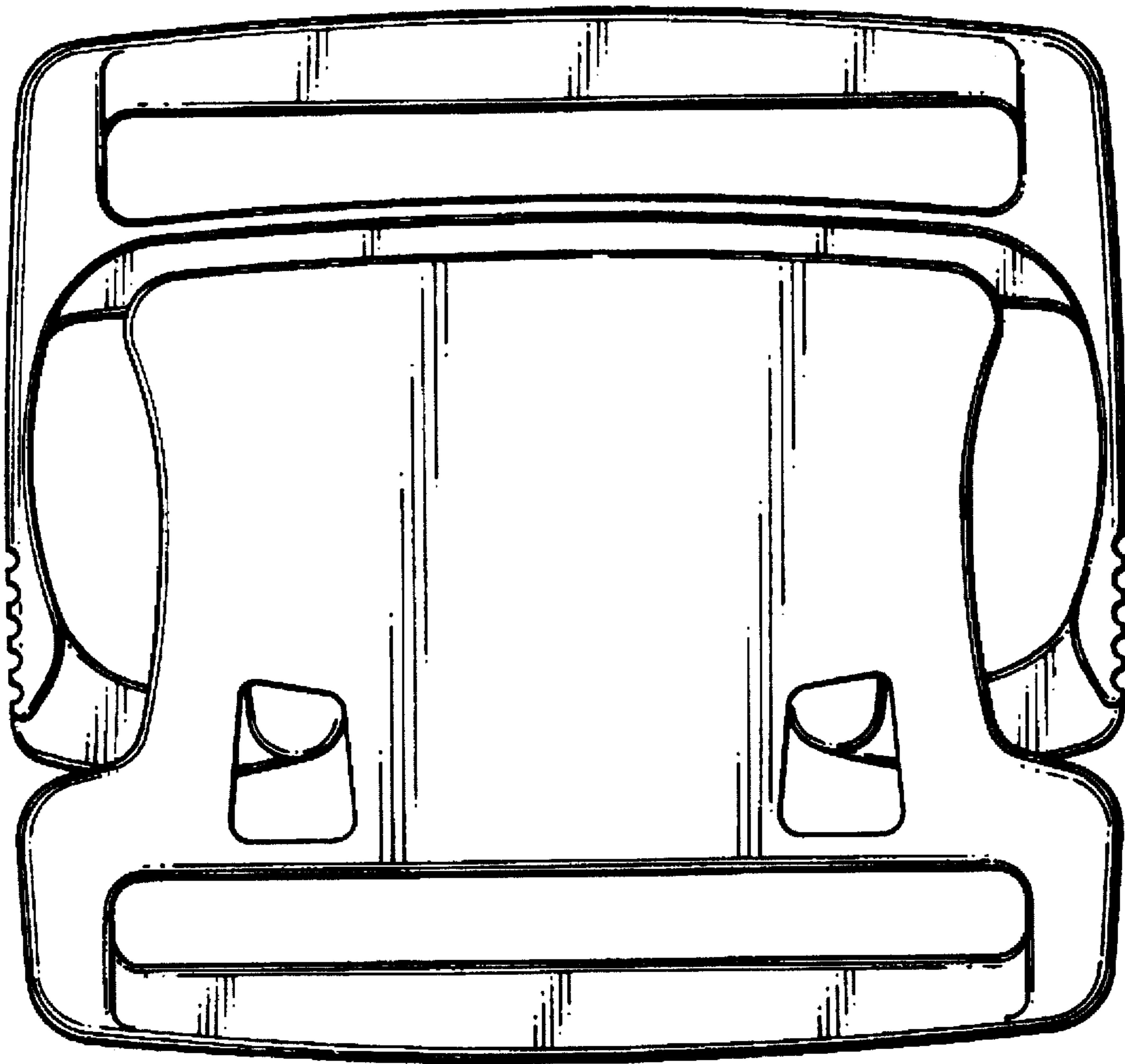


FIG. 3

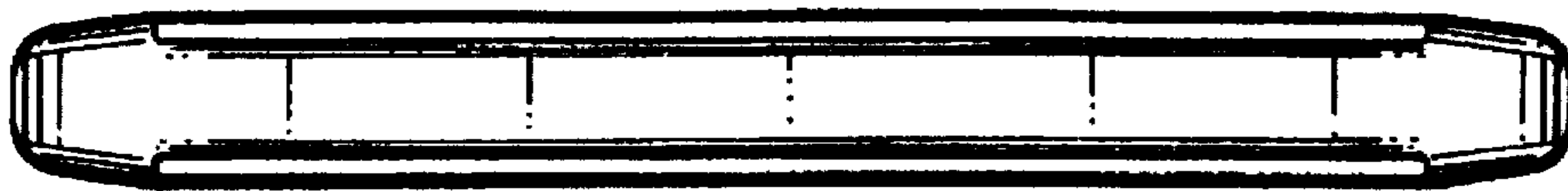


FIG. 4

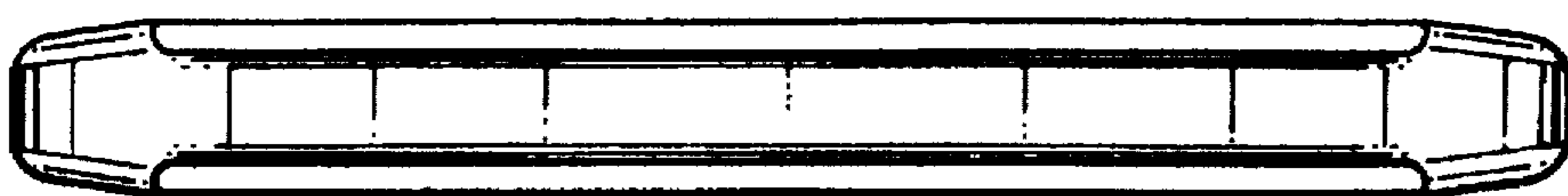


FIG. 5

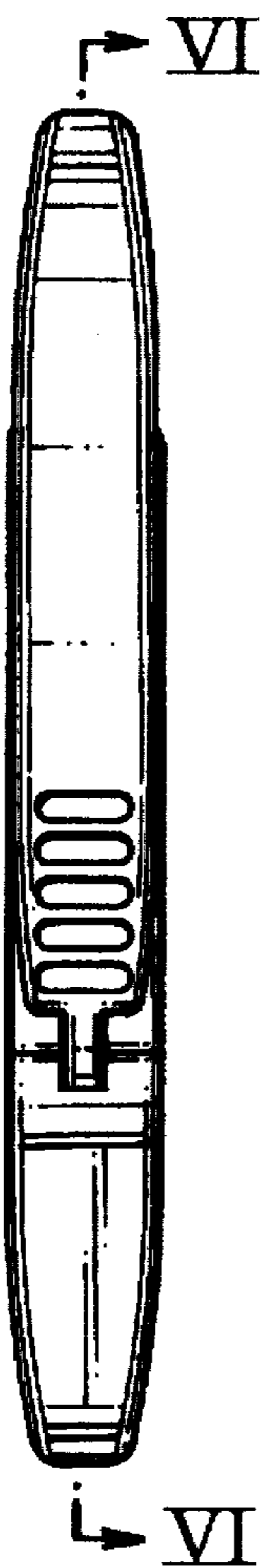


FIG. 6

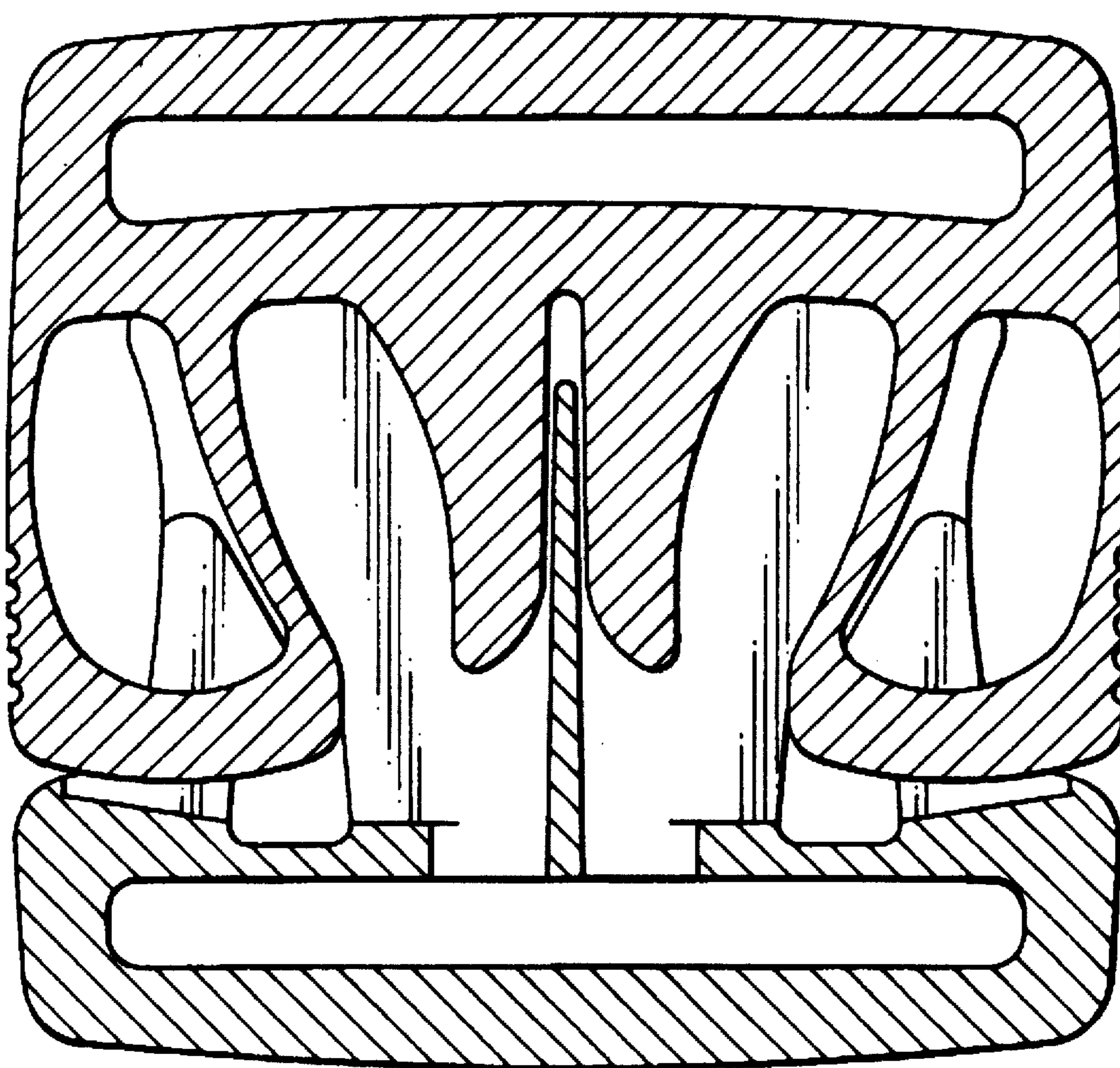


FIG. 7

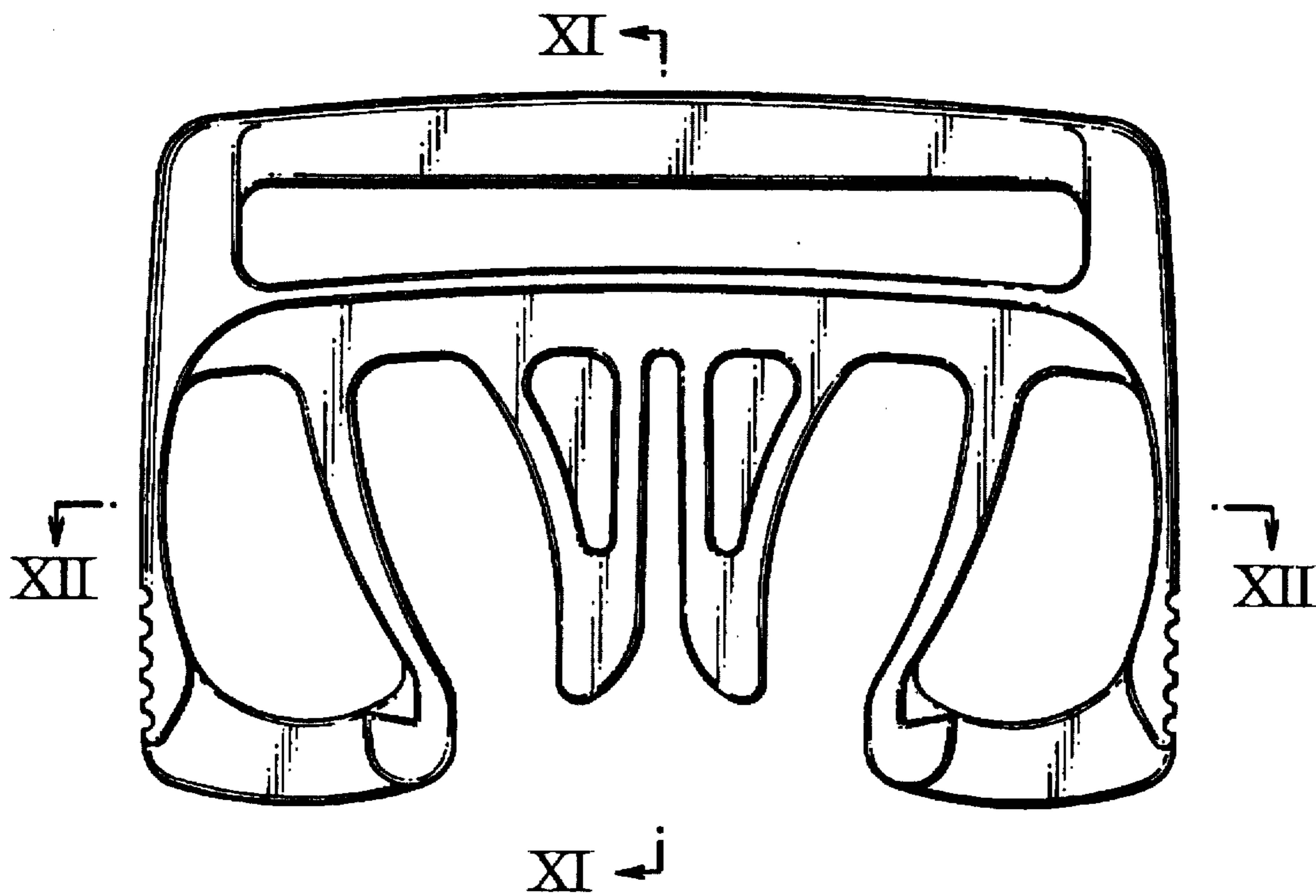


FIG. 8

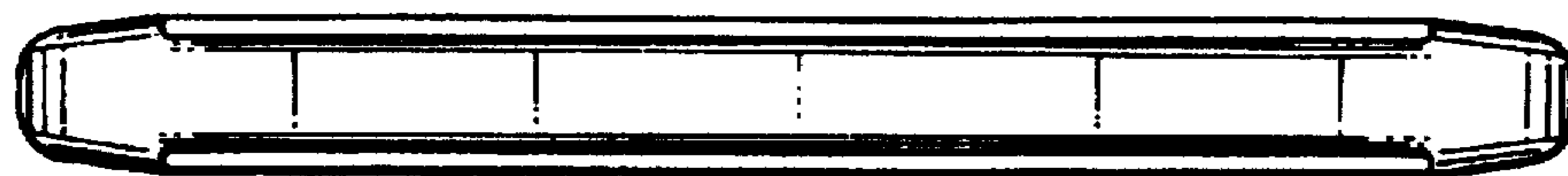


FIG. 9

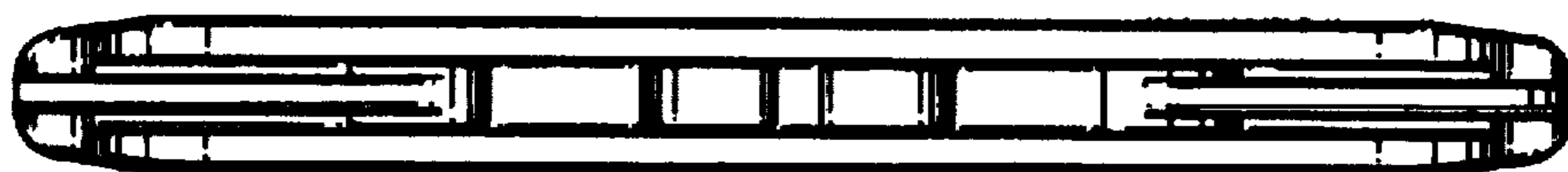


FIG.10



FIG.11

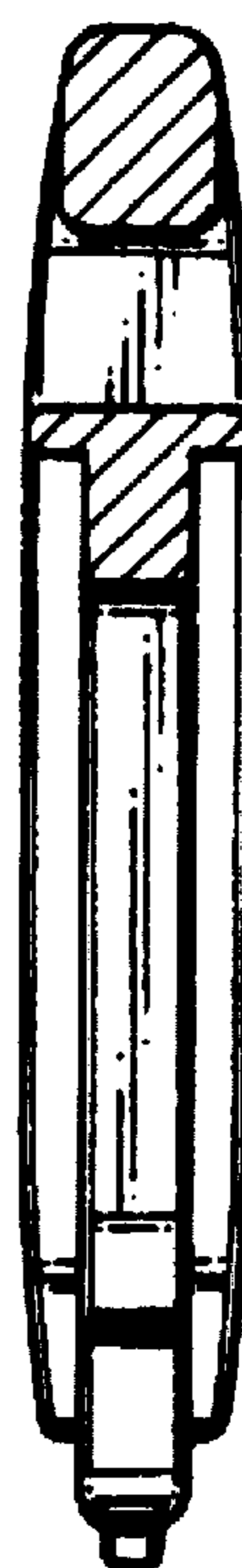


FIG.12



FIG. 13

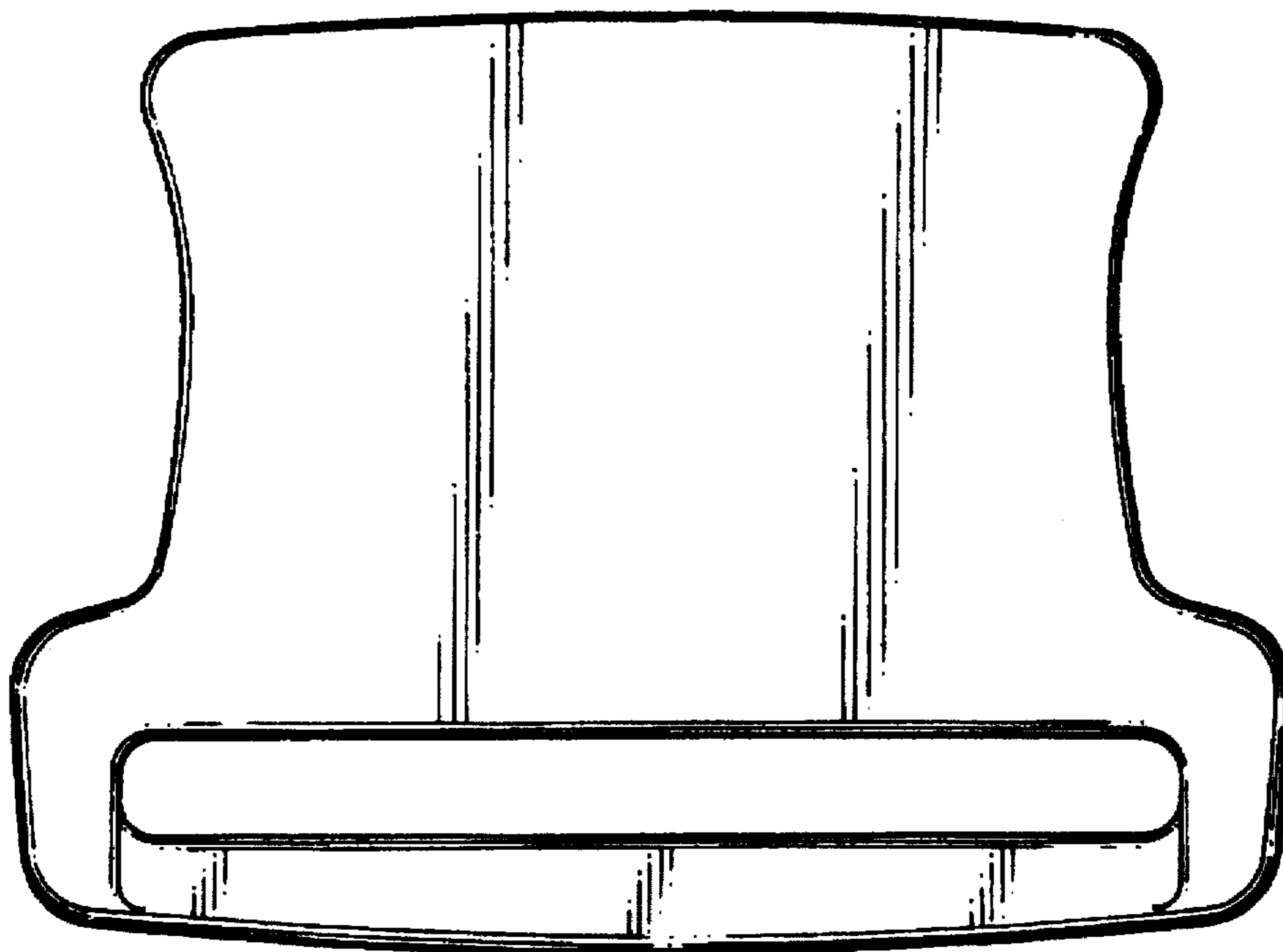


FIG. 14

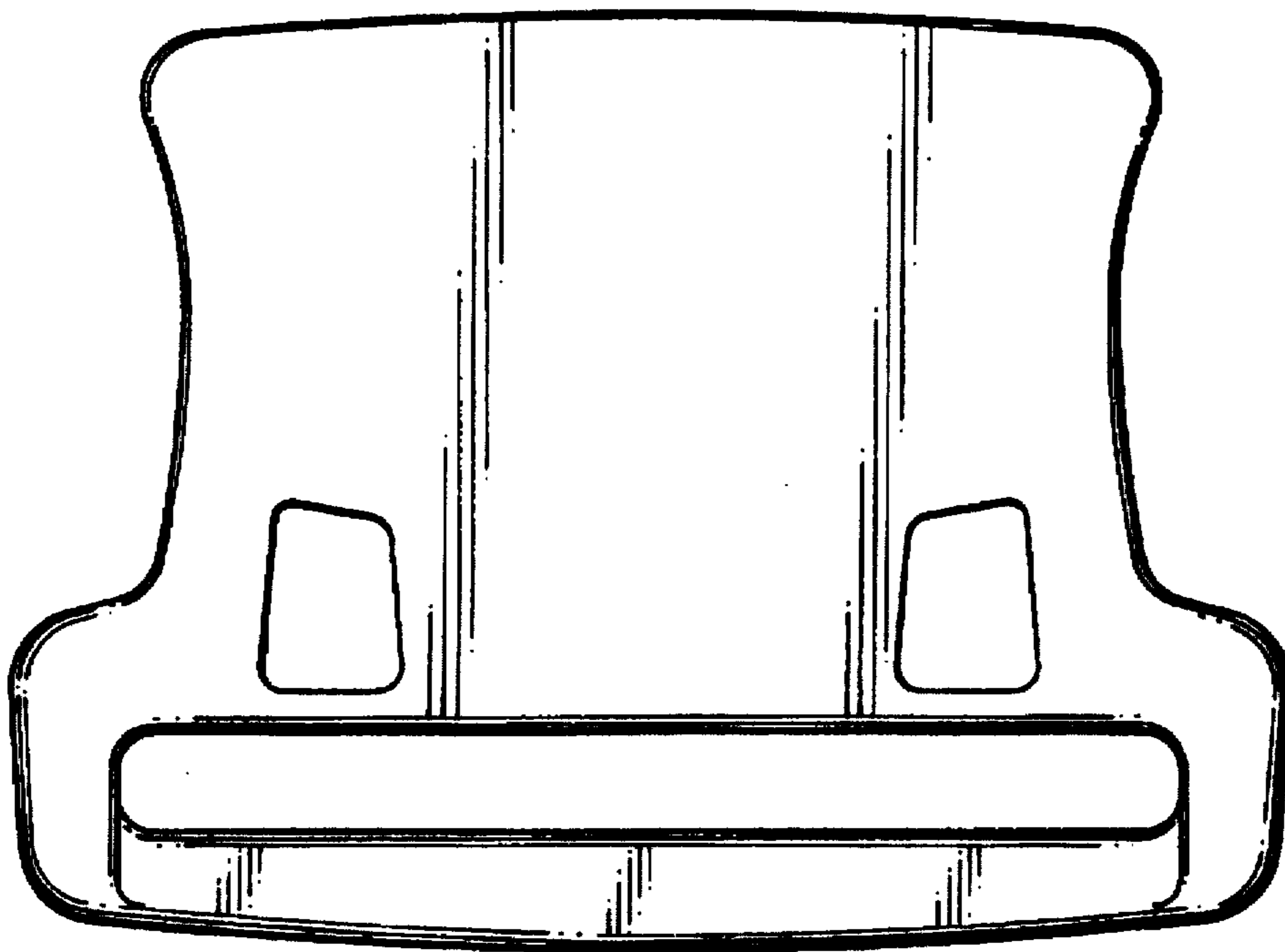


FIG. 15



FIG. 16

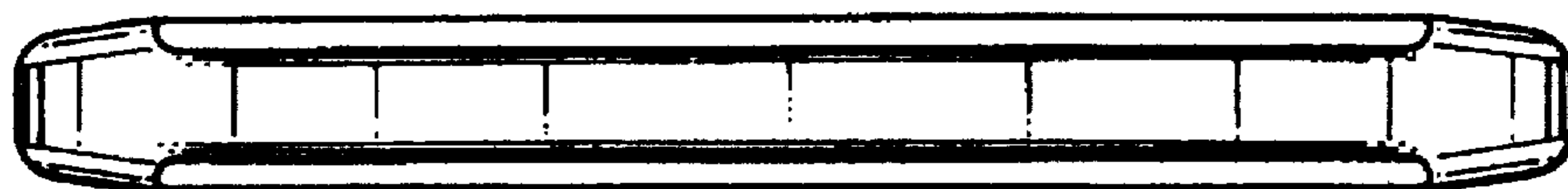


FIG. 17

XVIII



XVIII

FIG. 18

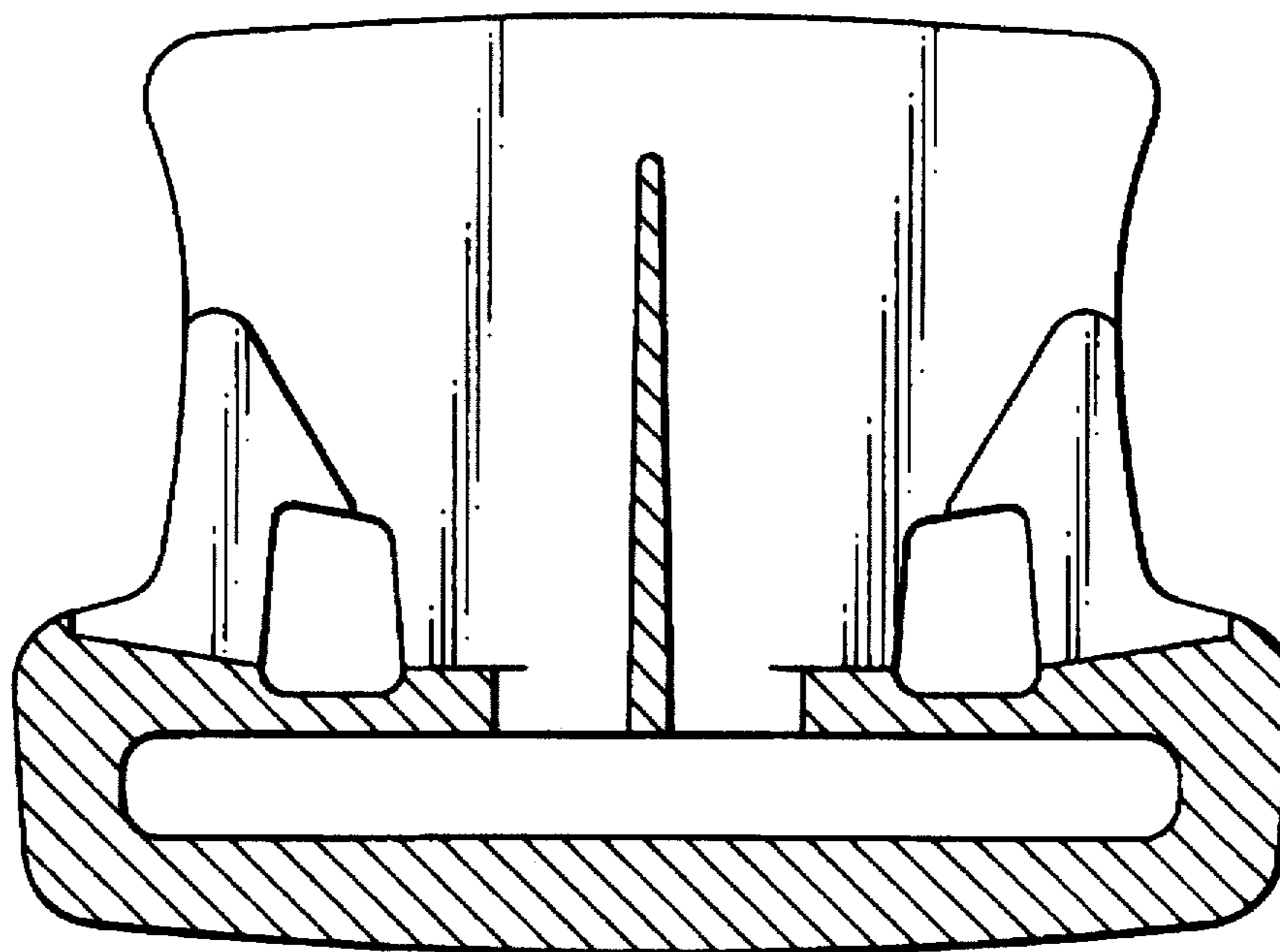


FIG. 19

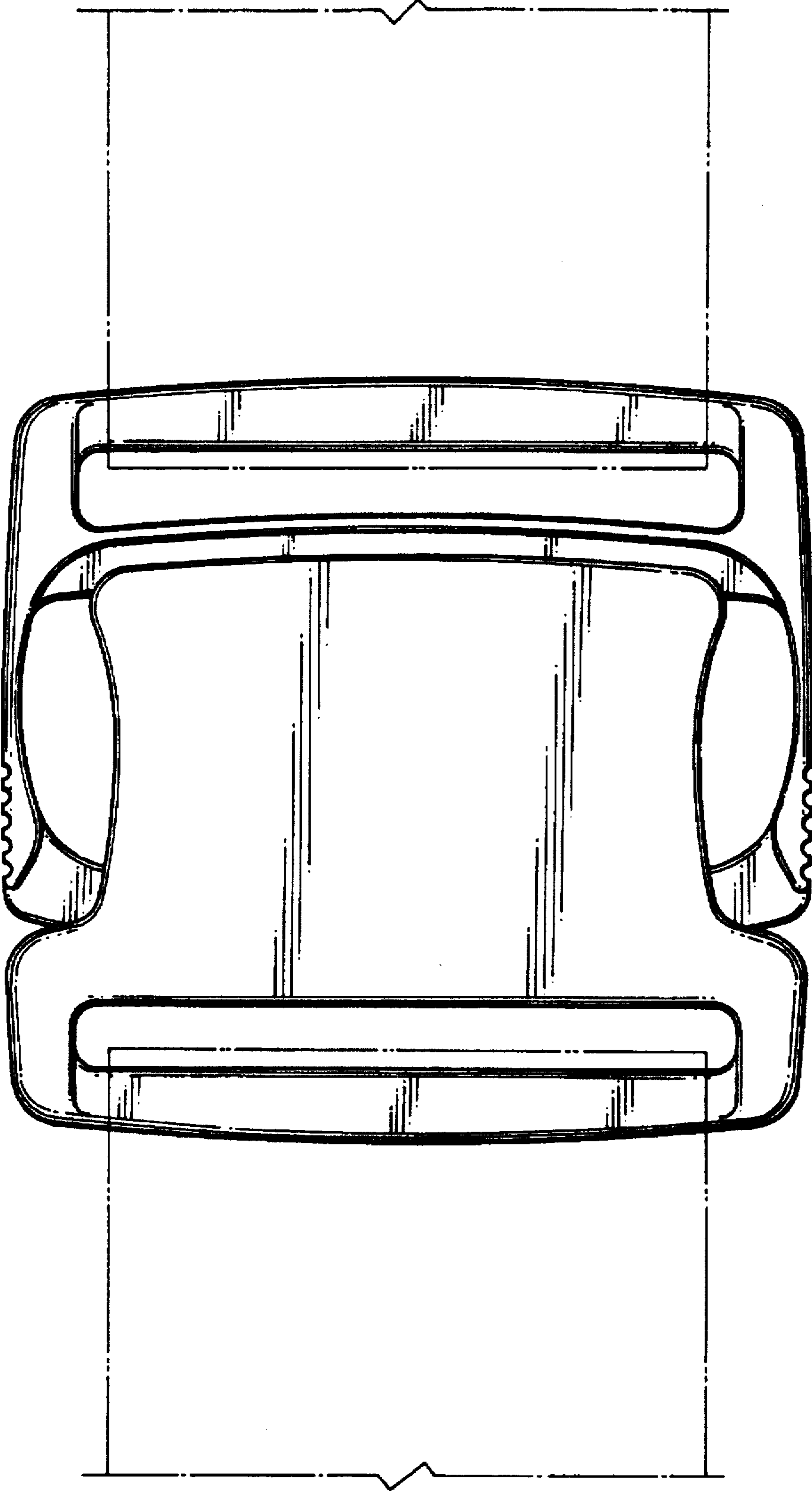


FIG. 20

